

RAKAIA

Wind and Fixing Specifications

BelAire[®]
DESIGNER FENCING

...make it your own!

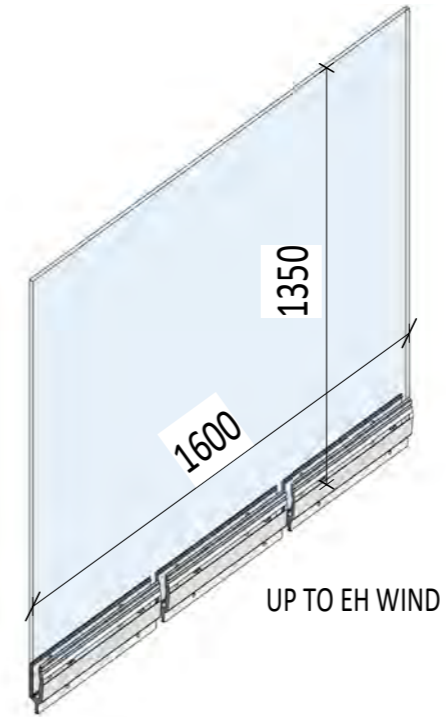
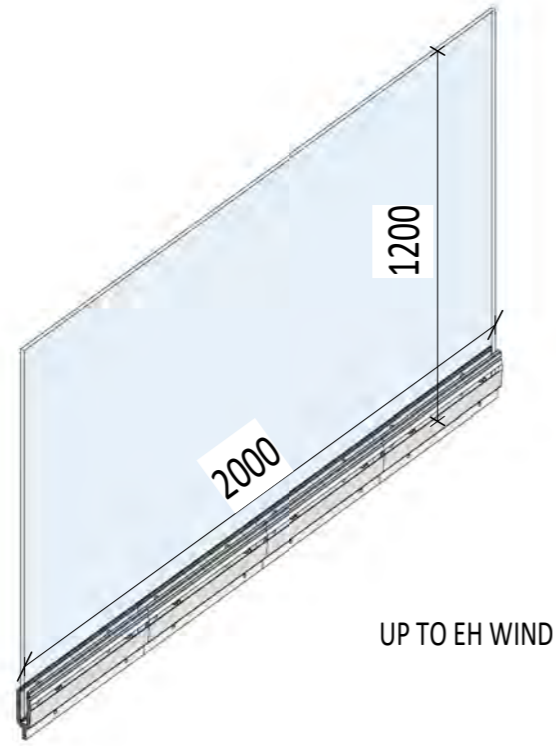
Max Panel Sizes for **VH** Wind Zones Balustrade

	Channel	1000mm high Glass	1200mm High Glass	1350mm High Glass	Occupancy	Fixing Wet Timber	Fixing Dry Timber	Concrete	Edge distance Timber	Edge Distance Concrete
Rakaia Balustrade	Channel	1600W	1600W	1600W	A,B,E,C3	M8 x 140 Spax top fixing M10 x 140 Lag Screw bottom fixing	M8 x 140 Spax top fixing M10 x 140 Lag Screw bottom fixing	M8 x 75 Concrete Screw top fixing M10 x 70 Threaded rod with Chemset	40	50
Rakaia Pool Fence	Channel	1600W	1600W	1600W					40	50

Max Panel Sizes for **EH** Wind Zones Balustrade

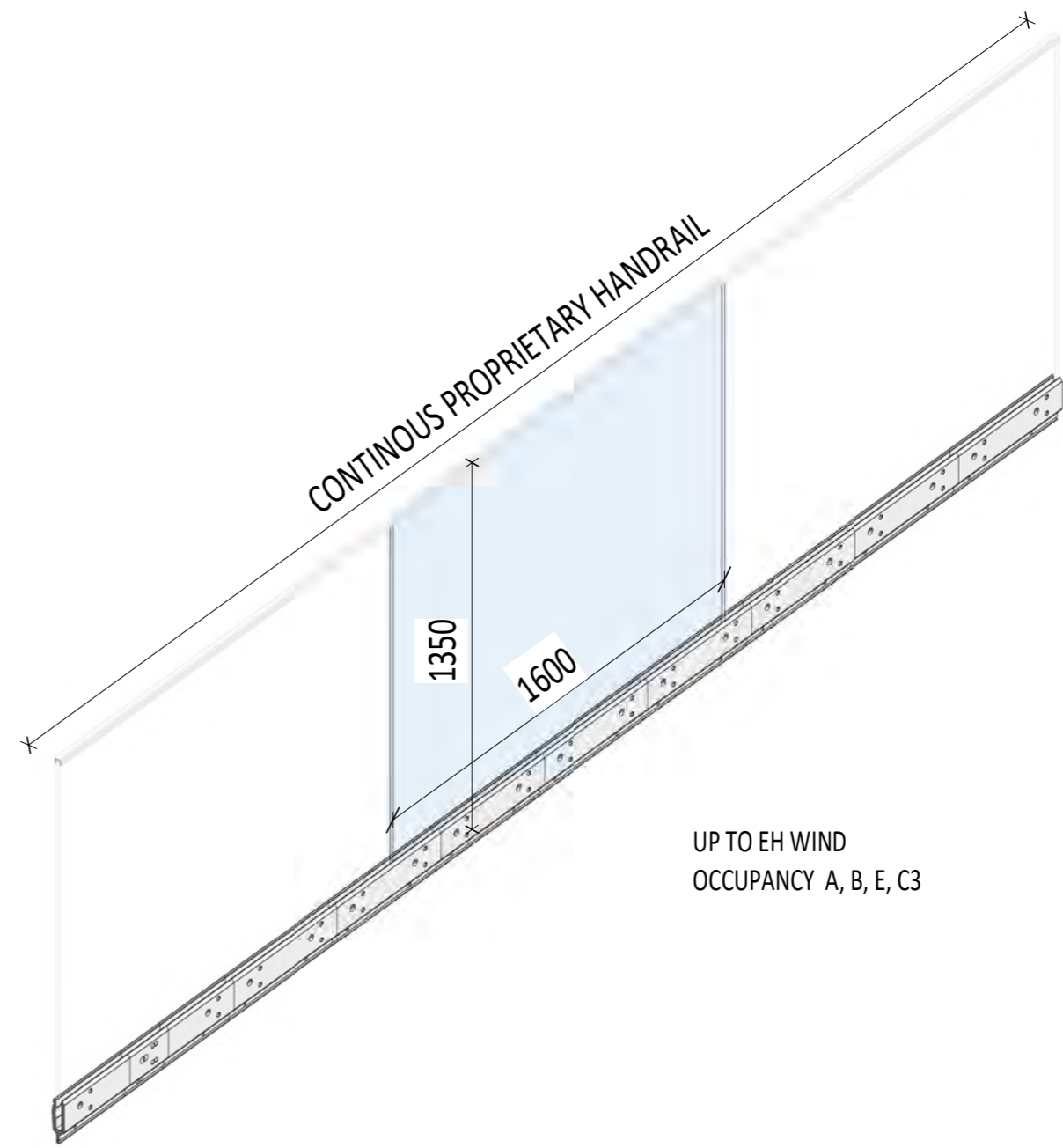
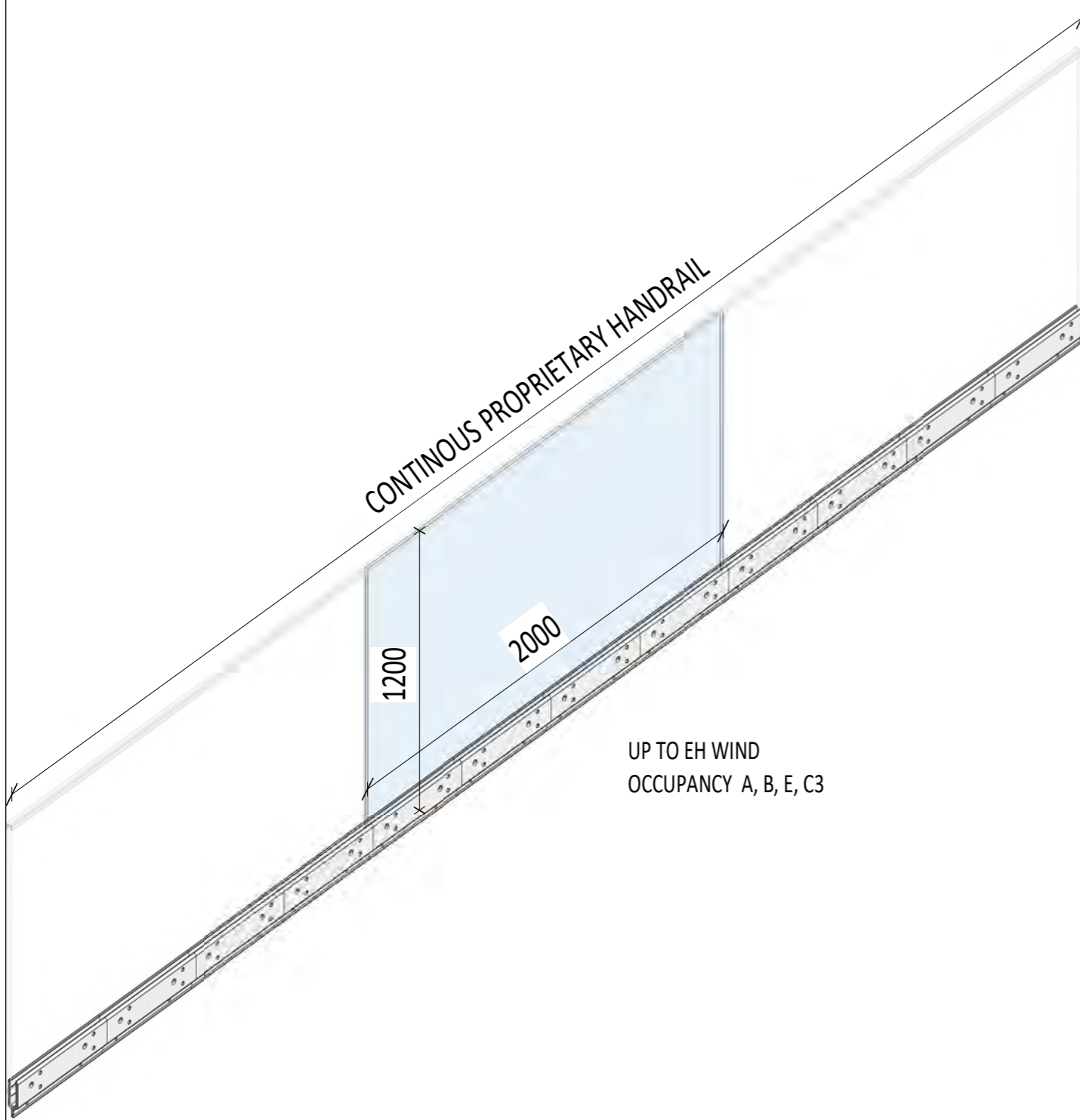
	Channel	1000mm high Glass	1200mm High Glass	1350mm High Glass	Occupancy	Fixing Wet Timber	Fixing Dry Timber	Concrete	Edge distance Timber	Edge Distance Concrete
Rakaia Balustrade	Channel	1600W	1600W	1600W	A,B,E,C3	M8 x 140 Spax top fixing M10 x 140 Lag	M8 x 140 Spax top fixing M10 x 140 Lag	M8 x 75 Concrete Screw top fixing M10 x 70 Threaded rod with	40	50
Rakaia Pool Fence	Channel	1600W	1600W	1600W					40	50

BelAire Rakaia Pool Fencing Wind Zones



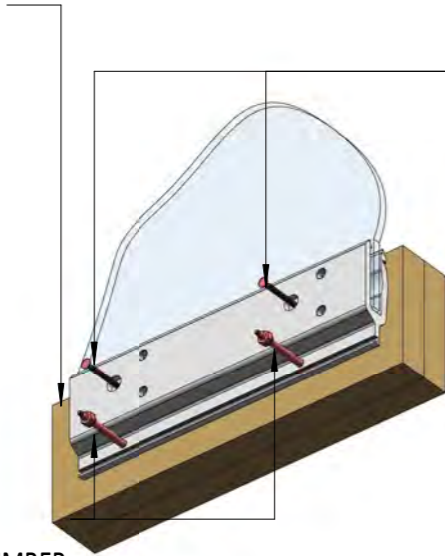
REF.	DESCRIPTION	DATE
R.1	MINOR AMENDMENTS	220525
R.2	FIXING ADDED	220919
R.3	ONCRETE FIXING REVISED	221202
scale: @A3	drawn: AM checked: PM status: P	project no: 20073 drg no: RF01 rev: R.3

BelAire Rakaia Balustrade Wind Zones



REF.	DESCRIPTION	DATE
R.1	MINOR AMENDMENTS	220525
R.2	FIXING ADDED	220919
R.3	ONCRETE FIXING REVISED	221202
scale: @A3	drawn: AM	checked: PM
	status: P	project no: 20073
	drg no: RB01	rev: R.3

MIN. SG8 TIMBER BY DESIGNED BY OTHERS TO BE SUFFICIENTLY STRONG AND STIFF TO SUPPORT THE BALUSTRADE



OPTION 1

M10 TREADED ROD STAINLESS STEEL (A4) 2/NUTS E/S OF THE CHANNEL AND 2/NUTS+SQ. WASHERS E/S OF TIMBER

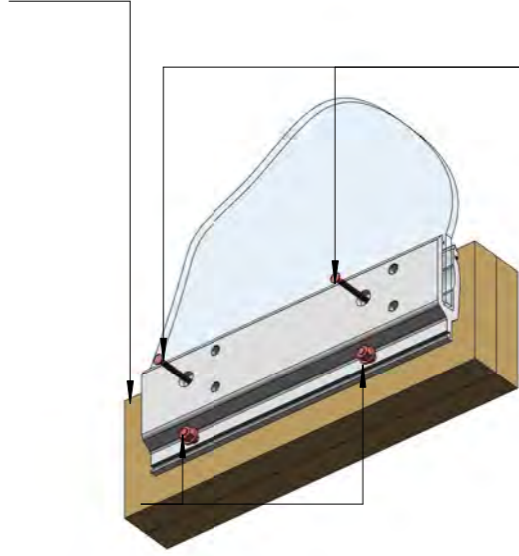
8x140 COUNTERSUNK SCREWS BY SPAX (STAINLESS OR DELTA SEAL) LENGTH OF THREAD PENETRATION INTO TIMBER MIN. 100mm

Storetech Sku for screw is SCETCSK - 8X140 Spax

MIN. 40mm EDGE DISTANCE

SEPARATION BETWEEN BOLT HEAD AND GLASS TO BE MAINTAINED.

MIN. SG8 TIMBER BY DESIGNED BY OTHERS TO BE SUFFICIENTLY STRONG AND STIFF TO SUPPORT THE BALUSTRADE



M10 X 140 LAG SCREW HEX DRIVE STAINLESS STEEL (A4) 2/NUTS E/S OF THE CHANNEL LENGTH OF THREAD PENETRATION INTO TIMBER MIN. 85mm

STORETECH SKU FOR SCREW IS SCELAG140 - 10X140 SPAX OPTION 2

8x140 COUNTERSUNK SCREWS BY SPAX (STAINLESS OR DELTA SEAL) LENGTH OF THREAD PENETRATION INTO TIMBER MIN. 100mm

Storetech Sku for screw is SCETCSK - 8X140 Spax

MIN. 40mm EDGE DISTANCE

SEPARATION BETWEEN BOLT HEAD AND GLASS TO BE MAINTAINED.

STORETECH SKU FOR SCREW IS SCETHR10

CONNECTION TO TIMBER

MECHANICAL ANCHORS:

HUS-CR 8 x 75 STAINLESS STEEL (A4) BY HILTI MIN. 80mm EMBEDMENT OR

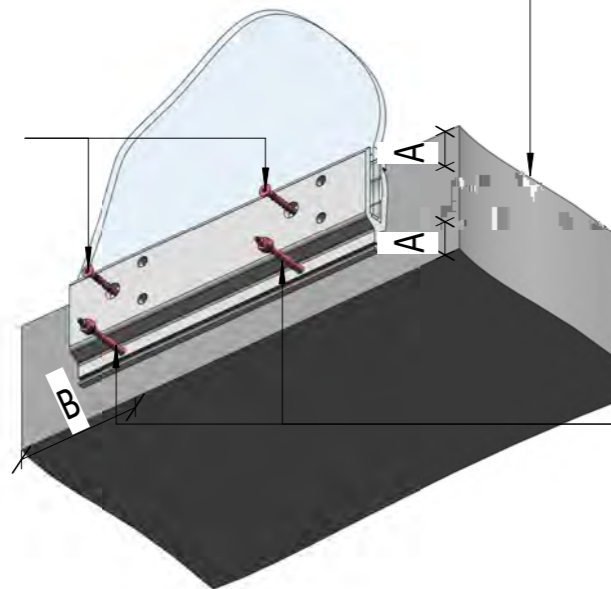
TOGE TSM CSK 8 x 65 A4 STAINLESS STEEL BY ICCONS, MIN.65mm INTO CONCRETE

STORETECH SKU - SCECCSA M8X95 STAINLESS COUNTERSUNK CONCRETE ANCHOR

A - EDGE DISTANCE MIN. 50mm B - CORNER DIST. MIN. 100mm

SEPARATION BETWEEN BOLT HEAD AND GLASS TO BE MAINTAINED.

CONNECTION TO CONCRETE



MIN. 25MPA CONCRETE MIN. 190mm THK. DESIGNED BY OTHERS TO HAVE SUFFICIENT STRENGTH AND RIGIDITY TO SUPPORT THE BALUSTRADE

CHEMICAL ANCHORS: HIT-HY 200-R V3 INJECTION MORTAR + HAS-U M10 x 95 TREADED ROD STAINLESS STEEL(A4) BY HILTI MIN. 60mm EMBEDMENT OR B+BTec BIS-HY GEN2 INJECTION MORTAR + M10 THREADED RODS 316/A4-70 STAINLESS STEEL BY ICCONS, MIN.60mm INTO CONCRETE

STORETECH SKU FOR SCREW IS SCECHEM - CHEMSET THREADED ROD SCETHR10

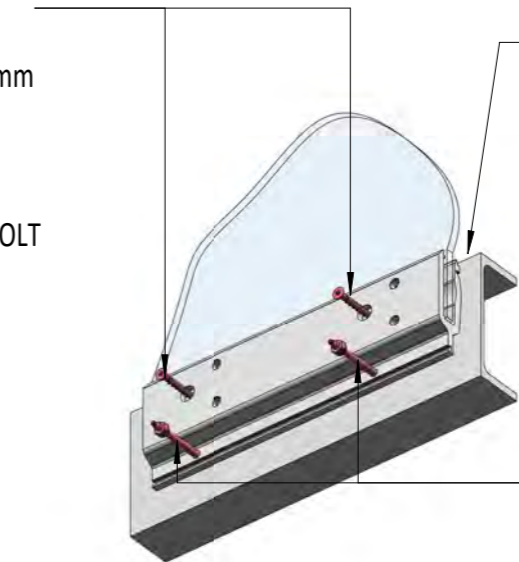
A - EDGE DISTANCE MIN. 50mm B - CORNER DIST. MIN. 100mm

M10 CSK STAINLESS STEEL SOCKET SCREWS

MIN. EDGE DISTANCE 15mm

SEPARATION BETWEEN BOLT HEAD AND GLASS TO BE MAINTAINED.

STORETECH SKU N/A



STRUCTURAL STEELWORK DESIGNED BY OTHERS TO HAVE SUFFICIENT STRENGTH AND RIGIDITY TO SUPPORT THE BALUSTRADE

M10 STAINLESS STEEL (A4) BOLTS, NUT E/S OF THE CHANNEL AND E/S OF SUPPORTING STEEL

CONNECTION TO STRUCTURAL STEEL

IMPORTANT INSTALLATION INSTRUCTIONS:

ALL PROPRIETARY PRODUCTS INCLUDING ANCHORS MUST BE INSTALLED IN STRICT ORDER WITH MANUFACTURER PROCEDURES.



7 Market Street Napier. 4110

m. 0210398833, m.0211099712 www.extra-mile.co.nz, info@extra-mile.co.nz

Client: STORETECH LIMITED

Project: RAKAIA CHANNEL

Drawing: BALUSTRADE CONNECTION DETAILS

REF.	DESCRIPTION	DATE
R.1	MINOR AMENDMENTS	220525
R.2	FIXING ADDED	220919
R.3	ONCRETE FIXING REVISED	221202
scale: @A3	drawn: AM checked: PM status: P project no: 20073 drg no: RB02 rev: R.3	