

STRATLOCK RAIL SYSTEM

SL-RCA180 PRODUCT GUIDE

STRATLOCK

SL-RCA180 Adjustable wall to ceiling connector

The SL-RCA180 is a 180° adjustable connector that pairs with the SL-RCF90 to create a wall to ceiling, perpendicular connection. Made of diecast aluminium alloy ADC12. Fits into SL-RLE profile end. Installs with provided small hex head grub screw (stainless steel), and installs into SL-RCF90 with supplied socket screws.

BENEFITS

- Enables simple construction of wall to ceiling corner with only 2 parts
- No additional machining required
- Direct fixing into profile groove & end
- Stability nogs
- Minimal construction effort
- Screws into position with provided grub screw
- 180° adjustability
- No special tools required for installation
- Diecast aluminium alloy ADC12
- Simple assembly, reversible installation
- Enables pre-assembly

APPLICATIONS

- Modular construction
- Blind walls & ceilings
- Contract interior fit out
- Hotels, hospitals, retail, residential
- Exhibitions

SL-RCA180



USE WITH:

SL-RLE SL-RCF90



MATERIAL:

Diecast aluminium alloy ADC12

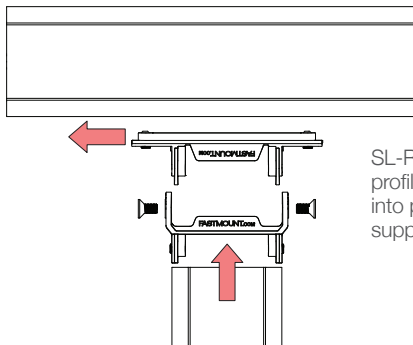
MORE INFO:

Installation Guide SL-RCA180

INSTALLATION: Partially exploded through section showing typical installation method

WALL TO CEILING CONNECTIONS

Corner connector with 180° adjustability for perpendicular rails.



SL-RCA180 slides into profile groove, SL-RCF90 into profile end, fastens with supplied grub screws.

