

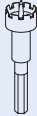



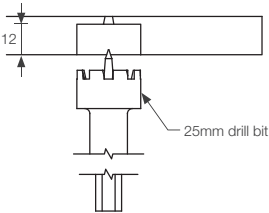
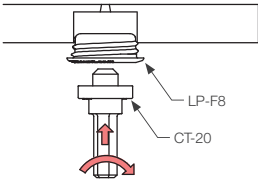
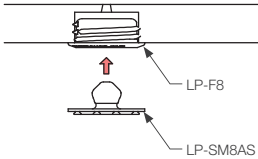
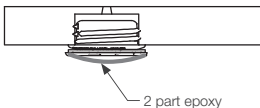
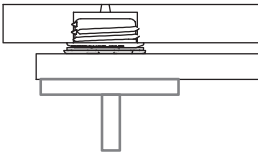
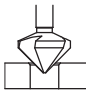
LOW PROFILE LP RANGE

LP-F8 & LP-SM8A INSTALLATION GUIDE

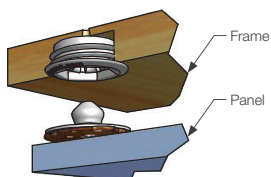
LP-F8 & LP-SM8A Self tapping female and surface mount male

LP-F8 	USE WITH: LP-SM8AS 	INSTALL WITH: 25Ø drill CT-19  
---	---	---

INSTALLATION STEPS Using LP-SM8AS - adhesive fix option

<p>1 Drill 25Ø hole in frame</p>  <p>12</p> <p>25mm drill bit</p>	<p>2 Screw LP-F8 into frame. use battery drill with clutch set.</p>  <p>LP-F8</p> <p>CT-20</p>	<p>3 Fit LP-SM8AS into LP-F8</p>  <p>LP-F8</p> <p>LP-SM8AS</p>
<p>4 Adhesive to LP-SM8AS</p>  <p>2 part epoxy</p>	<p>5 Drill panel on mark with CT-09</p>  <p>Place panel in position, and support while adhesive dries</p>	<p>Install Note: CT-12 to CSK hole edge in hard material (1-2mm)</p> <p>For more solid substrates such as fibreglass, use a 27 x 3mm tap to pre-thread the hole before installing the LP-F8</p> 

A Cutaway view of installed clip (panel removed)



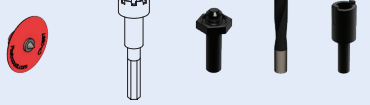


MORE INFO: Clip Layout guide TD-02 & TD-08

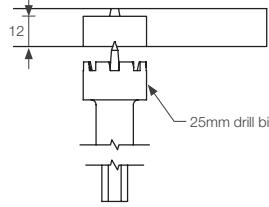
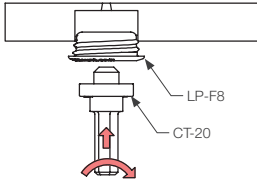
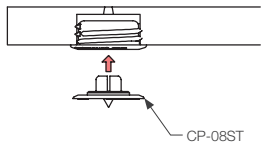
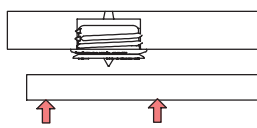
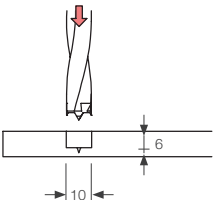
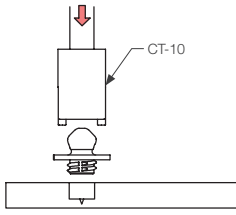
LOW PROFILE LP RANGE

LP-F8 & LP-M8A INSTALLATION GUIDE

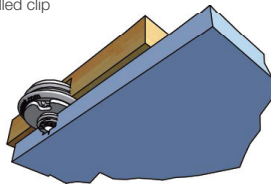
LP-F8 & LP-M8A Self tapping male and female

LP-F8	USE WITH:	INSTALL WITH:
	LP-M8A 	CP-08ST 25Ø drill CT-19 CT-09 CT-10 

INSTALLATION STEPS Using LP-M8A - self tapping option

<p>1 Drill 25Ø hole in frame</p> 	<p>2 Screw LP-F8 into frame. Use battery drill with clutch set.</p> 	<p>3 Fit CP-08ST centre point into LP-F8</p> 
<p>4 Press panel onto CP-08ST to mark</p> 	<p>5 Drill panel on mark with CT-09</p> 	<p>6 Screw fit LP-M8A with CT-10. Use battery drill with clutch set.</p> 

A Cutaway view of installed clip



Install Note: CT-12 to CSK hole edge in hard material (1-2mm)

For more solid substrates such as fibreglass, use a 27 x 3mm tap to pre-thread the hole before installing the LP-F8



MORE INFO: Clip Layout guide TD-02 & TD-08