

# Lexan Thermoclick applications in detail



Australian owned

Ampelite Australia Pty Ltd

ABN 91 487 122 629

**VIC & TAS** Tel 03 8710 9110 Fax 03 9794 0710

**QLD** Tel 07 3382 8300 Fax 07 3200 8703

**SA & NT** Tel 08 8260 7391 Fax 08 8260 7397

**NZ** Tel 09 634 5366 Fax 09 622 2060

**NSW & ACT** Tel 02 9625 7200 Fax 02 9625 7211

**Nth QLD** Tel 07 4774 5007 Fax 07 4774 7898

**WA** Tel 08 9302 6833 Fax 08 9302 6855

[www.ampelite.com.au](http://www.ampelite.com.au)



Quality Endorsed Company

AS/NZS ISO 9001 QEC 4787

SAI GLOBAL

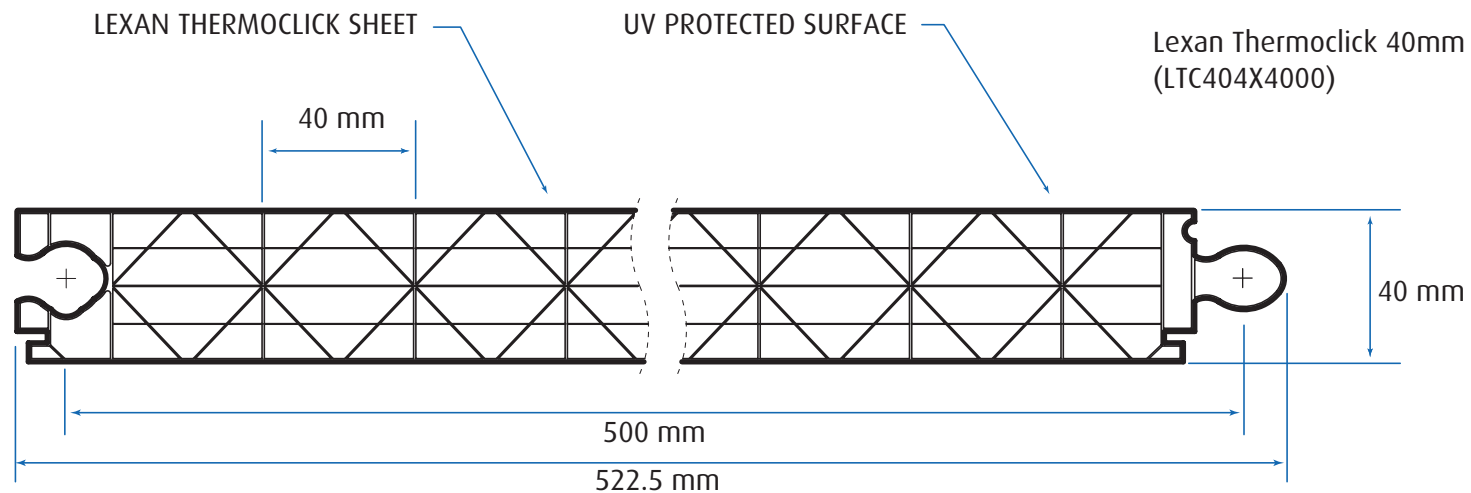
AL\_502-15v1 ©Copyright March 2015

## Ampelite Lexan Thermoclick

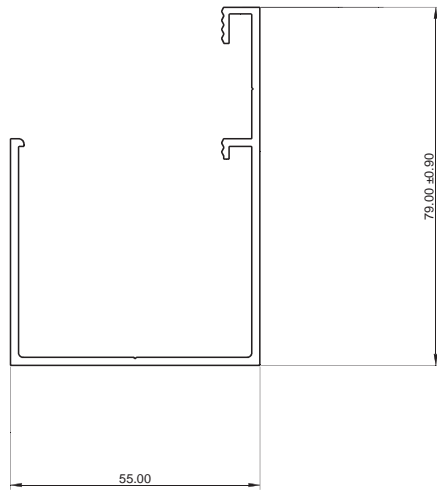
The Lexan Thermoclick is a uniquely engineered thermoplastic product combining exceptional levels of mechanical, optical and thermal properties. Lexan Thermoclick sheet LTC404X4000, is an impact resistant, energy saving multi-wall sheet with a profiled tongue and groove connection. This inter-connecting system eliminates the need for vertical profiles, thereby saving costs and enhancing aesthetics.

The sheeting is 40mm thick, having an effective cover of 500mm and maximum length of 11.8m. Both clear and opal colours are stocked locally and all accessories are produced in Australia. The sheeting has a one side UV protection requiring this side to always remain facing outward.

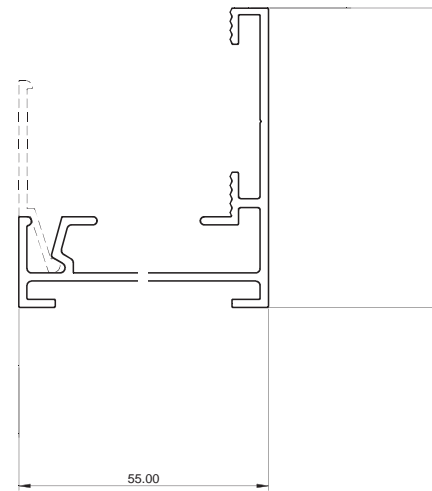
The Lexan Thermoclick sheet profile is:



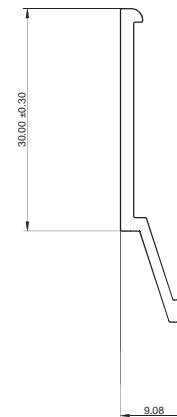
# Accessories



THERMOCLICK - HEAD AND  
SIDE CHANNEL

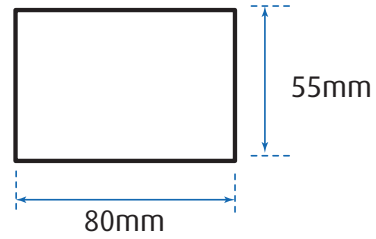


THERMOCLICK - SILL  
CHANNEL

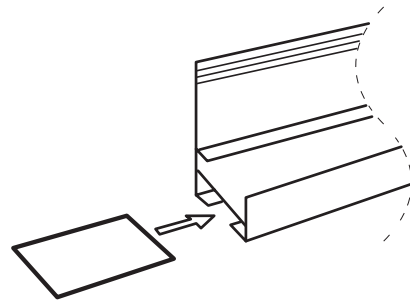


THERMOCLICK SILL COVER

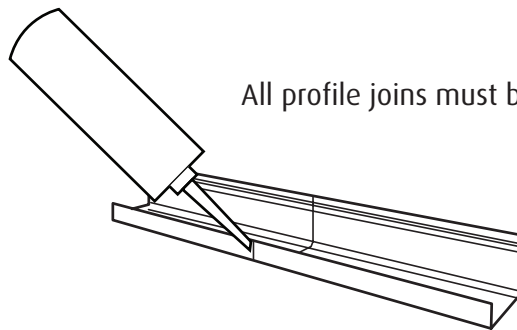
## Accessories



THERMOCLICK CHANNEL JOINER PLATE -  
Connected with riverts or small screws

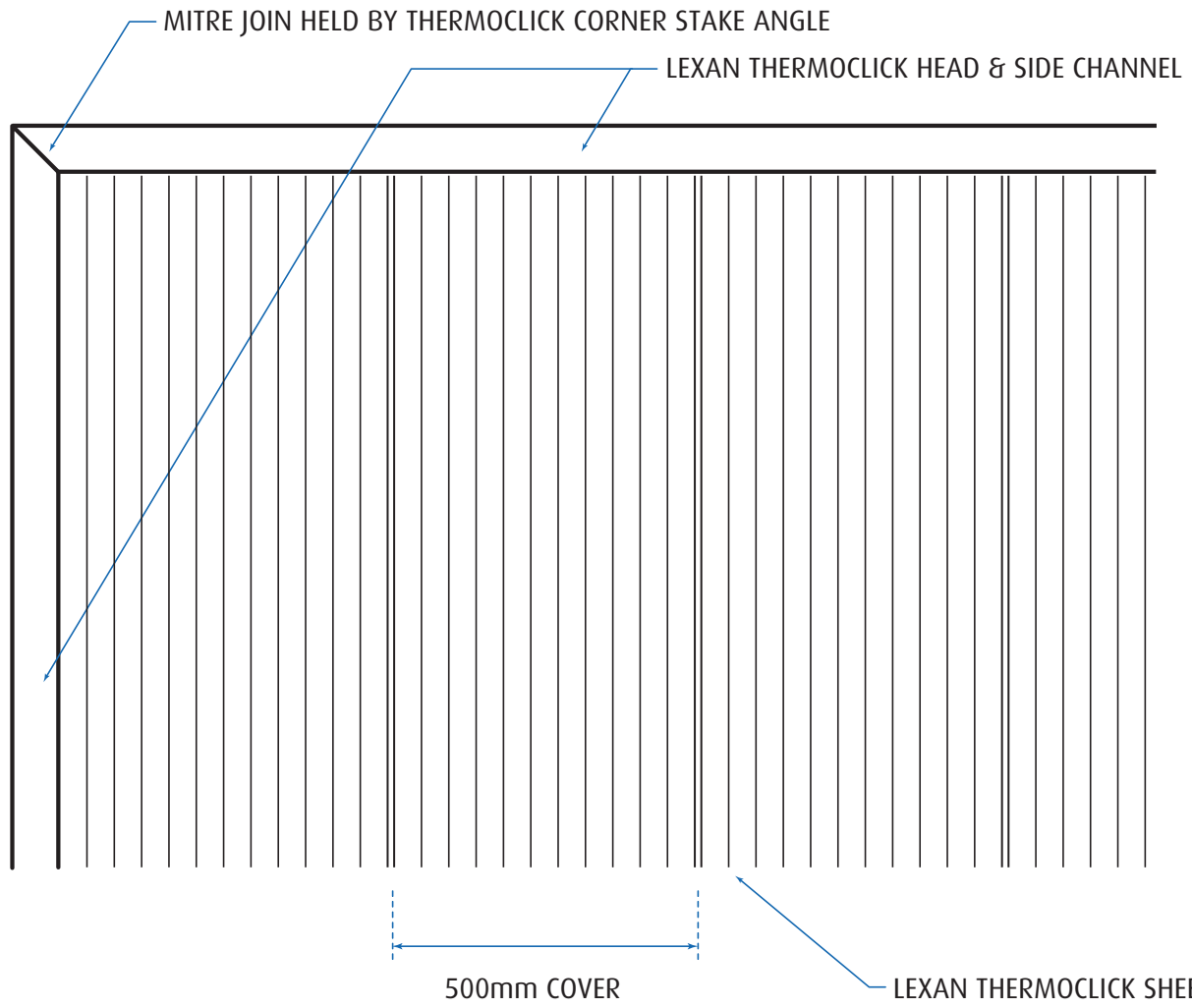


THERMOCLICK SILL CHANNEL

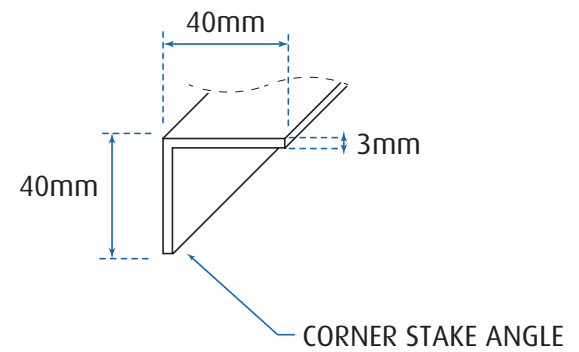


All profile joins must be sealed with silicone

THERMOCLICK HEAD AND SIDE CHANNEL



The Thermoclick Corner Stake Angle is connected with rivets or small screws.



## Channel Corner Detail Thermoclick Profile

March 2015

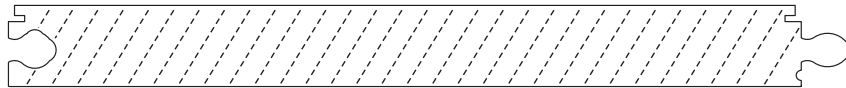
DRAWN - MM

© Ampelite 2015

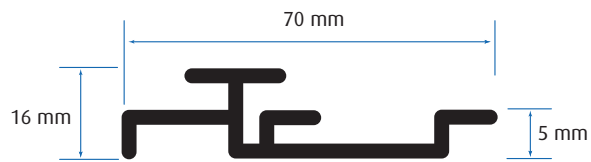
## Accessories



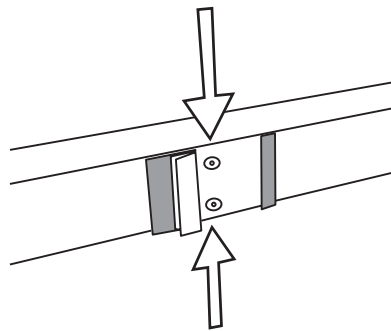
Thermoclick - Sealer Tape



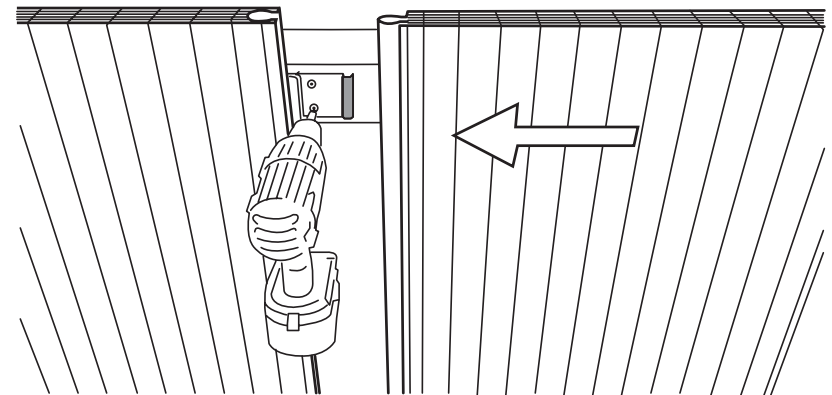
Thermoclick - Breather Tape



Thermoclick - Face Fix Key Bracket

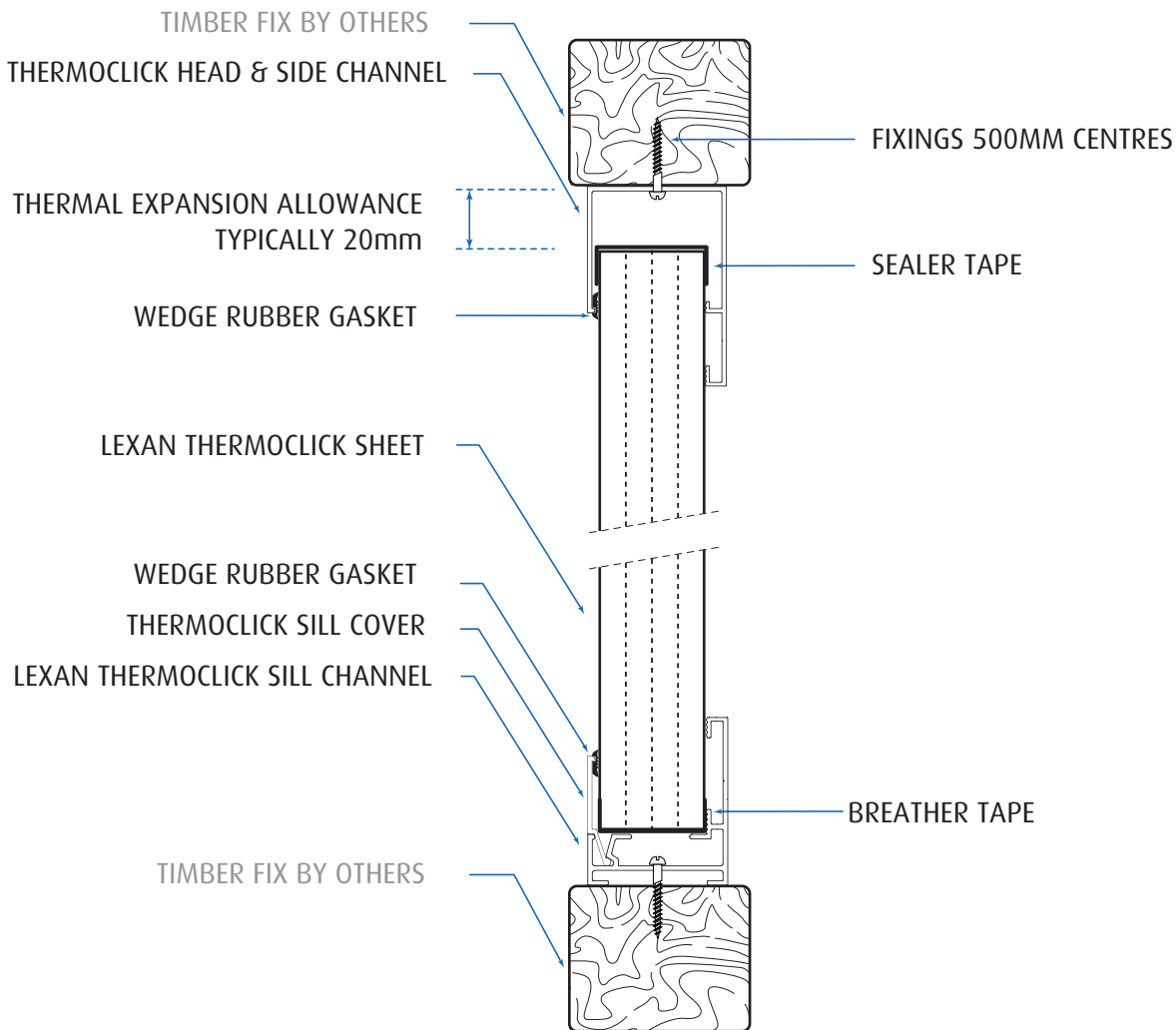


The Thermoclick fix key bracket must be fixed with at least two screws to the purlin.



The Thermoclick fix key bracket must be positioned on the purlin and be pushed against the panel and located in the groove.

OUTSIDE OR  
EXTERNAL FACE

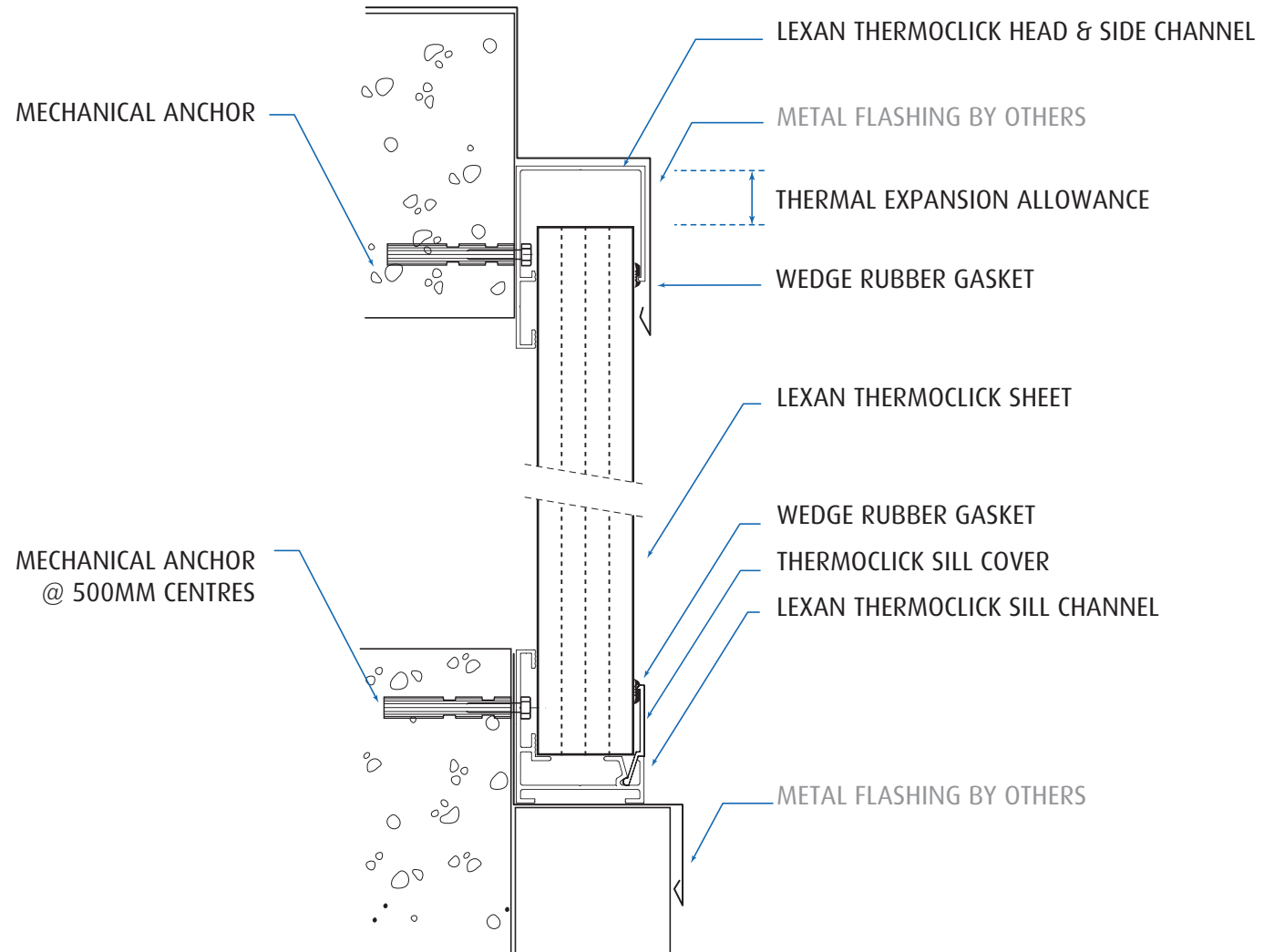


## Typical glazing Detail – 1 Thermoclick Profile

March 2015

DRAWN - MM

© Ampelite 2015



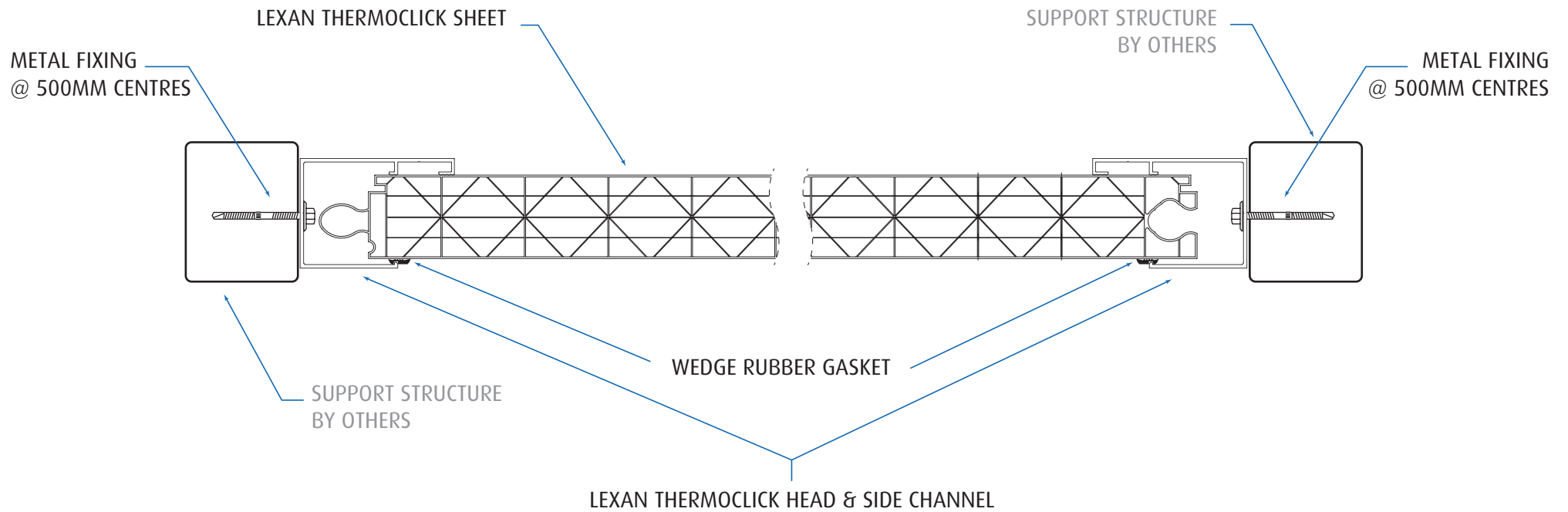
## Typical glazing Detail – 2 Thermoclick Profile

March 2015

DRAWN - MM

© Ampelite 2015



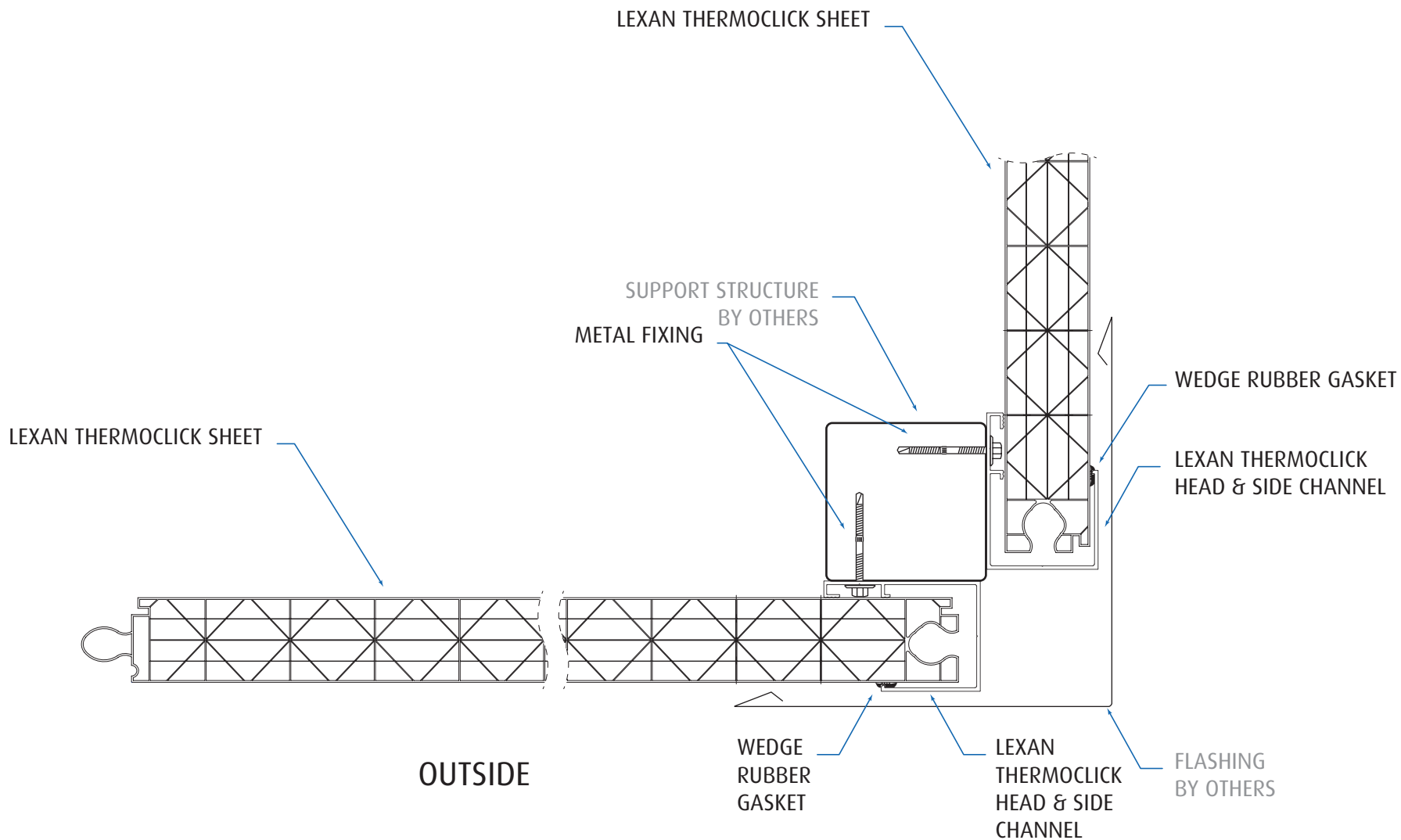


## Typical glazing Detail – 3 Thermoclick Profile

March 2015

DRAWN - MM

© Ampelite 2015

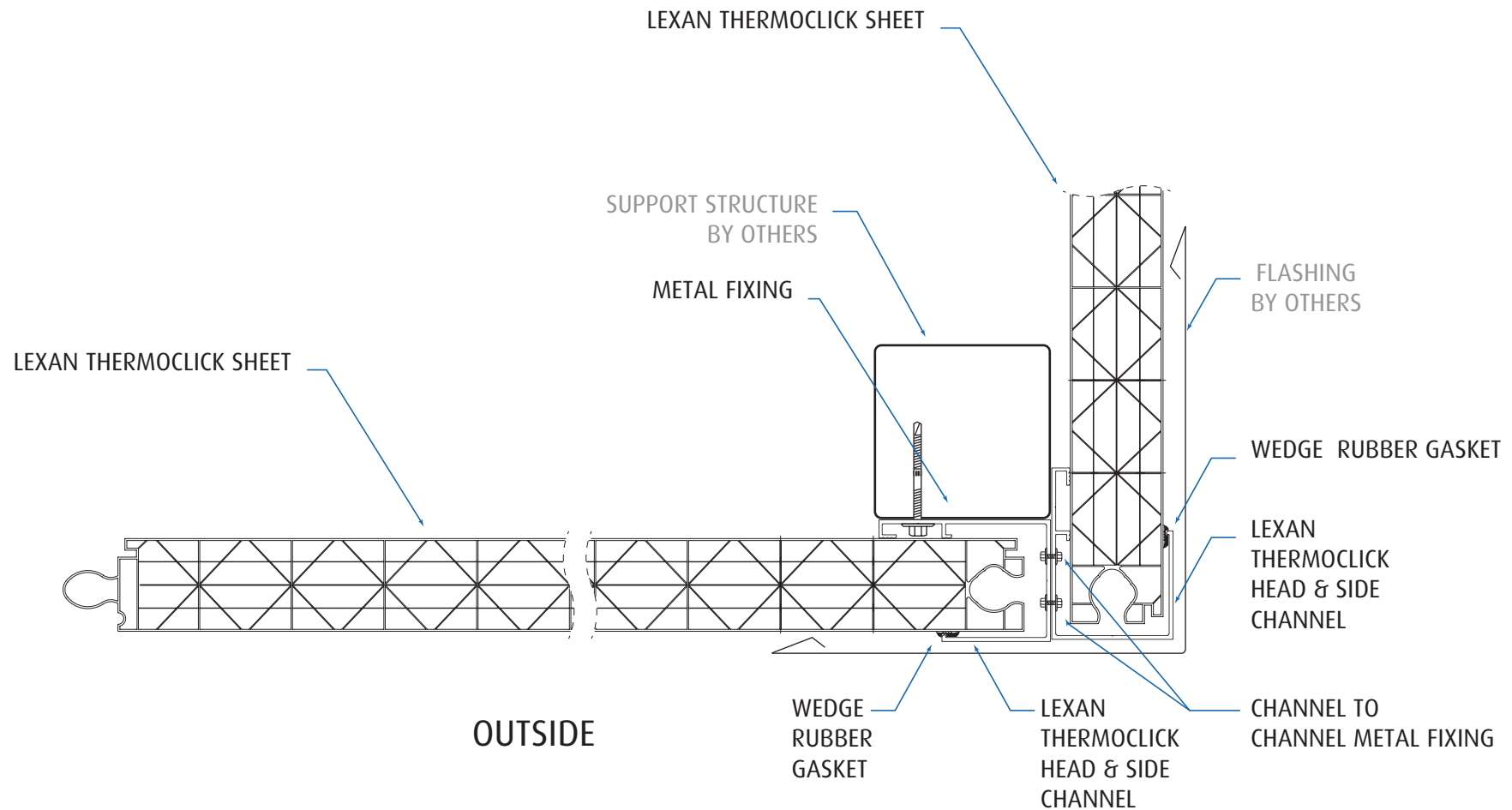


## External Corner Detail – 1 Thermoclick Profile

March 2015

DRAWN - MM

© Ampelite 2015

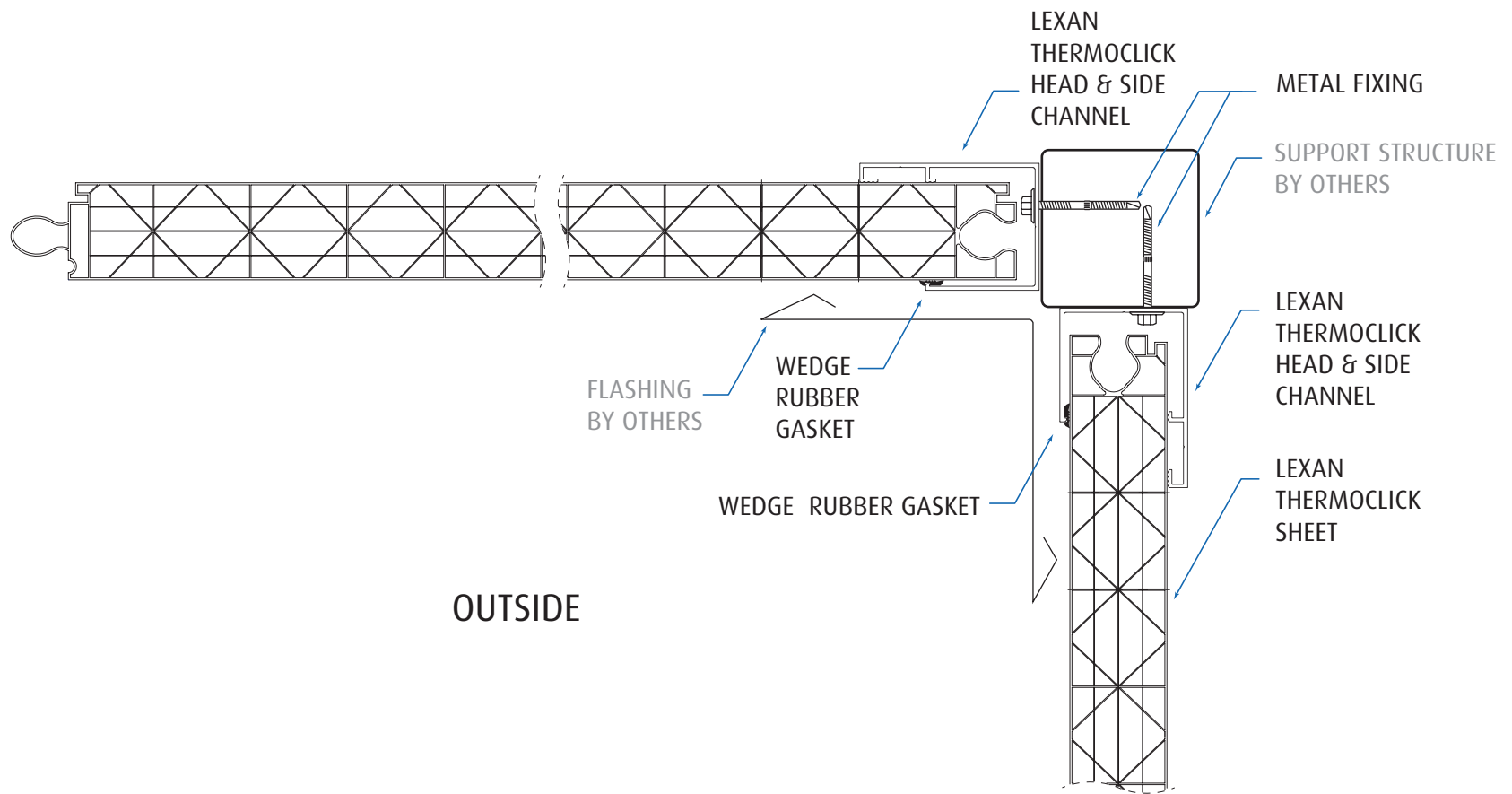


## External Corner Detail - 2 Thermoclick Profile

March 2015

DRAWN - MM

© Ampelite 2015

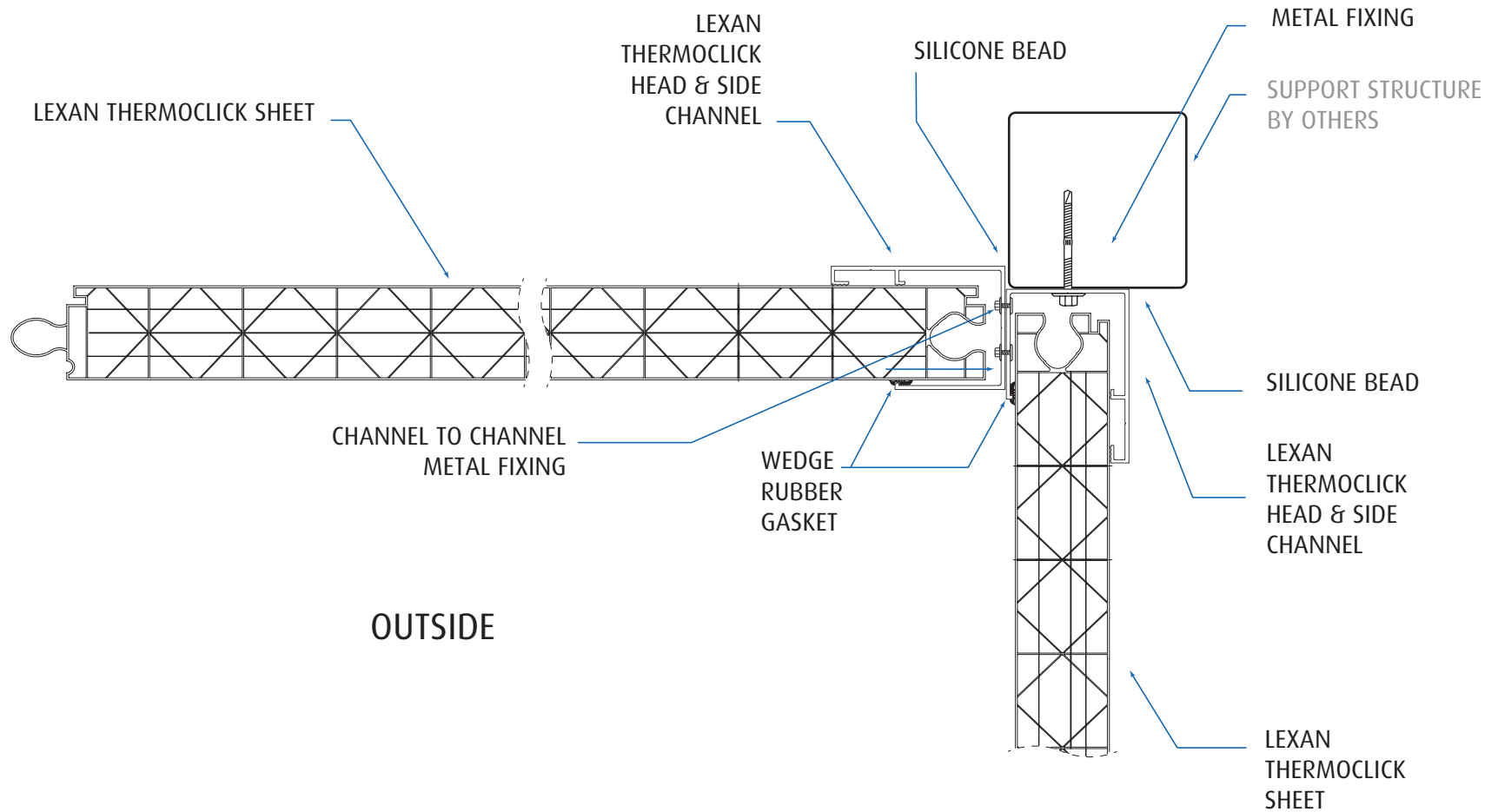


## Internal Corner Detail – 1 Thermoclick Profile

MARCH 2015

DRAWN - MM

© Ampelite 2015



## Internal Corner Detail - 2 Thermoclick Profile

MARCH 2015

DRAWN - MM

© Ampelite 2015