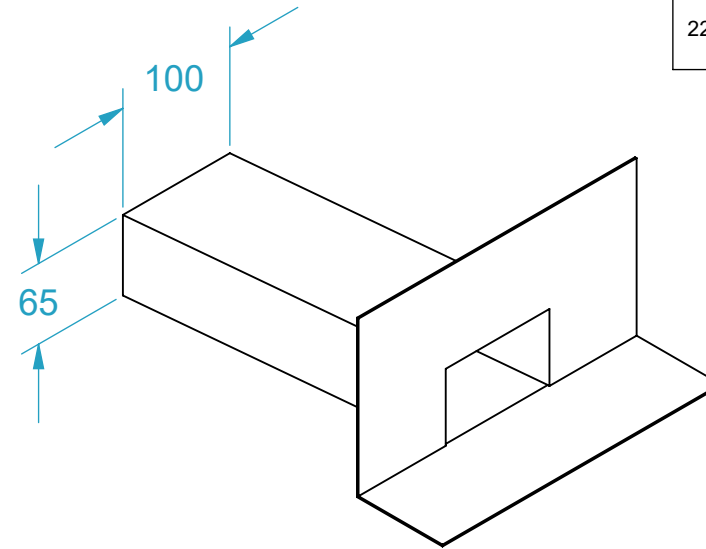
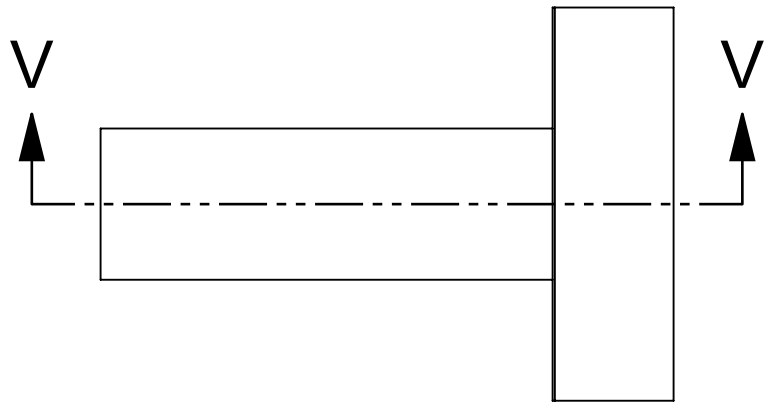


CODE	NAME	DN
2200.112	Scupper 100x65x300@5 Alluminium 5052	80
2200.113	Scupper 100x65x300@5 SS316	80



SECTION V-V

