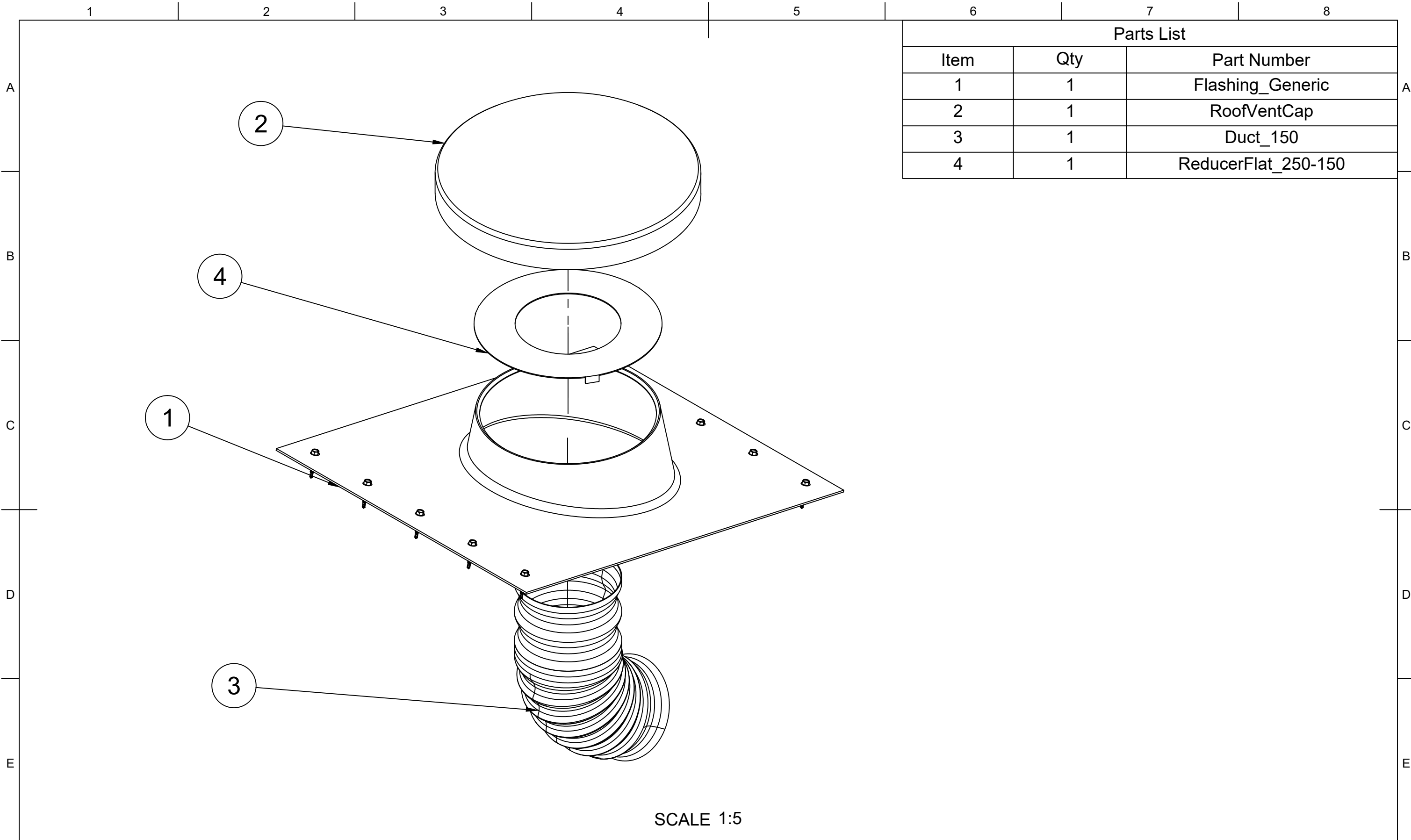


RoofVent_250_150			Drawn By		Date	
			Approval		Date	
DWG No.		REV.		Sheet	1/2	



Parts List		
Item	Qty	Part Number
1	1	Flashing_Generic
2	1	RoofVentCap
3	1	Duct_150
4	1	ReducerFlat_250-150

SCALE 1:5



Assembly_RoofVent_RoofMountedFan		Drawn By		Date	
Drawing description		Approval		Date	
DWG No.		REV.		Sheet	2/2