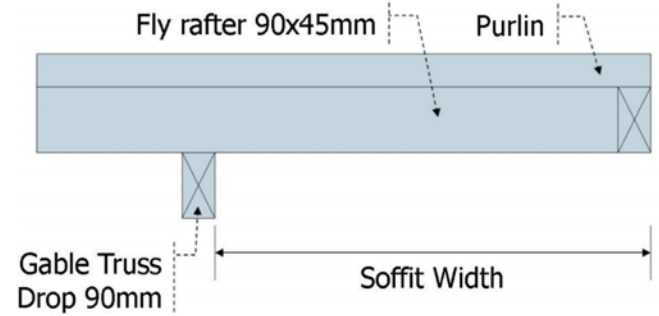
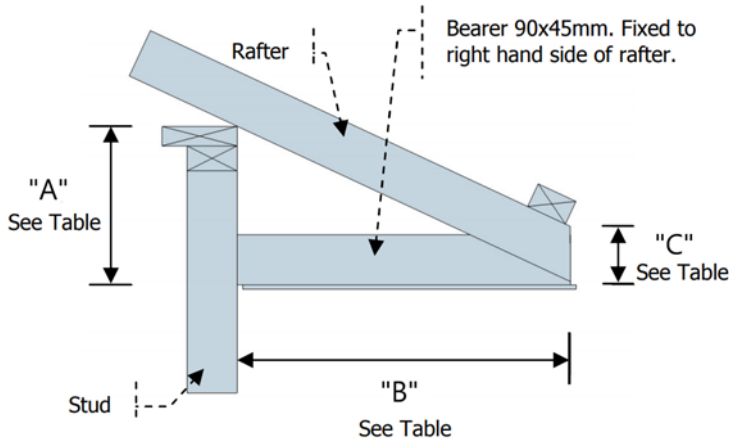


## CONSTRUCTION DETAIL & COMMON DROP HEIGHTS FOR: 140 N-LINE Fascia Panel with Metal Roof or Metal Tiles



Roof Pitch (Degrees)	Drop Heights (mm)—Dimension "A" (See notes at bottom of table)					Toe Cut (mm) Dimension "C"
	Soffit Width (mm) - Dimension "B"					
	300	450	600	750	900	
10.0	53	79	105	132	158	89
12.5	67	100	133	166	200	90
15.0	81	121	161	201	242	90
17.5	95	142	190	237	284	91
20.0	109	164	219	273	328	92
22.5	124	186	248	310	372	92
25.0	139	209	279	348	418	93
27.5	154	232	310	388	466	93
30.0	169	256	342	429	516	94
35.0	202	307	412	517	621	94
40.0	237	363	489	615	741	94
45.0	277	427	577	727	877	94

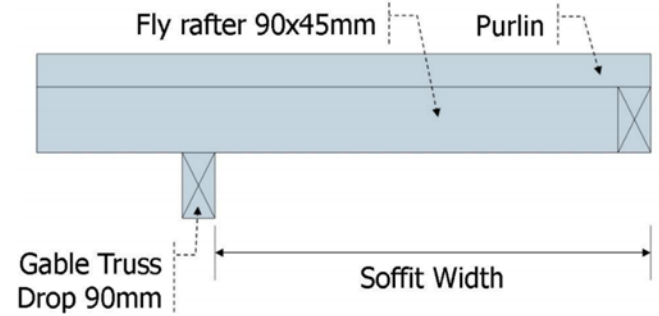
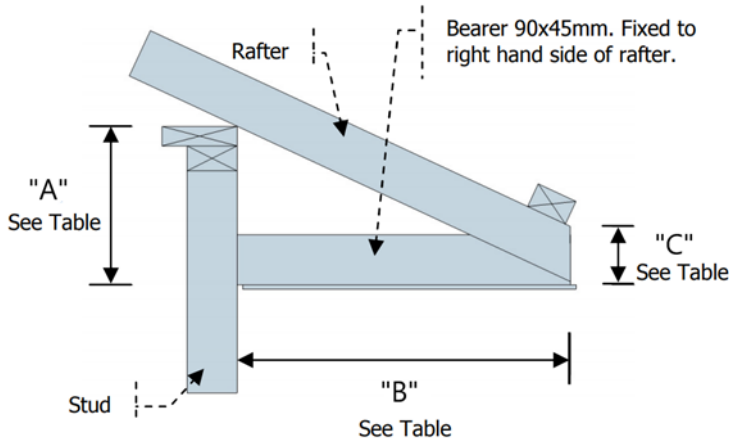
Drop Height "A" is calculated assuming the following constants:

Soffit clearance = 10mm ; Roof clearance = 10mm ; Rafter height = 90mm ; Purlin/Batten height = 45mm

NOTE: For different roof pitch's and soffit widths, visit our online drop height calculator at:

[www.continuous.co.nz/fascia-panel/truss-series/140-N-Line](http://www.continuous.co.nz/fascia-panel/truss-series/140-N-Line)

## CONSTRUCTION DETAIL & COMMON DROP HEIGHTS FOR: 140 N-LINE Fascia Panel with Concrete tile roof



Roof Pitch (Degrees)	Drop Heights (mm)—Dimension "A" (See notes at bottom of table)					Toe Cut (mm) Dimension "C"
	Soffit Width (mm) - Dimension "B"					
	300	450mm	600mm	750mm	900mm	
15.0	55	95	135	175	216	65
17.5	69	116	163	211	258	65
20.0	83	137	192	247	301	65
22.5	97	159	221	283	345	65
25.0	111	181	251	321	391	65
27.5	126	204	282	360	438	65
30.0	140	227	314	400	487	65
35.0	171	276	381	486	591	64
40.0	205	331	456	582	708	62
45.0	242	392	542	692	842	59

Drop Height "A" is calculated assuming the following constants:

Soffit clearance=10mm ; Roof clearance=10mm ; Rafter height=90mm ; Batten height=45mm + 25mm packer on last batten=70mm

NOTE: For different roof pitch's and soffit widths, visit our online drop height calculator at:

[www.continuous.co.nz/fascia-panel/truss-series/140-N-Line](http://www.continuous.co.nz/fascia-panel/truss-series/140-N-Line)