

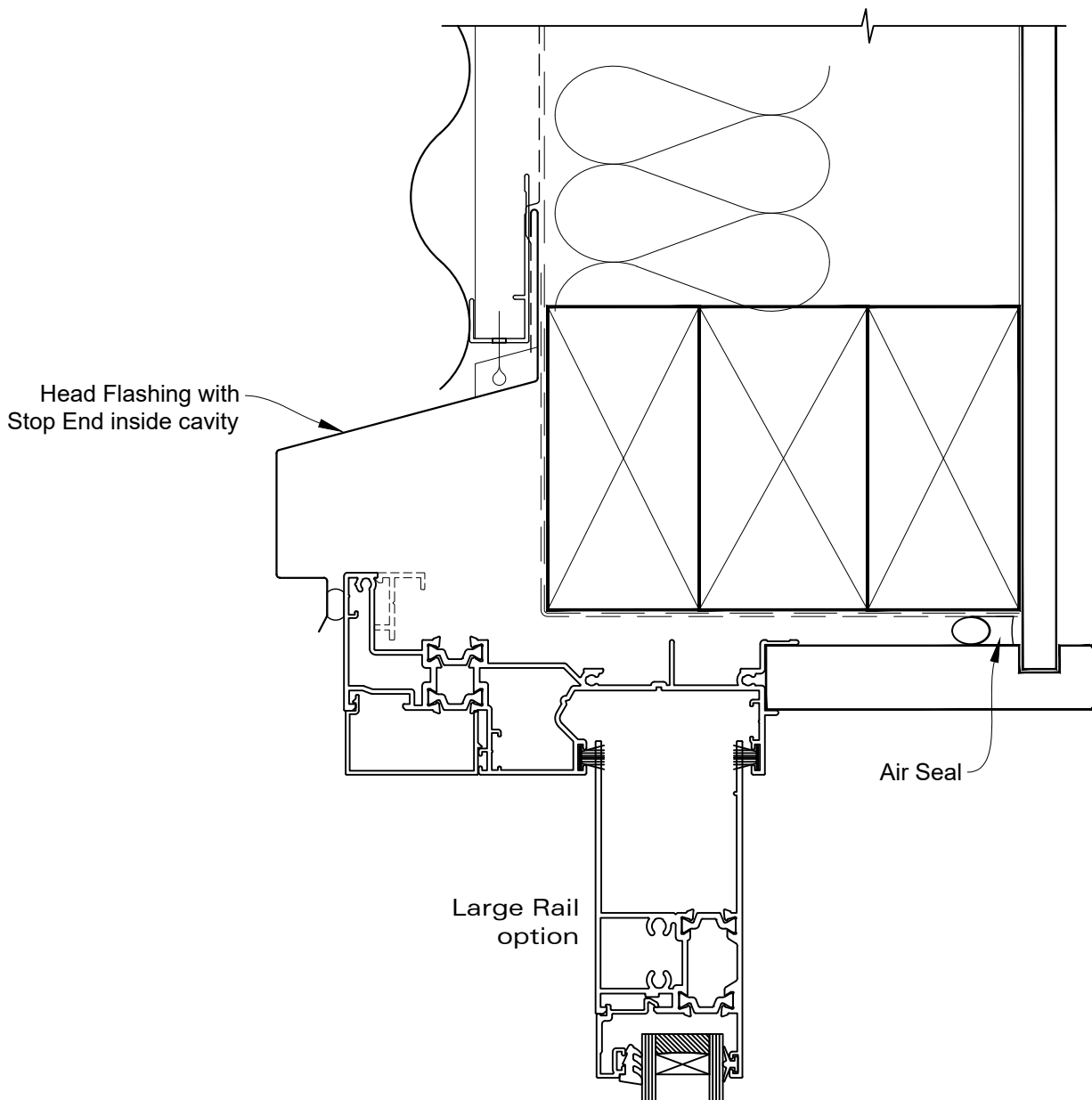


INSTALLATION DETAIL - RESIDENTIAL THERMAL HEART SLIDING DOOR ON PROFILE METAL CAVITY CONSTRUCTION

Date: 01.04.22

Scale: 1:2

CAD Ref.: TRSDPM-CH



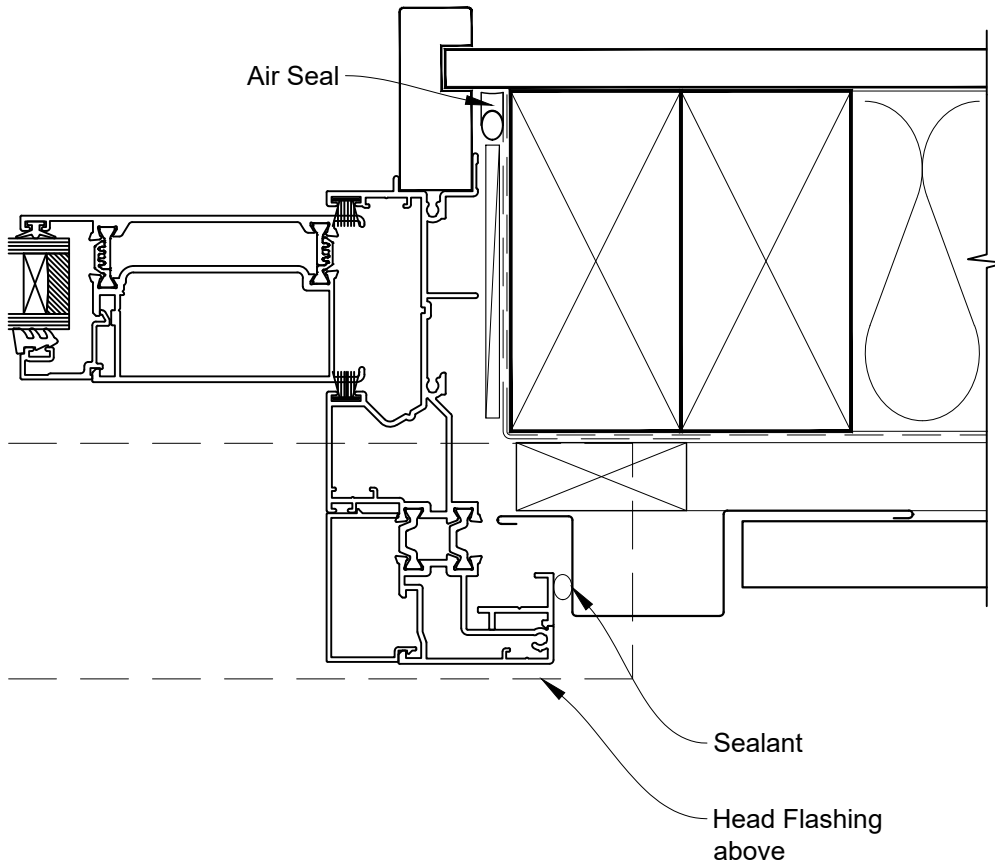


INSTALLATION DETAIL - RESIDENTIAL THERMAL HEART SLIDING DOOR ON PROFILE METAL CAVITY CONSTRUCTION

Date: 01.04.22

Scale: 1:2

CAD Ref.: TRSDPM-CJ



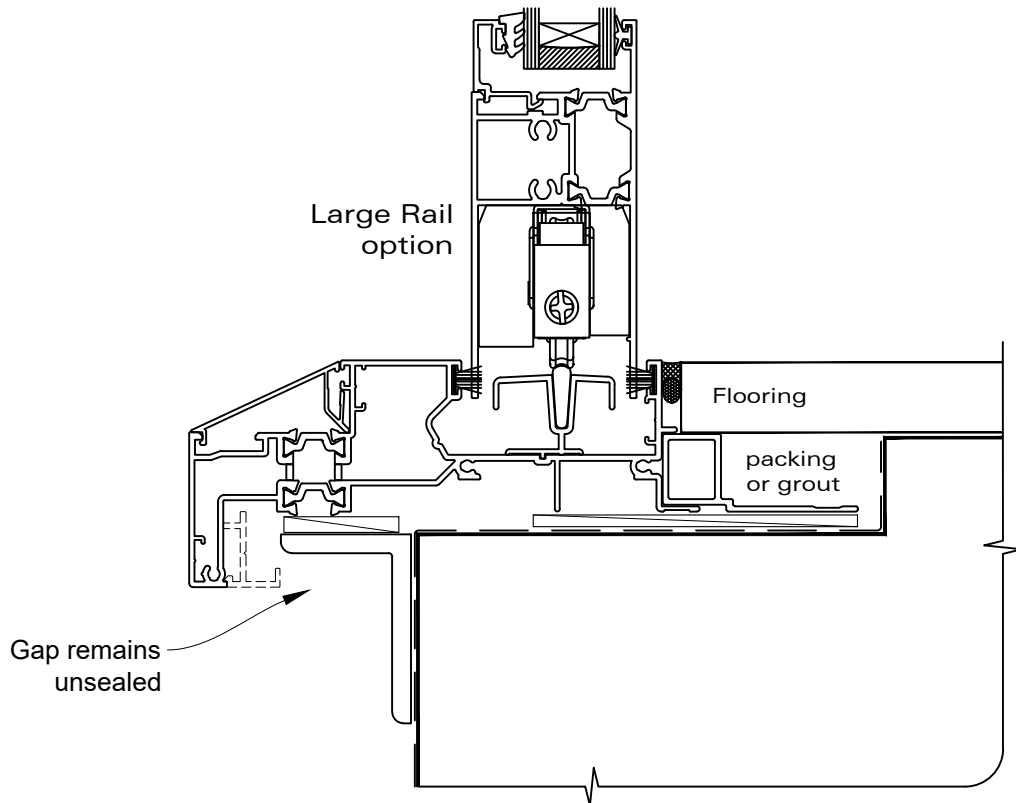


INSTALLATION DETAIL - RESIDENTIAL THERMAL HEART SLIDING DOOR ON PROFILE METAL CAVITY CONSTRUCTION

Date: 01.04.22

Scale: 1:2

CAD Ref.: TRSDPM-CS



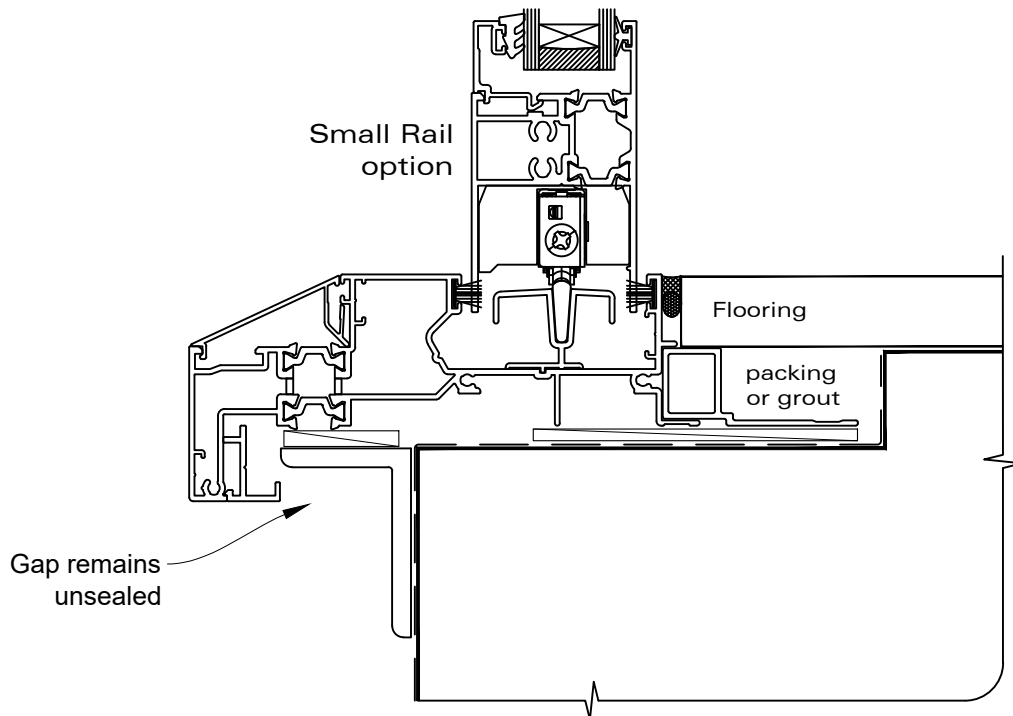


INSTALLATION DETAIL - RESIDENTIAL THERMAL HEART SLIDING DOOR ON PROFILE METAL CAVITY CONSTRUCTION

Date: 01.04.22

Scale: 1:2

CAD Ref.: TRSDPM-CS2



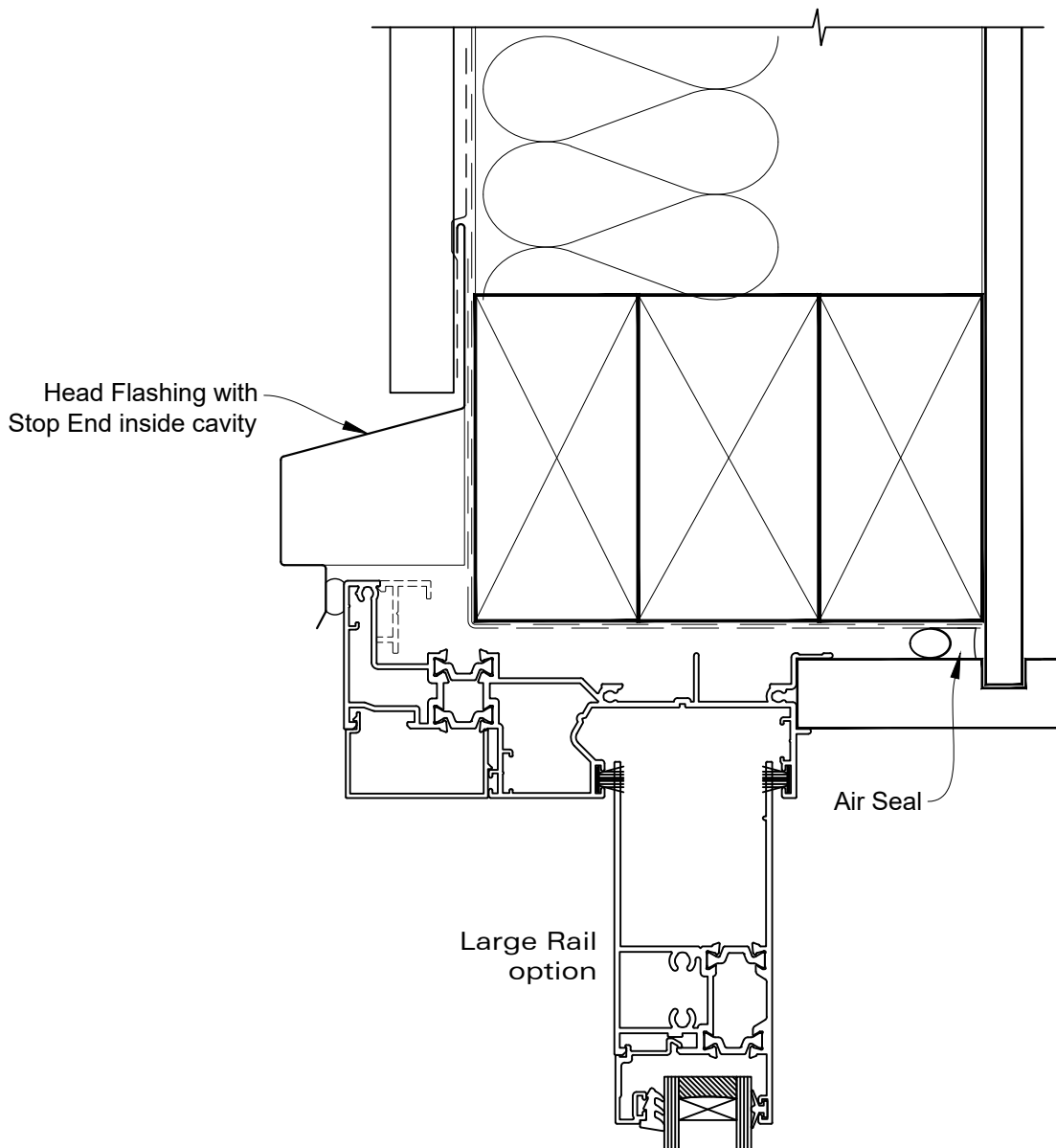


INSTALLATION DETAIL - RESIDENTIAL THERMAL HEART SLIDING DOOR ON BOARD & BATTEN DIRECT FIXED CLADDING

Date: 01.04.22

Scale: 1:2

CAD Ref.: TRSDPM-DH



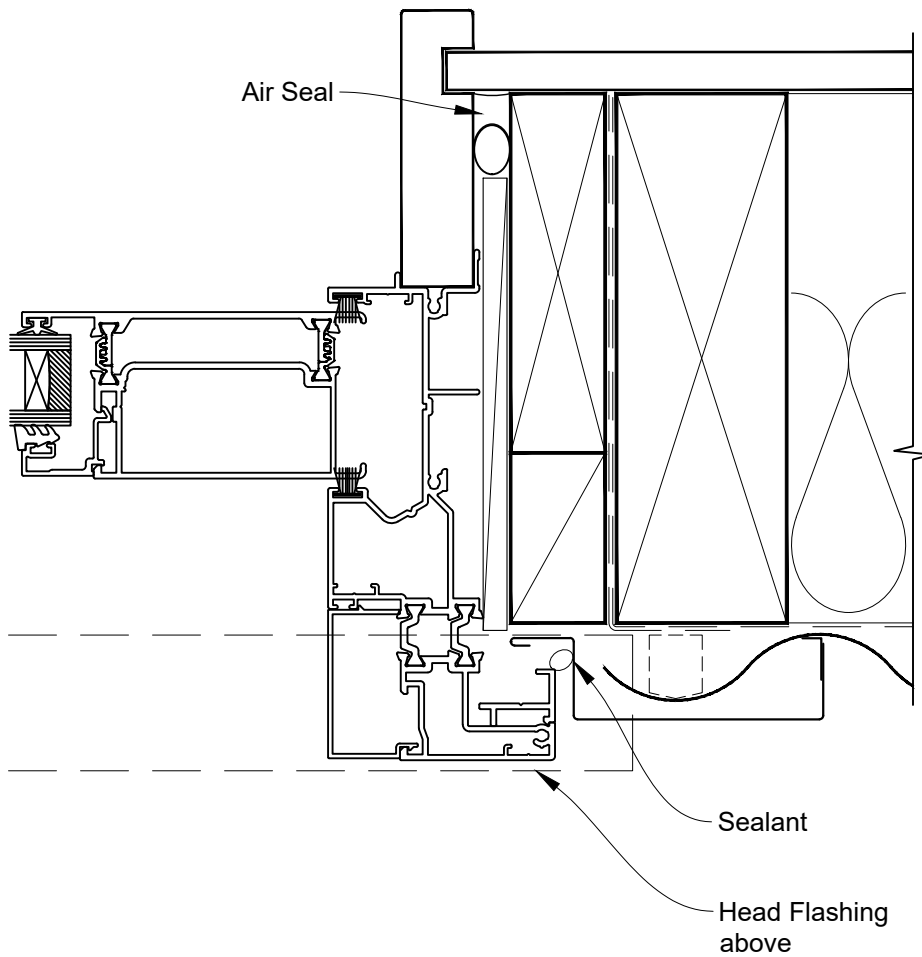


INSTALLATION DETAIL - RESIDENTIAL THERMAL HEART SLIDING DOOR ON BOARD & BATTEN DIRECT FIXED CLADDING

Date: 01.04.22

Scale: 1:2

CAD Ref.: TRSDPM-DJ



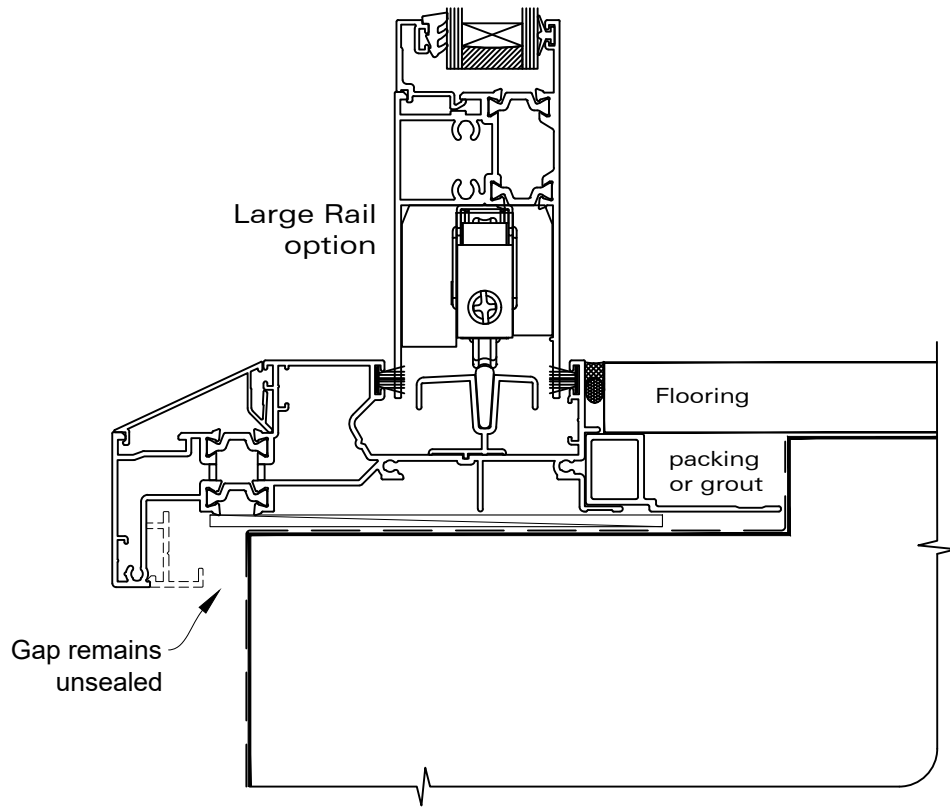


INSTALLATION DETAIL - RESIDENTIAL THERMAL HEART SLIDING DOOR ON BOARD & BATTEN DIRECT FIXED CLADDING

Date: 01.04.22

Scale: 1:2

CAD Ref.: TRSDPM-DS





INSTALLATION DETAIL - RESIDENTIAL THERMAL HEART SLIDING DOOR ON BOARD & BATTEN DIRECT FIXED CLADDING

Date: 01.04.22

Scale: 1:2

CAD Ref.: TRSDPM-DS2

