

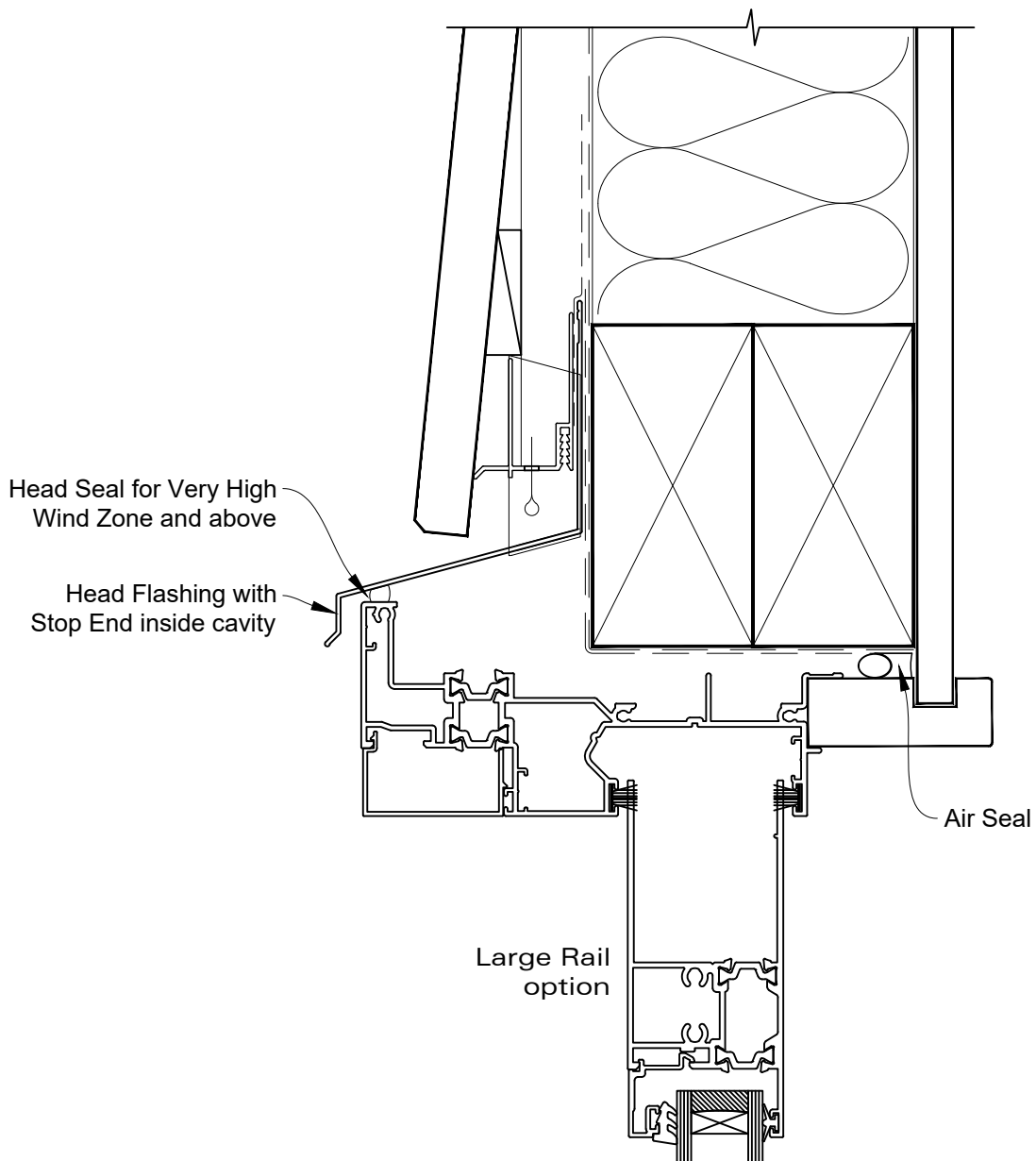


INSTALLATION DETAIL - RESIDENTIAL THERMAL HEART SLIDING DOOR ON BEVEL BACK WEATHERBOARD CAVITY CONSTRUCTION

Date: 01.04.22

Scale: 1:2

CAD Ref.: TRSDBW-CH



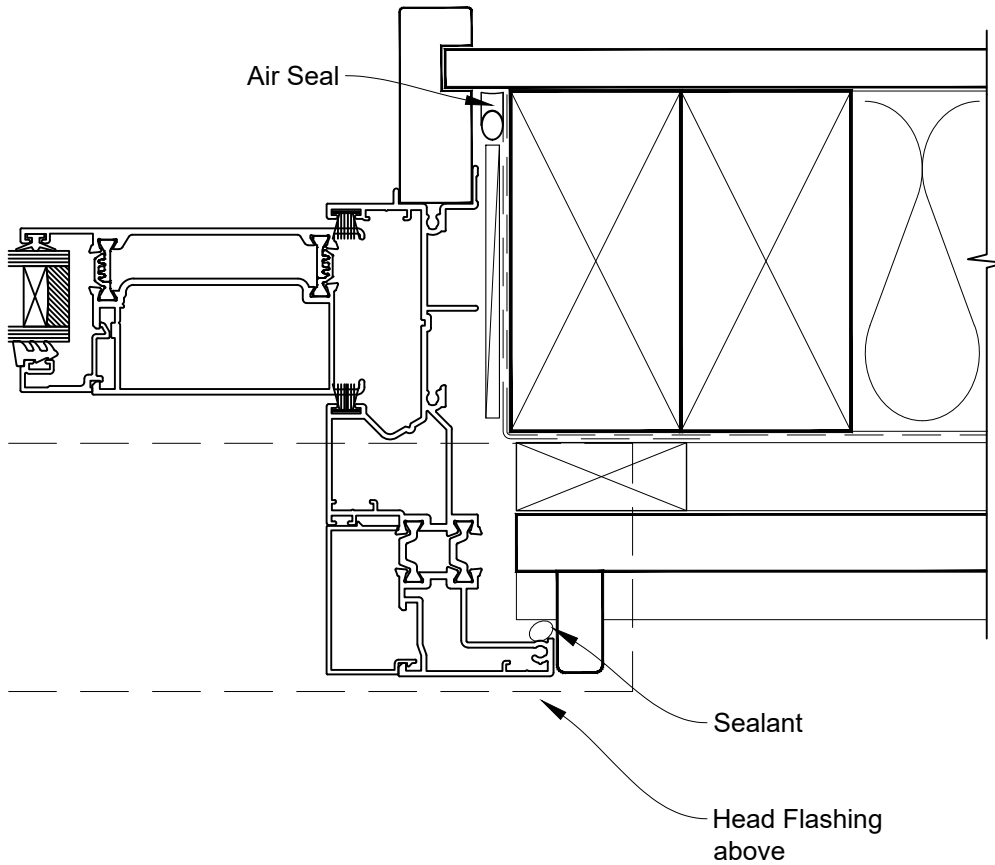


INSTALLATION DETAIL - RESIDENTIAL THERMAL HEART SLIDING DOOR ON BEVEL BACK WEATHERBOARD CAVITY CONSTRUCTION

Date: 01.04.22

Scale: 1:2

CAD Ref.: TRSDBW-CJ



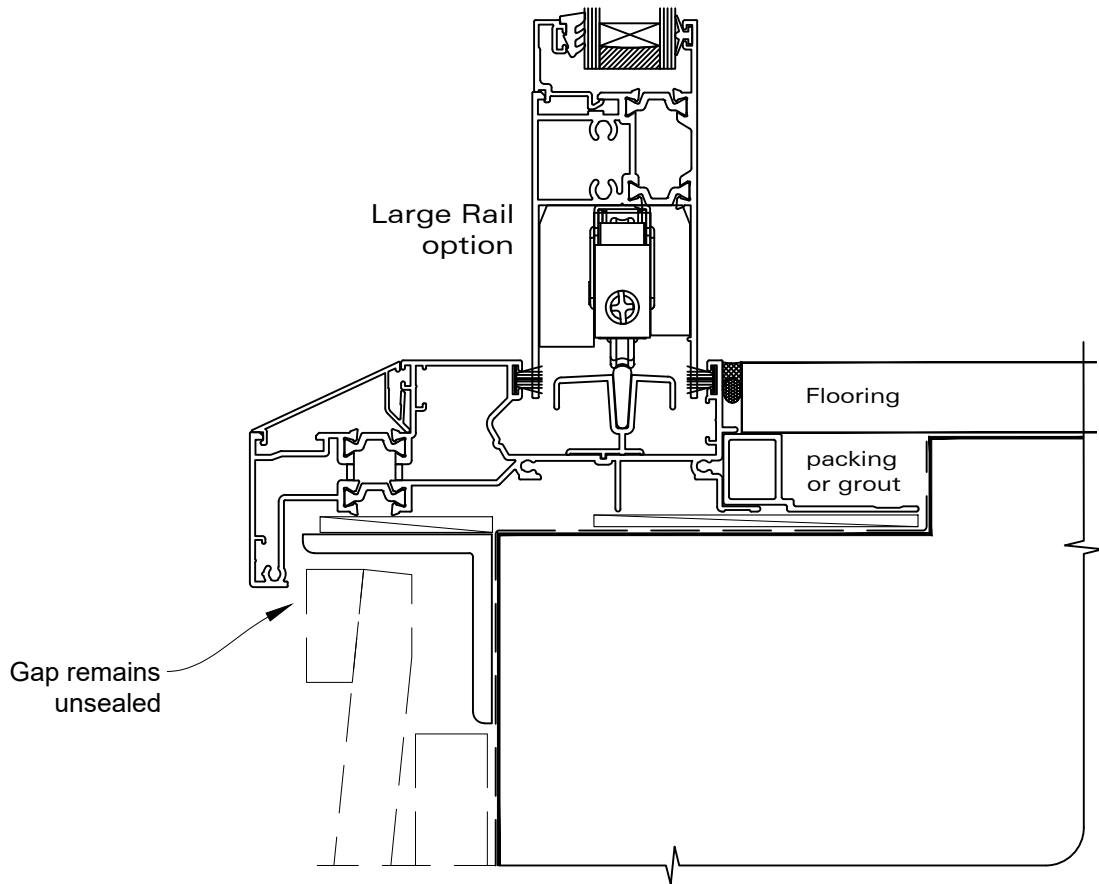


INSTALLATION DETAIL - RESIDENTIAL THERMAL HEART SLIDING DOOR ON BEVEL BACK WEATHERBOARD CAVITY CONSTRUCTION

Date: 01.04.22

Scale: 1:2

CAD Ref.: TRSDBW-CS



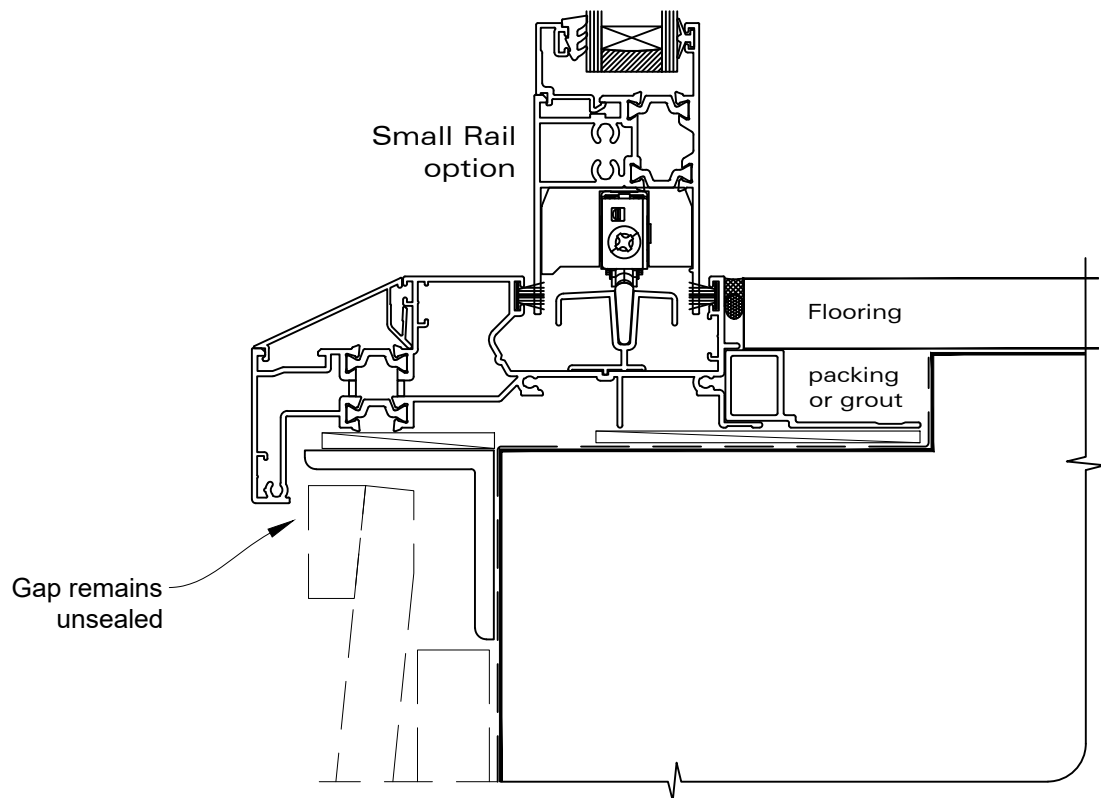


INSTALLATION DETAIL - RESIDENTIAL THERMAL HEART SLIDING DOOR ON BEVEL BACK WEATHERBOARD CAVITY CONSTRUCTION

Date: 01.04.22

Scale: 1:2

CAD Ref.: TRSDBW-CS2



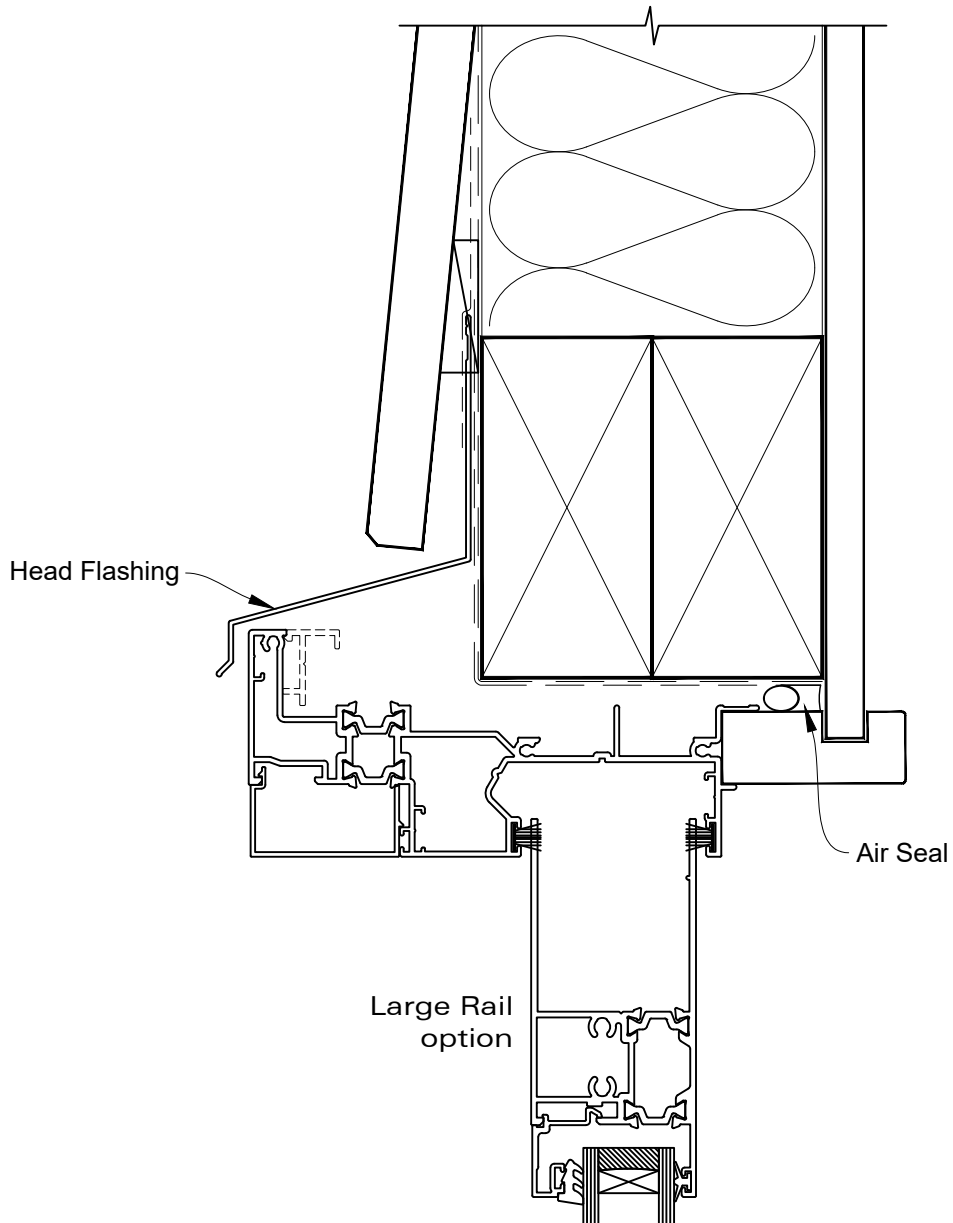


INSTALLATION DETAIL - RESIDENTIAL THERMAL HEART SLIDING DOOR ON BEVEL BACK WEATHERBOARD DIRECT FIXED CLADDING

Date: 01.04.22

Scale: 1:2

CAD Ref.: TRSDBW-DH



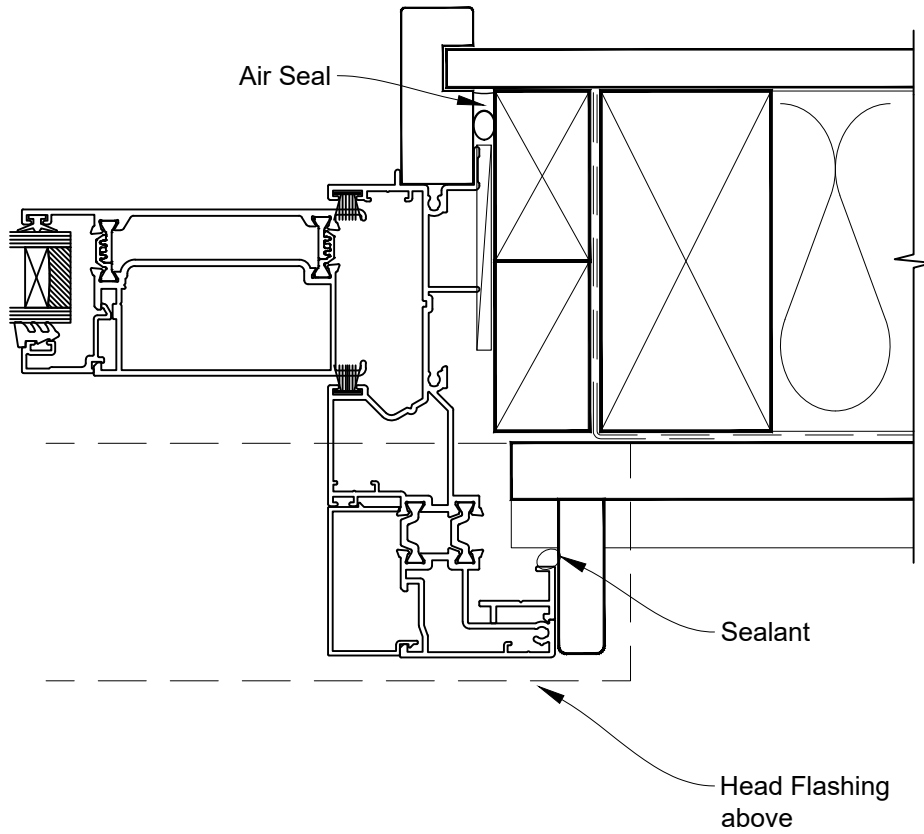


INSTALLATION DETAIL - RESIDENTIAL THERMAL HEART SLIDING DOOR ON BEVEL BACK WEATHERBOARD DIRECT FIXED CLADDING

Date: 01.04.22

Scale: 1:2

CAD Ref.: TRSDBW-DJ



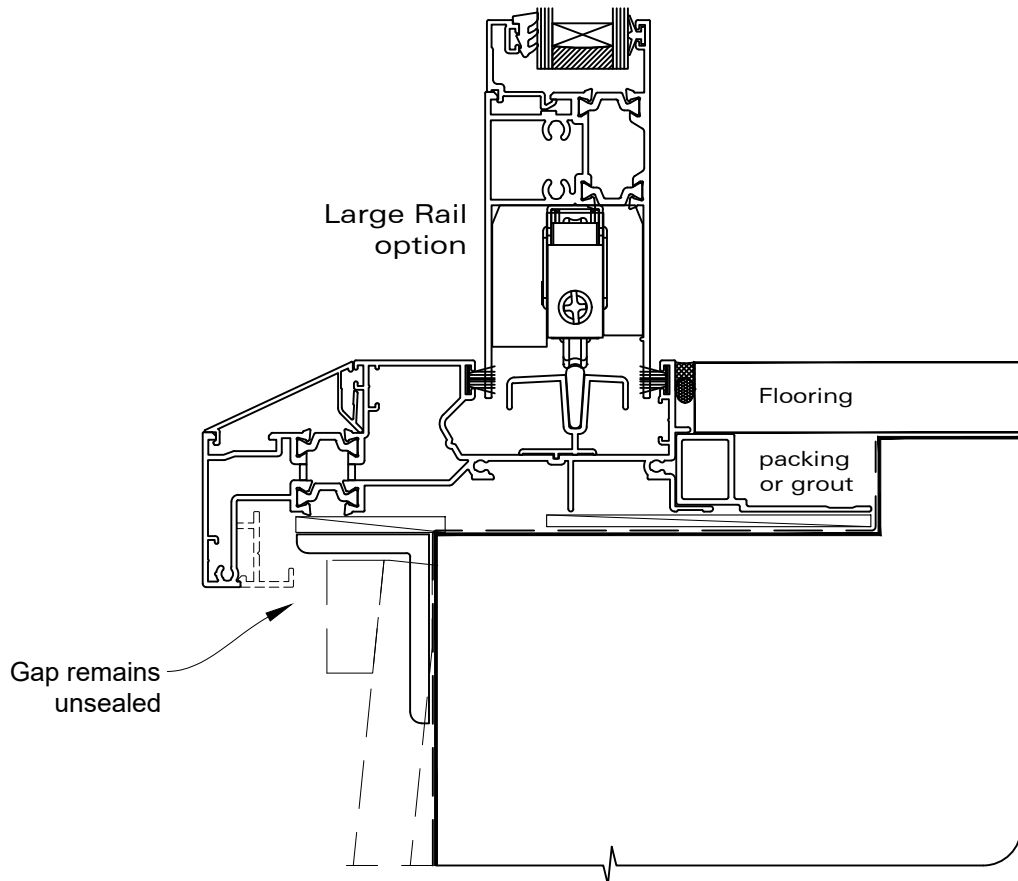


INSTALLATION DETAIL - RESIDENTIAL THERMAL HEART SLIDING DOOR ON BEVEL BACK WEATHERBOARD DIRECT FIXED CLADDING

Date: 01.04.22

Scale: 1:2

CAD Ref.: TRSDBW-DS





INSTALLATION DETAIL - RESIDENTIAL THERMAL HEART SLIDING DOOR ON BEVEL BACK WEATHERBOARD DIRECT FIXED CLADDING

Date: 01.04.22

Scale: 1:2

CAD Ref.: TRSDBW-DS2

