

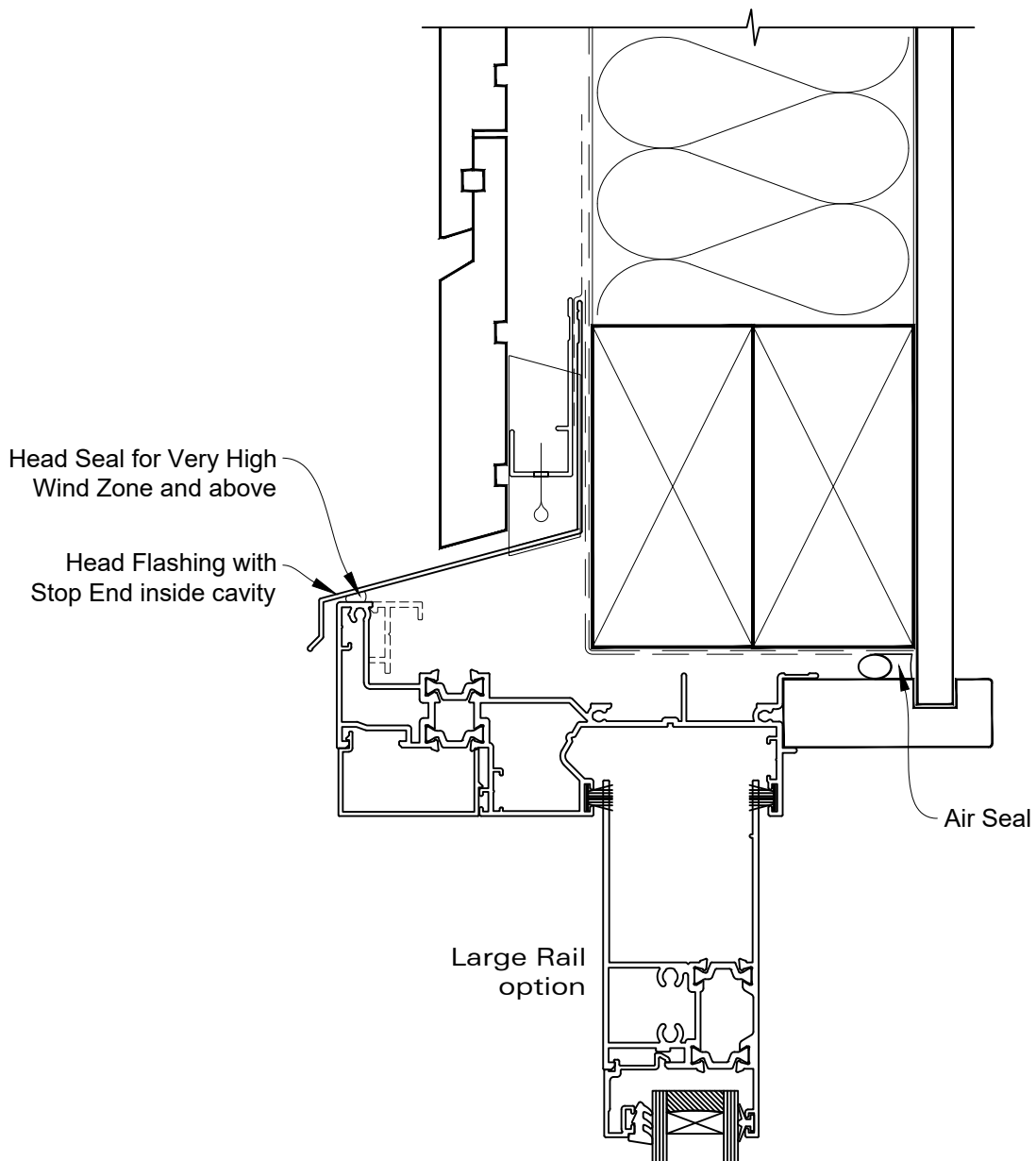


# INSTALLATION DETAIL - RESIDENTIAL THERMAL HEART SLIDING DOOR ON RUSTICATED WEATHERBOARD CAVITY CONSTRUCTION

Date: 01.04.22

Scale: 1:2

CAD Ref.: TRSDRW-CH



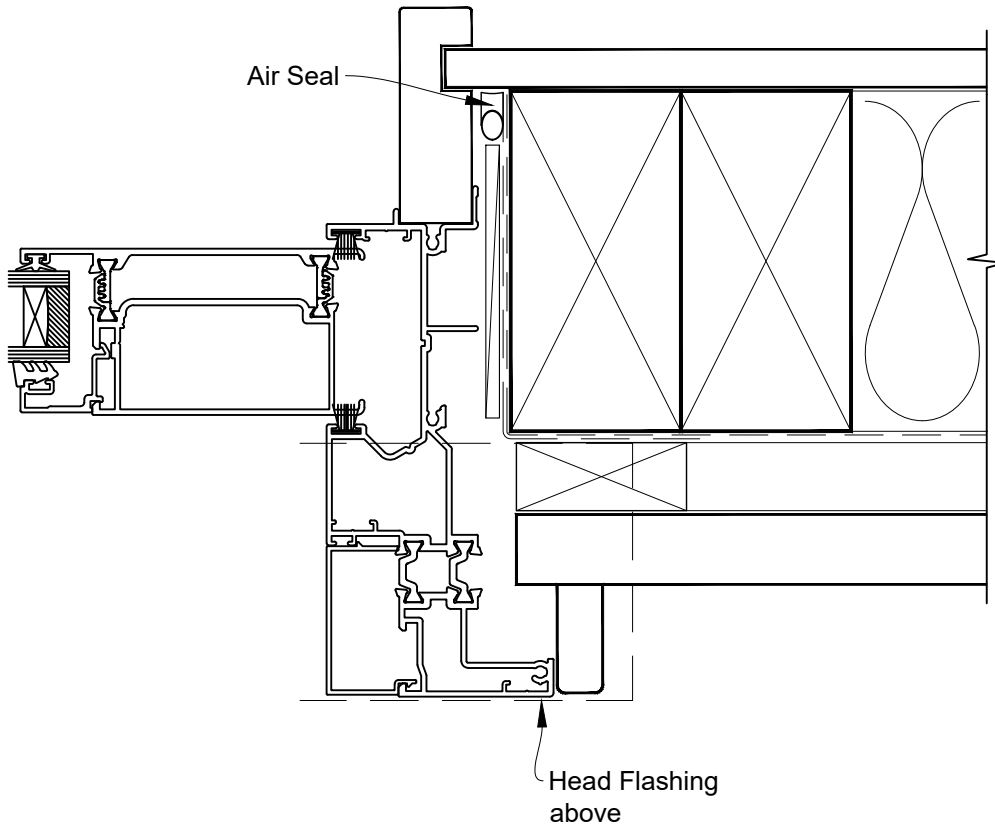


# INSTALLATION DETAIL - RESIDENTIAL THERMAL HEART SLIDING DOOR ON RUSTICATED WEATHERBOARD CAVITY CONSTRUCTION

Date: 01.04.22

Scale: 1:2

CAD Ref.: TRSDRW-CJ



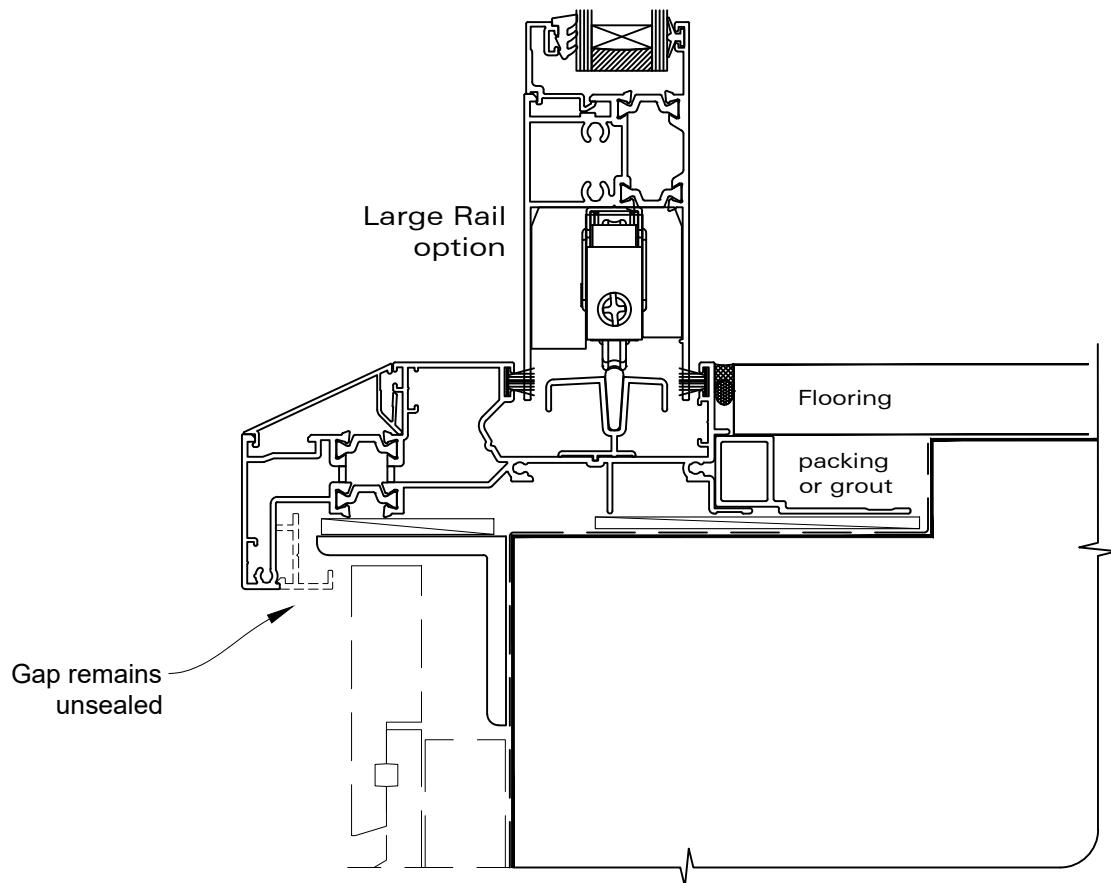


# INSTALLATION DETAIL - RESIDENTIAL THERMAL HEART SLIDING DOOR ON RUSTICATED WEATHERBOARD CAVITY CONSTRUCTION

Date: 01.04.22

Scale: 1:2

CAD Ref.: TRSDRW-CS



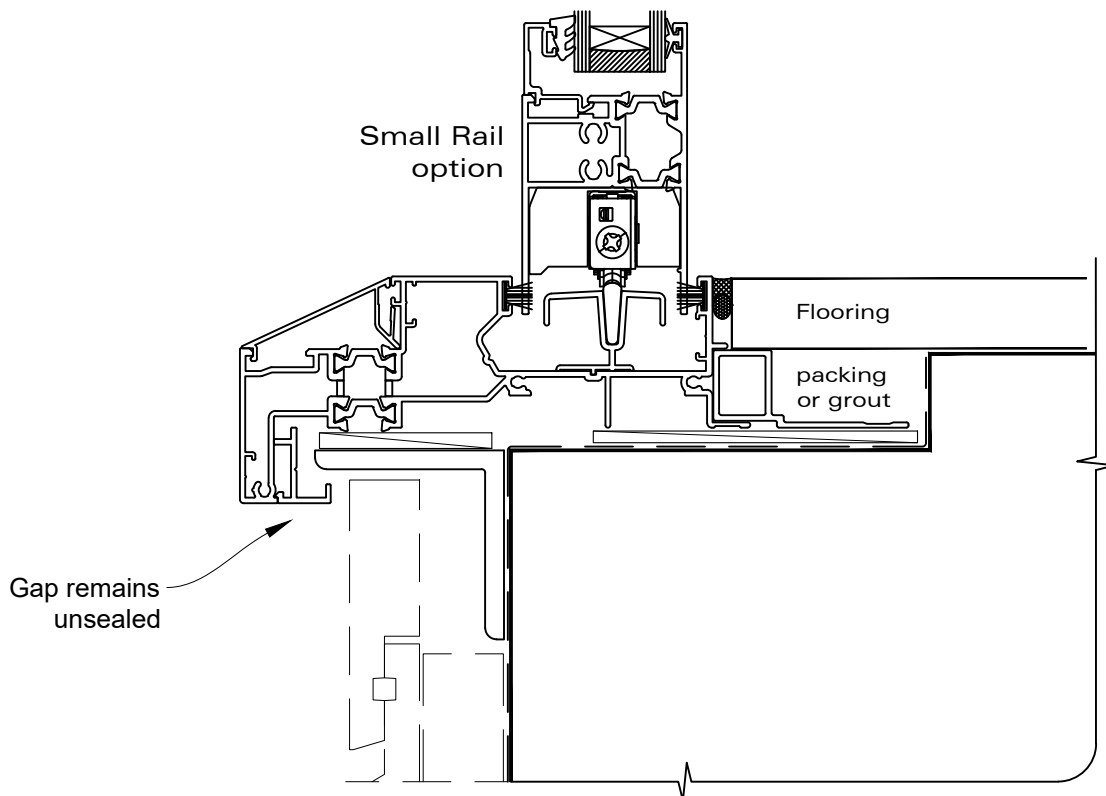


# INSTALLATION DETAIL - RESIDENTIAL THERMAL HEART SLIDING DOOR ON RUSTICATED WEATHERBOARD CAVITY CONSTRUCTION

Date: 01.04.22

Scale: 1:2

CAD Ref.: TRSDRW-CS2



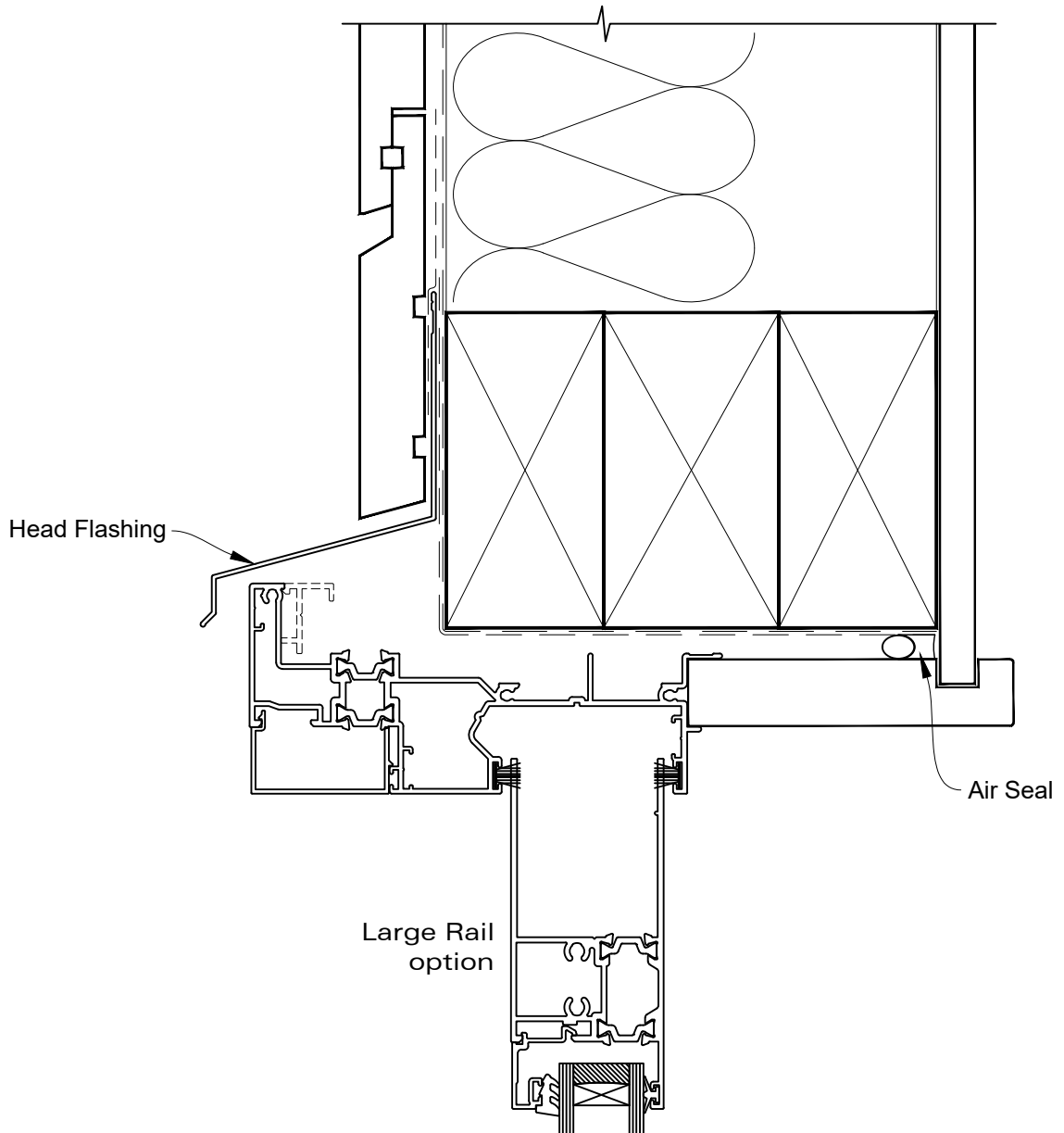


# INSTALLATION DETAIL - RESIDENTIAL THERMAL HEART SLIDING DOOR ON RUSTICATED WEATHERBOARD DIRECT FIXED CLADDING

Date: 01.04.22

Scale: 1:2

CAD Ref.: TRSDRW-DH



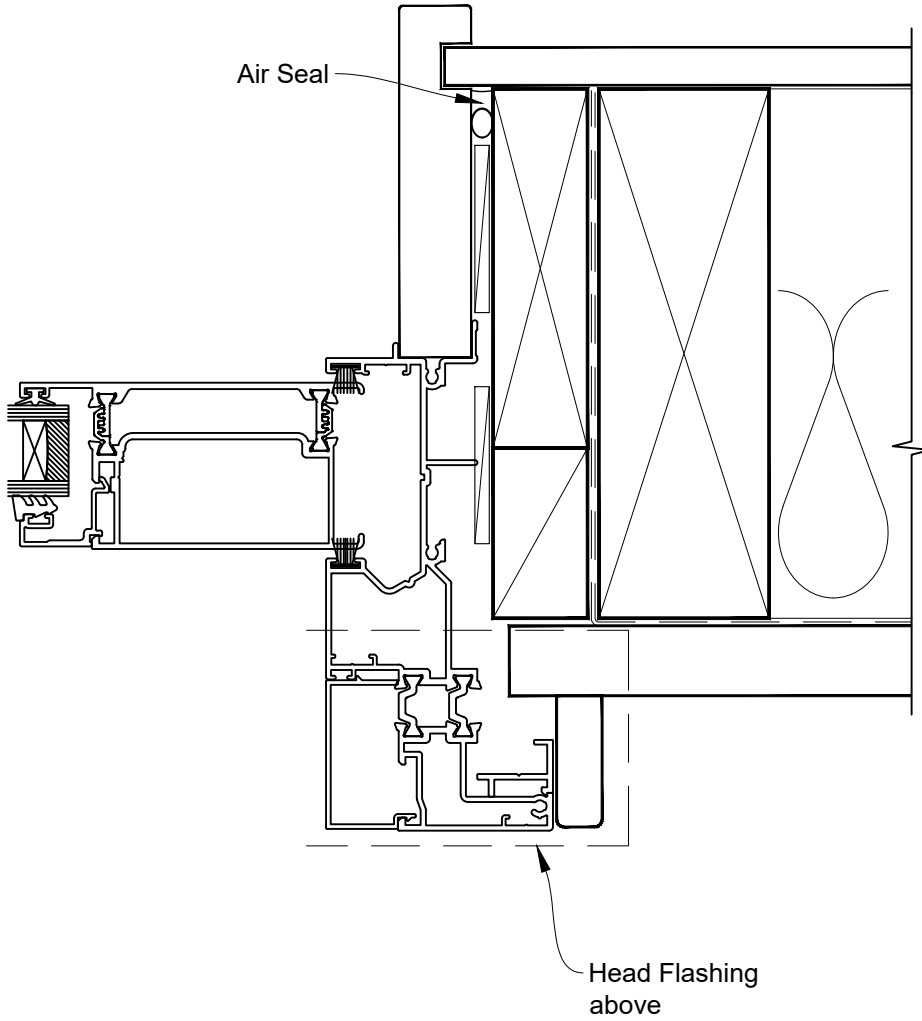


# INSTALLATION DETAIL - RESIDENTIAL THERMAL HEART SLIDING DOOR ON RUSTICATED WEATHERBOARD DIRECT FIXED CLADDING

Date: 01.04.22

Scale: 1:2

CAD Ref.: TRSDRW-DJ



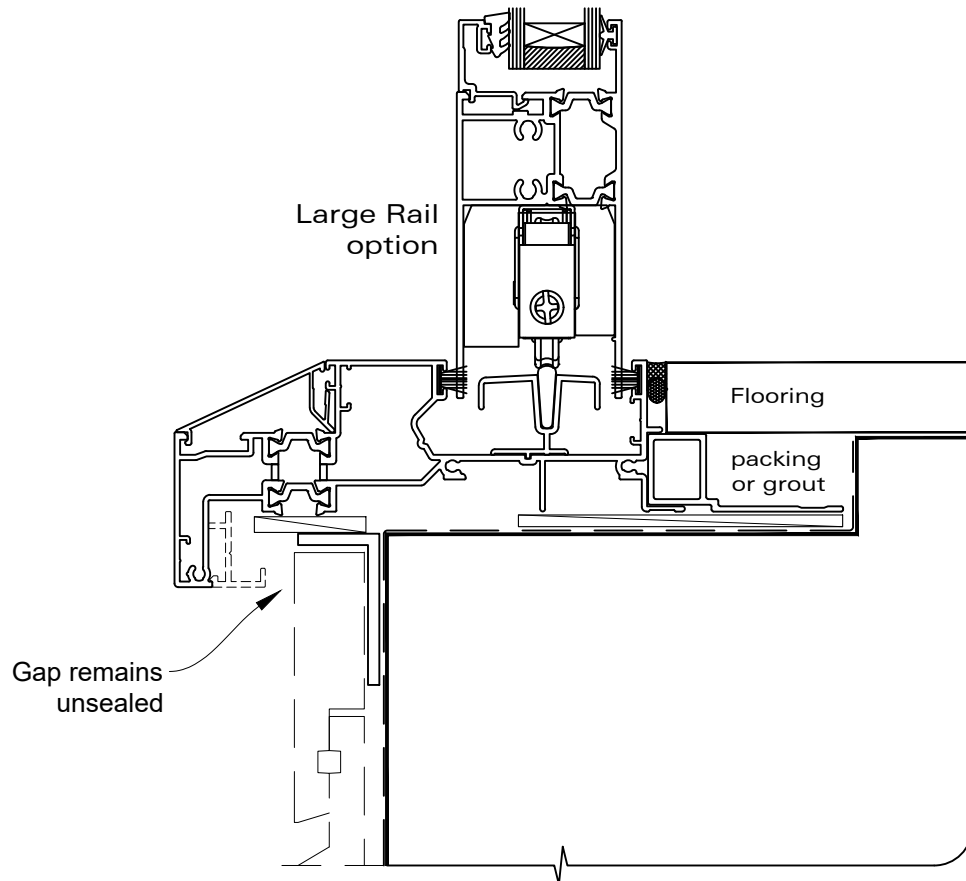


# INSTALLATION DETAIL - RESIDENTIAL THERMAL HEART SLIDING DOOR ON RUSTICATED WEATHERBOARD DIRECT FIXED CLADDING

Date: 01.04.22

Scale: 1:2

CAD Ref.: TRSDRW-DS





# INSTALLATION DETAIL - RESIDENTIAL THERMAL HEART SLIDING DOOR ON RUSTICATED WEATHERBOARD DIRECT FIXED CLADDING

Date: 01.04.22

Scale: 1:2

CAD Ref.: TRSDRW-DS2

