

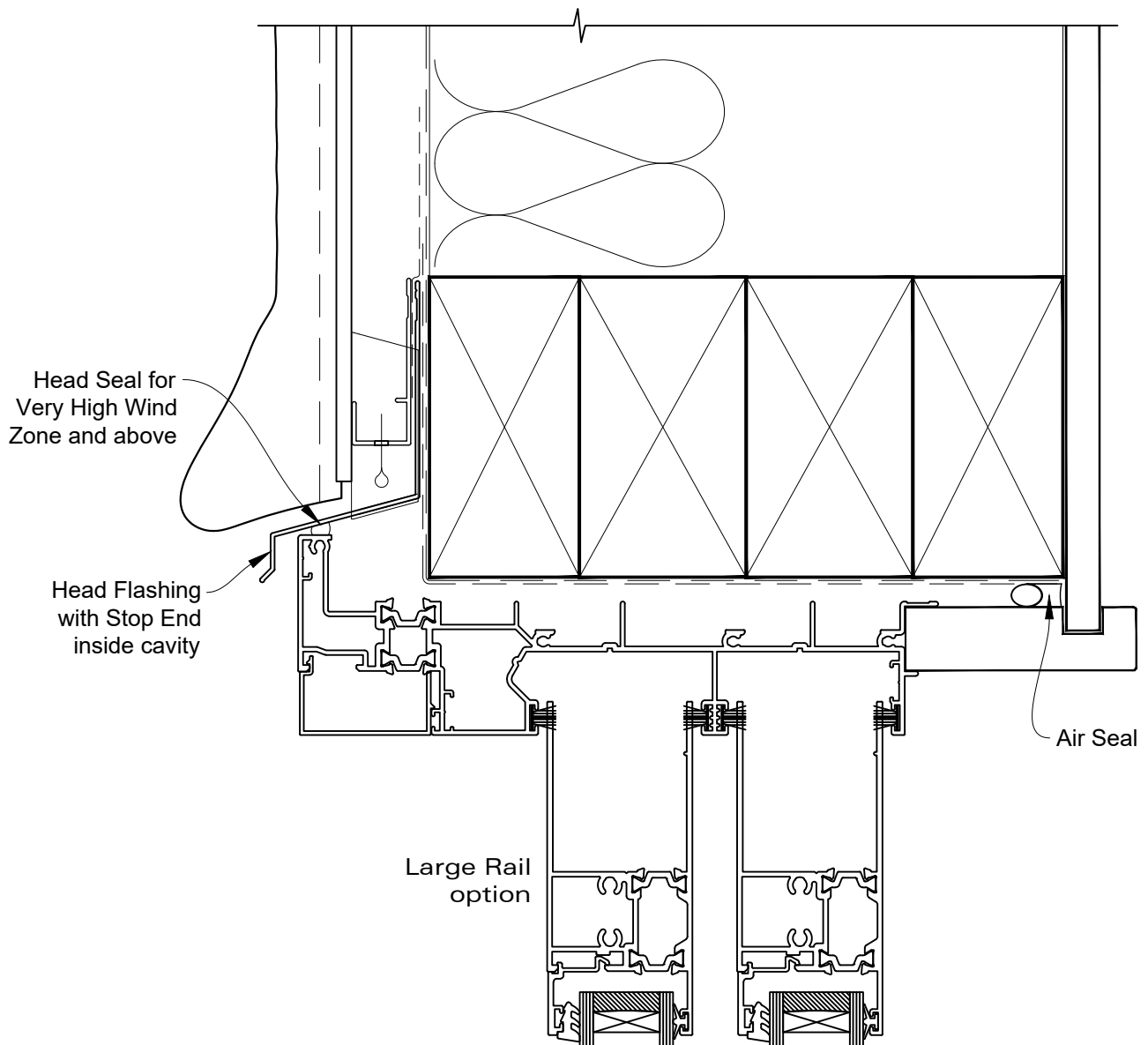


# INSTALLATION DETAIL - RESIDENTIAL THERMAL HEART SLIDING DOOR ON STUCCO CAVITY CONSTRUCTION

Date: 01.04.22

Scale: 1:2

CAD Ref.: TRMDST-CH



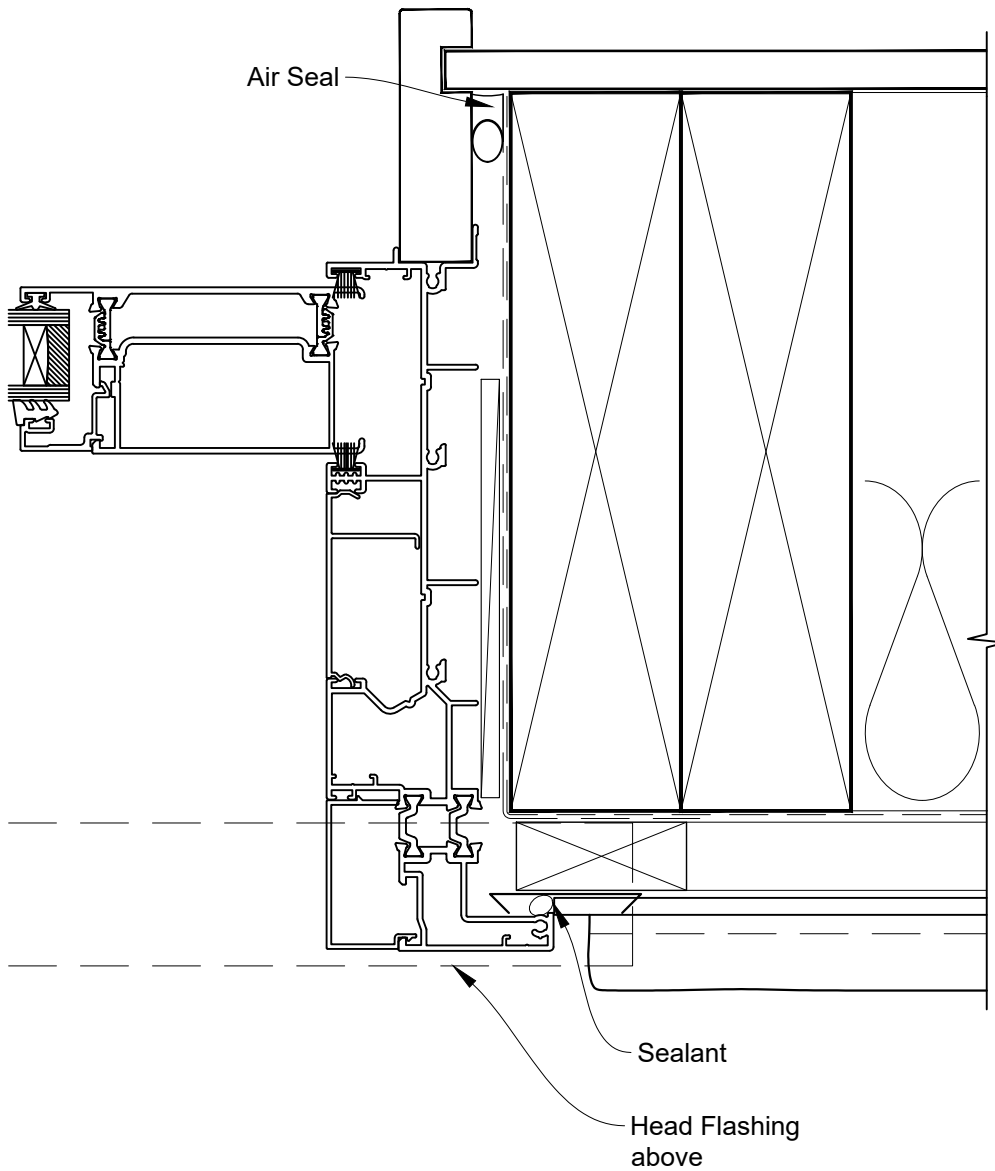


# INSTALLATION DETAIL - RESIDENTIAL THERMAL HEART SLIDING DOOR ON STUCCO CAVITY CONSTRUCTION

Date: 01.04.22

Scale: 1:2

CAD Ref.: TRMDST-CJ



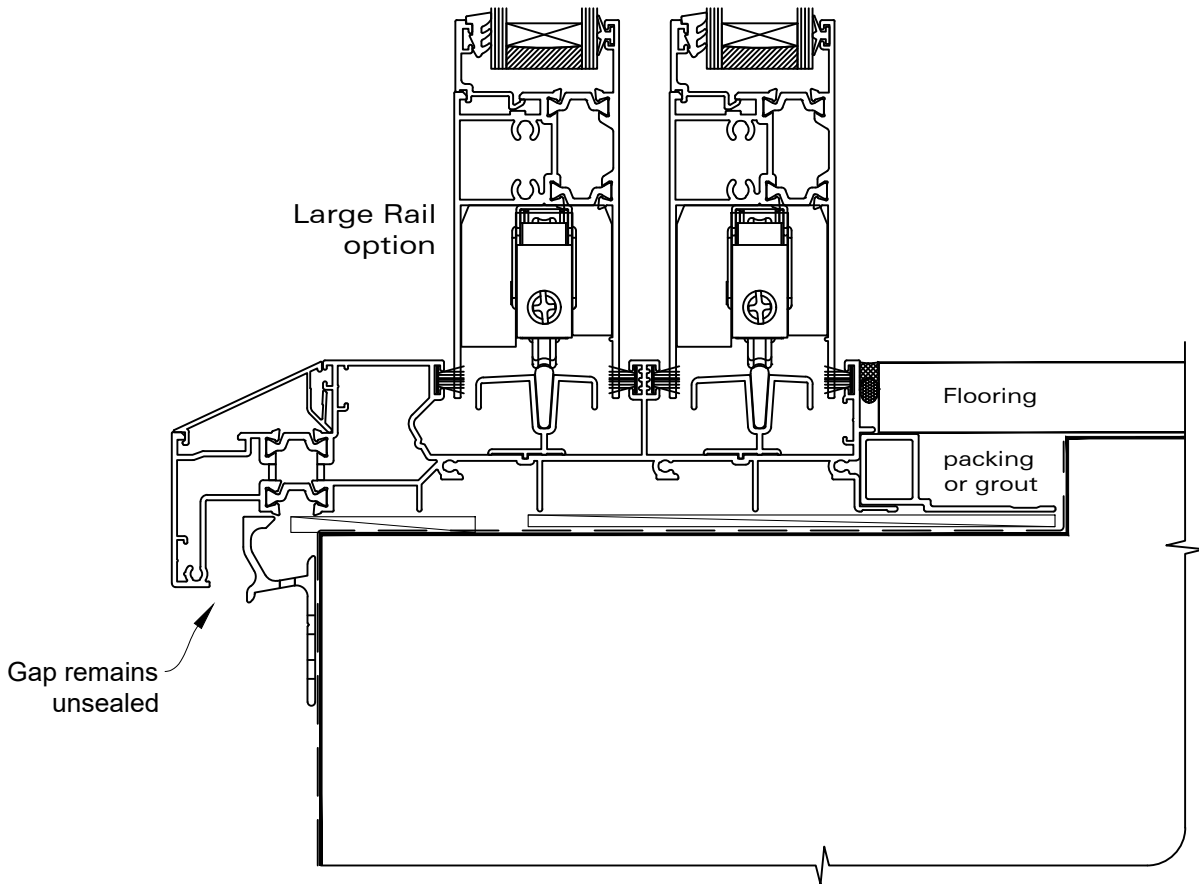


# INSTALLATION DETAIL - RESIDENTIAL THERMAL HEART SLIDING DOOR ON STUCCO CAVITY CONSTRUCTION

Date: 01.04.22

Scale: 1:2

CAD Ref.: TRMDST-CS





# INSTALLATION DETAIL - RESIDENTIAL THERMAL HEART SLIDING DOOR ON STUCCO CAVITY CONSTRUCTION

Date: 01.04.22

Scale: 1:2

CAD Ref.: TRMDST-CS2

