

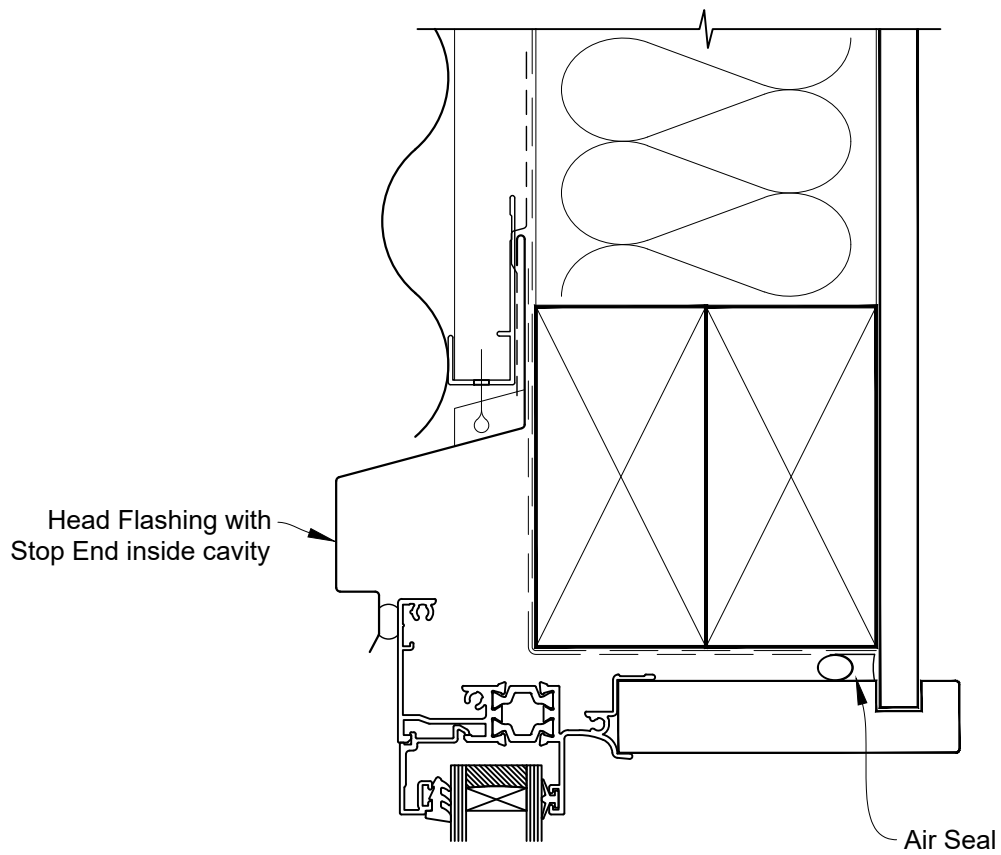


INSTALLATION DETAIL - RESIDENTIAL THERMAL HEART AWNING WINDOW ON PROFILE METAL CAVITY CONSTRUCTION

Date: 01.04.22

Scale: 1:2

CAD Ref.: TRAWPM-CH



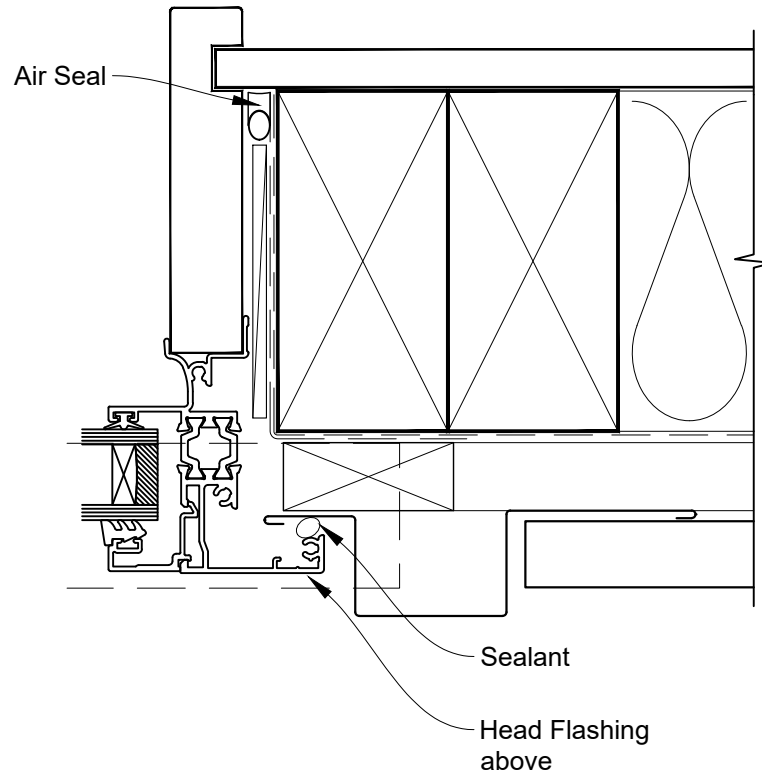


INSTALLATION DETAIL - RESIDENTIAL THERMAL HEART AWNING WINDOW ON PROFILE METAL CAVITY CONSTRUCTION

Date: 01.04.22

Scale: 1:2

CAD Ref.: TRAWPM-CJ



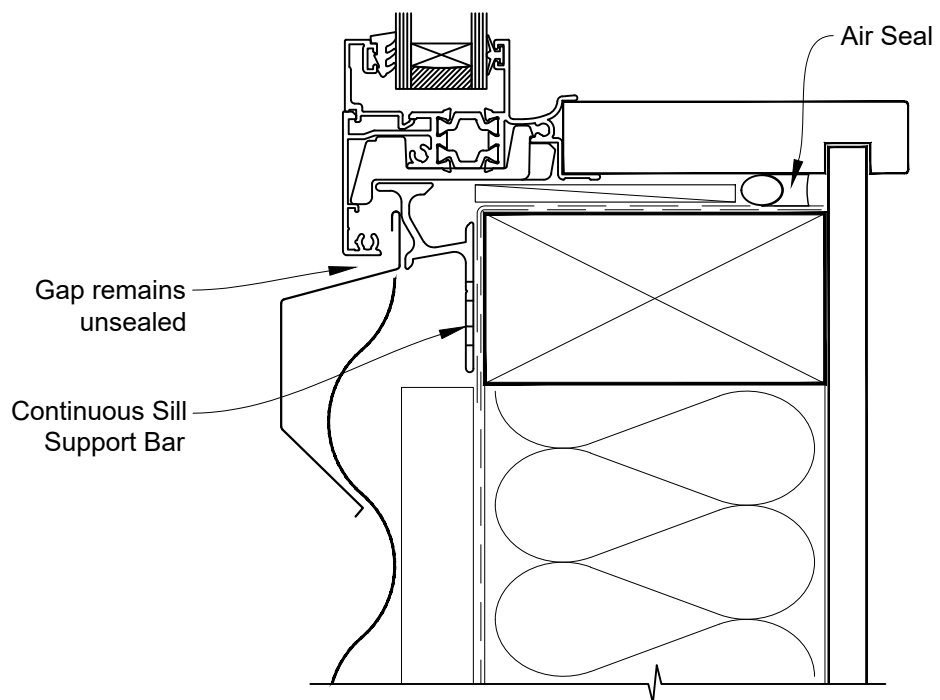


INSTALLATION DETAIL - RESIDENTIAL THERMAL HEART AWNING WINDOW ON PROFILE METAL CAVITY CONSTRUCTION

Date: 01.04.22

Scale: 1:2

CAD Ref.: TRAWPM-CS



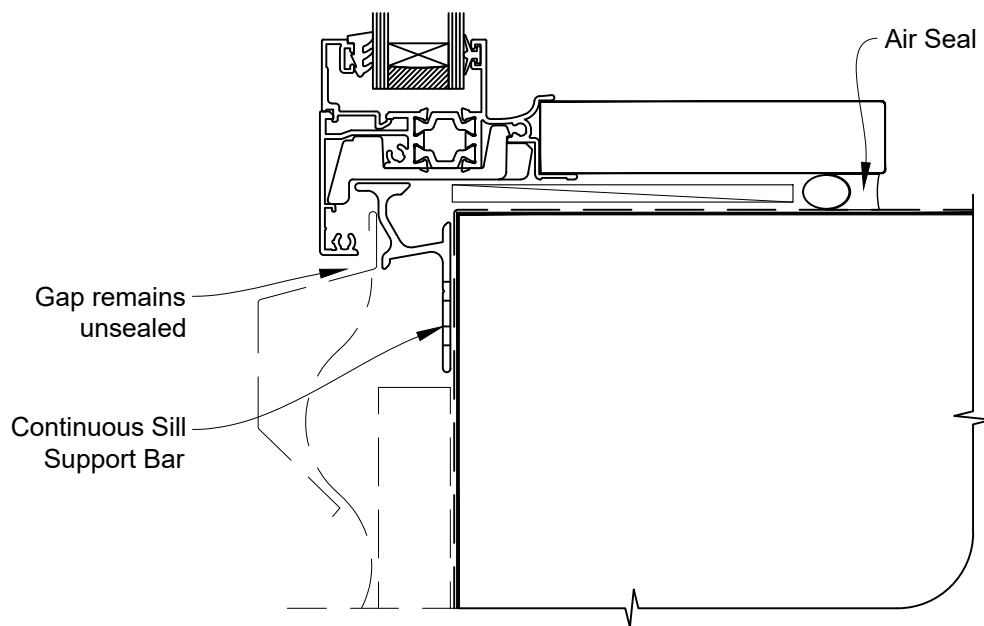


INSTALLATION DETAIL - RESIDENTIAL THERMAL HEART AWNING WINDOW ON PROFILE METAL CAVITY CONSTRUCTION

Date: 01.04.22

Scale: 1:2

CAD Ref.: TRAWPM-CS2



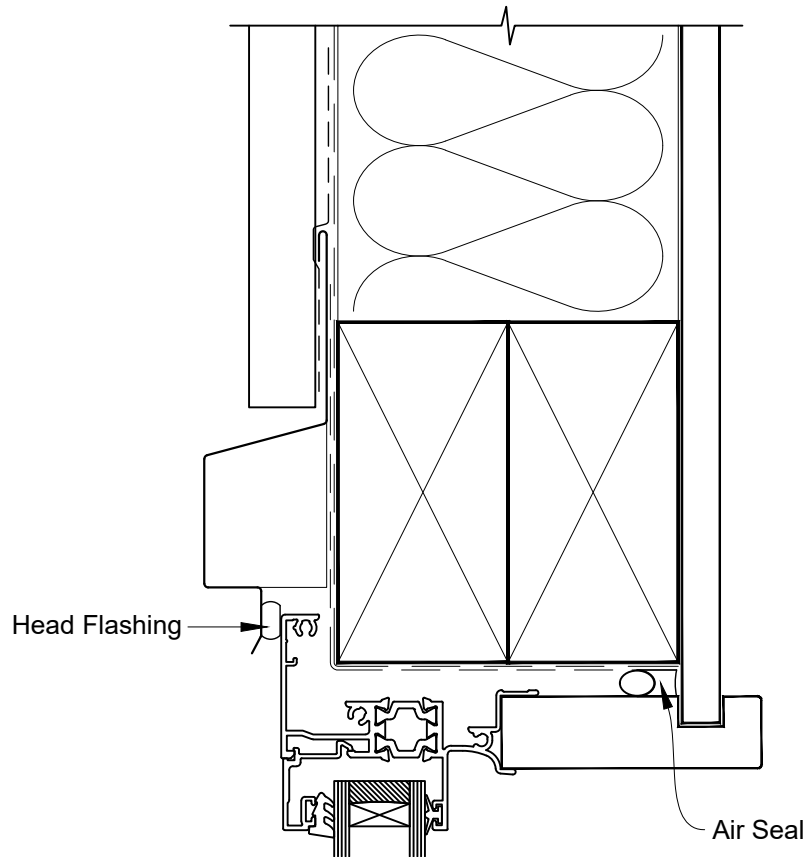


INSTALLATION DETAIL - RESIDENTIAL THERMAL HEART AWNING WINDOW ON PROFILE METAL DIRECT FIXED CLADDING

Date: 01.04.22

Scale: 1:2

CAD Ref.: TRAWPM-DH



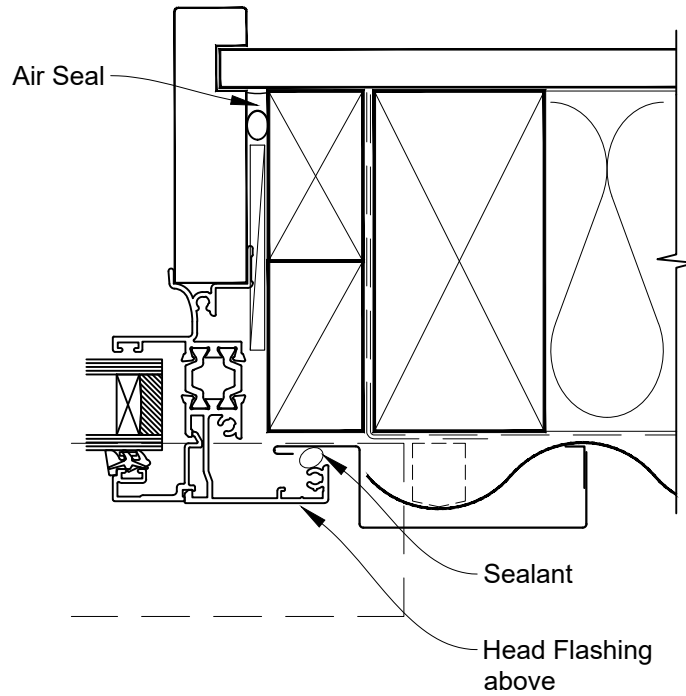


INSTALLATION DETAIL - RESIDENTIAL THERMAL HEART AWNING WINDOW ON PROFILE METAL DIRECT FIXED CLADDING

Date: 01.04.22

Scale: 1:2

CAD Ref.: TRAWPM-DJ



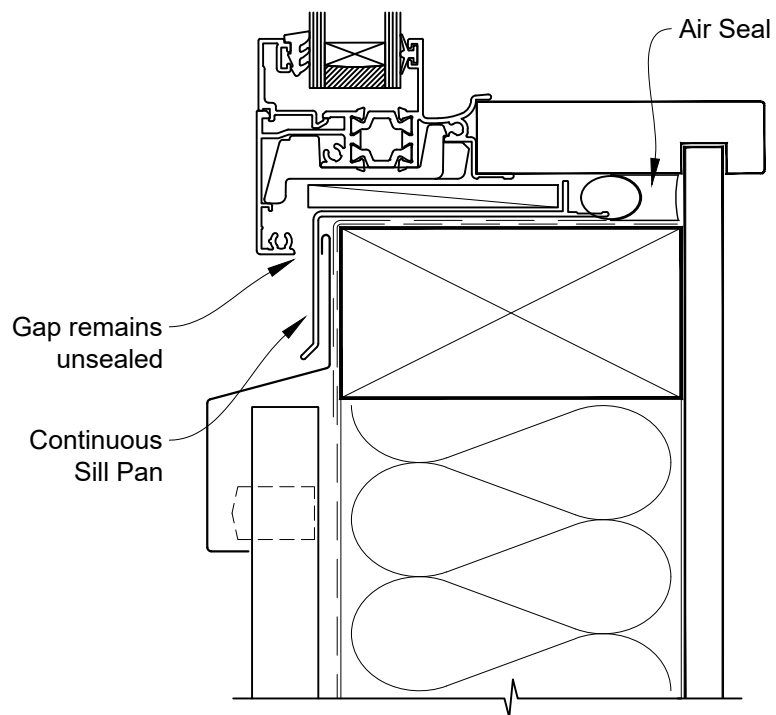


INSTALLATION DETAIL - RESIDENTIAL THERMAL HEART AWNING WINDOW ON PROFILE METAL DIRECT FIXED CLADDING

Date: 01.04.22

Scale: 1:2

CAD Ref.: TRAWPM-DS





INSTALLATION DETAIL - RESIDENTIAL THERMAL HEART AWNING WINDOW ON PROFILE METAL DIRECT FIXED CLADDING

Date: 01.04.22

Scale: 1:2

CAD Ref.: TRAWPM-DS2

