

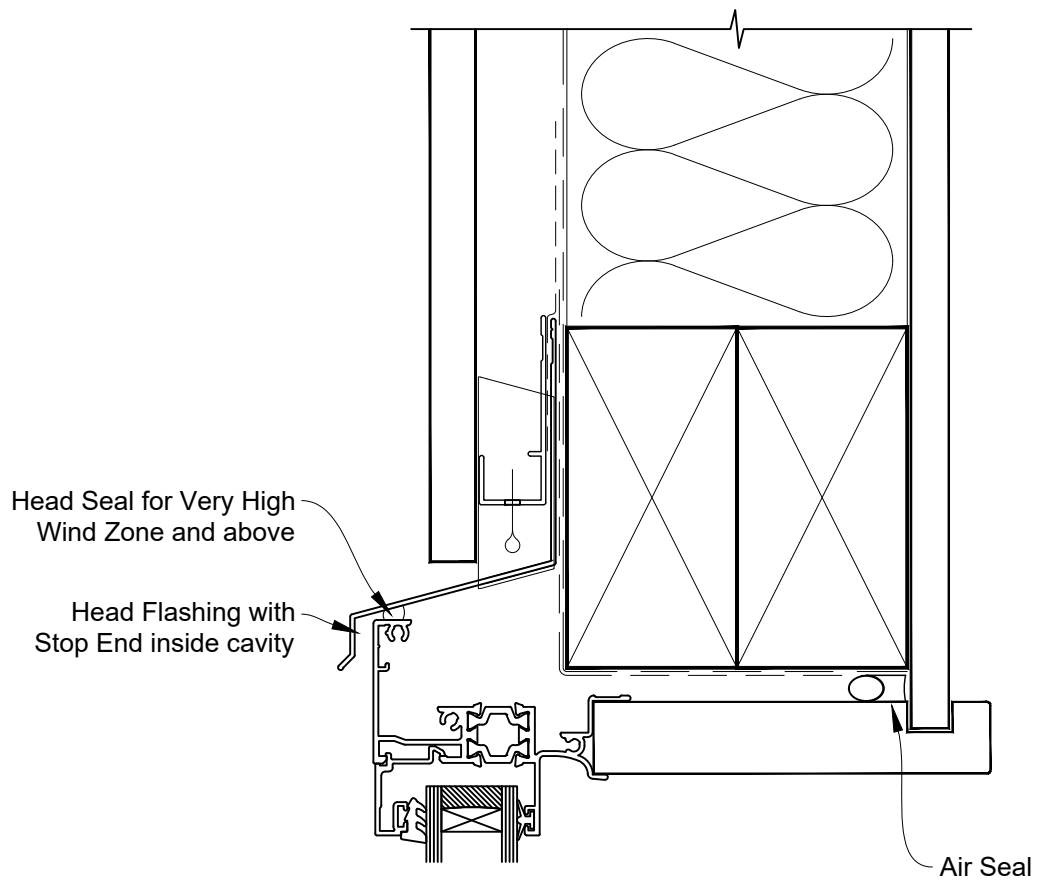


INSTALLATION DETAIL - RESIDENTIAL THERMAL HEART AWNING WINDOW ON FLAT SHEET CAVITY CONSTRUCTION

Date: 01.04.22

Scale: 1:2

CAD Ref.: TRAWFS-CH



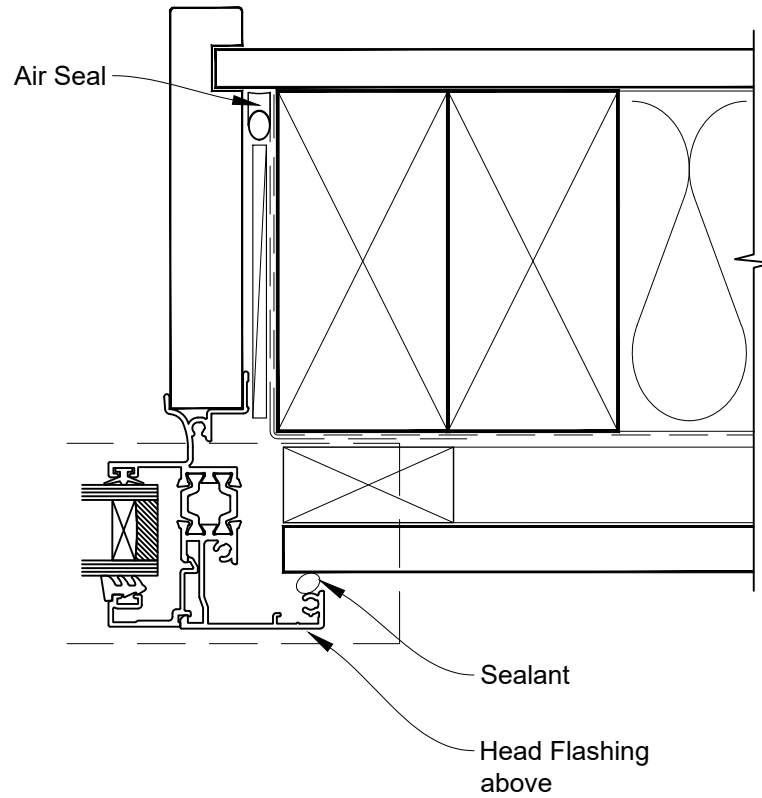


INSTALLATION DETAIL - RESIDENTIAL THERMAL HEART AWNING WINDOW ON FLAT SHEET CAVITY CONSTRUCTION

Date: 01.04.22

Scale: 1:2

CAD Ref.: TRAWFS-CJ



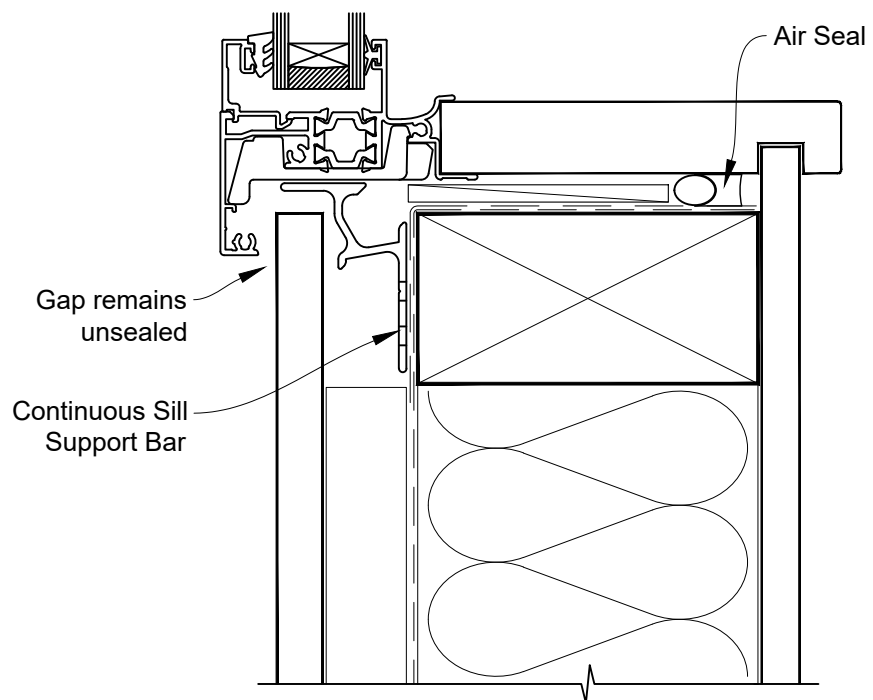


INSTALLATION DETAIL - RESIDENTIAL THERMAL HEART AWNING WINDOW ON FLAT SHEET CAVITY CONSTRUCTION

Date: 01.04.22

Scale: 1:2

CAD Ref.: TRAWFS-CS



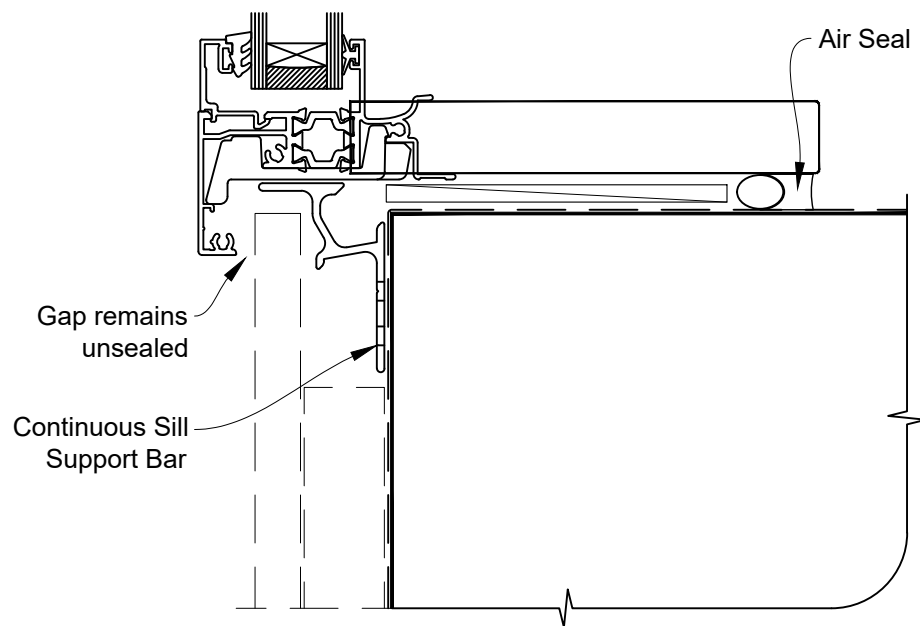


INSTALLATION DETAIL - RESIDENTIAL THERMAL HEART AWNING WINDOW ON FLAT SHEET CAVITY CONSTRUCTION

Date: 01.04.22

Scale: 1:2

CAD Ref.: TRAWFS-CS2



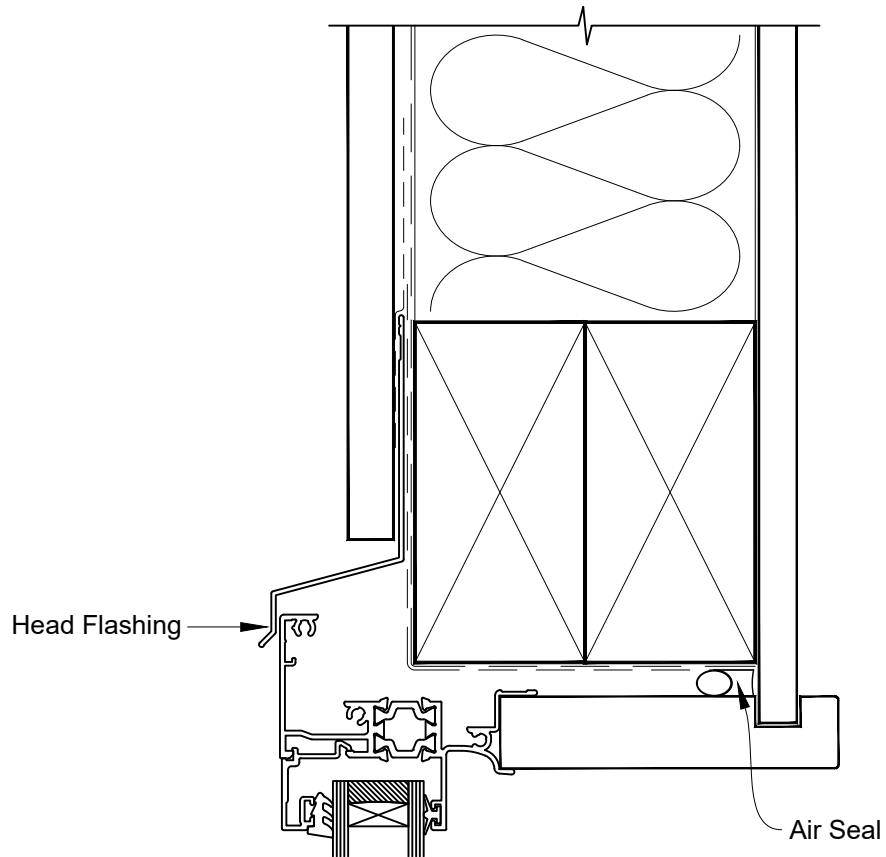


INSTALLATION DETAIL - RESIDENTIAL THERMAL HEART AWNING WINDOW ON FLAT SHEET DIRECT FIXED CLADDING

Date: 01.04.22

Scale: 1:2

CAD Ref.: TRAWFS-DH



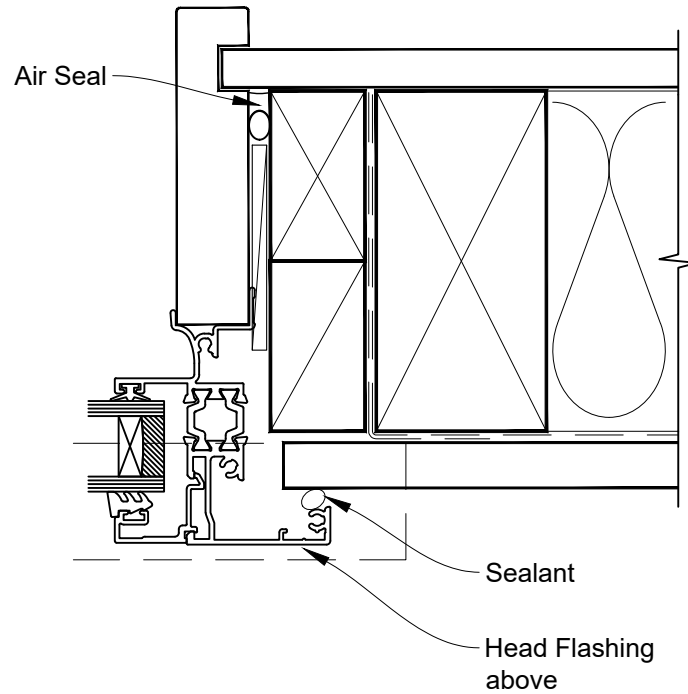


INSTALLATION DETAIL - RESIDENTIAL THERMAL HEART AWNING WINDOW ON FLAT SHEET DIRECT FIXED CLADDING

Date: 01.04.22

Scale: 1:2

CAD Ref.: TRAWFS-DJ



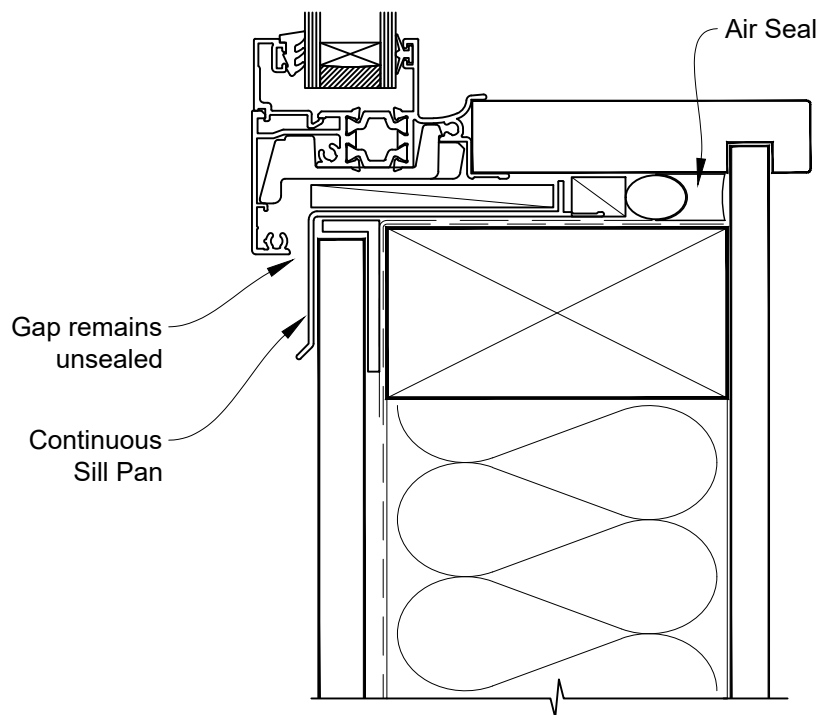


INSTALLATION DETAIL - RESIDENTIAL THERMAL HEART AWNING WINDOW ON FLAT SHEET DIRECT FIXED CLADDING

Date: 01.04.22

Scale: 1:2

CAD Ref.: TRAWFS-DS





INSTALLATION DETAIL - RESIDENTIAL THERMAL HEART AWNING WINDOW ON FLAT SHEET DIRECT FIXED CLADDING

Date: 01.04.22

Scale: 1:2

CAD Ref.: TRAWFS-DS2

