

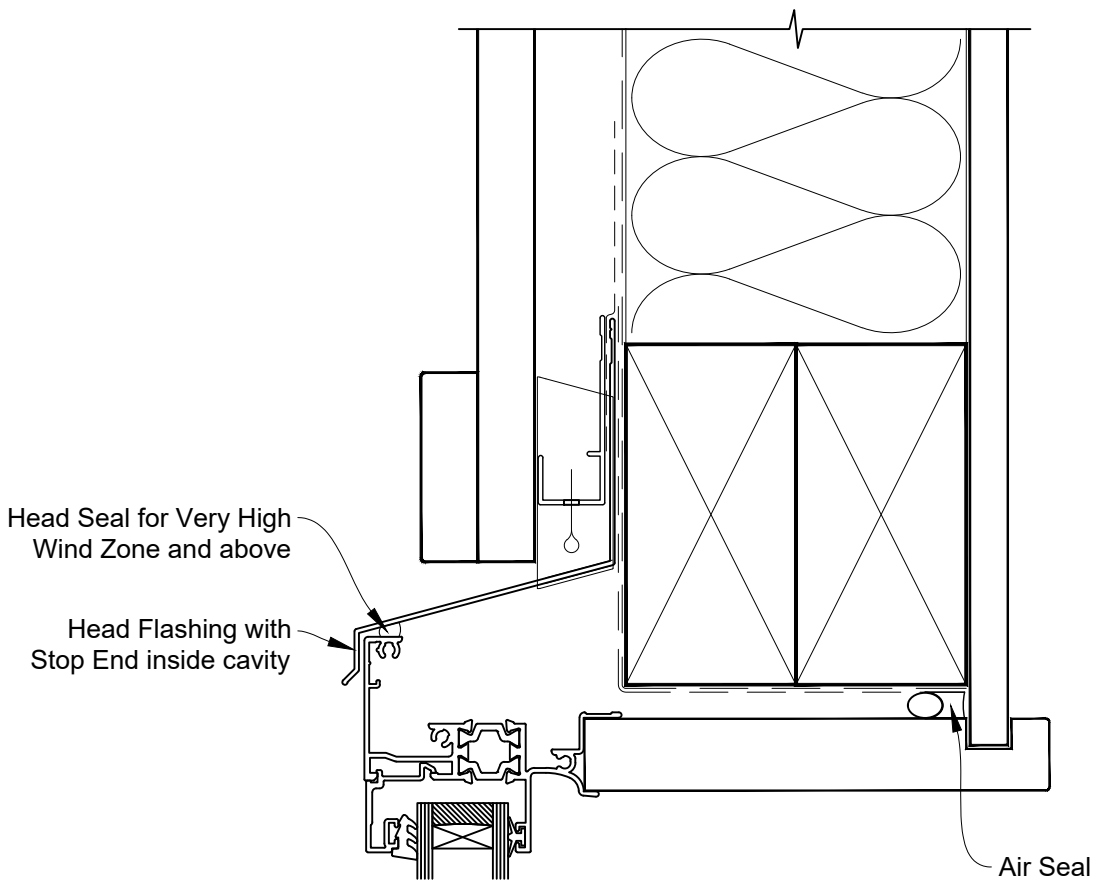


# INSTALLATION DETAIL - RESIDENTIAL THERMAL HEART AWNING WINDOW ON BOARD & BATTEN CAVITY CONSTRUCTION

Date: 01.04.22

Scale: 1:2

CAD Ref.: TRAWBB-CH



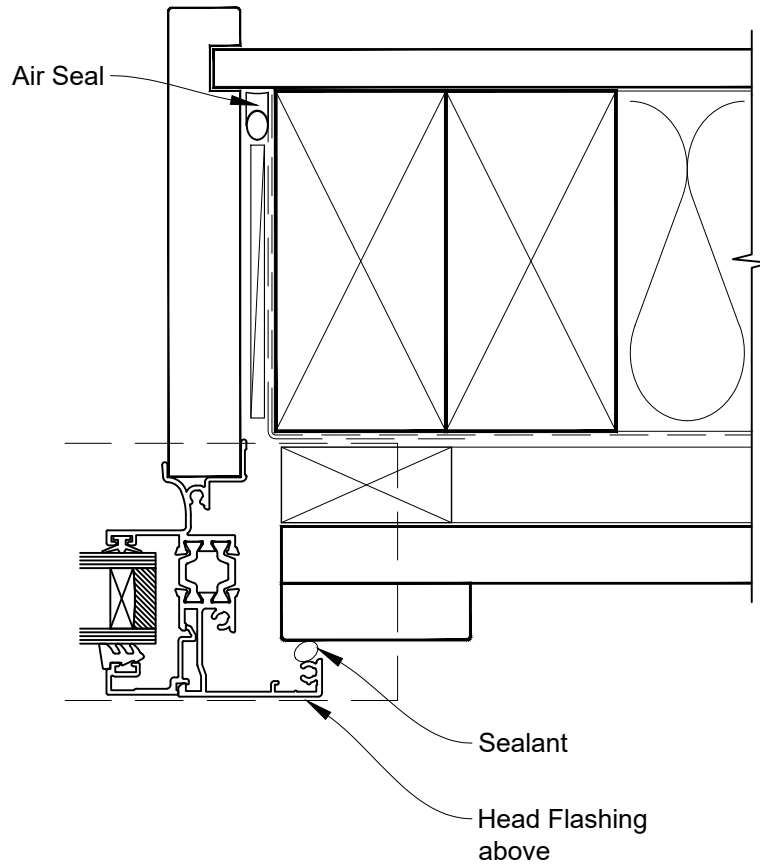


# INSTALLATION DETAIL - RESIDENTIAL THERMAL HEART AWNING WINDOW ON BOARD & BATTEN CAVITY CONSTRUCTION

Date: 01.04.22

Scale: 1:2

CAD Ref.: TRAWBB-CJ



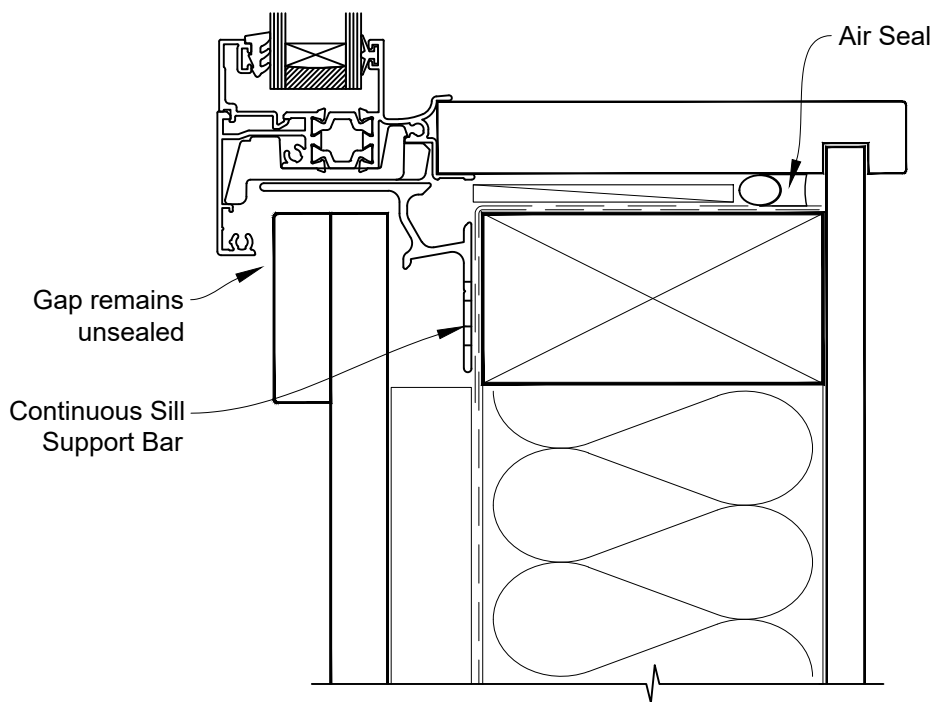


# INSTALLATION DETAIL - RESIDENTIAL THERMAL HEART AWNING WINDOW ON BOARD & BATTEN CAVITY CONSTRUCTION

Date: 01.04.22

Scale: 1:2

CAD Ref.: TRAWBB-CS



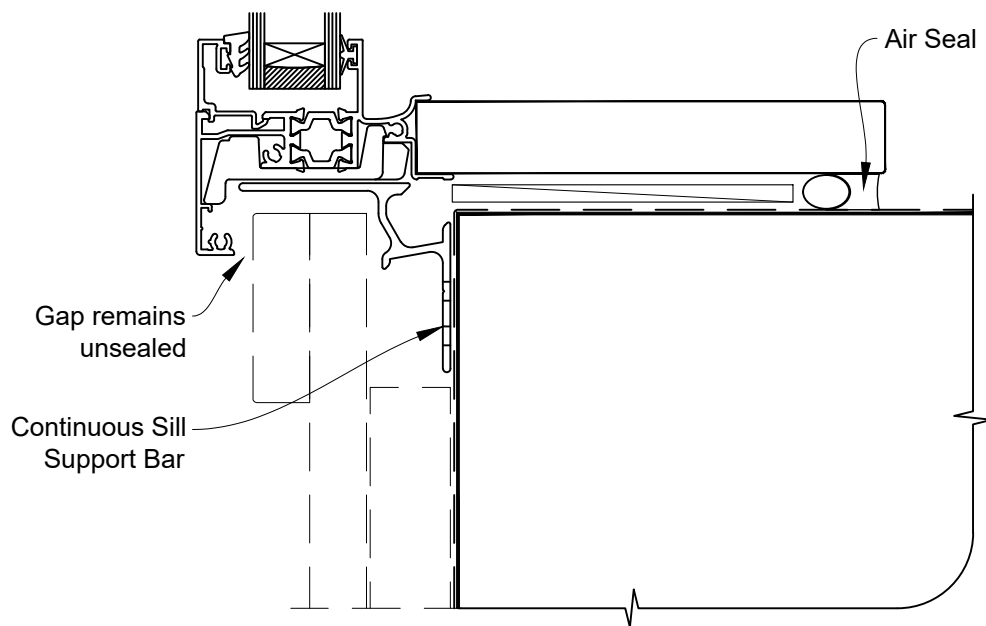


# INSTALLATION DETAIL - RESIDENTIAL THERMAL HEART AWNING WINDOW ON BOARD & BATTEN CAVITY CONSTRUCTION

Date: 01.04.22

Scale: 1:2

CAD Ref.: TRAWBB-CS2



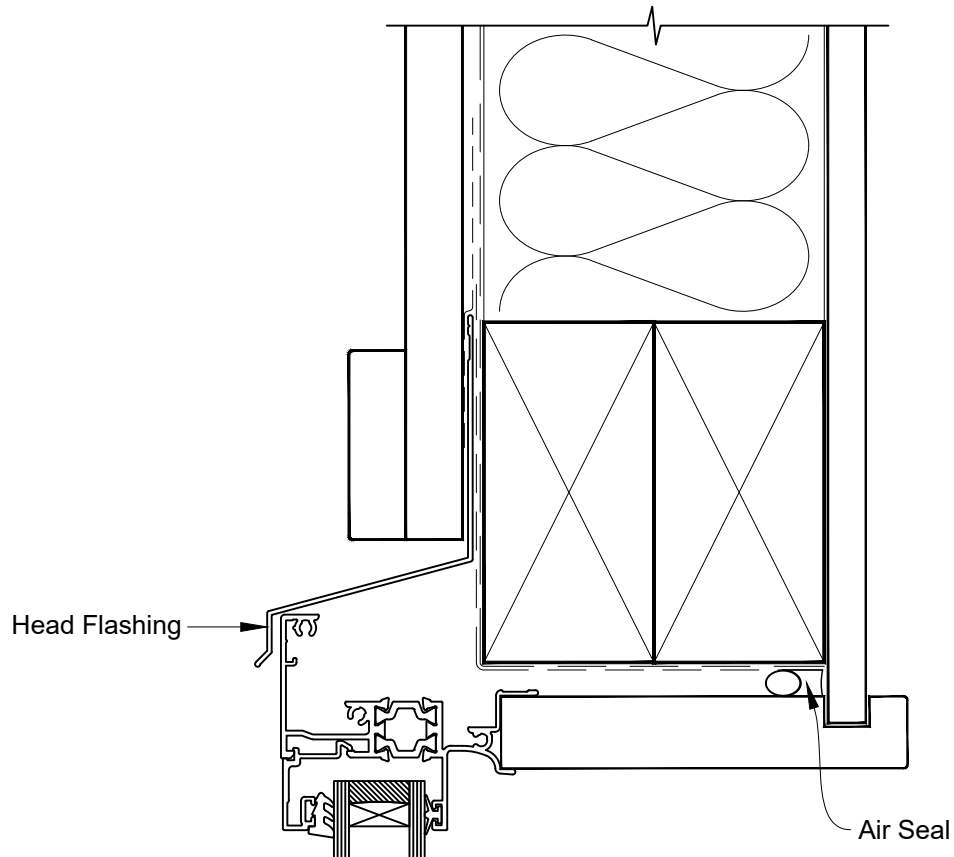


# INSTALLATION DETAIL - RESIDENTIAL THERMAL HEART AWNING WINDOW ON BOARD & BATTEN DIRECT FIXED CLADDING

Date: 01.04.22

Scale: 1:2

CAD Ref.: TRAWBB-DH



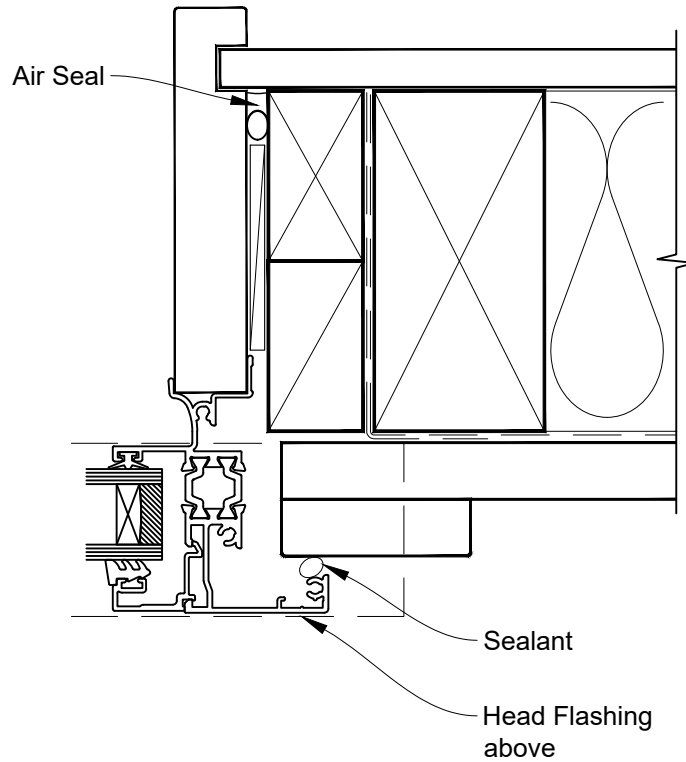


# INSTALLATION DETAIL - RESIDENTIAL THERMAL HEART AWNING WINDOW ON BOARD & BATTEN DIRECT FIXED CLADDING

Date: 01.04.22

Scale: 1:2

CAD Ref.: TRAWBB-DJ



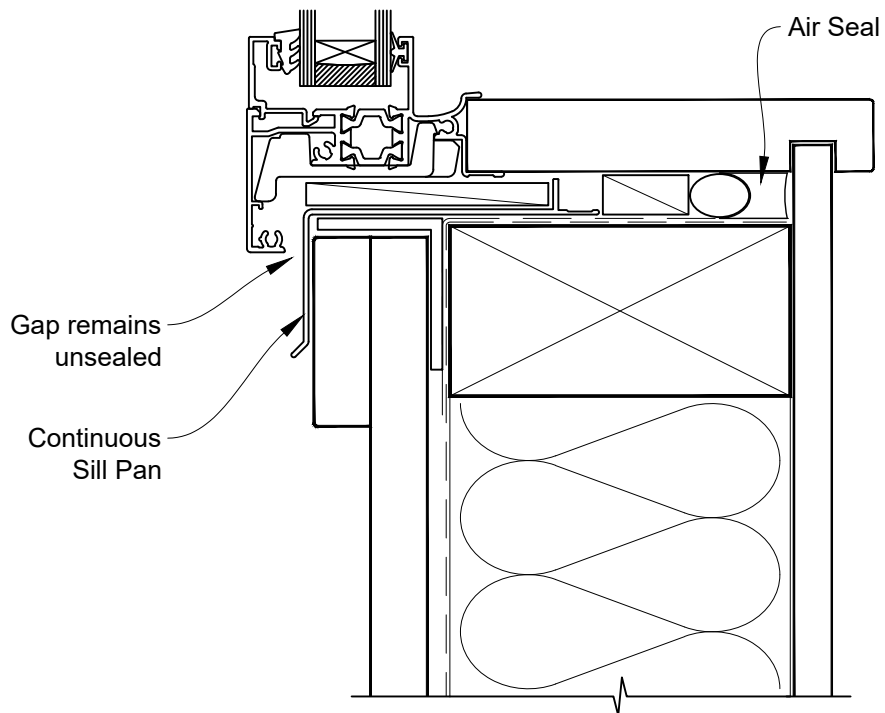


# INSTALLATION DETAIL - RESIDENTIAL THERMAL HEART AWNING WINDOW ON BOARD & BATTEN DIRECT FIXED CLADDING

Date: 01.04.22

Scale: 1:2

CAD Ref.: TRAWBB-DS





# INSTALLATION DETAIL - RESIDENTIAL THERMAL HEART AWNING WINDOW ON BOARD & BATTEN DIRECT FIXED CLADDING

Date: 01.04.22

Scale: 1:2

CAD Ref.: TRAWBB-DS2

