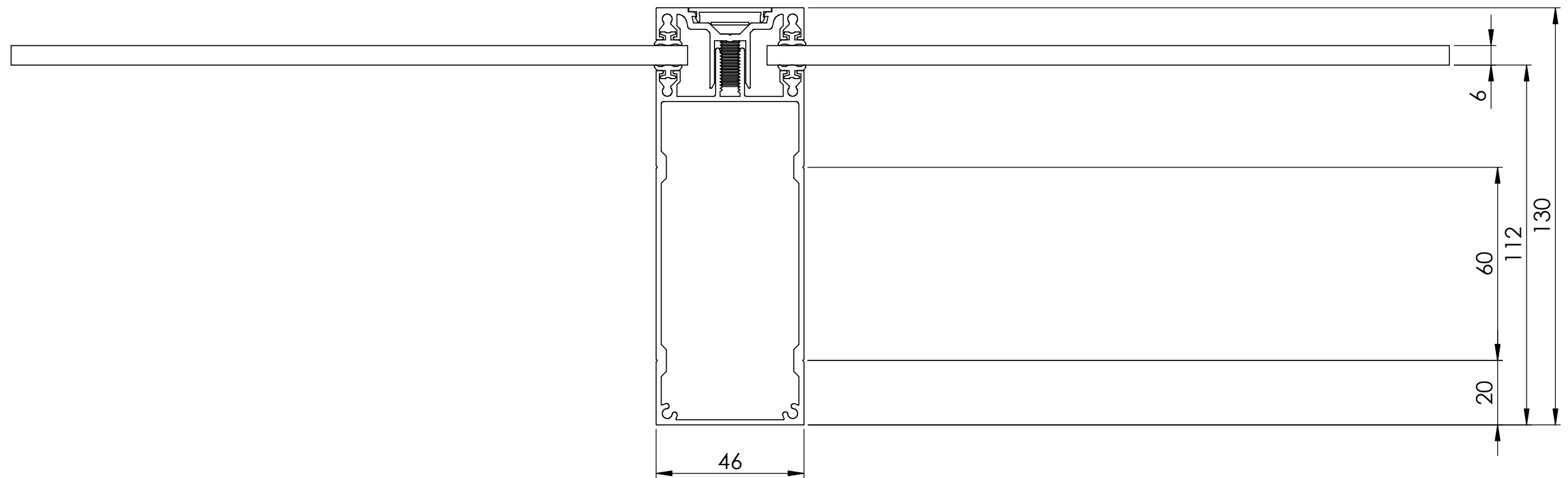


ClearSpan F150 Glazing Box

Part No.



UGS PO Box 84 262, Westgate, Auckland 0657 New Zealand Phone: +64 9 838 6429 www.ugs.co.nz	Description and Notes: ClearSpan F150 Glazing Box	Material:	Vendor:	Weight (Kg):	Design by: Peter Herrick	Date: 4/28/2022
		Finish:	Vendor Ref:	Area (m2):	Drawn by: G.Termeh	Sheet: 1 of 1
				Units: Metric (mm & Kg) Scale: N/A	Drawing No.	Rev: