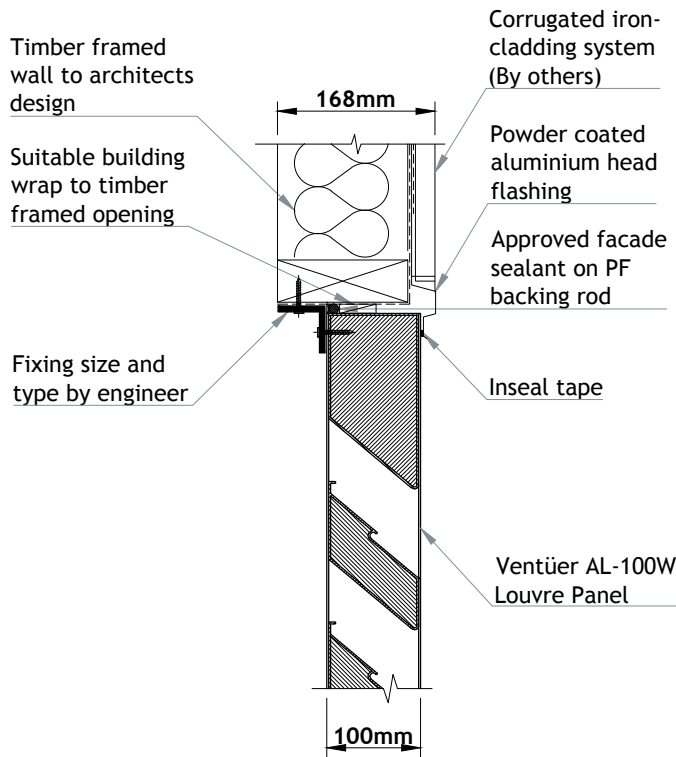
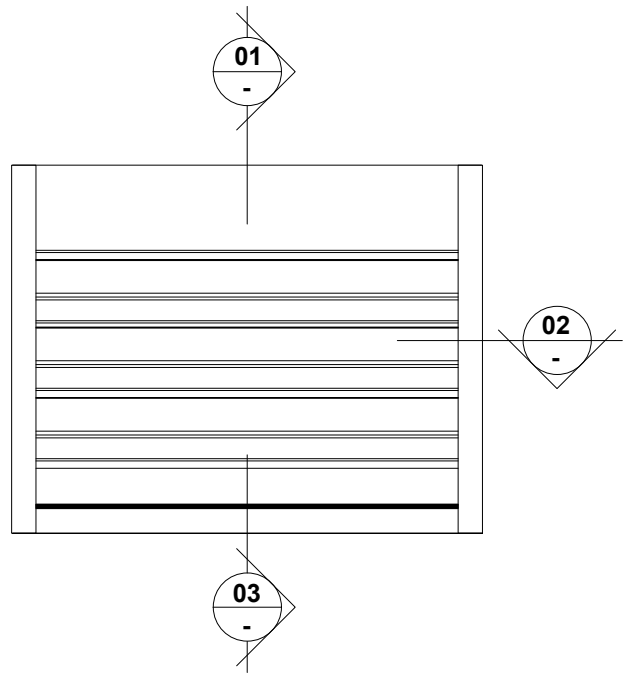


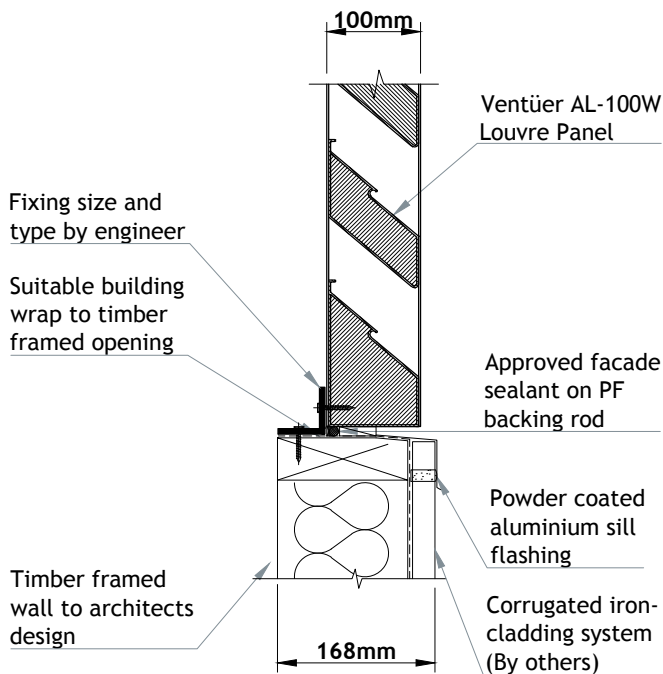
VENTÜER TECHNICAL DATA SHEET



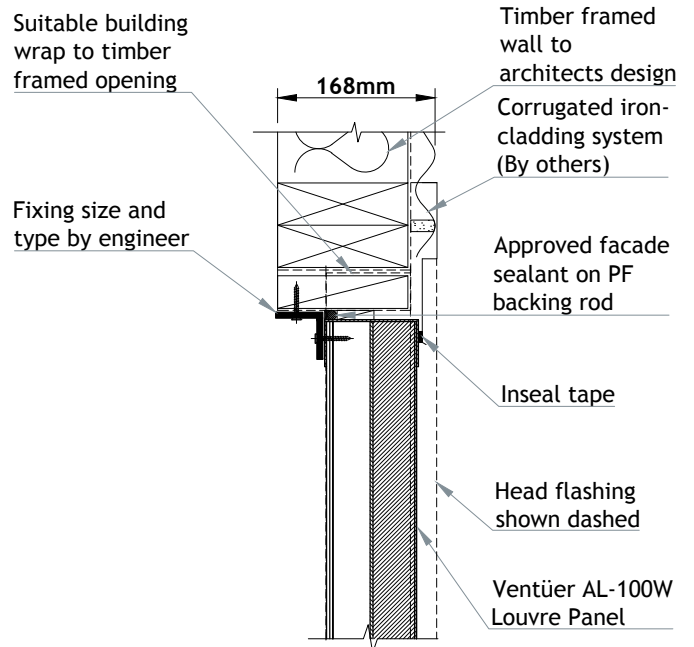
AL-100W (CHANNEL FRAME)
HEAD DETAIL 01
SCALE 1 : 8



AL-100W LOUVRE (CHANNEL FRAME)
SCALE - NTS



AL-100W (CHANNEL FRAME)
SILL DETAIL 03
SCALE 1 : 8



AL-100W (CHANNEL FRAME)
JAMB DETAIL 02
SCALE 1 : 8

ACOUSTIC LOUVRE

AL-100W

FIXING TO VERTICAL CORRUGATED IRON



VENTÜER
High-Performance Building Ventilation

P: +64 9 973 3616
W: ventuer.co.nz
© 2019 All rights reserved

Scale: 1 : 8
Date: 09/07/2019

AL-100W Ver.1