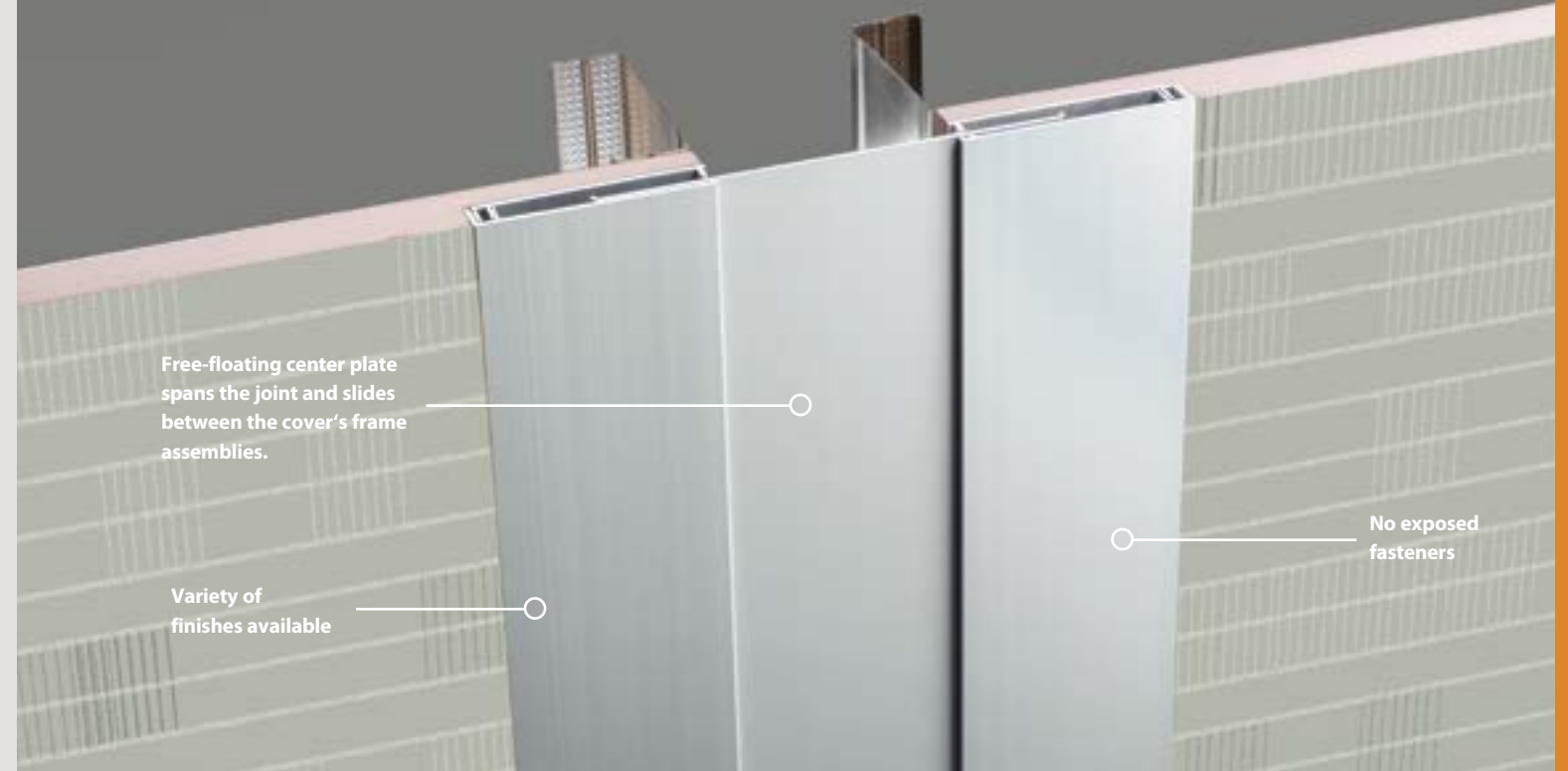
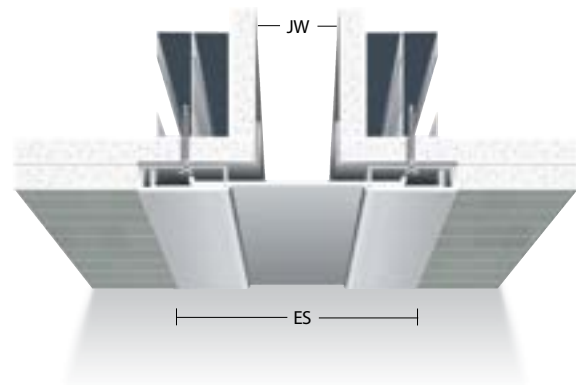


Allway™ Metal Wall and Ceiling Covers 1" and Up

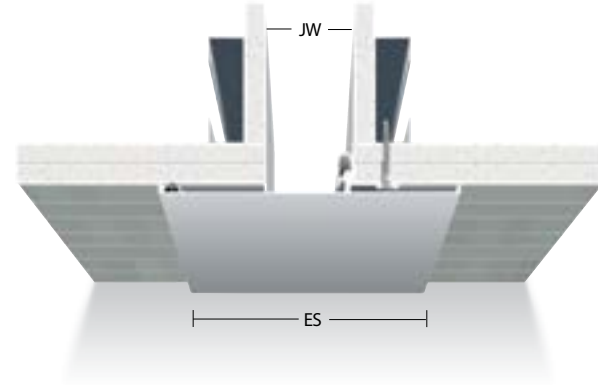
These metal covers for interior applications are designed as durable options in high use areas.



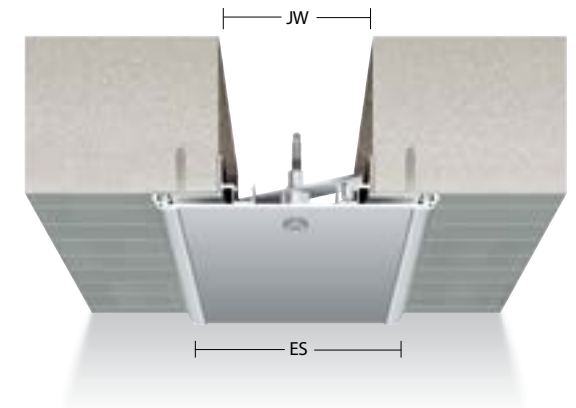
AFW



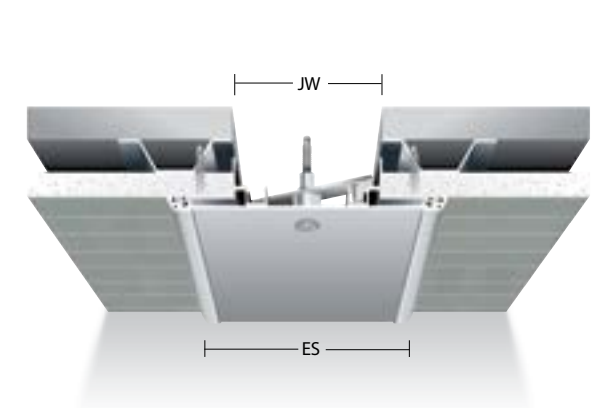
ASM



SFW



SFC



MODEL DATA

WALL TO WALL COVERS

JOINT WIDTH	1"	2"	3"	4"	1"	2"	3"	4"	4"	8"	12"	16"
MINIMUM OPENING	0.25"	0.38"	0.00"	1.00"	0.38"	0.38"	0.38"	0.38"	2.88"	2.88"	2.88"	2.88"
MAXIMUM OPENING	1.88"	3.50"	6.38"	7.38"	1.50"	3.00"	6.00"	6.00"	7.25"	14.13"	18.50"	25.88"
EXPOSED SURFACE	5.00"	7.75"	10.75"	11.75"	3.13"	4.63"	7.63"	7.63"	7.50"	15.00"	21.00"	27.00"
SPECIFY MODEL	AFW 100	AFW 200	AFW 300	AFW 400	ASM 100	ASM 200	ASM 300	ASM 400	SFW 400	SFW 800	SFW 1200	SFW 1600

CORNER WALL COVERS

JOINT WIDTH	1"	2"	3"	4"	1"	2"	3"	4"	4"	8"	12"	16"
MINIMUM OPENING	0.63"	1.19"	1.50"	2.50"	0.50"	0.50"	0.50"	0.50"	0.00"	5.44"	7.44"	9.44"
MAXIMUM OPENING	1.44"	2.75"	4.69"	5.69"	1.50"	3.00"	6.00"	6.00"	5.50"	11.06"	15.25"	19.44"
EXPOSED SURFACE	2.38"	4.25"	6.25"	7.25"	1.88"	3.38"	6.38"	6.38"	5.75"	11.50"	16.25"	21.50"
SPECIFY MODEL	AFWC 100	AFWC 200	AFWC 300	AFWC 400	ASMC 100	ASMC 200	ASMC 300	ASMC 400	SCW 400	SCW 800	SCW 1200	SCW 1600

SFC and SFW have the same model data. For odd and larger sized joints, call 800.233.8493 or visit www.c-sgroup.com/ejc.
 Note: additional wall and ceiling cover models SFW and SFC are available. Go to www.c-sgroup.com/ejc.

For comprehensive information on these products, visit www.c-sgroup.com/ejc.