



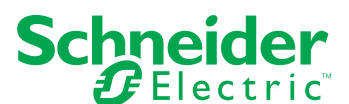
Clipsal Solis™

Technical Catalogue



pdl.co.nz

Life Is On





Contents

Presentation.....	04-09
Clipsal Solis™	10-27
Sockets.....	11-14
Switches.....	15-23
Adaptors.....	24-27
Clipsal Solis™ T Series.....	28-47
Sockets.....	29-32
Switches.....	33-41
Adaptors.....	42-47
Mounting Accessories.....	48-50
Wiring Diagrams.....	54-56
References.....	57



Welcome to Clipsal Solis™

At PDL, we are committed to redefining modern living through innovation and design excellence and are proud to bring the Clipsal Solis Collection to the New Zealand market.

Derived from the Latin word for “sun”, Solis is an exciting benchmark in interior design for Kiwi homes. Based on a vision to seamlessly blend cutting-edge technology with timeless aesthetics, creating products that not only enhance a space but also elevates lifestyle.

Experience the Essence of Innovation

Step into a world where form meets function, where every detail is meticulously crafted not only to enhance the design aesthetic within home spaces, but also to simplify the functionality for homeowners.

“What we do fundamentally has a function first, and that function is the most important thing. So the design is more about elevating that to something that is pleasing, or expressing that function in a really interesting, novel, or high quality way.”

Tim Turrini-Rochford, Schneider Electric’s VP Design Asia Pacific

The simplicity of detail offers a curated range of products that seamlessly integrate into environments, providing design solutions for modern living.



Realise a Creative Vision

With Clipsal Solis, creativity knows no bounds. Our range of intuitive products empowers you to personalise spaces in accordance with the design vision.

From customisable lighting solutions to innovative home automation systems, Solis gives the freedom to express a creative vision like never before. Imagine the possibilities as you effortlessly create the perfect vision without compromise.

Adaptable to Different Environments

Experience the transformative nature of the Solis Collection as it elevates room environments to new heights. Whether designing a contemporary home with contrasting materials or cutting-edge minimalistic spaces, our products are designed to seamlessly integrate into any setting.

Immerse yourself in a world of possibilities, where every option is defined by innovation and elegance.

The Promise of Quality

With the Solis Collection, our commitment to quality is uncompromising. We pride ourselves on using only the finest materials and the latest manufacturing techniques to ensure that each product meets the highest standards of excellence.

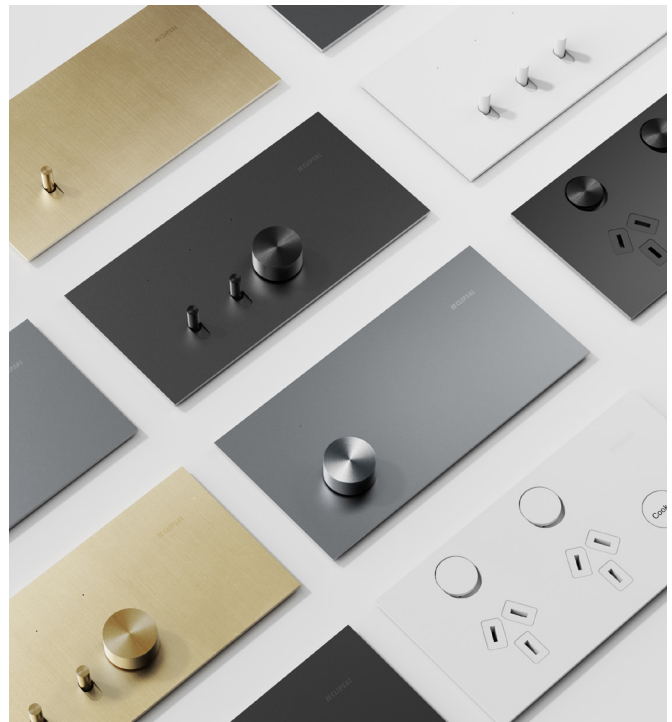
From design concept to final production, we are dedicated to delivering uncompromising quality in every detail with an emphasis on the build quality and attention to detail, providing years of reliable performance and timeless style.

Clipsal Solis™ and Solis™ T Series

Two optimum ranges designed for high-end residential, providing a unique touch and feel experience. Both with smart features for complete control and flexibility, each range offers ease of installation and reliability that you are accustomed to from PDL by Schneider Electric.



Clipsal Solis is monochromatic simplicity at its finest. With two smooth finishes, Matt White and Matt Black, this push button and switch design sits flush in an ultra-slim cover for an elegant addition to a home.



Clipsal Solis T Series is a unique design made with authentic materials, creating the ultimate tactile experience. It is available in four premium finishes: Platinum Aluminium, Ebony Aluminium, Living Brass and White Ceramic.



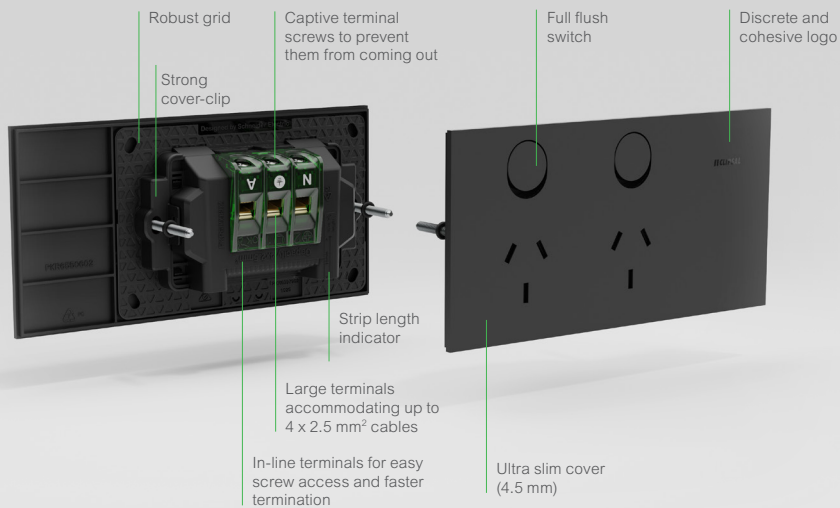
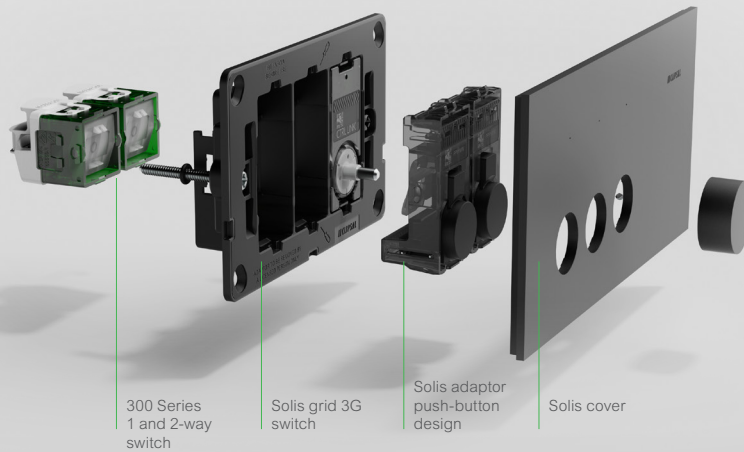
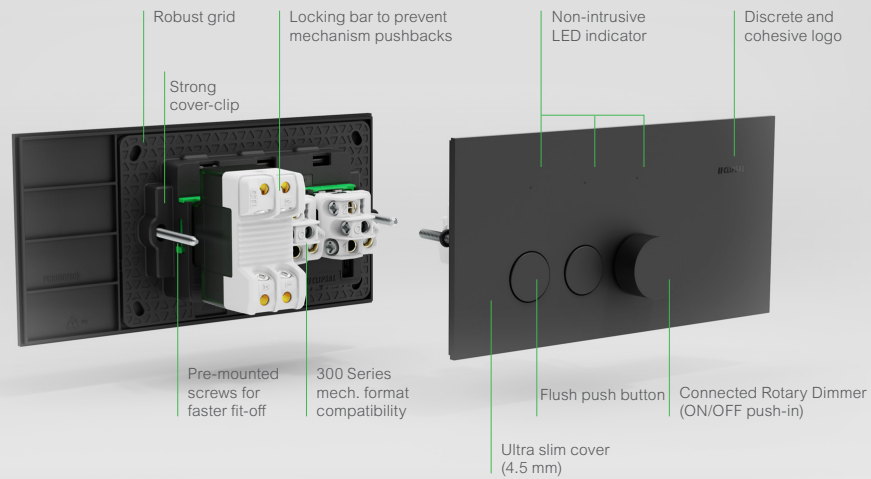
Join the Clipsal Solis Era

Join us in embracing the next level of design innovation with the Solis Collection. Discover how our unparalleled range of products can transform a space into a masterpiece of modern living.

Visit pdl.co.nz/solis to learn more about our products and how the Solis Collection can transform any space into a sanctuary of style and sophistication.

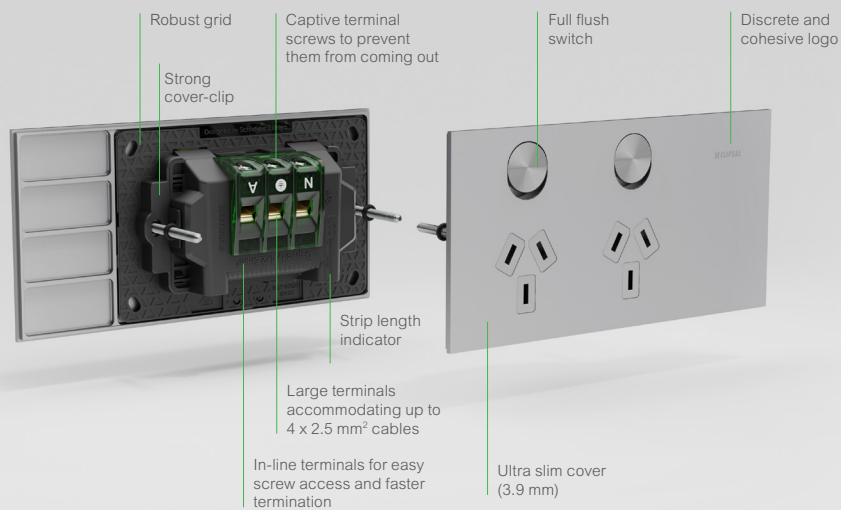
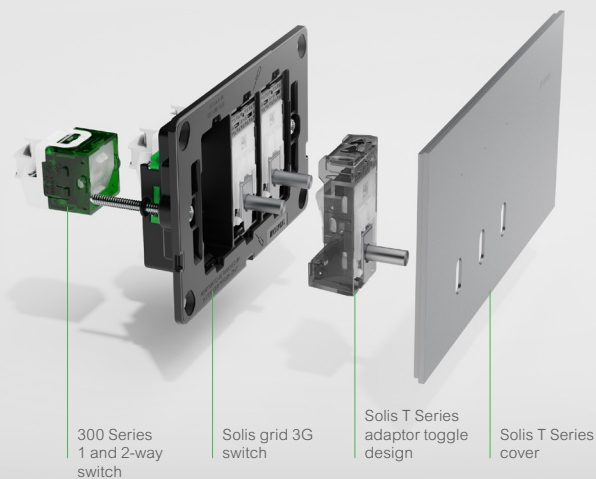
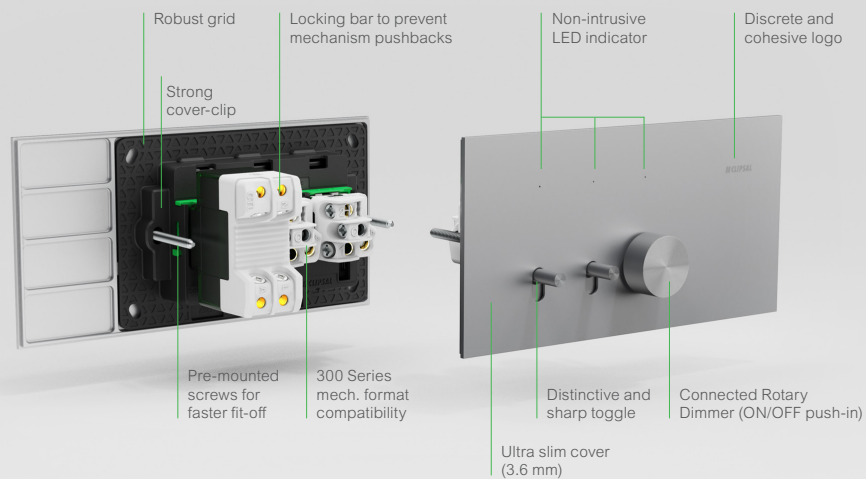
Clipsal Solis™

Switch and Power Point Overview



Clipsal Solis™ T Series

Switch and Power Point Overview



Clipsal Solis™



Sockets

1010CSZ

Single Connected Switched Socket (Zigbee)

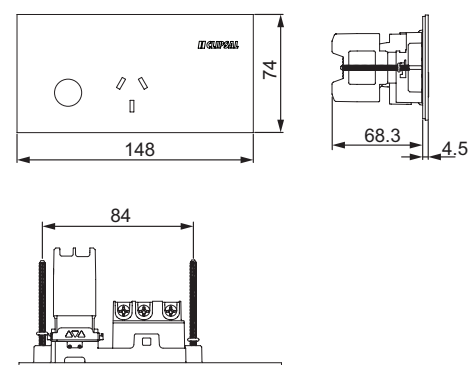
Main		
Range	Clipsal Solis	
Commercial reference	1010CSZ-ZW	1010CSZ-ZB
Product color	<input type="checkbox"/> White	<input checked="" type="checkbox"/> Black
Product type	Switched socket	
Mobile app	Wiser Home	
Outlet standard	AS/NZS 3112	

Complementary	
Rated voltage	230/240 V AC 50 Hz
Rated current	10 A
Number of outlets	1
Number of switches	1
Facia material	Plastic
Surface finish	Matt
Surface treatment	Painted
Installation orientation	Horizontal only
Control type	Push button
Protection	With shutter
Communication network type	Wireless Zigbee (2405...2480 MHz), 10 mW at < 50 m
Memory description	Backup memory - date and time for 6 h
Mounting	Flush mounted
Mounting type	Screws
Mounting centers	84 mm
Screwdriver	Philips No 2 (PH2), square drive No 1 (SQ1)
Terminals type	Screw terminals
Terminals capacity	4 × 2.5 mm ² , 3 × 4.0 mm ²
Dimension (H × W × D)	74 × 148 × 68.3 mm
Stripping length	16 mm
Embedded depth	64 mm
Cover thickness	4.5 mm
Cut out (L × H)	95 × 54 mm
Product certifications	RCM

Packing Units	
Unit type of package	PCE
Number of units in package	1



Dimensions (mm)



For more detailed information, refer to the Wiser Guides online. Scan the QR code or follow the link:
https://www.productinfo.schneider-electric.com/wiser_home

Sockets

1025

Switched Socket Horizontal Twin 10 A

Main

Range	Clipsal Solis	
Commercial reference	1025-ZW	1025-ZB
Product color	<input type="checkbox"/> White	<input checked="" type="checkbox"/> Black
Product type	Switched socket	
Outlet standard	AS/NZS 3112	

Complementary

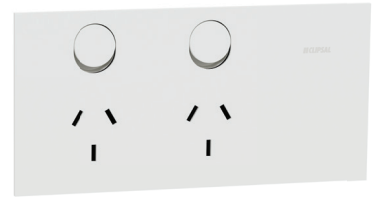
Rated voltage	230/240 V AC 50 Hz
Rated current	10 A
Number of outlets	2
Number of switches	2
Facia material	Plastic
Surface finish	Matt
Surface treatment	Painted
Installation orientation	Horizontal only
Control type	Flush rocker
Protection	With shutter
Mounting	Flush mounted
Mounting type	Screws
Mounting centers	84 mm
Screwdriver	Philips No 2 (PH2), square drive No 1 (SQ1)
Terminals type	Screw terminals
Terminals capacity	4 × 2.5 mm ² , 3 × 4.0 mm ²
Dimension (H × W × D)	74 × 148 × 28 mm
Stripping length	16 mm
Embedded depth	23.5 mm
Cover thickness	4.5 mm
Cut out (L × H)	95 × 54 mm

Environment

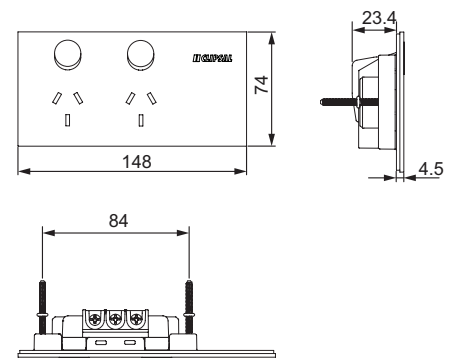
Product certifications	RCM
------------------------	-----

Packing Units

Unit type of package	PCE
Number of units in package	1



Dimensions (mm)



Sockets

1025XUA

Switched Socket Horizontal Twin 1 ExBLANK 10 A

Main

Range	Clipsal Solis	
Commercial reference	1025XUA-ZW	1025XUA-ZB
Product color	<input type="checkbox"/> White	<input checked="" type="checkbox"/> Black
Product type	Switched socket	
Outlet standard	AS/NZS 3112	

Complementary

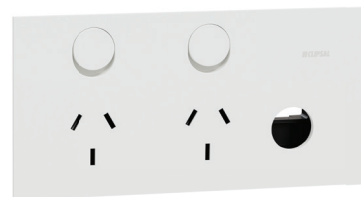
Rated voltage	230/240 V AC 50 Hz
Rated current	10 A
Number of outlets	2
Number of switches	2
Facia material	Plastic
Surface finish	Matt
Surface treatment	Painted
Installation orientation	Horizontal only
Control type	Flush rocker
Protection	With shutter
Additional function	Extra aperture
Mounting	Flush mounted
Mounting type	Screws
Mounting centers	120 mm
Screwdriver	Philips No 2 (PH2), square drive No 1 (SQ1)
Terminals type	Screw terminals
Terminals capacity	4 × 2.5 mm ² , 3 × 4.0 mm ²
Dimension (H × W × D)	74 × 148 × 28 mm
Stripping length	16 mm
Embedded depth	23.5 mm
Cover thickness	4.5 mm
Cut out (L × H)	131 × 54 mm

Environment

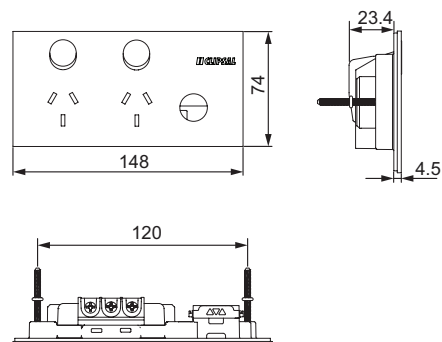
Product certifications	RCM
------------------------	-----

Packing Units

Unit type of package	PCE
Number of units in package	1



Dimensions (mm)



Sockets

1025USBC

Switched Socket Horizontal Twin Type C USB Fast Charger 10 A

Main

Range	Clipsal Solis	
Commercial reference	1025USBC-ZW	1025USBC-ZB
Product color	<input type="checkbox"/> White	<input checked="" type="checkbox"/> Black
Product type	Switched socket with type C USB fast charger	
Outlet standard	AS/NZS 3112	

Complementary

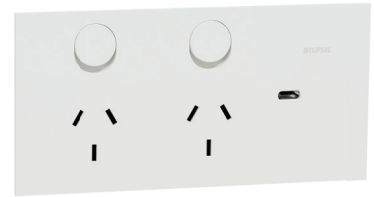
Rated voltage	230/240 V AC 50 Hz
Rated current	10 A
Number of outlets	2
Number of switches	2
Facia material	Plastic
Surface finish	Matt
Surface treatment	Painted
Installation orientation	Horizontal only
Control type	Flush rocker
Protection	With shutter
Additional function	Type C USB fast charger
Mounting	Flush mounted
Mounting type	Screws
Mounting centers	120 mm
Screwdriver	Philips No 2 (PH2), square drive No 1 (SQ1)
Terminals type	Screw terminals
Terminals capacity	4 × 2.5 mm ² , 3 × 4.0 mm ²
Dimension (H × W × D)	74 × 148 × 63 mm
Stripping length	16 mm
Embedded depth	60 mm
Cover thickness	4.5 mm
Cut out (L × H)	131 × 54 mm

Environment

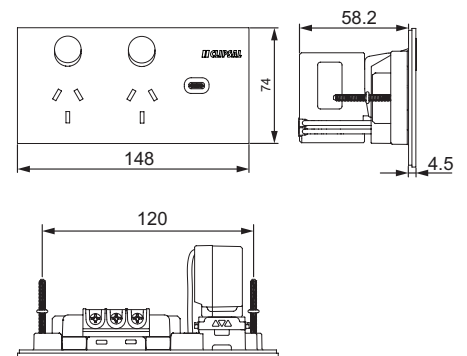
Product certifications	RCM
------------------------	-----

Packing Units

Unit type of package	PCE
Number of units in package	1



Dimensions (mm)



Switches

1041PA

Switch Horizontal 1 Gang 10 AX

Main

Range	Clipsal Solis	
Commercial reference	1041PA-ZW	1041PA-ZB
Product color	<input type="checkbox"/> White	<input checked="" type="checkbox"/> Black
Product type	Switch	
Switch standard	AS/NZS 60669	

Complementary

Rated voltage	230/240 V AC 50 Hz
Rated current	10 AX iLED lamp 100 W
M-rating	M80
Number of switches	1
Facia material	Plastic
Surface finish	Matt
Surface treatment	Painted
Installation orientation	Horizontal only
Control type	Push button
Mounting	Flush mounted
Mounting type	Screws
Mounting centers	84 mm
Screwdriver	Philips No 2 (PH2), square drive No 1 (SQ1)
Terminals type	Screw terminals
Terminals capacity	4 × 1.5...3 × 2.5 mm ²
Dimension (H × W × D)	74 × 148 × 45.5 mm
Stripping length	10 mm
Embedded depth	41 mm
Cover thickness	4.5 mm
Cut out (L × H)	95 × 54 mm

Environment

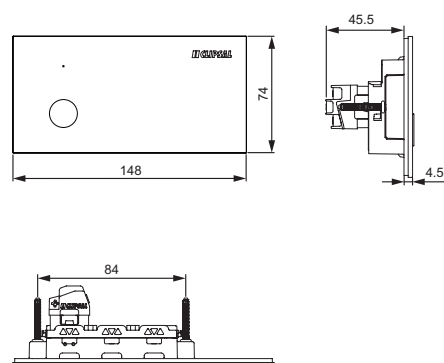
Product certifications	RCM
------------------------	-----

Packing Units

Unit type of package	PCE
Number of units in package	1



Dimensions (mm)



Switches

1042PA

Switch Horizontal 2 Gang 10 AX

Main

Range	Clipsal Solis	
Commercial reference	1042PA-ZW	1042PA-ZB
Product color	<input type="checkbox"/> White	<input checked="" type="checkbox"/> Black
Product type	Switch	
Switch standard	AS/NZS 60669	

Complementary

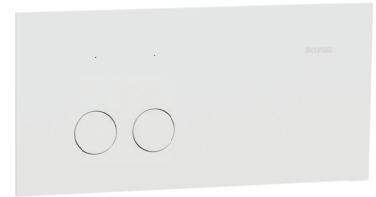
Rated voltage	230/240 V AC 50 Hz
Rated current	10 AX iLED lamp 100 W
M-rating	M80
Number of switches	2
Facia material	Plastic
Surface finish	Matt
Surface treatment	Painted
Installation orientation	Horizontal only
Control type	Push button
Mounting	Flush mounted
Mounting type	Screws
Mounting centers	84 mm
Screwdriver	Philips No 2 (PH2), square drive No 1 (SQ1)
Terminals type	Screw terminals
Terminals capacity	4 × 1.5...3 × 2.5 mm ²
Dimension (H × W × D)	74 × 148 × 45.5 mm
Stripping length	10 mm
Embedded depth	41 mm
Cover thickness	4.5 mm
Cut out (L × H)	95 × 54 mm

Environment

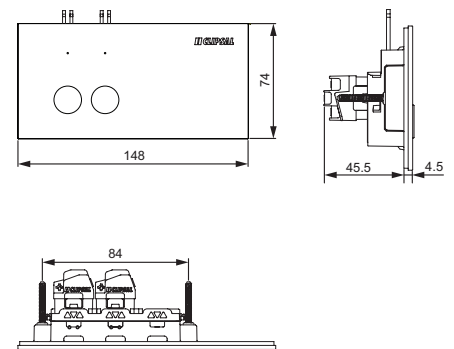
Product certifications	RCM
------------------------	-----

Packing Units

Unit type of package	PCE
Number of units in package	1



Dimensions (mm)



Switches

1043PA

Switch Horizontal 3 Gang 10 AX

Main

Range	Clipsal Solis	
Commercial reference	1043PA-ZW	1043PA-ZB
Product color	<input type="checkbox"/> White	<input checked="" type="checkbox"/> Black
Product type	Switch	
Switch standard	AS/NZS 60669	

Complementary

Rated voltage	230/240 V AC 50 Hz
Rated current	10 AX iLED lamp 100 W
M-rating	M80
Number of switches	3
Facia material	Plastic
Surface finish	Matt
Surface treatment	Painted
Installation orientation	Horizontal only
Control type	Push button
Mounting	Flush mounted
Mounting type	Screws
Mounting centers	84 mm
Screwdriver	Philips No 2 (PH2), square drive No 1 (SQ1)
Terminals type	Screw terminals
Terminals capacity	4 × 1.5...3 × 2.5 mm ²
Dimension (H × W × D)	74 × 148 × 45.5 mm
Stripping length	10 mm
Embedded depth	41 mm
Cover thickness	4.5 mm
Cut out (L × H)	95 × 54 mm

Environment

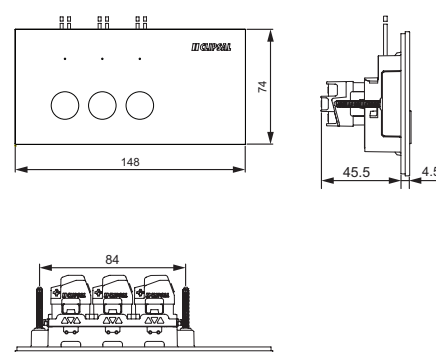
Product certifications	RCM
------------------------	-----

Packing Units

Unit type of package	PCE
Number of units in package	1



Dimensions (mm)



Switches

1044PA

Switch Horizontal 4 Gang 10 AX

Main

Range	Clipsal Solis	
Commercial reference	1044PA-ZW	1044PA-ZB
Product color	□ White	■ Black
Product type	Switch	
Switch standard	AS/NZS 60669	

Complementary

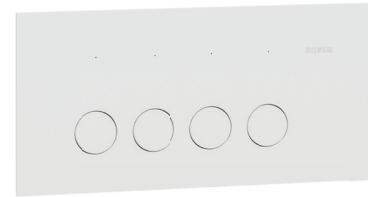
Rated voltage	230/240 V AC 50 Hz
Rated current	10 AX iLED lamp 100 W
M-rating	M80
Number of switches	4
Facia material	Plastic
Surface finish	Matt
Surface treatment	Painted
Installation orientation	Horizontal only
Control type	Push button
Mounting	Flush mounted
Mounting type	Screws
Mounting centers	120 mm
Screwdriver	Philips No 2 (PH2), square drive No 1 (SQ1)
Terminals type	Screw terminals
Terminals capacity	4 × 1.5...3 × 2.5 mm ²
Dimension (H × W × D)	74 × 148 × 45.5 mm
Stripping length	10 mm
Embedded depth	41 mm
Cover thickness	4.5 mm
Cut out (L × H)	131 × 54 mm

Environment

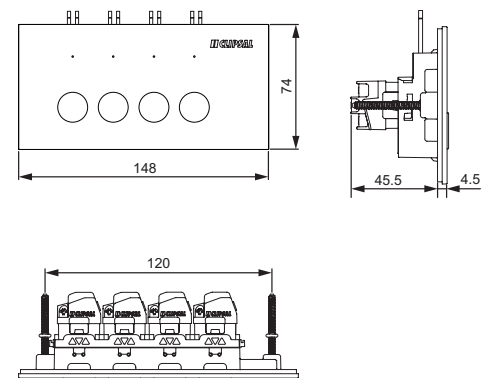
Product certifications	RCM
------------------------	-----

Packing Units

Unit type of package	PCE
Number of units in package	1



Dimensions (mm)



Switches

1041PUA

Switch Grid and Cover Horizontal 1 Gang

Main

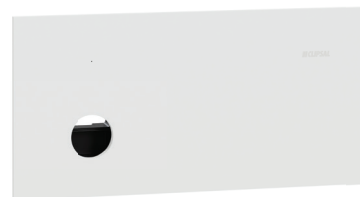
Range	Clipsal Solis	
Commercial reference	1041PUA-ZW	1041PUA-ZB
Product color	<input type="checkbox"/> White	<input checked="" type="checkbox"/> Black
Product type	Grid and cover	

Complementary

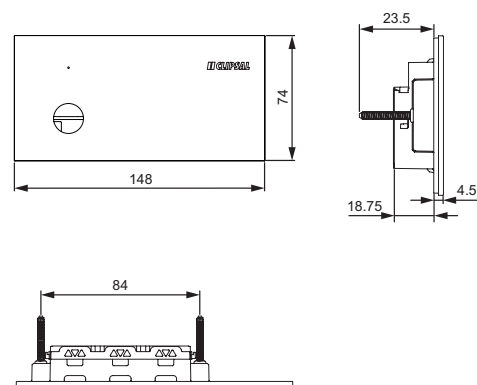
Number of switches	1
Facia material	Plastic
Surface finish	Matt
Surface treatment	Painted
Installation orientation	Horizontal only
Mounting	Flush mounted
Mounting type	Screws
Mounting centers	84 mm
Screwdriver	Philips No 2 (PH2), square drive No 1 (SQ1)
Dimension (H × W × D)	74 × 148 × 23.5 mm
Cover thickness	4.5 mm
Cut out (L × H)	95 × 54 mm

Packing Units

Unit type of package	PCE
Number of units in package	1



Dimensions (mm)



Switches

1042PUA

Switch Grid and Cover Horizontal 2 Gang

Main

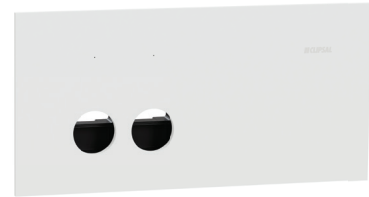
Range	Clipsal Solis	
Commercial reference	1042PUA-ZW	1042PUA-ZB
Product color	<input type="checkbox"/> White	<input checked="" type="checkbox"/> Black
Product type	Grid and cover	

Complementary

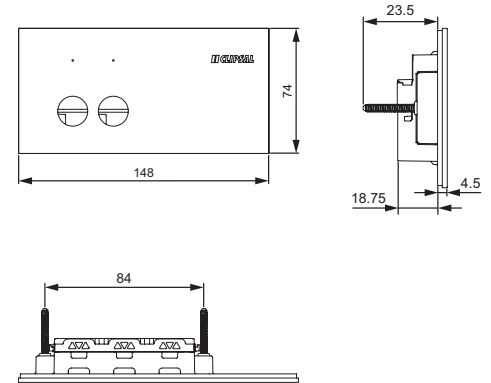
Number of switches	2
Facia material	Plastic
Surface finish	Matt
Surface treatment	Painted
Installation orientation	Horizontal only
Mounting	Flush mounted
Mounting type	Screws
Mounting centers	84 mm
Screwdriver	Philips No 2 (PH2), square drive No 1 (SQ1)
Dimension (H × W × D)	74 × 148 × 23.5 mm
Cover thickness	4.5 mm
Cut out (L × H)	95 × 54 mm

Packing Units

Unit type of package	PCE
Number of units in package	1



Dimensions (mm)



Switches

1043PUA

Switch Grid and Cover Horizontal 3 Gang

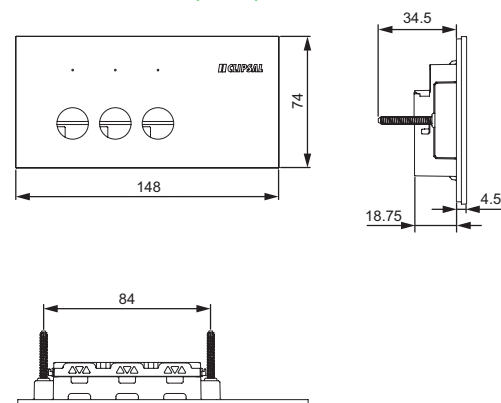
Main		
Range	Clipsal Solis	
Commercial reference	1043PUA-ZW	1043PUA-ZB
Product color	<input type="checkbox"/> White	<input checked="" type="checkbox"/> Black
Product type	Grid and cover	

Complementary	
Number of switches	3
Facia material	Plastic
Surface finish	Matt
Surface treatment	Painted
Installation orientation	Horizontal only
Mounting	Flush mounted
Mounting type	Screws
Mounting centers	84 mm
Screwdriver	Phillips No 2 (PH2), square drive No 1 (SQ1)
Dimension (H × W × D)	74 × 148 × 23.5 mm
Cover thickness	4.5 mm
Cut out (L × H)	95 × 54 mm

Packing Units	
Unit type of package	PCE
Number of units in package	1



Dimensions (mm)



Switches

1044PUA

Switch Grid and Cover Horizontal 4 Gang

Main

Range	Clipsal Solis	
Commercial reference	1044PUA-ZW	1044PUA-ZB
Product color	<input type="checkbox"/> White	<input checked="" type="checkbox"/> Black
Product type	Grid and cover	

Complementary

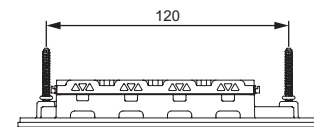
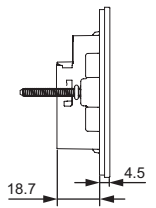
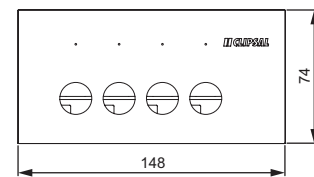
Number of switches	4
Facia material	Plastic
Surface finish	Matt
Surface treatment	Painted
Installation orientation	Horizontal only
Mounting	Flush mounted
Mounting type	Screws
Mounting centers	120 mm
Screwdriver	Philips No 2 (PH2), square drive No 1 (SQ1)
Dimension (H × W × D)	74 × 148 × 23.5 mm
Cover thickness	4.5 mm
Cut out (L × H)	131 × 54 mm

Packing Units

Unit type of package	PCE
Number of units in package	1



Dimensions (mm)



Switches

1043CP

Grid and Cover Horizontal 3 Gang Communication Plate

Main

Range	Clipsal Solis	
Commercial reference	1043CP-ZW	1043CP-ZB
Product color	□ White	■ Black
Product type	Grid and cover	

Complementary

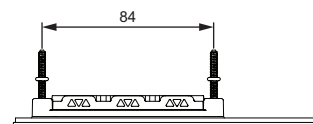
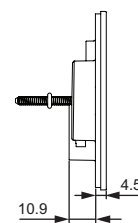
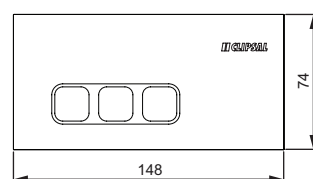
Number of switches	3
Facia material	Plastic
Surface finish	Matt
Surface treatment	Painted
Installation orientation	Horizontal only
Mounting	Flush mounted
Mounting type	Screws
Mounting centers	84 mm
Screwdriver	Philips No 2 (PH2), square drive No 1 (SQ1)
Dimension (H × W × D)	74 × 148 mm
Cover thickness	4.5 mm
Cut out (L × H)	95 × 54 mm

Packing Units

Unit type of package	PCE
Number of units in package	1



Dimensions (mm)



Adaptors

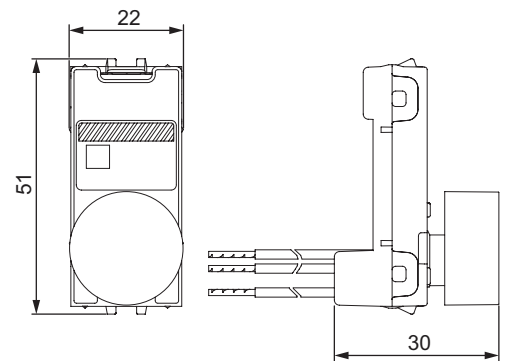
40RWDA

Rotary Adaptor for Wiser Dimmer + LED

Main		
Range	Clipsal Solis	
Commercial reference	40RWDA-ZW	40RWDA-ZB
Product color	<input type="checkbox"/> White	<input checked="" type="checkbox"/> Black
Product type	Adaptor	
Complementary		
Number of switches	1	
Surface finish	Matt	
Surface treatment	Painted	
Control type	Rotary knob - Push ON, Push OFF	
Mounting type	Clips	
Dimension (H × W × D)	51 × 22 × 30 mm	
Packing Units		
Unit type of package	PCE	
Number of units in package	1	



Dimensions (mm)



Adaptors

40PWSA

Push Button Adaptor for Wiser Module + LED

Main

Range	Clipsal Solis	
Commercial reference	40PWSA-ZW	40PWSA-ZB
Product color	<input type="checkbox"/> White	<input checked="" type="checkbox"/> Black
Product type	Adaptor	

Complementary

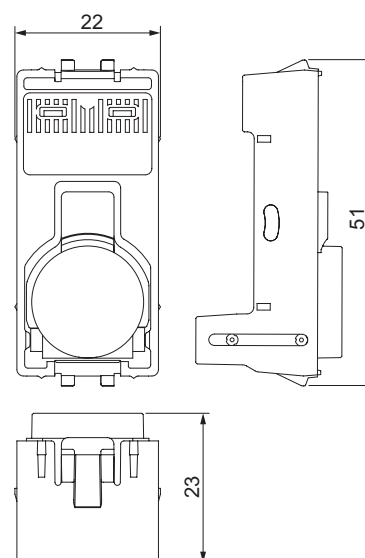
Number of switches	1
Surface finish	Matt
Surface treatment	Painted
Control type	Push button
Mounting type	Clips
Dimension (H x W x D)	51 x 22 x 23 mm

Packing Units

Unit type of package	PCE
Number of units in package	1



Dimensions (mm)



Adaptors

40PA

Push Button Adaptor for SW Mech + LED

Main

Range	Clipsal Solis	
Commercial reference	40PA-ZW	40PA-ZB
Product color	<input type="checkbox"/> White	<input checked="" type="checkbox"/> Black
Product type	Adaptor	

Complementary

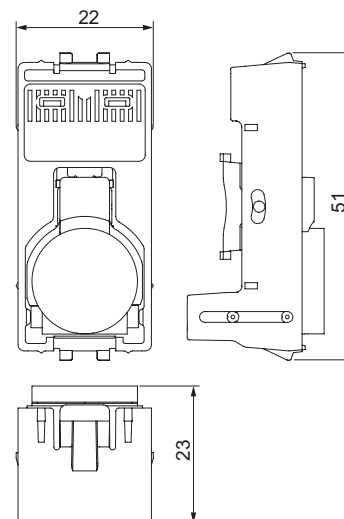
Number of switches	1
Surface finish	Matt
Surface treatment	Painted
Control type	Push button
Mounting type	Clips
Dimension (H × W × D)	51 × 22 × 23 mm

Packing Units

Unit type of package	PCE
Number of units in package	1



Dimensions (mm)



Adaptors

40PA32COOK

Push Button Adaptor Marked Cooker + LED

Main

Range	Clipsal Solis	
Commercial reference	40PA32COOK-ZW	40PA32COOK-ZB
Product color	<input type="checkbox"/> White	<input checked="" type="checkbox"/> Black
Product type	Adaptor	

Complementary

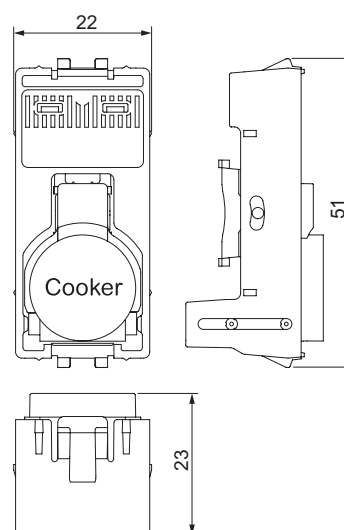
Number of switches	1
Surface finish	Matt
Surface treatment	Painted
Control type	Push button
Mounting type	Clips
Dimension (H x W x D)	51 x 22 x 23 mm

Packing Units

Unit type of package	PCE
Number of units in package	1



Dimensions (mm)



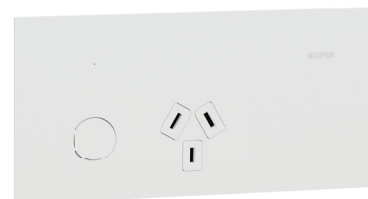
Clipsal Solis™ T Series



Sockets

1010CSZ

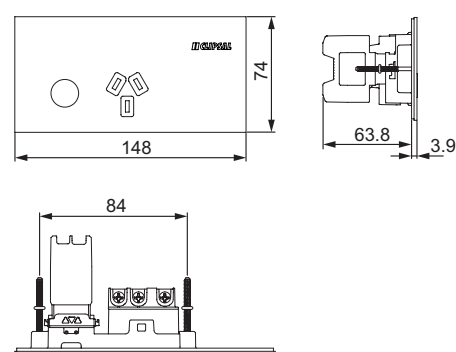
Single Connected Switched Socket (Zigbee)



Main				
Range	Clipsal Solis T Series			
Commercial reference	1010CSZ-WC	1010CSZ-EA	1010CSZ-LB	1010CSZ-PT
Product color	<input type="checkbox"/> White	<input checked="" type="checkbox"/> Ebony	<input type="checkbox"/> Living brass	<input type="checkbox"/> Platinum
Product type	Switched socket			
Mobile app	Wiser Home			
Outlet standard	AS/NZS 3112			

Complementary				
Rated voltage	230/240 V AC 50 Hz			
Rated current	10 A			
Number of outlets	1			
Number of switches	1			
Facia material	Ceramic	Aluminium	Brass	Aluminium
Surface finish	Matt	Sandblasted	Brushed	Sandblasted
Surface treatment	PVD*	Anodized	PVD*	Anodized
Installation orientation	Horizontal only			
Control type	Push button			
Protection	With shutter			
Communication network type	Wireless Zigbee (2405...2480 MHz), 10 mW at < 50 m			
Memory description	Backup memory - date and time for 6 h			
Mounting	Flush mounted			
Mounting type	Screws			
Mounting centers	84 mm			
Screwdriver	Philips No 2 (PH2), square drive No 1 (SQ1)			
Terminals type	Screw terminals			
Terminals capacity	4 × 2.5 mm ² , 3 × 4.0 mm ²			
Dimension (H × W × D)	74 × 148 × 66.9 mm			
Stripping length	16 mm			
Embedded depth	64 mm			
Cover thickness	3.9 mm			
Cut out (L × H)	95 × 54 mm			

Dimensions (mm)



Environment	
Product certifications	RCM

Packing Units	
Unit type of package	PCE
Number of units in package	1

*Physical Vapor Deposition



For more detailed information, refer to the Wiser Guides online. Scan the QR code or follow the link:
https://www.productinfo.schneider-electric.com/wiser_home

Sockets

1025

Switched Socket Horizontal Twin 10 A

Main				
Range	Clipsal Solis T Series			
Commercial reference	1025-WC	1025-EA	1025-LB	1025-PT
Product color	□ White	■ Ebony	■ Living brass	■ Platinum
Product type	Switched socket			
Outlet standard	AS/NZS 3112			

Complementary				
Rated voltage	230/240 V AC 50 Hz			
Rated current	10 A			
Number of outlets	2			
Number of switches	2			
Facia material	Ceramic	Aluminium	Brass	Aluminium
Surface finish	Matt	Sandblasted	Brushed	Sandblasted
Surface treatment	PVD*	Anodized	PVD*	Anodized
Installation orientation	Horizontal only			
Control type	Flush rocker			
Protection	With shutter			
Mounting	Flush mounted			
Mounting type	Screws			
Mounting centers	84 mm			
Screwdriver	Philips No 2 (PH2), square drive No 1 (SQ1)			
Terminals type	Screw terminals			
Terminals capacity	4 × 2.5 mm ² , 3 × 4.0 mm ²			
Dimension (H × W × D)	74 × 148 × 27.4 mm			
Stripping length	16 mm			
Embedded depth	23.5 mm			
Cover thickness	3.9 mm			
Cut out (L × H)	95 × 54 mm			

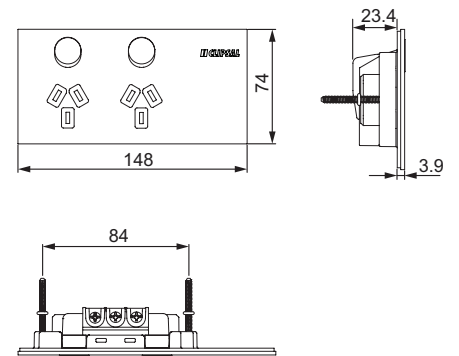
Environment	
Product certifications	RCM

Packing Units	
Unit type of package	PCE
Number of units in package	1

*Physical Vapor Deposition



Dimensions (mm)



Sockets

1025XUA

Switched Socket Horizontal Twin 1 ExBLANK 10 A

Main

Range	Clipsal Solis T Series			
Commercial reference	1025XUA-WC	1025XUA-EA	1025XUA-LB	1025XUA-PT
Product color	□ White	■ Ebony	■ Living brass	■ Platinum
Product type	Switched socket with extra aperture			
Outlet standard	AS/NZS 3112			

Complementary

Rated voltage	230/240 V AC 50 Hz			
Rated current	10 A			
Number of outlets	2			
Number of switches	2			
Facia material	Ceramic	Aluminium	Brass	Aluminium
Surface finish	Matt	Sandblasted	Brushed	Sandblasted
Surface treatment	PVD*	Anodized	PVD*	Anodized
Installation orientation	Horizontal only			
Control type	Flush rocker			
Protection	With shutter			
Additional function	Extra aperture			
Mounting	Flush mounted			
Mounting type	Screws			
Mounting centers	120 mm			
Screwdriver	Philips No 2 (PH2), square drive No 1 (SQ1)			
Terminals type	Screw terminals			
Terminals capacity	4 × 2.5 mm ² , 3 × 4.0 mm ²			
Dimension (H × W × D)	74 × 148 × 27.4 mm			
Stripping length	16 mm			
Embedded depth	23.5 mm			
Cover thickness	3.9 mm			
Cut out (L × H)	131 × 54 mm			

Environment

Product certifications	RCM
------------------------	-----

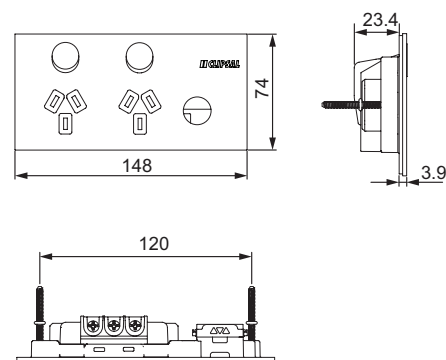
Packing Units

Unit type of package	PCE
Number of units in package	1

*Physical Vapor Deposition



Dimensions (mm)



Sockets

1025USBC

Switched Socket Horizontal Twin Type C USB Fast Charger 10 A

Main				
Range	Clipsal Solis T Series			
Commercial reference	1025USBC-WC	1025USBC-EA	1025USBC-LB	1025USBC-PT
Product color	□ White	■ Ebony	■ Living brass	■ Platinum
Product type	Switched socket with USB			
Outlet standard	AS/NZS 3112			

Complementary				
Rated voltage	230/240 V AC 50 Hz			
Rated current	10 A			
Number of outlets	2			
Number of switches	2			
Facia material	Ceramic	Aluminium	Brass	Aluminium
Surface finish	Matt	Sandblasted	Brushed	Sandblasted
Surface treatment	PVD*	Anodized	PVD*	Anodized
Installation orientation	Horizontal only			
Control type	Flush rocker			
Protection	With shutter			
Additional function	Type C USB			
Mounting	Flush mounted			
Mounting type	Screws			
Mounting centers	120 mm			
Screwdriver	Philips No 2 (PH2), square drive No 1 (SQ1)			
Terminals type	Screw terminals			
Terminals capacity	4 × 2.5 mm ² , 3 × 4.0 mm ²			
Dimension (H × W × D)	74 × 148 × 68.9 mm			
Stripping length	16 mm			
Embedded depth	60 mm			
Cover thickness	3.9 mm			
Cut out (L × H)	131 × 54 mm			

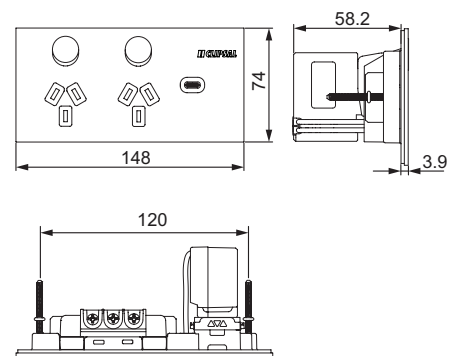
Environment	
Product certifications	RCM

Packing Units	
Unit type of package	PCE
Number of units in package	1

*Physical Vapor Deposition



Dimensions (mm)



Switches

1041TA

Switch Horizontal 1 Gang 10 AX

Main

Range	Clipsal Solis T Series			
Commercial reference	1041TA-WC	1041TA-EA	1041TA-LB	1041TA-PT
Product color	<input type="checkbox"/> White	<input checked="" type="checkbox"/> Ebony	<input checked="" type="checkbox"/> Living brass	<input type="checkbox"/> Platinum
Product type	Switch			
Switch standard	AS/NZS 60669			

Complementary

Rated voltage	230/240 V AC 50 Hz			
Rated current	10 AX iLED lamp 100 W			
M-rating	M80			
Number of switches	1			
Facia material	Ceramic	Aluminium	Brass	Aluminium
Surface finish	Matt	Sandblasted	Brushed	Sandblasted
Surface treatment	PVD*	Anodized	PVD*	Anodized
Installation orientation	Horizontal only			
Control type	Toggle			
Mounting	Flush mounted			
Mounting type	Screws			
Mounting centers	84 mm			
Screwdriver	Philips No 2 (PH2), square drive No 1 (SQ1)			
Terminals type	Screw terminals			
Terminals capacity	4 × 1.5...3 × 2.5 mm ²			
Dimension (H × W × D)	74 × 148 × 56 mm			
Stripping length	10 mm			
Embedded depth	41 mm			
Cover thickness	3.6 mm			
Cut out (L × H)	95 × 54 mm			

Environment

Product certifications	RCM
------------------------	-----

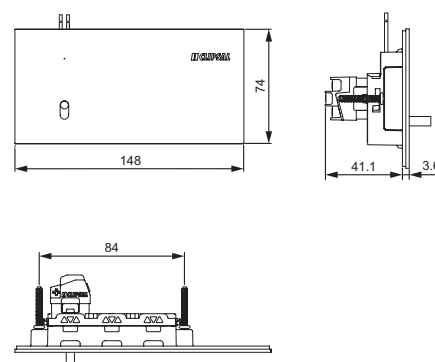
Packing Units

Unit type of package	PCE
Number of units in package	1

*Physical Vapor Deposition



Dimensions (mm)



Switches

1042TA

Switch Horizontal 2 Gang 10 AX

Main				
Range	Clipsal Solis T Series			
Commercial reference	1042TA-WC	1042TA-EA	1042TA-LB	1042TA-PT
Product color	□ White	■ Ebony	■ Living brass	■ Platinum
Product type	Switch			
Switch standard	AS/NZS 60669			

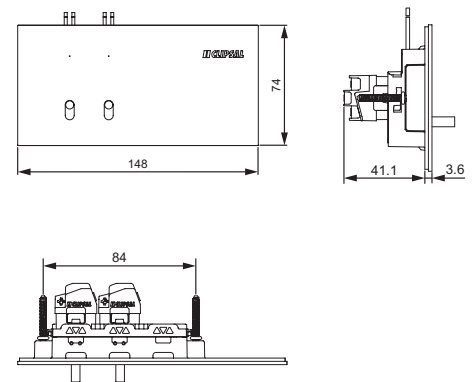
Complementary				
Rated voltage	230/240 V AC 50 Hz			
Rated current	10 AX iLED lamp 100 W			
M-rating	M80			
Number of switches	2			
Facia material	Ceramic	Aluminium	Brass	Aluminium
Surface finish	Matt	Sandblasted	Brushed	Sandblasted
Surface treatment	PVD*	Anodized	PVD*	Anodized
Installation orientation	Horizontal only			
Control type	Toggle			
Mounting	Flush mounted			
Mounting type	Screws			
Mounting centers	84 mm			
Screwdriver	Philips No 2 (PH2), square drive No 1 (SQ1)			
Terminals type	Screw terminals			
Terminals capacity	4 × 1.5...3 × 2.5 mm ²			
Dimension (H × W × D)	74 × 148 × 56 mm			
Stripping length	10 mm			
Embedded depth	41 mm			
Cover thickness	3.6 mm			
Cut out (L × H)	95 × 54 mm			
Standards	AS/NZS 60669			

Environment	
Product certifications	RCM

Packing Units	
Unit type of package	PCE
Number of units in package	1



Dimensions (mm)



Switches

1043TA

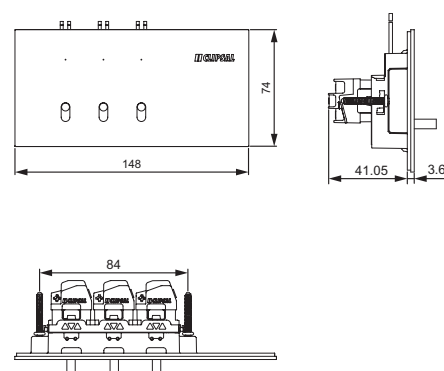
Switch Horizontal 3 Gang 10 AX

Main				
Range	Clipsal Solis T Series			
Commercial reference	1043TA-WC	1043TA-EA	1043TA-LB	1043TA-PT
Product color	<input type="checkbox"/> White	<input checked="" type="checkbox"/> Ebony	<input checked="" type="checkbox"/> Living brass	<input type="checkbox"/> Platinum
Product type	Switch			
Assembly type	Complete product			
Switch standard	AS/NZS 60669			
Complementary				
Rated voltage	230/240 V AC 50 Hz			
Rated current	10 AX iLED lamp 100 W			
M-rating	M80			
Number of switches	3			
Facia material	Ceramic	Aluminium	Brass	Aluminium
Surface finish	Matt	Sandblasted	Brushed	Sandblasted
Surface treatment	PVD*	Anodized	PVD*	Anodized
Installation orientation	Horizontal only			
Control type	Toggle			
Mounting	Flush mounted			
Mounting type	Screws			
Mounting centers	84 mm			
Screwdriver	Philips No 2 (PH2), square drive No 1 (SQ1)			
Terminals type	Screw terminals			
Terminals capacity	4 × 1.5...3 × 2.5 mm ²			
Dimension (H × W × D)	74 × 148 × 56 mm			
Stripping length	10 mm			
Embedded depth	41 mm			
Cover thickness	3.6 mm			
Cut out (L × H)	95 × 54 mm			
Environment				
Product certifications	RCM			
Packing Units				
Unit type of package	PCE			
Number of units in package	1			

*Physical Vapor Deposition



Dimensions (mm)



Switches

1044TA

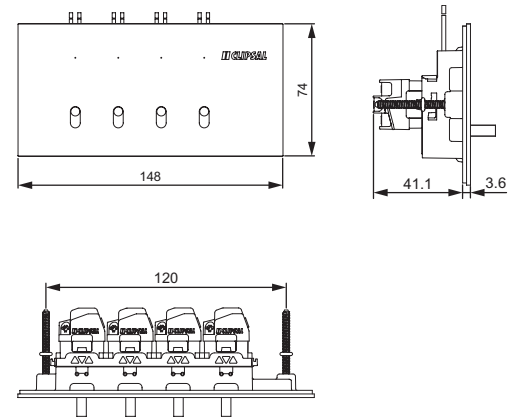
Switch Horizontal 4 Gang 10 AX

Main				
Range	Clipsal Solis T Series			
Commercial reference	1044TA-WC	1044TA-EA	1044TA-LB	1044TA-PT
Product color	□ White	■ Ebony	■ Living brass	■ Platinum
Product type	Switch			
Switch standard	AS/NZS 60669			

Complementary				
Rated voltage	230/240 V AC 50 Hz			
Rated current	10 AX iLED lamp 100 W			
M-rating	M80			
Number of switches	4			
Facia material	Ceramic	Aluminium	Brass	Aluminium
Surface finish	Matt	Sandblasted	Brushed	Sandblasted
Surface treatment	PVD*	Anodized	PVD*	Anodized
Installation orientation	Horizontal only			
Control type	Toggle			
Mounting	Flush mounted			
Mounting type	Screws			
Mounting centers	120 mm			
Screwdriver	Philips No 2 (PH2), square drive No 1 (SQ1)			
Terminals type	Screw terminals			
Terminals capacity	4 × 1.5...3 × 2.5 mm ²			
Dimension (H × W × D)	74 × 148 × 56 mm			
Stripping length	10 mm			
Embedded depth	41 mm			
Cover thickness	3.6 mm			
Cut out (L × H)	131 × 54 mm			
Environment				
Product certifications	RCM			
Packing Units				
Unit type of package	PCE			
Number of units in package	1			



Dimensions (mm)



*Physical Vapor Deposition

Switches

1041TUA

Switch Grid and Cover Horizontal 1 Gang

Main

Range	Clipsal Solis T Series			
Commercial reference	1041TUA-WC	1041TUA-EA	1041TUA-LB	1041TUA-PT
Product color	□ White	■ Ebony	■ Living brass	■ Platinum
Product type	Grid and cover			

Complementary

Number of switches	1			
Facia material	Ceramic	Aluminium	Brass	Aluminium
Surface finish	Matt	Sandblasted	Brushed	Sandblasted
Surface treatment	PVD*	Anodized	PVD*	Anodized
Installation orientation	Horizontal only			
Mounting	Flush mounted			
Mounting type	Screws			
Mounting centers	84 mm			
Screwdriver	Philips No 2 (PH2), square drive No 1 (SQ1)			
Dimension (H × W × D)	74 × 148 × 22.6 mm			
Cover thickness	3.6 mm			
Cut out (L × H)	95 × 54 mm			

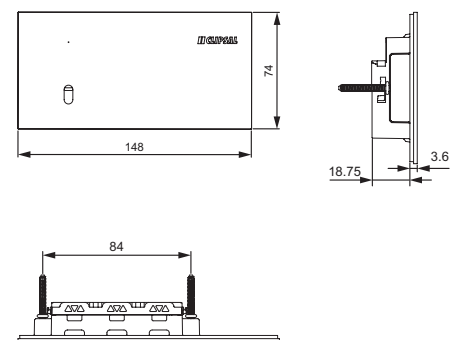
Packing Units

Unit type of package	PCE
Number of units in package	1

*Physical Vapor Deposition



Dimensions (mm)



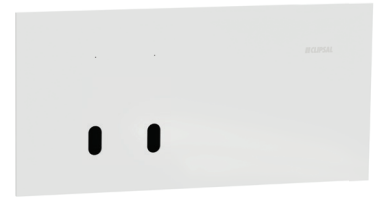
Switches

1042TUA

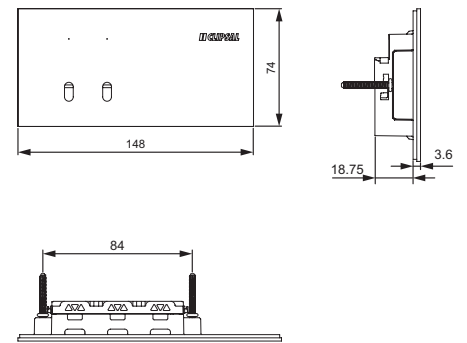
Switch Grid and Cover Horizontal 2 Gang

Main				
Range	Clipsal Solis T Series			
Commercial reference	1042TUA-WC	1042TUA-EA	1042TUA-LB	1042TUA-PT
Product color	□ White	■ Ebony	■ Living brass	■ Platinum
Product type	Grid and cover			
Complementary				
Number of switches	2			
Facia material	Ceramic	Aluminium	Brass	Aluminium
Surface finish	Matt	Sandblasted	Brushed	Sandblasted
Surface treatment	PVD*	Anodized	PVD*	Anodized
Installation orientation	Horizontal only			
Mounting	Flush mounted			
Mounting type	Screws			
Mounting centers	84 mm			
Screwdriver	Philips No 2 (PH2), square drive No 1 (SQ1)			
Dimension (H × W × D)	74 × 148 × 22.6 mm			
Cover thickness	3.6 mm			
Cut out (L × H)	95 × 54 mm			
Packing Units				
Unit type of package	PCE			
Number of units in package	1			

*Physical Vapor Deposition



Dimensions (mm)



Switches

1043TUA

Switch Grid and Cover Horizontal 3 Gang

Main

Range	Clipsal Solis T Series			
Commercial reference	1043TUA-WC	1043TUA-EA	1043TUA-LB	1043TUA-PT
Product color	□ White	■ Ebony	■ Living brass	■ Platinum
Product type	Grid and cover			

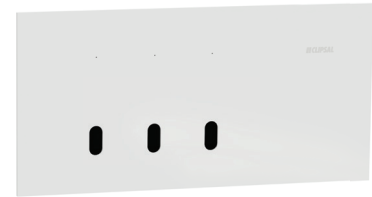
Complementary

Number of switches	3			
Facia material	Ceramic	Aluminium	Brass	Aluminium
Surface finish	Matt	Sandblasted	Brushed	Sandblasted
Surface treatment	PVD*	Anodized	PVD*	Anodized
Installation orientation	Horizontal only			
Mounting	Flush mounted			
Mounting type	Screws			
Mounting centers	84 mm			
Screwdriver	Philips No 2 (PH2), square drive No 1 (SQ1)			
Dimension (H × W × D)	74 × 148 × 22.6 mm			
Cover thickness	3.6 mm			
Cut out (L × H)	95 × 54 mm			

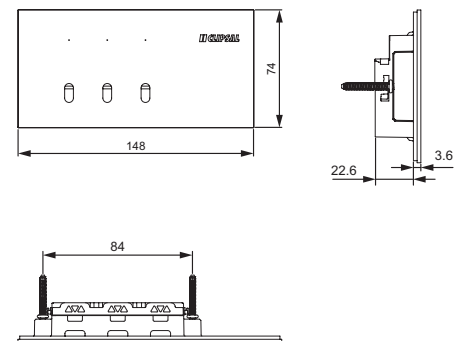
Packing Units

Unit type of package	PCE
Number of units in package	1

*Physical Vapor Deposition



Dimensions (mm)



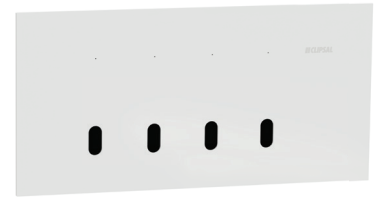
Switches

1044TUA

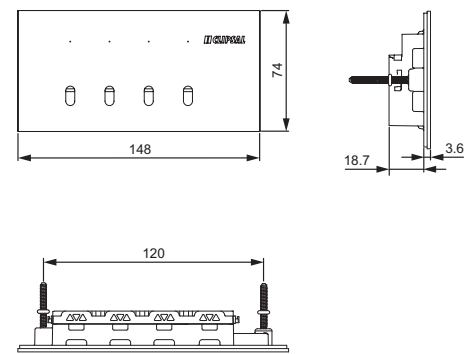
Switch Grid and Cover Horizontal 4 Gang

Main				
Range	Clipsal Solis T Series			
Commercial reference	1044TUA-WC	1044TUA-EA	1044TUA-LB	1044TUA-PT
Product color	□ White	■ Ebony	■ Living brass	■ Platinum
Product type	Grid and cover			
Complementary				
Number of switches	4			
Facia material	Ceramic	Aluminium	Brass	Aluminium
Surface finish	Matt	Sandblasted	Brushed	Sandblasted
Surface treatment	PVD*	Anodized	PVD*	Anodized
Installation orientation	Horizontal only			
Mounting	Flush mounted			
Mounting type	Screws			
Mounting centers	120 mm			
Screwdriver	Philips No 2 (PH2), square drive No 1 (SQ1)			
Dimension (H × W × D)	74 × 148 × 22.6 mm			
Cover thickness	3.6 mm			
Cut out (L × H)	131 × 54 mm			
Packing Units				
Unit type of package	PCE			
Number of units in package	1			

*Physical Vapor Deposition



Dimensions (mm)

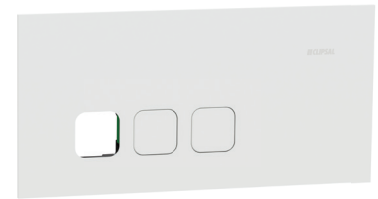


Switches

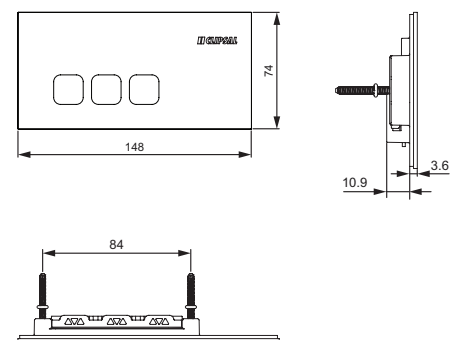
1043CP

Grid and Cover Horizontal 3 Gang Communication Plate

Main				
Range	Clipsal Solis T Series			
Commercial reference	1043CP-WC	1043CP-EA	1043CP-LB	1043CP-PT
Product color	□ White	■ Ebony	■ Living brass	■ Platinum
Product type	Grid and cover			
Complementary				
Number of switches	3			
Facia material	Ceramic	Aluminium	Brass	Aluminium
Surface finish	Matt	Sandblasted	Brushed	Sandblasted
Surface treatment	PVD*	Anodized	PVD*	Anodized
Installation orientation	Horizontal only			
Mounting	Flush mounted			
Mounting type	Screws			
Mounting centers	84 mm			
Screwdriver	Philips No 2 (PH2), square drive No 1 (SQ1)			
Dimension (H × W × D)	74 × 148 × 22.6 mm			
Cover thickness	3.6 mm			
Cut out (L × H)	95 × 54 mm			
Packing Units				
Unit type of package	PCE			
Number of units in package	1			



Dimensions (mm)



*Physical Vapor Deposition

Adaptors

40TWSA

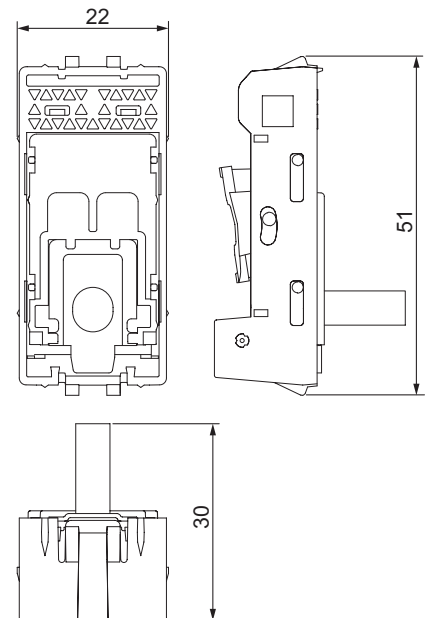
Toggle Adaptor for Wiser Module + LED

Main				
Range	Clipsal Solis T Series			
Commercial reference	40TWSA-WC	40TWSA-EA	40TWSA-LB	40TWSA-PT
Product color	□ White	■ Ebony	■ Living brass	■ Platinum
Product type	Adaptor			
Complementary				
Number of switches	1			
Facia material	Ceramic	Aluminium	Brass	Aluminium
Surface finish	Matt	Sandblasted	Brushed	Sandblasted
Surface treatment	PVD*	Anodized	PVD*	Anodized
Control type	Toggle			
Mounting type	Clips			
Dimension (H × W × D)	51 × 22 × 30 mm			
Packing Units				
Unit type of package	PCE			
Number of units in package	1			

*Physical Vapor Deposition



Dimensions (mm)



Adaptors

40TA

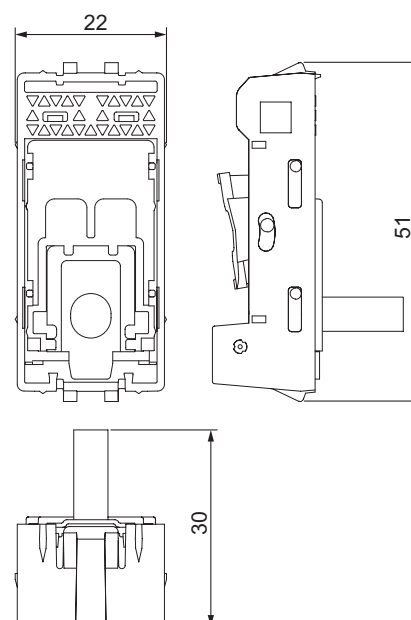
Toggle Adaptor for SW Mech + LED

Main				
Range	Clipsal Solis T Series			
Commercial reference	40TA-WC	40TA-EA	40TA-LB	40TA-PT
Product color	□ White	■ Ebony	■ Living brass	■ Platinum
Product type	Adaptor			
Complementary				
Number of switches	1			
Facia material	Ceramic	Aluminium	Brass	Aluminium
Surface finish	Matt	Sandblasted	Brushed	Sandblasted
Surface treatment	PVD*	Anodized	PVD*	Anodized
Control type	Toggle			
Mounting type	Clips			
Dimension (H × W × D)	51 × 22 × 30 mm			
Packing Units				
Unit type of package	PCE			
Number of units in package	1			

*Physical Vapor Deposition



Dimensions (mm)



Adaptors

40RWDA

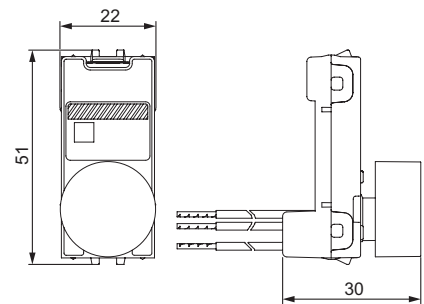
Rotary Adaptor for Wiser Dimmer + LED

Main				
Range	Clipsal Solis T Series			
Commercial reference	40RWDA-WC	40RWDA-EA	40RWDA-LB	40RWDA-PT
Product color	<input type="checkbox"/> White	<input checked="" type="checkbox"/> Ebony	<input checked="" type="checkbox"/> Living brass	<input type="checkbox"/> Platinum
Product type	Adaptor			
Complementary				
Number of switches	1			
Facia material	Ceramic	Aluminium	Brass	Aluminium
Surface finish	Matt	Sandblasted	Brushed	Sandblasted
Surface treatment	PVD*	Anodized	PVD*	Anodized
Control type	Rotary Knob - Push ON, Push OFF			
Mounting type	Clips			
Dimension (H x W x D)	51 x 22 x 30 mm			
Packing Units				
Unit type of package	PCE			
Number of units in package	1			

*Physical Vapor Deposition



Dimensions (mm)



Adaptors

40PWSA

Push Button Adaptor for Wiser Module + LED

Main

Range	Clipsal Solis T Series			
Commercial reference	40PWSA-WC	40PWSA-EA	40PWSA-LB	40PWSA-PT
Product color	<input type="checkbox"/> White	<input checked="" type="checkbox"/> Ebony	<input type="checkbox"/> Living brass	<input type="checkbox"/> Platinum
Product type	Adaptor			

Complementary

Number of switches	1			
Facia material	Ceramic	Aluminium	Brass	Aluminium
Surface finish	Matt	Sandblasted	Brushed	Sandblasted
Surface treatment	PVD*	Anodized	PVD*	Anodized
Control type	Push button			
Mounting type	Clips			
Dimension (H x W x D)	51 x 22 x 23 mm			

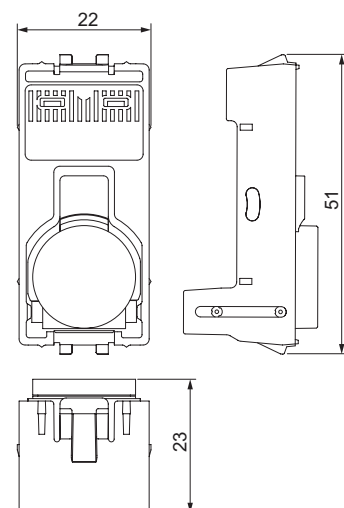
Packing Units

Unit type of package	PCE
Number of units in package	1

*Physical Vapor Deposition



Dimensions (mm)



Adaptors

40PA32COOK

Push Button Adaptor Marked Cooker + LED

Main

Range	Clipsal Solis T Series			
Commercial reference	40PA32COOK-WC	40PA32COOK-EA	40PA32COOK-LB	40PA32COOK-PT
Product color	<input type="checkbox"/> White	<input type="checkbox"/> Ebony	<input type="checkbox"/> Living brass	<input type="checkbox"/> Platinum
Product type	Adaptor			

Complementary

Number of switches	1			
Facia material	Ceramic	Aluminium	Brass	Aluminium
Surface finish	Matt	Sandblasted	Brushed	Sandblasted
Surface treatment	PVD*	Anodized	PVD*	Anodized
Control type	Push button			
Mounting type	Clips			
Dimension (H x W x D)	51 x 22 x 23 mm			

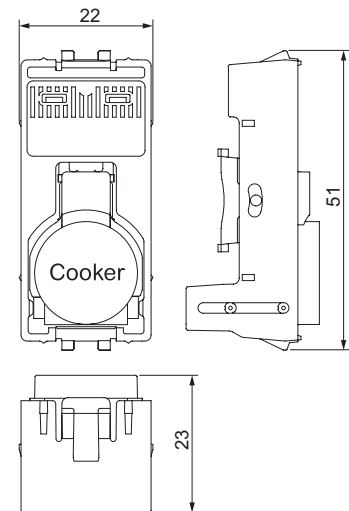
Packing Units

Unit type of package	PCE
Number of units in package	1

*Physical Vapor Deposition



Dimensions (mm)



Mounting Accessories

Mounting Accessories

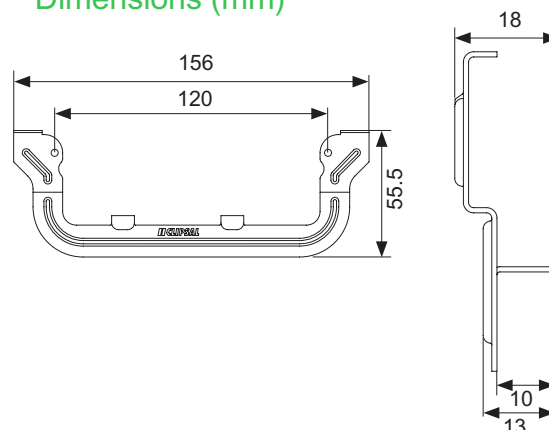
154C4

Clip 120 mm mounting wall board 10 mm

Main	
Range	Clipsal - Mounting Accessories
Commercial reference	154C4
Product type	4 Gang C-clip
Complementary	
Material	Steel
Surface treatment	Galvanized
Installation orientation	Horizontal only
Mounting type	Screws (not supplied)
Mounting centers	120 mm
Net weight	26.5 g
Dimension (H × W × D)	156 × 55.5 × 18 mm
Packaging Units	
Unit type of package	PCE
Number of units in package	1



Dimensions (mm)



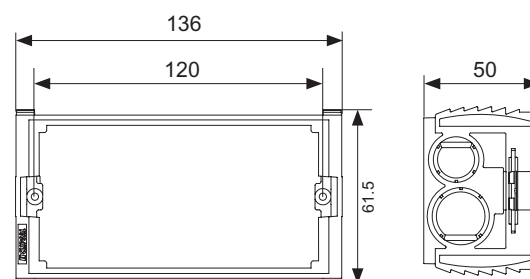
157PRM4

Wall box 120 mm recessed mount

Main	
Range	Clipsal - Mounting Accessories
Commercial reference	157PRM4
Product type	4 Gang wall box
Product color	Black
Complementary	
Material	Plastic
Installation orientation	Horizontal only
Mounting centers	120 mm
Net weight	87 g
Dimension (H × W × D)	136 × 61.5 × 50 mm
Packaging Units	
Unit type of package	PCE
Number of units in package	1



Dimensions (mm)



Mounting Accessories

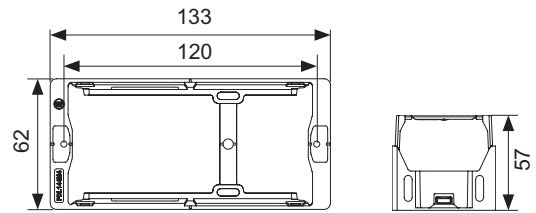
PDL144M4

Flush box 120 mm mounting metal thread

Main	
Range	Clipsal - Mounting Accessories
Commercial reference	PDL144M4
Product color	<input type="checkbox"/> White
Product type	4 Gang flush box
Complementary	
Material	Plastic
Installation orientation	Horizontal only
Mounting type	Screws (not supplied)
Mounting centers	120 mm
Net weight	36 g
Dimension (H × W × D)	133 × 62 × 57 mm
Packaging Units	
Unit type of package	PCE
Number of units in package	1

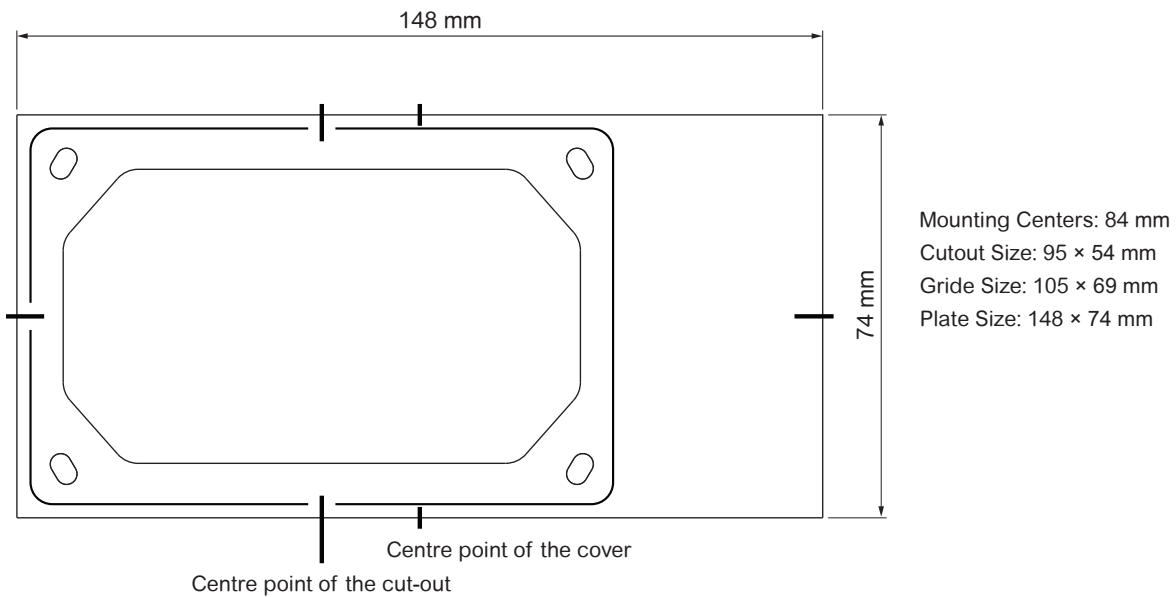


Dimensions (mm)

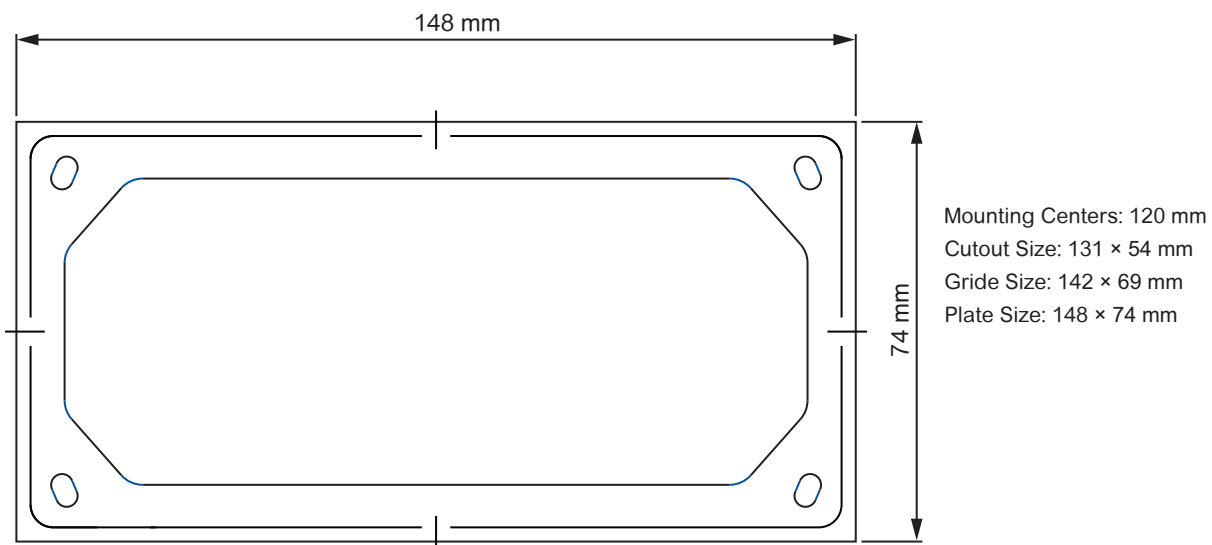


Cut-out standards for Solis and Solis T Series

Solis and Solis T Series



Note: The products using this template have an off-center cut-out design when compared to the front cover. This needs to be considered when installing the product on the left-hand vs right-hand side of the doorway or if trying to center the distance of the front cover to a reference point on the wall.



Solis and Solis T Series Adaptor Compatability Chart

Cat. No.	Push Button Adaptor Marked Cooker + LED 40PA32COOK	Push Button Adaptor for SW Mech + LED 40PA	Push Button Adaptor for Wiser Module + LED 40PWSA	Rotary Adaptor for Wiser Dimmer + LED 40RWDA	Toggle Adaptor for SW Mech + LED 40TA	Toggle Adaptor for Wiser Module + LED 40TWSA
						
PDL381M10	No	Yes	No	No	Yes	No
PDL381M20	No	Yes	No	No	Yes	No
PDL381M10PML-VW	No	Yes	No	No	Yes	No
PDL378M10	No	Yes	No	No	Yes	No
PDL380M32-VW	Yes	Yes	No	No	Yes	No
PDL380M20DP	Yes	Yes	No	No	Yes	No
PDL356PB10MBTZ-VW	No	No	Yes	No	No	Yes
PDL356PB2MBTZ-VW	No	No	Yes	No	No	Yes
PDL354PBDMBTZ-VW	No	No	Yes	Yes	No	Yes

Solis Mounting Compatibility Chart

Cat. No.	Wall Clips		Wall Brackets and Plates					Wall Boxes							
	154	154C4	155P	155NAR	PDL144P	PDL144M	PDL144M4	157/1P	157PRM4	157/1PRM	157/1	164/1	PDL140C	PDL140F	PDL141C
1041TA, 1042TA, 1043TA, 1041TUA, 1042TUA, 1043TUA, 1041PA, 1042PA, 1043PA, 1041PUA, 1042PUA, 1043PUA	Yes	No	Yes	Yes	Yes	Yes	No	Yes	No	Yes	Yes	Yes	Yes	Yes	Yes
1044TA, 1044TUA, 1044PA, 1044PUA	No	Yes	No	No	No	No	No	No	Yes	No	No	No	No	No	No
1025	Yes	No	Yes	Yes	Yes	Yes	No	Yes	No	Yes	Yes	Yes	Yes	Yes	Yes
1025XUA, 1025USBC	No	Yes	No	No	No	No	No	No	Yes	No	No	No	No	No	No
1010CSZ	Yes	No	Yes	Yes	Yes	Yes	No	Yes	No	Yes	Yes	Yes	Yes	Yes	Yes
3 Gang Plates with WISER 41EPBDWCLM, 41EPBDWCLMZ, 41ECSFWM, 41ECSFWMZ, 41E10PBSWM, 41E10PBSWMZ	Yes	No	Yes	Yes	Yes	Yes	No	No	No	No	No	No	Yes	Yes	Yes
	No	Yes	No	No	No	No	Yes	No	Yes	No	No	No	No	No	No
3 Gang Plates with WISER 41E2PBSM, 41E2PBSWMZ, 41EPBCLM, 41EPBM, 41E300PBUD2SM	Yes	No	Yes	Yes	Yes	Yes	No	No	No	No	No	No	Yes	Yes	Yes
4 Gang Plates with WISER 41E2PBSWM, 41E2PBSWMZ, 41EPBCLM, 41EPBM, 41E300PBUD2SM	Yes	No	Yes	Yes	Yes	Yes	No	No	No	No	No	No	Yes	Yes	Yes
1043CP Data/TV	Yes	No	Yes	Yes	Yes	Yes	No	Yes	No	Yes	Yes	Yes	Yes	Yes	Yes

Note:

- (1) Must be mounted between the gib and the bracket
 - (2) Front face must be recessed into the wall by 10 mm or 10 mm render
- Mounting accessories not mentioned in this list are not compatible

Wiring Diagrams

Standard Switching

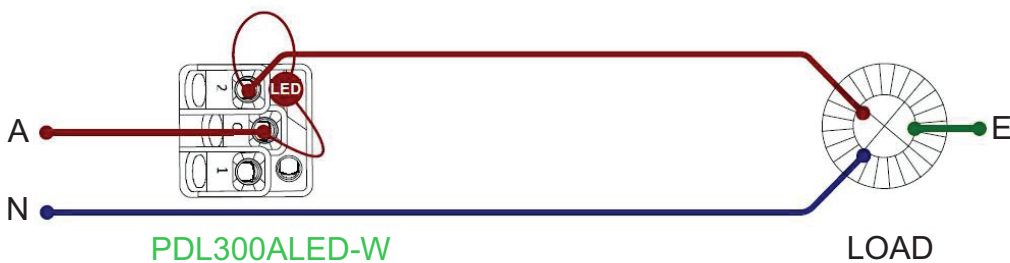
LED indicator is permanently "ON"



LED indicator "ON" when switch is "ON"



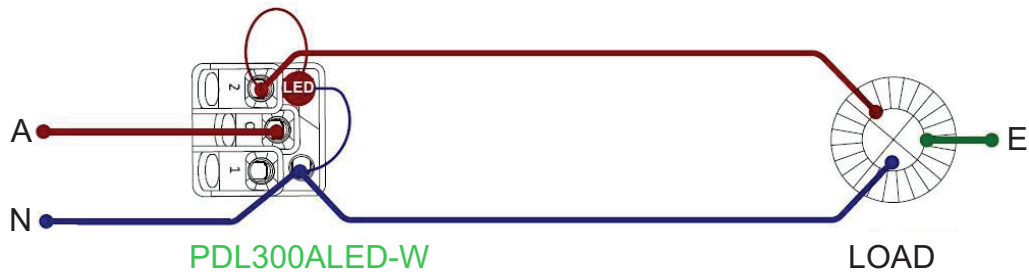
LED indicator "ON" when switch is "OFF"



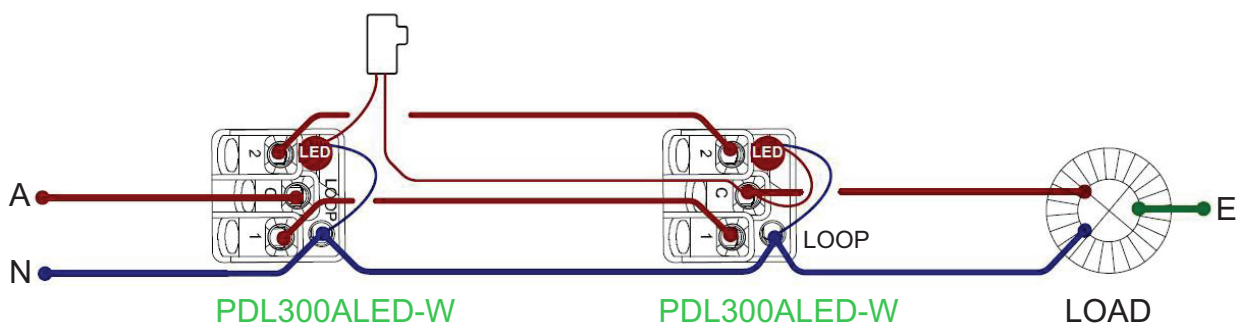
Wiring Diagrams

Standard Switching

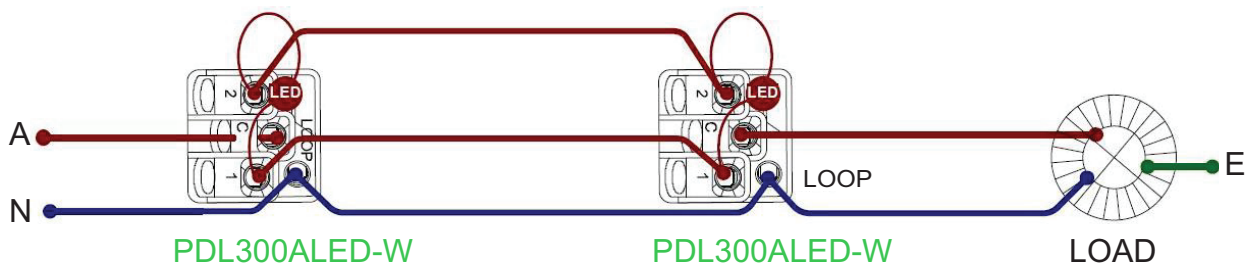
LED indicator as power availability indicator LED is "ON" when switch is "OFF"



2-Way switching neutral present at the switch LED indicator "ON" when switch is "ON"



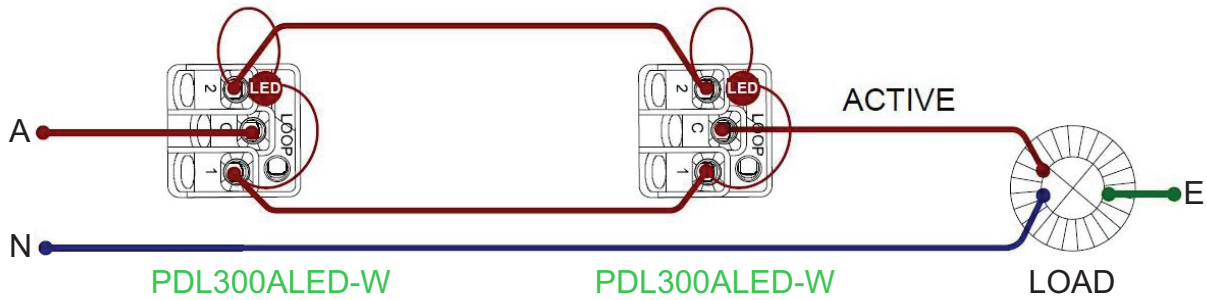
2-Way switching neutral present at switch LED indicator "ON" when switch is "OFF"



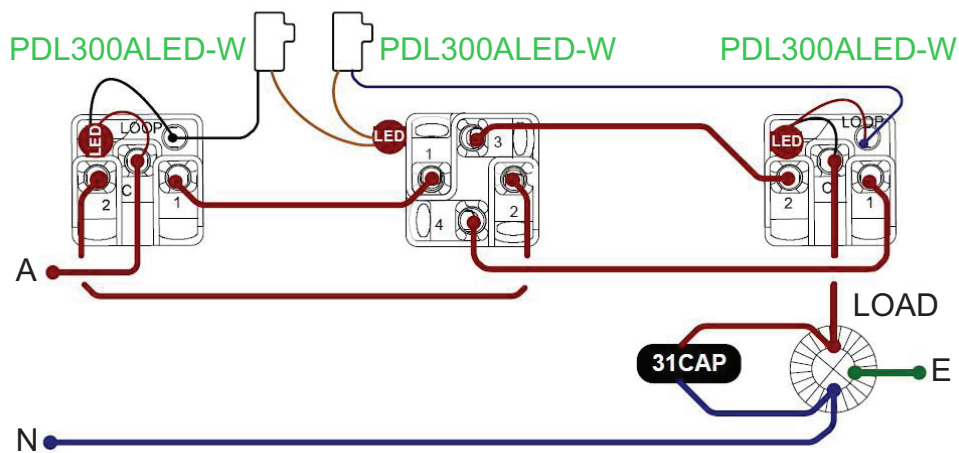
Wiring Diagrams

Standard Switching

2-Way switching no neutral present at switch LED indicator is "ON" when switch is "OFF"



Multi-way switching no neutral present at switch LED indicator is "ON" when load is "OFF"



Reference Numbers

Find technical information by product reference number

Ref.	Page
40PA32COOK-EA	46
40PA32COOK-LB	46
40PA32COOK-PT	46
40PA32COOK-WC	46
40PA32COOK-ZB	27
40PA32COOK-ZW	27
40PA-ZB	26
40PA-ZW	26
40PWSA-EA	45
40PWSA-LB	45
40PWSA-PT	45
40PWSA-WC	45
40PWSA-ZB	25
40PWSA-ZW	25
40RWDA-EA	44
40RWDA-LB	44
40RWDA-PT	44
40RWDA-WC	44
40RWDA-ZB	24
40RWDA-ZW	24
40TA-EA	43
40TA-LB	43
40TA-PT	43
40TA-WC	43
40TWSA-EA	42
40TWSA-LB	42
40TWSA-PT	42
40TWSA-WC	42
154C4	49
157PRM4	49
1010CSZ-ZB	11
1010CSZ-ZW	11
1015SCZ-EA	29
1015SCZ-LB	29
1015SCZ-PT	29
1015SCZ-WC	29
1025-EA	30
1025-LB	30
1025-PT	30
1025USBC-EA	32
1025USBC-LB	32
1025USBC-PT	32

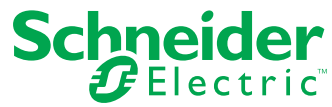
Ref.	Page
1025USBC-WC	32
1025USBC-ZB	14
1025USBC-ZW	14
1025-WC	30
1025XUA-EA	31
1025XUA-LB	31
1025XUA-PT	31
1025XUA-WC	31
1025XUA-ZB	13
1025XUA-ZW	13
1025-ZB	12
1025-ZW	12
1041PA-ZB	15
1041PA-ZW	15
1041PUA-ZB	19
1041PUA-ZW	19
1041TA-EA	33
1041TA-LB	33
1041TA-PT	33
1041TA-WC	33
1041TUA-EA	37
1041TUA-LB	37
1041TUA-PT	37
1041TUA-WC	37
1042PA-ZB	16
1042PA-ZW	16
1042PUA-ZB	20
1042PUA-ZW	20
1042TA-EA	34
1042TA-LB	34
1042TA-PT	34
1042TA-WC	34
1042TUA-EA	38
1042TUA-LB	38
1042TUA-PT	38
1042TUA-WC	38
1043CP-EA	41
1043CP-LB	41
1043CP-PT	41
1043CP-WC	41
1043CP-ZB	23
1043CP-ZW	23

Ref.	Page
1043PA-ZB	17
1043PA-ZW	17
1043PUA-ZB	21
1043PUA-ZW	21
1043TA-EA	35
1043TA-LB	35
1043TA-PT	35
1043TA-WC	35
1043TUA-EA	39
1043TUA-LB	39
1043TUA-PT	39
1043TUA-WC	39
1044PA-ZB	18
1044PA-ZW	18
1044PUA-ZB	22
1044PUA-ZW	22
1044TA-EA	36
1044TA-LB	36
1044TA-PT	36
1044TA-WC	36
1044TUA-EA	40
1044TUA-LB	40
1044TUA-PT	40
1044TUA-WC	40
PDL144M4	50

Notes

Notes

Life Is On



PDL by Schneider Electric
Level 2, Building 6, 60 Highbrook Drive,
Auckland 2013, New Zealand
www.pdl.co.nz

Consumer Support Enquiries
National Customer Care
Phone: 0800 741 303

09-2024

©2024 Schneider Electric. All Rights Reserved. Solis and PDL are trademarks of Schneider Electric Pty Ltd.

LSB03203EN



pdl.co.nz

Life Is On

