



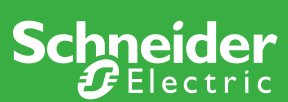
Reliable charging for efficient buildings

EVlink™ Pro AC and
EVlink™ Pro AC Metal



se.com/nz/emobility

Life Is On



EVlink™ Pro AC

Unique features

User-friendly

- Ease of daily operation - bright LED light give clear visual indicators of status for users
- Commissioning time reduced by up to 80% using new e-setup app (mobile friendly)
- Schneider Electric™ user resources easily accessible online including video guides to support first time EV charger users

Advanced Connectivity

- Schneider Electric e-setup app used for ease of commissioning on-the-go and ongoing maintenance
- Reduce commission times with the ability to pre-load configurations
- Remote monitoring: tested to be compatible with major charging platforms
- Robust free-standing outdoor metal kit available for public charging applications, with dual outlet options
- Schneider Electric internal servicing team available for commissioning and ongoing maintenance
- Smart charging
- OCPP 1.6 Json
- Modbus
- Plug-in 3G/4G modem option available

Sustainability

- Circularity profile
- Green Premium™ label
- Repairability

Reliability and safety

- Robust products:
 - Individually factory tested and certified
 - Compliant with latest strict European guidelines such as IEC61851 and “Plug & Charge”
- In-built RDC-DD 6mA protection, requiring only Type A protection upstream
- MNx (Under voltage tripping auxiliary protection embedded in the charger)

Return On Investment

- Serviceable components stocked locally for ease and speed of replacement
- IP55 - best in class suitable for outdoor use in harsh NZ environments
- IK10 - Commercial grade impact resistance
- Accurate 1% or better metering for fair and reliable user billing



Benefits

- Schneider Electric EVlink Pro AC, the next generation of charging stations for electric vehicles
- EVlink Pro AC:
 - Enables reliable & sustainable smart charging for residential multi-dwelling developments and commercial buildings
 - Scalable - future flexibility and expansion while being backwards compatible with legacy hardware
 - Ease and speed of commissioning reducing time needed on site
 - Built to last and reduce ongoing costs with options to service/repair
 - Ready for vehicle to grid
 - Maximise power availability & TOU using Schneider Electric dynamic load management

Characteristics

Characteristics	
Range	EVlink
Product name	EVlink Pro AC
Product type	AC charging station
Device short name	EVB3
Power supply	3P + N for power circuit 1P + N for power circuit
Mounting mode	Wall-mounted On a pedestal
In a metallic enclosure	Wall-mounted or floor-standing
(Us) rated supply voltage	380...415 V AC 50/60 Hz power circuit 220...240 V AC 50/60 Hz control circuit
Nominal output power	22 kW 380...415 V 7.4 kW 220...240 V
Access control system	NFC 13,56 MHz reader compatible with type 1, 2, 4 and 5 badges RFID reader: <ul style="list-style-type: none"> - In conformity with ISO/CEI 14443 A & B and ISO/CEI 15693 protocols - Compatible with Mifare Ultralight, Mifare Classic, Mifare Plus
Socket number	1
Output type	Front side T2 with shutter socket-outlet/silver plated contacts Front side attached cable with T2 connector
Earthing system	TT TN-S Compatible IT on 1-phase Compatible IT with additional isolation transformer on the 3-phase power supply
Digital inputs	1 for temporary current limitation 1 for postponed/suspended charge 1 for EV presence detection
Local signaling	1 multi-colour LED for status indication
Communication port protocol	OCPP 1.6 Json smart charging
Network connection embedded	Bluetooth Ethernet 2 ports (1 for daisy chain) Modbus serial
3 rd party network connection	OCPP 1.6 Json Modbus TCP
Network connection in option	Wireless 3G/4G modem
Available functions	Charging detail record Load management Diagnosis capabilities User authentication Software updates 1% metering
Operating mode	Standalone Clustered architecture

Technical data

Technical data	
Standard compliance	IEC/EN 61851-1 Ed 3.0 IEC/EN 62196-1 Ed 2.0 - IEC/EN 62196-2 Ed 1.0 EN 61000-6-2: 2019 EN 61000-6-3:2007 + A1:2011 IEC 60884-1 and NF-C 61314 AS/CA S042
Product certifications	CE EV Ready RCM
IP degree of protection	IP55 with T2S socket IP55 with attached cable
IK degree of shock protection	IK10
Ambient air temperature for operation	-30...50°C
Ambient air temperature for storage	-40...80°C
Operating altitude	2,000 m without physical derating
Relative humidity	5...95 %
Metering accuracy	1% metering accuracy
Charging station material Pedestal material	Polycarbonate UV treated Alu 5754 with zinc phosphate pre-treatment
Off-load charging station consumption	< 10 W
Charging station height Pedestal height	529 mm/21 in. 1,300 mm/51 in.
Charging station width Pedestal width	317 mm/12.5 in. 285 mm/11 in.
TS2 charging station depth	153 mm/6 in.
TS2 charging station + domestic socket depth	158 mm/6 in.
Charging station depth with attached cable	183 mm/7 in.
1 charging station + pedestal depth	229 mm/9 in.
2 charging stations + pedestal depth	384 mm/15 in.
Charging station net weight	7.5 kg/16.5 lb. 10 kg/22 lb. with attached cable
Pedestal net weight	5 kg/11 lb.
Charging station colour	Dark grey RAL 7016 Black RAL 9005 White RAL 9003
Pedestal colour	Dark grey RAL 7016
Environment class of operating charging station according to IEC/EN 60721-3-4	Biological conditions - 4B1 Chemically active substances - 4C2 Salt mist - 148 hours/ 6 days for outdoor Ka test (continuous)

EVlink Pro AC charging station part numbers

Part number	Type of socket	Power kW	Current output	Number of phases	Embedded protection	Embedded energy meter
EVB3S07N40M	T2S	7.4	32A	1PH	RDC-DD 6mA + MNX	MID 1PH
EVB3S07NC0**	ACT2*	7.4	32A	1PH	RDC-DD 6mA + MNX	No
EVB3S22N40M	T2S	22	32A	3PH	RDC-DD 6mA	MID 3PH
EVB3S22N4	T2S	22	32A	3PH	RDC-DD 6mA + iSWNA40 + MNX	No
EVB3S22NC0M	ACT2*	22	32A	3PH	RDC-DD 6mA	MID 3PH
EVB3S22NC0**	ACT2*	22	32A	3PH	RDC-DD 6mA + MNX	No

* Attached cable type 2
 ** Available from Q3 2023

EVlink accessories

Accessories	References
Embedded 4G modem with 2 internal antennas for EVlink Pro AC	EVA1MS*
10 RFID badges	EVP1BNS
Pedestal for 1 charging station	EVA1PBS1
Pedestal for 2 charging stations	EVA1PBS2
Plate to convert Pedestal for 1 charging station to Pedestal for 2 charging stations	EVA1PCS2
Permanent cable holder	EVA1PLS1*

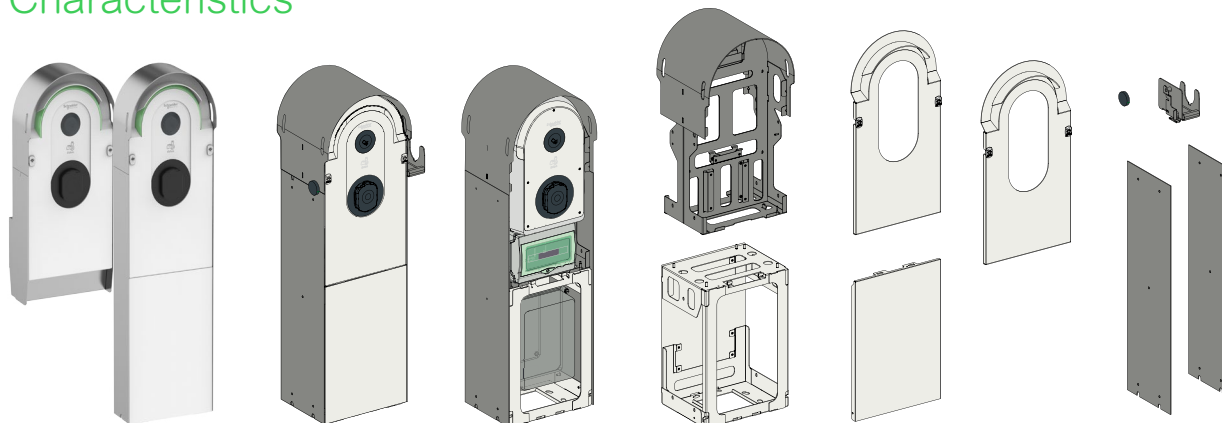
*Available from Q3 2023

Green Premium™

Offer sustainability	
Sustainable offer status	Green Premium product
EU RoHS Directive	Compliant
Mercury free	Yes
RoHS exemption information	Yes
Environmental Disclosure	Product Environmental Profile
Circularity Profile	End Of Life Information
REACH Regulation	Compliant

EVlink™ Pro AC Metal

Characteristics



EVlink Pro AC Metal charging station is sold as a kit and is available as:

- Wall-mounted 1 charge point
- Floor-standing 1 charge point
- Floor-standing 2 charge points

The components required to assemble the EVlink Pro AC Metal are as follows:

1. A metallic kit enclosure:
 - Wall-mounted 1 charge point or
 - Floor-standing 1 charge point or
 - Floor-standing 2 charge points
2. EVlink Pro AC charging station to be installed inside the metal enclosure
3. Optional: Kaedra enclosure(s) and/or Thalassa enclosure to be mounted inside the metal enclosure to accommodate the electrical protections

General characteristics

Range	EVlink
Product name	EVlink Pro AC Metal
Product type	AC charging station
Device short name	EVB3
Power supply	3P + N for power circuit 1P + N for power circuit
Mounting mode	Wall-mounted Floor-standing
Socket number	1 for the wall-mounted version 1 or 2 for the floor-standing version
Output type	Front side T2 with shutter socket-outlet/silver plated contacts Front side attached cable with T2 connector
EVlink Pro AC	All EVlink Pro AC charging stations can be assembled in any type of metallic kit

Characteristics of the charging station's complementary devices

Kaedra enclosure	Mini-Kaedra for modular device - 1 x 12 modules
Thalassa enclosure for floor-standing 2 charge points, 1 cable entrance 25² or 35²	PLS box1 Polyester rear Transparent PC cover IP66 27 x 27 x 18cm

Technical data

Technical data	
Standard compliance	IEC/EN 61851-1 Ed 3.0 IEC/EN 62196-1 Ed 2.0 - IEC/EN 62196-2 Ed 1.0 IEC 60884-1 and NF-C 61314 EN 61000-6-2: 2019 EN 61000-6-3:2007 - A1:2011 AS/CA S042
Metallic kit	IEC/EN 62208
Product certifications	CE EV Ready RCM
IP degree of the EVlink Pro AC	IP55 with T2S socket IP55 with attached cable
IP degree of enclosures in accordance with IEC 60529	IP3X metallic enclosure IP65 Kaedra enclosure IP66 Thalassa enclosure
IK degree of shock protection	IK10
Ambient air temperature for operation	-30...50°C
Ambient air temperature for storage	-40...80°C
Relative humidity	5...95 %
EVlink Pro AC Metal enclosure material	Electrogalvanized steel class C4M
WM1CP¹ height	783 mm / 30.8 in.
FS1CP² height	1,360 mm / 53.5 in.
FS2CP³ height	1,360 mm / 53.5 in.
EVlink Pro AC Metal width	390 mm / 15.3 in.
TS2 WM1CP / WM1CP¹ attached cable depth	180.3 mm / 7.1 in.
TS2 FS1CP / FS1CP² attached cable depth	180.3 mm / 7.1 in.
TS2 FS2CP / FS2CP³ attached cable depth	355.6 mm / 14 in.
Charging station depth with attached cable	
WM1CP¹ net weight	36 kg / 66.1 lb
FS1CP² net weight	60 kg / 110.2
FS2CP³ net weight	80 kg / 176.3
EVlink Pro AC Metal colour: front and rear plate	White RAL 9003
EVlink Pro AC Metal colour: side cover metal	Alu grey RAL 9022
Corrosivity category according to ISO12944-2	C3M
¹ WM1CP: EVlink Pro AC Metal wall-mounted 1 charge point	
² FS1CP: EVlink Pro AC Metal floor-standing 1 charge point	
³ FS2CP: EVlink Pro AC Metal floor-standing 2 charge points	

NOTE: All EVlink Pro AC charging stations can be assembled in any metallic kit type.

Metallic kit part numbers

Part number	Description
EVA1RWKS1	EVlink metallic kit for EVlink Pro AC wall-mounted 1 charge point
EVA1RFKS1	EVlink metallic kit for EVlink Pro AC floor-standing 1 charge point
EVA1RFKS2	EVlink metallic kit for EVlink Pro AC floor-standing 2 charge points

EVlink Pro AC Metal accessories

Accessories	References
Embedded 4G modem with an external antenna for EVlink Pro AC Metal*	EVA1MM
Cable holder	EVA1FWHS12
10 RFID badges	EVP1BNS
Kaedra enclosure*	13979
Thalassa enclosure	EVA1RFKES
Locking accessory or the metal kit*	NSYCL610CSX

*Available Q3 2023

NOTE: All EVlink Pro AC charging stations can be assembled in any metallic kit type.

Green Premium™

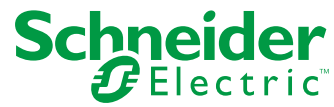


Offer sustainability

Sustainable offer status	Green Premium product
EU RoHS Directive	Compliant
Mercury free	Yes
RoHS exemption information	Yes
Environmental Disclosure	Product Environmental Profile
Circularity Profile	End Of Life Information
REACH Regulation	Compliant



Life Is On



se.com/nz/emobility

Schneider Electric Pty Ltd
Level 2, Building 6/60 Highbrook Drive,
East Tāmaki, Manukau 2013, New Zealand

©2023 Schneider Electric. All Rights Reserved.
Schneider Electric | Life Is On is a trademark and the property of Schneider Electric SE, its subsidiaries, and affiliated companies.
998-22784850