

FLOOR BOX

CODE: FB4P

- Robust floor box with reversible low profile lid.
- Large capacity cable exit flap with retracing handle.
- Modular box body and lid design, interchangeable with stainless and other lids in the floor box range.

**MOULDED POLYAMIDE GREY
REVERSIBLE SURFACE LID**

7 MM REBATE LID/DEEP BOX

**BEVELLED EDGE:
FITS ON TOP OF FLOORING FINISH**

OPTION TO FIT CAM LOCK



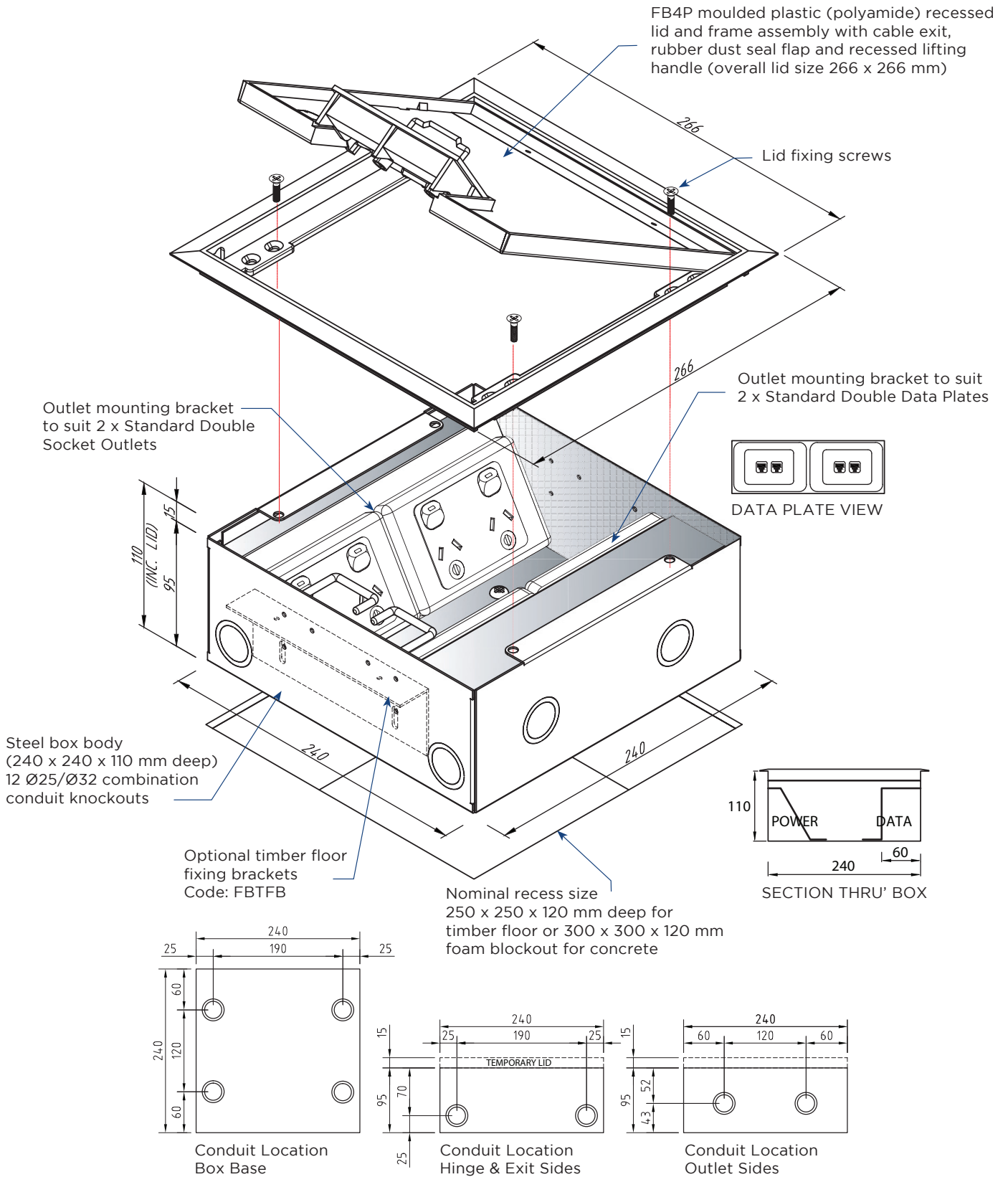
LID SIZE: 266 x 266 mm

BOX SIZE: 240 x 240 x 110 mm Deep

SUPPLIED WITH: 2 x Standard Double Socket Outlets
2 x Standard Double Data Plates
Temporary Construction Lid

SUITABLE FOR: Category 6A & 7A Cabling

FB4P ASSEMBLY



All dimension quoted are nominal only. Drawings, images and text are for illustrative purposes only and product details and dimensions are subject to change without notice.

This product is not suitable for use in wet areas. It is intended for use with fixed wiring only and must be installed according to the AS/NZ 3000 Wiring Rules.