

CONTROL OF CONDENSATION | JULY 2021

VENT OVER FASCIA VENTILATOR

G1200N

DESCRIPTION

The G1200N Over Fascia Vent is designed to discreetly ensure a positive airflow into the roof space between the roof membrane and the fascia board.

FEATURES

- Free airflow of 10,000mm² per linear metre.
- Releases hot air from roof voids and eliminates condensation.
- Forms part of a passive ventilation system that works year round with no moving parts or energy consumption.
- Easy to install.
- Not visible as hidden by spouting/gutter.
- Insect proof - 4mm vents prevent ingress of nesting insects.

SCOPE OF USE

- Suitable for roof pitches >15°.
- Compatible with timber or metal fascia.
- Suitable for new builds or renovations.
- Should be used in conjunction with the VENT Roll Panel Vent/Eaves Baffle Vent (G502) to ensure continuous and unimpeded airflow past the insulation.
- To be used as part of proprietary ventilation system.

WARRANTY

- 15 Years

MAINTENANCE

- No maintenance requirements.

INSTALLATION

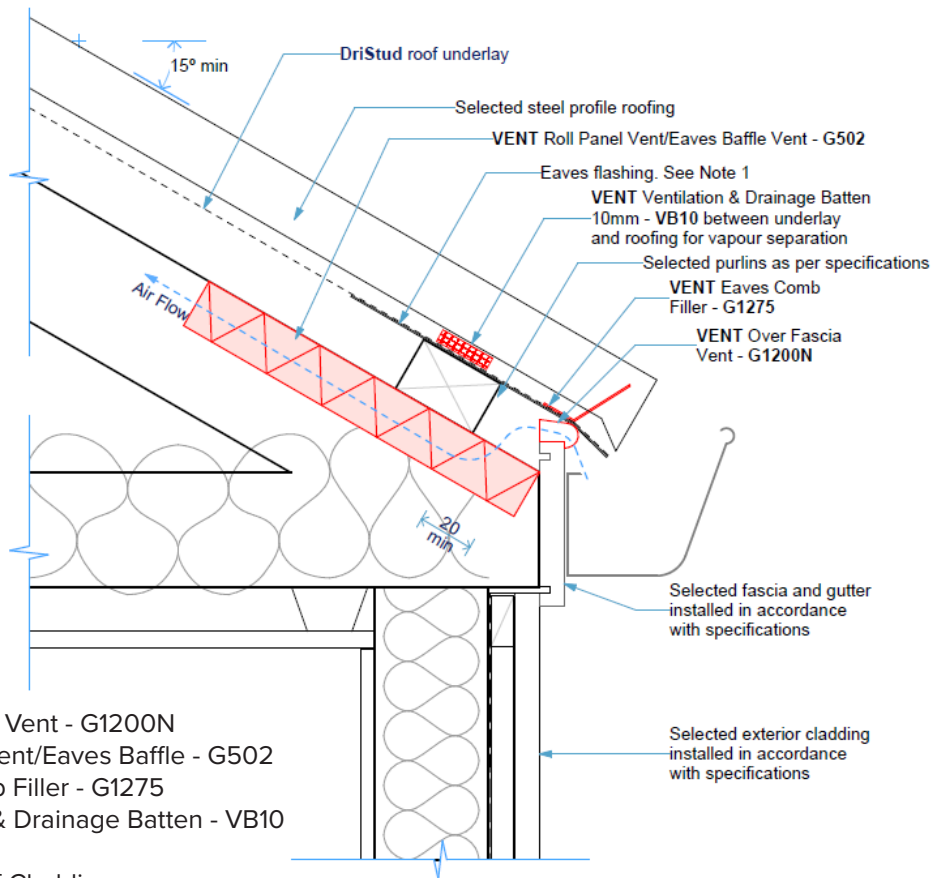
1. The G1200N Over Fascia Ventilator should be nailed or screwed to the top of the fascia board through the fixing holes provided along the full length of the eaves as shown.
2. For technical assistance contact the DriSpace technical team.



VENT OVER FASCIA VENTILATOR

G1200N

Fig A: Trussed Roof Application - No Eaves

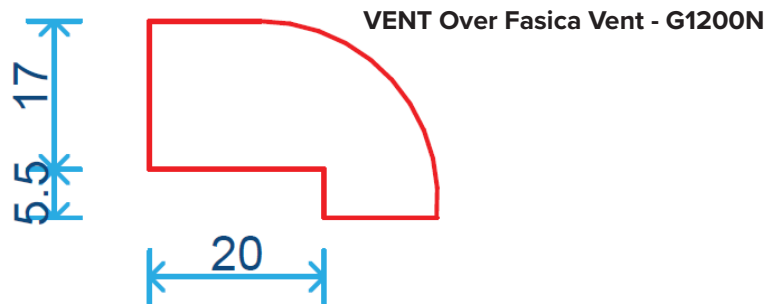


- VENT Over Fascia Vent - G1200N
- VENT Roll Panel Vent/Eaves Baffle - G502
- VENT Eaves Comb Filler - G1275
- VENT Ventilation & Drainage Batten - VB10

Profiled Steel Roof Cladding
 Ventilated Fascia - Cold Roof No Eave - Over 15°
 (10,000mm² lin/m)
 Use this method to provide ventilation to trussed roofs only. Vent G2500N + VB20 required for skillion roofs. A minimum of 20mm gap between the bottom purlin and Over Fascia Vent must be maintained to allow air flow into roof cavity.

Note 1:
 Eave flashing required where all of the following conditions are met:
 — Roof pitch less than 10° and,
 — Soffit width less than or equal to 100mm and,
 — Wind zone is Very High or greater.

Fig B: Product Dimensions



Note: Diagrams are for guidance purposes only. The overall design is the responsibility of the designer as there are often other factors to consider. The company maintains a policy of continuous development of its product range and reserves the right to amend the specification without notice.

VENT OVER FASCIA VENTILATOR

G1200N

Fig C: Trussed Roof Application - With Eaves

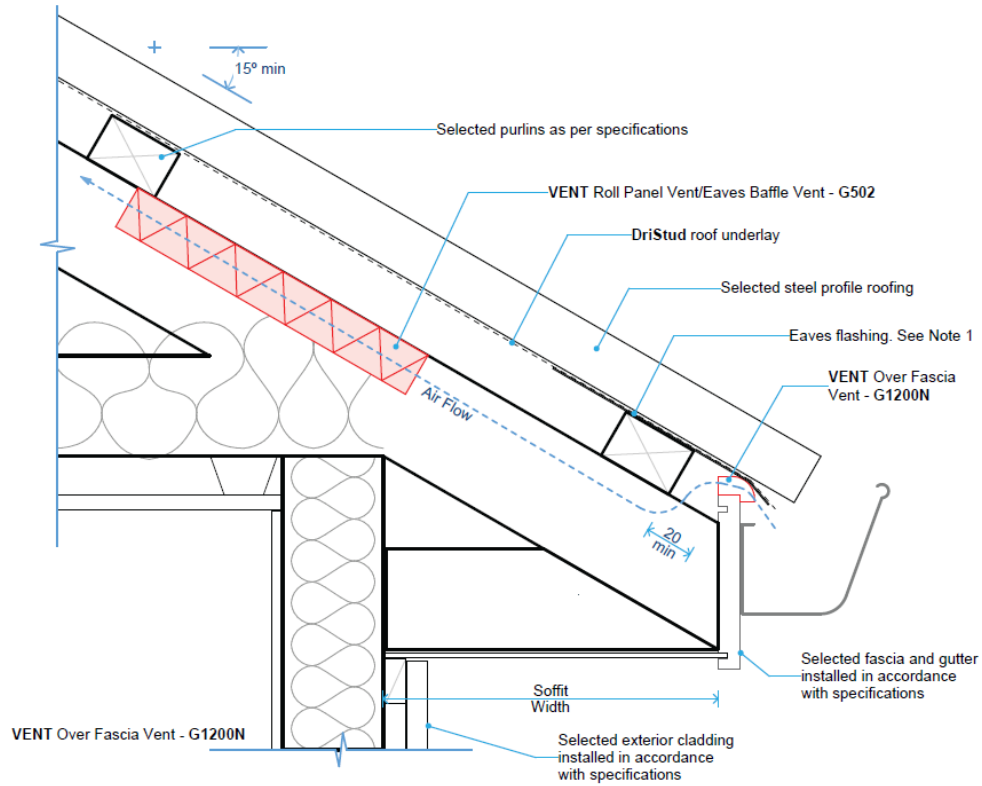
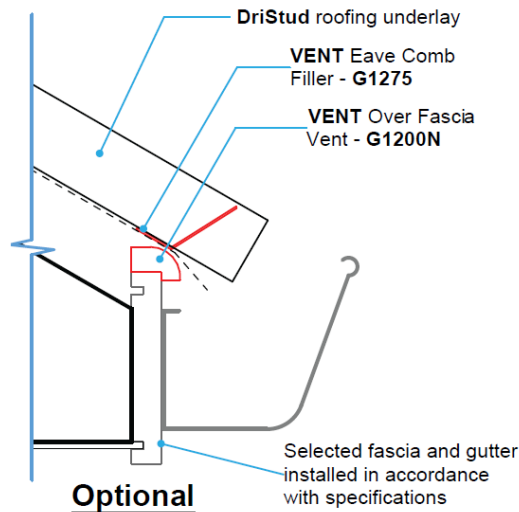


Fig D: VENT Over Fascia Vent G1200N fitted with VENT Eaves Comb Filler G1275



Note: Diagrams are for guidance purposes only. The overall design is the responsibility of the designer as there are often other factors to consider. The company maintains a policy of continuous development of its product range and reserves the right to amend the specification without notice.

VENT OVER FASCIA VENTILATOR G1200N

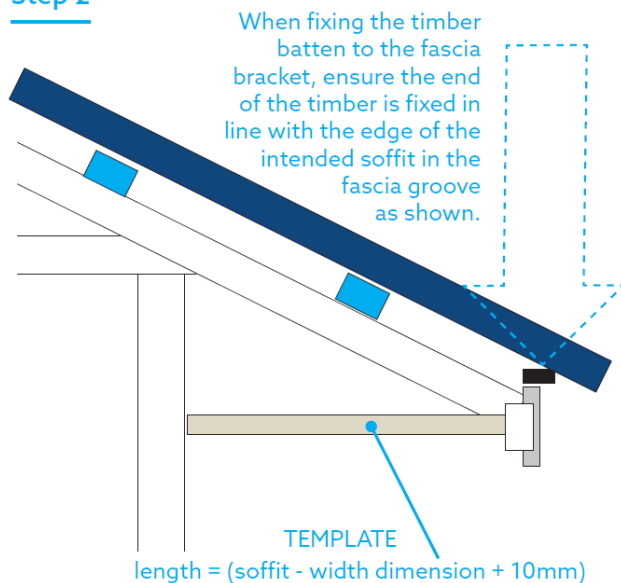
FOR BUILDERS & ROOFERS

Step 1 - Construct a Template

1. Cut a short section of fascia and attach a similar length of the proposed G1200N Over Fascia Vent over the top.
2. Attach proposed fixing plate to fascia.
3. Fix a length of timber batten (the width of the proposed soffit board + 10mm) to the fixing plate.

Step 2 - Temporarily fix 2 roof purlins (light blue) over the trussed and lay a straight edge (dark blue) over the top to establish the finished fascia/vent height.

Step 2



The template example shown is for a 600mm wide soffit board. Consequently the timber batten is cut at 610mm and fixed to the fascia fixing plate as illustrated.

The template is then butted to the external wall frame, lifted horizontally up to the underside of the straight edge and the fixing plate can then be marked onto the truss end as shown in step 2.

Your fascia height is now set.

Note: For skillion roofs with a VB20 Ventilated batten fixed over the purlin, the fascia height will be raised by 20mm.

FOR ARCHITECTS

15+° cold roof

Fascia height to drop by 18mm to allow for G1200N VENT Over Fascia Vent.



Eaves Comb Filler G1275 + Over Fascia Ventilator G1200N

