

RANGE	GB Honed
PRODUCT CODE	10-01
DESCRIPTION	90mm Honed Standard Veneer

TYPICAL PROPERTIES

NOMINAL DIMENSIONS (THICKNESS X HEIGHT X LENGTH mm)	100 x 200 x 400
ACTUAL DIMENSIONS (THICKNESS X HEIGHT X LENGTH mm)	90 x 190 x 390
CORE VOLUME (% OVERALL THICKNESS)	<30
CHARACTERISTIC UNCONFINED COMPRESSIVE STRENGTH (MPa)	>15
MINIMUM FACE SHELL THICKNESS (mm)	25
AVERAGE BLOCK WEIGHT (kg)	11.0
AVERAGE NUMBER PER TONNE	90
NUMBER PER PALLET	180
NUMBER PER m ²	12.5
DURABILITY (TO AS4456.10 - Sodium Sulphate and Sodium Chloride)	General Purpose
WALL MASS INC. MORTAR HOLLOW (kg/m ²)	150
Characteristic Unconfined Compressive Strength (FUC)	

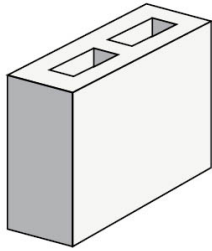
FIRE RESISTANCE LEVELS

Structural Adequacy (see notes)	60 to 240
Integrity	60
Insulation	60
Notes: Maximum Slenderness ratio (Srf) of hollow masonry, from AS3700:2011, Table 6.1, is: 18.0 at 60 minutes 17.0 at 90 minutes 16.0 at 120 minutes 15.5 at 180 minutes 15.5 at 240 minutes	

This data represents average results from commercial production lots and is for general description purposes only. Figures are accurate at date of publication and subject to change without notice. Contact Austral Masonry for confirmation of product specification. December 2013.

AM-NSW-000909

*Manufactured to AS/NZS 4455.1: 2008. Tested as per AS/NZS 4456: 2003. Fire Resistance Levels as per AS3700:2011, derived from Fire Tests, BRANZ and Exova Warringtonfire Aus Pty Ltd, 2012. Acoustic opinion derived from Day Design Pty Ltd, 2012. Tested in accordance with AS 1191:2002 and AS/NZS 1276.1:1999.



RANGE	GB Honed
PRODUCT CODE	10-02
DESCRIPTION	

TYPICAL PROPERTIES

NOMINAL DIMENSIONS (THICKNESS X HEIGHT X LENGTH mm)	100 x 200 x 300
ACTUAL DIMENSIONS (THICKNESS X HEIGHT X LENGTH mm)	90 x 190 x 290
CORE VOLUME (% OVERALL THICKNESS)	<30
CHARACTERISTIC UNCONFINED COMPRESSIVE STRENGTH (MPa)	
MINIMUM FACE SHELL THICKNESS (mm)	
AVERAGE BLOCK WEIGHT (kg)	7.7
AVERAGE NUMBER PER TONNE	129.8701298701299
NUMBER PER PALLET	240
NUMBER PER m ²	
DURABILITY (TO AS4456.10 - Sodium Sulphate and Sodium Chloride)	General Purpose
WALL MASS INC. MORTAR HOLLOW (kg/m ²)	
Characteristic Unconfined Compressive Strength (FUC)	

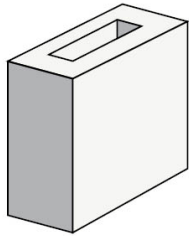
FIRE RESISTANCE LEVELS

Structural Adequacy (see notes)	60 to 240
Integrity	60
Insulation	60
Notes: Maximum Slenderness ratio (Srf) of hollow masonry, from AS3700:2011, Table 6.1, is: 18.0 at 60 minutes 17.0 at 90 minutes 16.0 at 120 minutes 15.5 at 180 minutes 15.5 at 240 minutes	

This data represents average results from commercial production lots and is for general description purposes only. Figures are accurate at date of publication and subject to change without notice. Contact Austral Masonry for confirmation of product specification. December 2013.

AM-NSW-000910

*Manufactured to AS/NZS 4455.1: 2008. Tested as per AS/NZS 4456: 2003. Fire Resistance Levels as per AS3700:2011, derived from Fire Tests, BRANZ and Exova Warringtonfire Aus Pty Ltd, 2012. Acoustic opinion derived from Day Design Pty Ltd, 2012. Tested in accordance with AS 1191:2002 and AS/NZS 1276.1:1999.



RANGE	GB Honed
PRODUCT CODE	10-03
DESCRIPTION	90mm Half

TYPICAL PROPERTIES

NOMINAL DIMENSIONS (THICKNESS X HEIGHT X LENGTH mm)	100 x 200 x 200
ACTUAL DIMENSIONS (THICKNESS X HEIGHT X LENGTH mm)	90 x 190 x 190
CORE VOLUME (% OVERALL THICKNESS)	<30
CHARACTERISTIC UNCONFINED COMPRESSIVE STRENGTH (MPa)	>15
MINIMUM FACE SHELL THICKNESS (mm)	30
AVERAGE BLOCK WEIGHT (kg)	4.9
AVERAGE NUMBER PER TONNE	204
NUMBER PER PALLET	360
NUMBER PER m ²	25
DURABILITY (TO AS4456.10 - Sodium Sulphate and Sodium Chloride)	General Purpose
WALL MASS INC. MORTAR HOLLOW (kg/m ²)	n/a
Characteristic Unconfined Compressive Strength (FUC)	

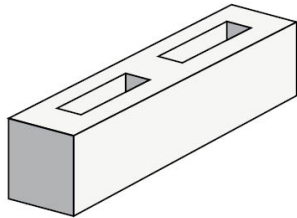
FIRE RESISTANCE LEVELS

Structural Adequacy (see notes)	60 to 240
Integrity	60
Insulation	60
Notes: Maximum Slenderness ratio (Srf) of hollow masonry, from AS3700:2011, Table 6.1, is: 18.0 at 60 minutes 17.0 at 90 minutes 16.0 at 120 minutes 15.5 at 180 minutes 15.5 at 240 minutes	

This data represents average results from commercial production lots and is for general description purposes only. Figures are accurate at date of publication and subject to change without notice. Contact Austral Masonry for confirmation of product specification. December 2013.

AM-NSW-000911

*Manufactured to AS/NZS 4455.1: 2008. Tested as per AS/NZS 4456: 2003. Fire Resistance Levels as per AS3700:2011, derived from Fire Tests, BRANZ and Exova Warringtonfire Aus Pty Ltd, 2012. Acoustic opinion derived from Day Design Pty Ltd, 2012. Tested in accordance with AS 1191:2002 and AS/NZS 1276.1:1999.



RANGE	GB Honed
PRODUCT CODE	10-71
DESCRIPTION	90mm Honed Standard half height

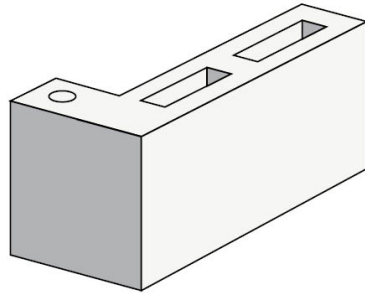
TYPICAL PROPERTIES	
NOMINAL DIMENSIONS (THICKNESS X HEIGHT X LENGTH mm)	100 x 100 x 400
ACTUAL DIMENSIONS (THICKNESS X HEIGHT X LENGTH mm)	90 x 90 x 390
CORE VOLUME (% OVERALL THICKNESS)	28
CHARACTERISTIC UNCONFINED COMPRESSIVE STRENGTH (MPa)	>15
MINIMUM FACE SHELL THICKNESS (mm)	25
AVERAGE BLOCK WEIGHT (kg)	5.3
AVERAGE NUMBER PER TONNE	189
NUMBER PER PALLET	360
NUMBER PER m ²	25 or 2.5/lineal meter as caps
DURABILITY (TO AS4456.10 - Sodium Sulphate and Sodium Chloride)	General Purpose
WALL MASS INC. MORTAR HOLLOW (kg/m ²)	147
Characteristic Unconfined Compressive Strength (FUC)	

FIRE RESISTANCE LEVELS	
Structural Adequacy (see notes)	60 to 240
Integrity	60
Insulation	60
Notes: Maximum Slenderness ratio (Srf) of hollow masonry, from AS3700:2011, Table 6.1, is: 18.0 at 60 minutes 17.0 at 90 minutes 16.0 at 120 minutes 15.5 at 180 minutes 15.5 at 240 minutes	

This data represents average results from commercial production lots and is for general description purposes only. Figures are accurate at date of publication and subject to change without notice. Contact Austral Masonry for confirmation of product specification. December 2013.

AM-NSW-000912

*Manufactured to AS/NZS 4455.1: 2008. Tested as per AS/NZS 4456: 2003. Fire Resistance Levels as per AS3700:2011, derived from Fire Tests, BRANZ and Exova Warringtonfire Aus Pty Ltd, 2012. Acoustic opinion derived from Day Design Pty Ltd, 2012. Tested in accordance with AS 1191:2002 and AS/NZS 1276.1:1999.



RANGE	GB Honed
PRODUCT CODE	10-25
DESCRIPTION	

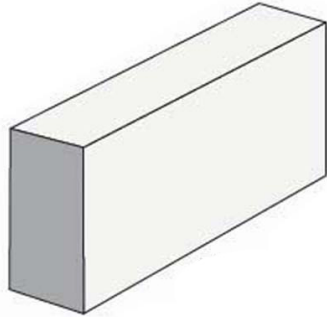
TYPICAL PROPERTIES	
NOMINAL DIMENSIONS (THICKNESS X HEIGHT X LENGTH mm)	100 x 200 x 400
ACTUAL DIMENSIONS (THICKNESS X HEIGHT X LENGTH mm)	90 x 190 x 390
CORE VOLUME (% OVERALL THICKNESS)	<30
CHARACTERISTIC UNCONFINED COMPRESSIVE STRENGTH (MPa)	
MINIMUM FACE SHELL THICKNESS (mm)	
AVERAGE BLOCK WEIGHT (kg)	13.3
AVERAGE NUMBER PER TONNE	75.18796992481202
NUMBER PER PALLET	120
NUMBER PER m ²	
DURABILITY (TO AS4456.10 - Sodium Sulphate and Sodium Chloride)	General Purpose
WALL MASS INC. MORTAR HOLLOW (kg/m ²)	
Characteristic Unconfined Compressive Strength (FUC)	

FIRE RESISTANCE LEVELS	
Structural Adequacy (see notes)	60 to 240
Integrity	60
Insulation	60
Notes: Maximum Slenderness ratio (Srf) of hollow masonry, from AS3700:2011, Table 6.1, is: 18.0 at 60 minutes 17.0 at 90 minutes 16.0 at 120 minutes 15.5 at 180 minutes 15.5 at 240 minutes	

This data represents average results from commercial production lots and is for general description purposes only. Figures are accurate at date of publication and subject to change without notice. Contact Austral Masonry for confirmation of product specification. December 2013.

AM-NSW-003035

*Manufactured to AS/NZS 4455.1: 2008. Tested as per AS/NZS 4456: 2003. Fire Resistance Levels as per AS3700:2011, derived from Fire Tests, BRANZ and Exova Warringtonfire Aus Pty Ltd, 2012. Acoustic opinion derived from Day Design Pty Ltd, 2012. Tested in accordance with AS 1191:2002 and AS/NZS 1276.1:1999.



RANGE	GB Honed
PRODUCT CODE	10-31
DESCRIPTION	Classic Honed

TYPICAL PROPERTIES

NOMINAL DIMENSIONS (THICKNESS X HEIGHT X LENGTH mm)	100 x 200 x 400
ACTUAL DIMENSIONS (THICKNESS X HEIGHT X LENGTH mm)	90 x 190 x 390
CORE VOLUME (% OVERALL THICKNESS)	Solid
CHARACTERISTIC UNCONFINED COMPRESSIVE STRENGTH (MPa)	>12
MINIMUM FACE SHELL THICKNESS (mm)	90
AVERAGE BLOCK WEIGHT (kg)	14.3
AVERAGE NUMBER PER TONNE	70
NUMBER PER PALLET	144
NUMBER PER m ²	12.5
DURABILITY (TO AS4456.10 - Sodium Sulphate and Sodium Chloride)	General Purpose
WALL MASS INC. MORTAR HOLLOW (kg/m ²)	NA
Characteristic Unconfined Compressive Strength (FUC)	

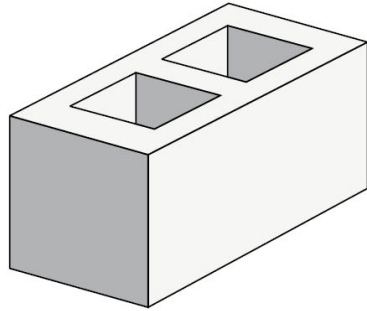
FIRE RESISTANCE LEVELS

Structural Adequacy (see notes)	60 to 240
Integrity	60
Insulation	60
Notes: Maximum Slenderness ratio (Srf) of hollow masonry, from AS3700:2011, Table 6.1, is: 18.0 at 60 minutes 17.0 at 90 minutes 16.0 at 120 minutes 15.5 at 180 minutes 15.5 at 240 minutes	

This data represents average results from commercial production lots and is for general description purposes only. Figures are accurate at date of publication and subject to change without notice. Contact Austral Masonry for confirmation of product specification. December 2013.

AM-NSW-003160

*Manufactured to AS/NZS 4455.1: 2008. Tested as per AS/NZS 4456: 2003. Fire Resistance Levels as per AS3700:2011, derived from Fire Tests, BRANZ and Exova Warringtonfire Aus Pty Ltd, 2012. Acoustic opinion derived from Day Design Pty Ltd, 2012. Tested in accordance with AS 1191:2002 and AS/NZS 1276.1:1999.



RANGE	GB Honed
PRODUCT CODE	20-01
DESCRIPTION	190mm Honed Standard

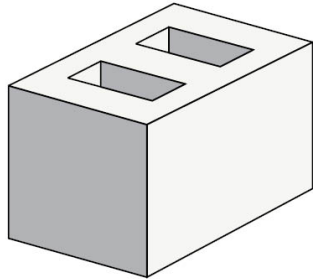
TYPICAL PROPERTIES	
NOMINAL DIMENSIONS (THICKNESS X HEIGHT X LENGTH mm)	200 x 200 x 400
ACTUAL DIMENSIONS (THICKNESS X HEIGHT X LENGTH mm)	190 x 190 x 390
CORE VOLUME (% OVERALL THICKNESS)	47
CHARACTERISTIC UNCONFINED COMPRESSIVE STRENGTH (MPa)	>15
MINIMUM FACE SHELL THICKNESS (mm)	30
AVERAGE BLOCK WEIGHT (kg)	15.2
AVERAGE NUMBER PER TONNE	66
NUMBER PER PALLET	90
NUMBER PER m ²	12.5
DURABILITY (TO AS4456.10 - Sodium Sulphate and Sodium Chloride)	General Purpose
WALL MASS INC. MORTAR HOLLOW (kg/m ²)	199
Characteristic Unconfined Compressive Strength (FUC)	

FIRE RESISTANCE LEVELS	
Structural Adequacy (see notes)	60 to 240
Integrity	60
Insulation	60
Notes: Maximum Slenderness ratio (Srf) of hollow masonry, from AS3700:2011, Table 6.1, is: 18.0 at 60 minutes 17.0 at 90 minutes 16.0 at 120 minutes 15.5 at 180 minutes 15.5 at 240 minutes	

This data represents average results from commercial production lots and is for general description purposes only. Figures are accurate at date of publication and subject to change without notice. Contact Austral Masonry for confirmation of product specification. December 2013.

AM-NSW-000913

*Manufactured to AS/NZS 4455.1: 2008. Tested as per AS/NZS 4456: 2003. Fire Resistance Levels as per AS3700:2011, derived from Fire Tests, BRANZ and Exova Warringtonfire Aus Pty Ltd, 2012. Acoustic opinion derived from Day Design Pty Ltd, 2012. Tested in accordance with AS 1191:2002 and AS/NZS 1276.1:1999.



RANGE	GB Honed
PRODUCT CODE	20-02
DESCRIPTION	190mm Three Quarter

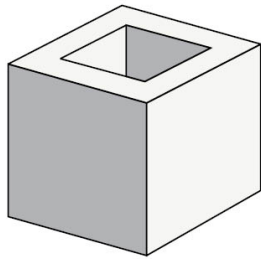
TYPICAL PROPERTIES	
NOMINAL DIMENSIONS (THICKNESS X HEIGHT X LENGTH mm)	200x200x300
ACTUAL DIMENSIONS (THICKNESS X HEIGHT X LENGTH mm)	190x190x290
CORE VOLUME (% OVERALL THICKNESS)	48
CHARACTERISTIC UNCONFINED COMPRESSIVE STRENGTH (MPa)	> 15
MINIMUM FACE SHELL THICKNESS (mm)	
AVERAGE BLOCK WEIGHT (kg)	14.3
AVERAGE NUMBER PER TONNE	69.93006993006993
NUMBER PER PALLET	90
NUMBER PER m ²	
DURABILITY (TO AS4456.10 - Sodium Sulphate and Sodium Chloride)	General Purpose
WALL MASS INC. MORTAR HOLLOW (kg/m ²)	
Characteristic Unconfined Compressive Strength (FUC)	

FIRE RESISTANCE LEVELS	
Structural Adequacy (see notes)	60 to 240
Integrity	60
Insulation	60
Notes: Maximum Slenderness ratio (Srf) of hollow masonry, from AS3700:2011, Table 6.1, is: 18.0 at 60 minutes 17.0 at 90 minutes 16.0 at 120 minutes 15.5 at 180 minutes 15.5 at 240 minutes	

This data represents average results from commercial production lots and is for general description purposes only. Figures are accurate at date of publication and subject to change without notice. Contact Austral Masonry for confirmation of product specification. December 2013.

AM-NSW-000914

*Manufactured to AS/NZS 4455.1: 2008. Tested as per AS/NZS 4456: 2003. Fire Resistance Levels as per AS3700:2011, derived from Fire Tests, BRANZ and Exova Warringtonfire Aus Pty Ltd, 2012. Acoustic opinion derived from Day Design Pty Ltd, 2012. Tested in accordance with AS 1191:2002 and AS/NZS 1276.1:1999.



RANGE	GB Honed
PRODUCT CODE	20-03
DESCRIPTION	190mm Half

TYPICAL PROPERTIES

NOMINAL DIMENSIONS (THICKNESS X HEIGHT X LENGTH mm)	200 x 200 x 200
ACTUAL DIMENSIONS (THICKNESS X HEIGHT X LENGTH mm)	190 x 190 x 190
CORE VOLUME (% OVERALL THICKNESS)	>30
CHARACTERISTIC UNCONFINED COMPRESSIVE STRENGTH (MPa)	>15
MINIMUM FACE SHELL THICKNESS (mm)	30
AVERAGE BLOCK WEIGHT (kg)	8.7
AVERAGE NUMBER PER TONNE	115
NUMBER PER PALLET	180
NUMBER PER m ²	25
DURABILITY (TO AS4456.10 - Sodium Sulphate and Sodium Chloride)	General Purpose
WALL MASS INC. MORTAR HOLLOW (kg/m ²)	n/a
Characteristic Unconfined Compressive Strength (FUC)	

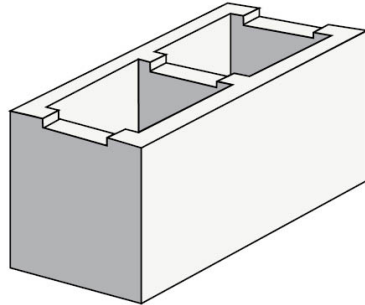
FIRE RESISTANCE LEVELS

Structural Adequacy (see notes)	60 to 240
Integrity	60
Insulation	60
Notes: Maximum Slenderness ratio (Srf) of hollow masonry, from AS3700:2011, Table 6.1, is: 18.0 at 60 minutes 17.0 at 90 minutes 16.0 at 120 minutes 15.5 at 180 minutes 15.5 at 240 minutes	

This data represents average results from commercial production lots and is for general description purposes only. Figures are accurate at date of publication and subject to change without notice. Contact Austral Masonry for confirmation of product specification. December 2013.

AM-NSW-000915

*Manufactured to AS/NZS 4455.1: 2008. Tested as per AS/NZS 4456: 2003. Fire Resistance Levels as per AS3700:2011, derived from Fire Tests, BRANZ and Exova Warringtonfire Aus Pty Ltd, 2012. Acoustic opinion derived from Day Design Pty Ltd, 2012. Tested in accordance with AS 1191:2002 and AS/NZS 1276.1:1999.



RANGE	GB Honed
PRODUCT CODE	20-42
DESCRIPTION	190mm Honed Channel

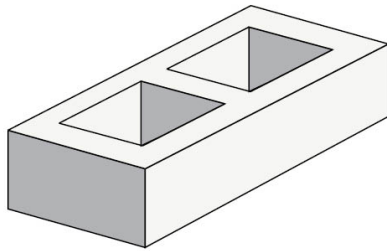
TYPICAL PROPERTIES	
NOMINAL DIMENSIONS (THICKNESS X HEIGHT X LENGTH mm)	200 x 200 x 400
ACTUAL DIMENSIONS (THICKNESS X HEIGHT X LENGTH mm)	190 x 190 x 390
CORE VOLUME (% OVERALL THICKNESS)	>30
CHARACTERISTIC UNCONFINED COMPRESSIVE STRENGTH (MPa)	>15
MINIMUM FACE SHELL THICKNESS (mm)	30
AVERAGE BLOCK WEIGHT (kg)	15.0
AVERAGE NUMBER PER TONNE	66
NUMBER PER PALLET	90
NUMBER PER m ²	12.5
DURABILITY (TO AS4456.10 - Sodium Sulphate and Sodium Chloride)	General Purpose
WALL MASS INC. MORTAR HOLLOW (kg/m ²)	199
Characteristic Unconfined Compressive Strength (FUC)	

FIRE RESISTANCE LEVELS	
Structural Adequacy (see notes)	60 to 240
Integrity	60
Insulation	60
Notes: Maximum Slenderness ratio (Srf) of hollow masonry, from AS3700:2011, Table 6.1, is: 18.0 at 60 minutes 17.0 at 90 minutes 16.0 at 120 minutes 15.5 at 180 minutes 15.5 at 240 minutes	

This data represents average results from commercial production lots and is for general description purposes only. Figures are accurate at date of publication and subject to change without notice. Contact Austral Masonry for confirmation of product specification. December 2013.

AM-NSW-000916

*Manufactured to AS/NZS 4455.1: 2008. Tested as per AS/NZS 4456: 2003. Fire Resistance Levels as per AS3700:2011, derived from Fire Tests, BRANZ and Exova Warringtonfire Aus Pty Ltd, 2012. Acoustic opinion derived from Day Design Pty Ltd, 2012. Tested in accordance with AS 1191:2002 and AS/NZS 1276.1:1999.



RANGE	GB Honed
PRODUCT CODE	20-71
DESCRIPTION	190mm Honed Standard Half Height

TYPICAL PROPERTIES

NOMINAL DIMENSIONS (THICKNESS X HEIGHT X LENGTH mm)	200 x 100 x 400
ACTUAL DIMENSIONS (THICKNESS X HEIGHT X LENGTH mm)	190 x 90 x 390
CORE VOLUME (% OVERALL THICKNESS)	47
CHARACTERISTIC UNCONFINED COMPRESSIVE STRENGTH (MPa)	>15
MINIMUM FACE SHELL THICKNESS (mm)	30
AVERAGE BLOCK WEIGHT (kg)	8.0
AVERAGE NUMBER PER TONNE	125
NUMBER PER PALLET	180
NUMBER PER m ²	12.5
DURABILITY (TO AS4456.10 - Sodium Sulphate and Sodium Chloride)	General Purpose
WALL MASS INC. MORTAR HOLLOW (kg/m ²)	218
Characteristic Unconfined Compressive Strength (FUC)	

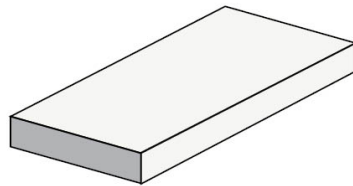
FIRE RESISTANCE LEVELS

Structural Adequacy (see notes)	60 to 240
Integrity	60
Insulation	60
Notes: Maximum Slenderness ratio (Srf) of hollow masonry, from AS3700:2011, Table 6.1, is: 18.0 at 60 minutes 17.0 at 90 minutes 16.0 at 120 minutes 15.5 at 180 minutes 15.5 at 240 minutes	

This data represents average results from commercial production lots and is for general description purposes only. Figures are accurate at date of publication and subject to change without notice. Contact Austral Masonry for confirmation of product specification. December 2013.

AM-NSW-000917

*Manufactured to AS/NZS 4455.1: 2008. Tested as per AS/NZS 4456: 2003. Fire Resistance Levels as per AS3700:2011, derived from Fire Tests, BRANZ and Exova Warringtonfire Aus Pty Ltd, 2012. Acoustic opinion derived from Day Design Pty Ltd, 2012. Tested in accordance with AS 1191:2002 and AS/NZS 1276.1:1999.



RANGE	GB Honed
PRODUCT CODE	50-31
DESCRIPTION	

TYPICAL PROPERTIES	
NOMINAL DIMENSIONS (THICKNESS X HEIGHT X LENGTH mm)	190 x 40 x 390
ACTUAL DIMENSIONS (THICKNESS X HEIGHT X LENGTH mm)	190 x 40 x 390
CORE VOLUME (% OVERALL THICKNESS)	
CHARACTERISTIC UNCONFINED COMPRESSIVE STRENGTH (MPa)	
MINIMUM FACE SHELL THICKNESS (mm)	
AVERAGE BLOCK WEIGHT (kg)	6.1
AVERAGE NUMBER PER TONNE	163.9344262295082
NUMBER PER PALLET	288
NUMBER PER m ²	
DURABILITY (TO AS4456.10 - Sodium Sulphate and Sodium Chloride)	General Purpose
WALL MASS INC. MORTAR HOLLOW (kg/m ²)	
Characteristic Unconfined Compressive Strength (FUC)	

FIRE RESISTANCE LEVELS	
Structural Adequacy (see notes)	60 to 240
Integrity	60
Insulation	60
Notes: Maximum Slenderness ratio (Srf) of hollow masonry, from AS3700:2011, Table 6.1, is: 18.0 at 60 minutes 17.0 at 90 minutes 16.0 at 120 minutes 15.5 at 180 minutes 15.5 at 240 minutes	

This data represents average results from commercial production lots and is for general description purposes only. Figures are accurate at date of publication and subject to change without notice. Contact Austral Masonry for confirmation of product specification. December 2013.

AM-NSW-003784

*Manufactured to AS/NZS 4455.1: 2008. Tested as per AS/NZS 4456: 2003. Fire Resistance Levels as per AS3700:2011, derived from Fire Tests, BRANZ and Exova Warringtonfire Aus Pty Ltd, 2012. Acoustic opinion derived from Day Design Pty Ltd, 2012. Tested in accordance with AS 1191:2002 and AS/NZS 1276.1:1999.