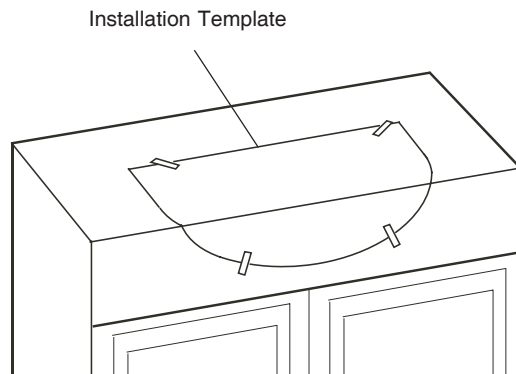


INSTALLATION

General

1. Make sure that the semi recessed basin is installed by a competent installer.
2. Before installation carefully inspect the new fixture for any signs of damage.

Install the Basin

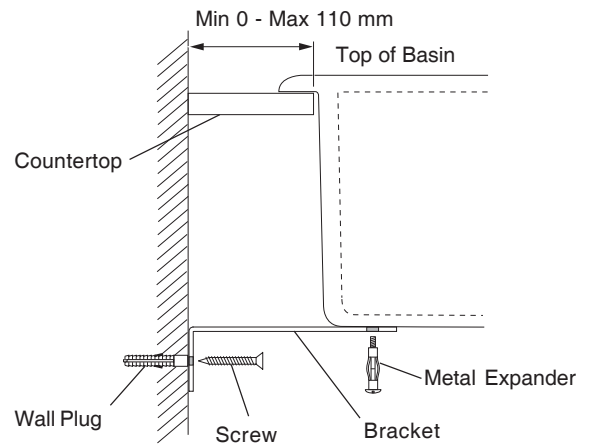


1. Secure the installation template to the counter and mark around the template with a pencil.
2. Cut a hole in the countertop or fascia as required
3. Coat the inside of the recess with a suitable varnish in accordance with the manufacturer's instructions.
4. Install the services.

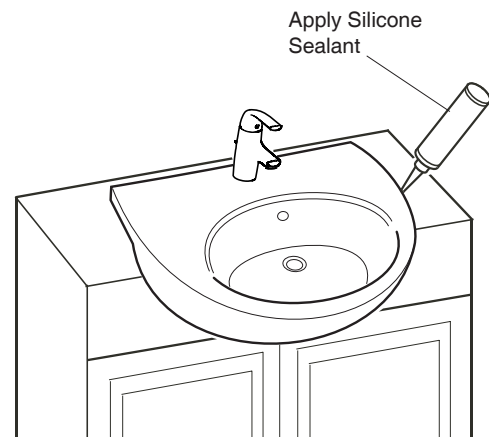
Install the Basin



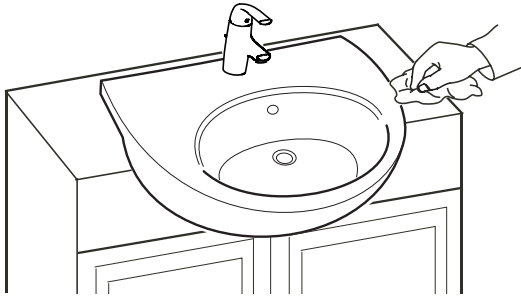
Secure the Basin



1. Hold the basin in position and mark the position of the brackets.
Remove the basin and drill the fixing holes with a suitable drill and fit the wall plugs.
Fit the brackets in position on the wall and secure the screws.
Fit the basin in position making sure that the holes in the bracket align with the holes in the bottom of the basin.
Install the metal expanders to secure the basin in position. Do not overtighten.



2. Apply a thin continuous bead of silicone sealant around the edges of the basin.
Caution! Make sure that you handle the basin with care. Vitreous china can break or chip if fittings are overtightened, or if the product is handled carelessly.
3. Tighten the nut to secure the basin in position.



SPARE PARTS

Part Number	Description
1068174	Fixing Kit

4. Remove any excess silicone sealant and fill any voids as required.
5. Allow the silicone sealant to cure for at least 30 minutes before proceeding with the installation.
6. Securely fix the cabinet into position.

Finish the Installation

1. Install the drain and trap in accordance with the manufacturer's instructions.
2. Connect the hot and cold water supplies.
3. Ensure that all the connections are tight.
4. Turn on the water supply and check for any leaks.

CONTACT AND WARRANTY INFORMATION

For warranty information, please visit our website

Australia

www.au.kohler.com

New Zealand

www.kohler.co.nz

KOHLER®

CALL US FOR HELP

NEW ZEALAND
KOHLER NZ LTD

Free Ph: 0800 564 537 (0800 KOHLER)
Free Fax: 0800 664 488
www.kohler.co.nz

AUSTRALIA
KOHLER CO.

Free Ph: 1 300 362 284
Free Fax: 1 300 652 284
www.au.kohler.com