

Product

- Escale drop-in BubbleMassage™ bath

AU Code

118726

NZ Code

610761

Kohler Code

11343A-GAB-0



Included Components

- 40mm chrome pop-up waste and overflow
- 1.5m flexible hose for connection to blower
- Detached heated air blower - air switch operation
- Adjustable feet
- Escale bath pillow in white

Features

- Drop-in acrylic bath (fully reinforced)
- Multiple air holes releasing tiny bubbles
- Tapware deck
- Bath pillow

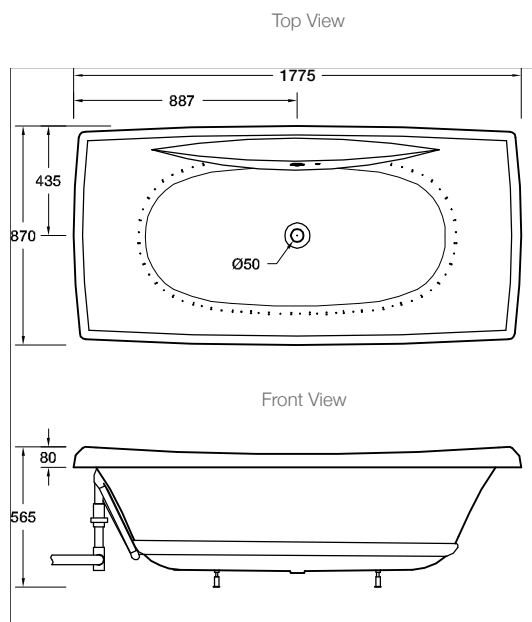
Optional Accessories

- Tapware (page 6.0.1)

Related Products

- Escale basins (page 1.0.1)
- Escale toilets (page 2.0.1)
- Escale baths (page 3.0.1)

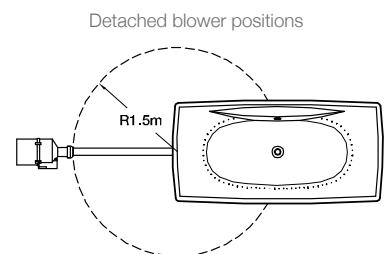
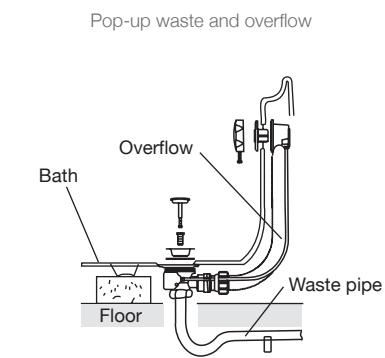
Technical Details



External Measurements
L 1775 x W 870 x D 565

Internal Measurements
Seating Width: 430mm
Base Length: 1200mm
Depth: 340mm

Full Capacity 180L
Dry Weight 40kg



Installation Notes:

- Requires a 220-250V, 10A, 50Hz dedicated service on an ELCB or RCD protected circuit.
- Floor must provide support for a minimum of 400kg and must be level.
- Detached blower (supplied) allows for multiple installation positions and helps to keep blower noise to a minimum.
- A non return valve allows blower to be installed at any height.