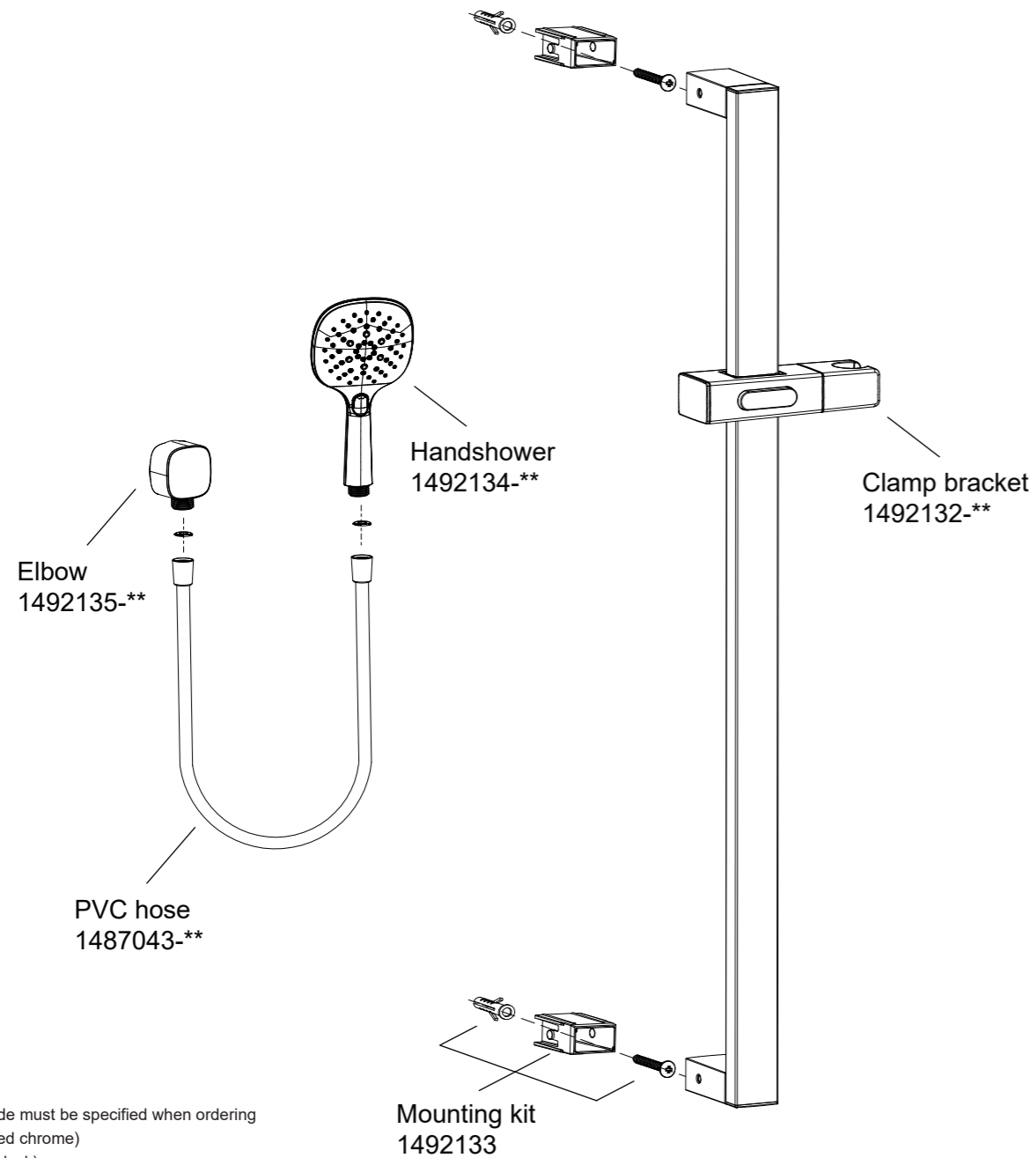


SPARE PARTS LIST



CONTACT AND WARRANTY INFORMATION

NEW ZEALAND
KOHLER NZ LTD

Free Ph: 0800 100 382
 Free Fax: 0800 664 488
 www.Englefield.co.nz

AUSTRALIA
KOHLER AUSTRALIA

Free Ph: 1 800 ENGLEFIELD
 (1 800 364 533)
 www.Englefield.com

Englefield
 A KOHLER Company

For warranty information, please visit our website

INSTALLATION
INSTRUCTIONS

Englefield
 A KOHLER Company

TAPWARE

MILANO SLIDE SHOWER 29438A

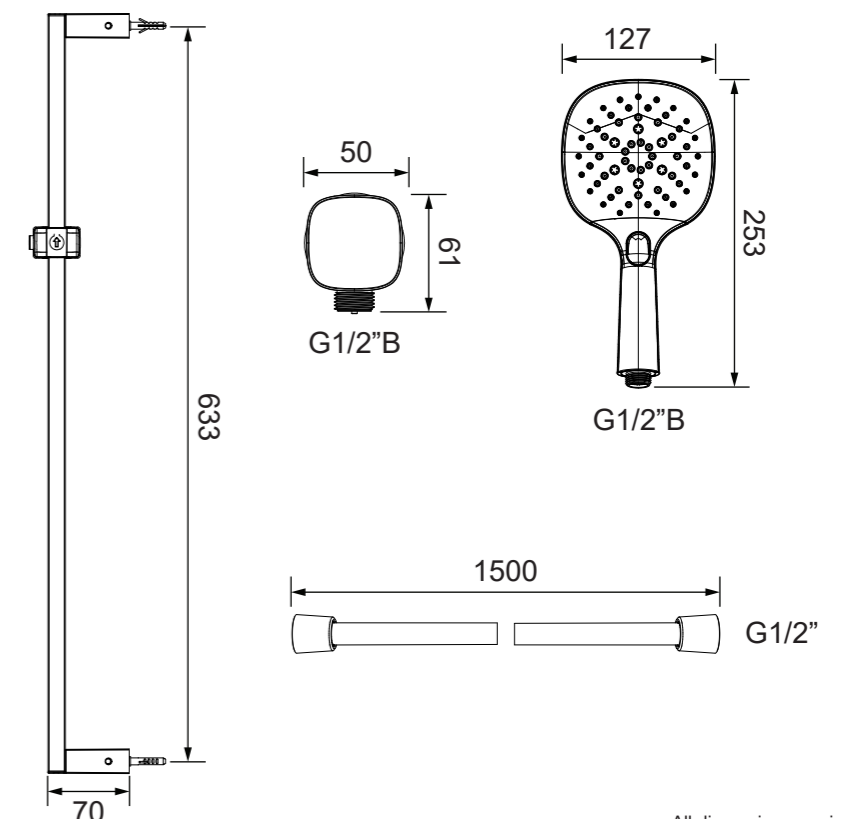


BEFORE YOU BEGIN

All information is based on the latest product information available at the time of publication. Englefield reserves the right to make changes in product features, packaging, or availability at any time without notice.

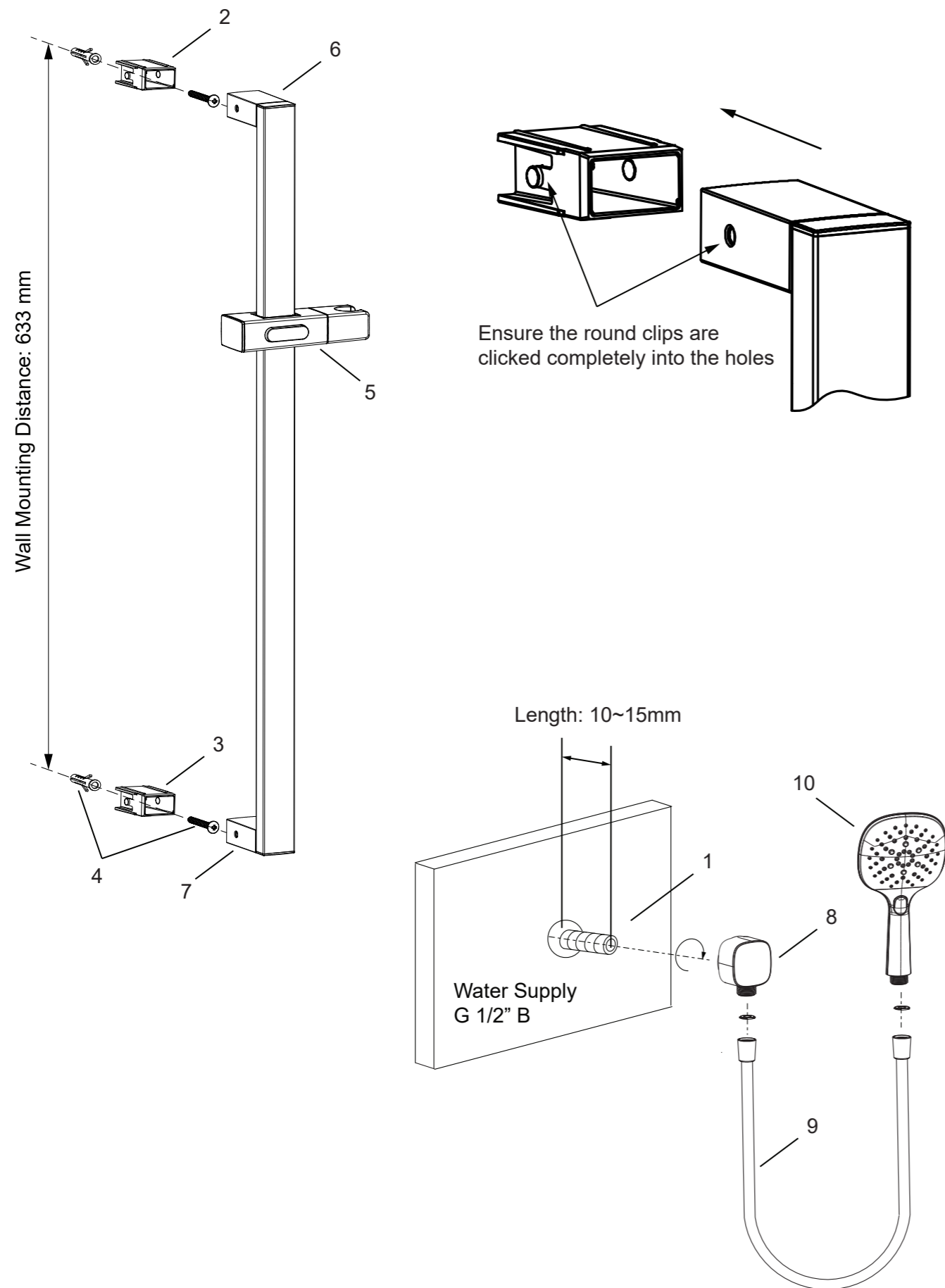
1. Flush the water supply pipes thoroughly to remove debris.
2. An in-line filter must be used with this product.
3. The highest working pressure for the hand shower and the overhead shower is 500kPa. If it exceeds 500kPa, a pressure limiting valve must be installed.
4. The operating temperature of hand shower and the overhead shower is from 10°C to 70°C. NZ building code G12 requires that maximum hot water temperature at any sanitary fixture used for personal hygiene shall not exceed 55°C. If so, a tempering valve must be installed.
5. This shower is intended for equal mains pressure installations. It may not be suitable for use with gravity-fed water heaters, low and unequal pressure supplies.
6. All installations should comply with local plumbing codes and the relevant requirements of AS/NZS 3500 and AS/NZS 6400.

ROUGH-IN DIMENSIONS



All dimensions are in millimetres.

INSTALLATION



INSTALLATION - CONTINUED

1. Select a location on a vertical wall to install slide rail according to rough-in dimensions.
Note: It is recommended that the slide rail is fixed to timber studs or nogs in the wall.
2. Install a G1/2" B water supply nipple (1) (not supplied), ensure the distance from the end of nipple to the finished wall is between 10mm and 15mm.
3. Fix top & bottom base (2&3) to the wall with supplied screw set (4).
4. Move the hand shower bracket (5) to the centre of the slide rail.
5. Mount the slide rail to the top & bottom base (2&3). Ensure the those two round clips on the base are clicked completely into the holes in the mounting bracket (6&7).
6. Apply thread tape to the water supply nipple.
7. Fit the O-ring into groove at the back of elbow (8) and then screw the nipple onto the water supply nipple clockwise until the back surface of the elbow touches the wall. Ensure the outlet of the elbow faces down.
8. Connect the shower hose (9) to both elbow and handshower (10).

CLEANING INSTRUCTIONS

Clean all finishes with mild soap and warm water. Wipe entire surface completely dry with a clean soft cloth. Many cleaners may contain such chemicals as ammonia, chlorine, toilet chemicals etc, which could adversely affect the finish and are not recommended for cleaning.

Do not use abrasive cleaners or solvents on Englefield fittings.