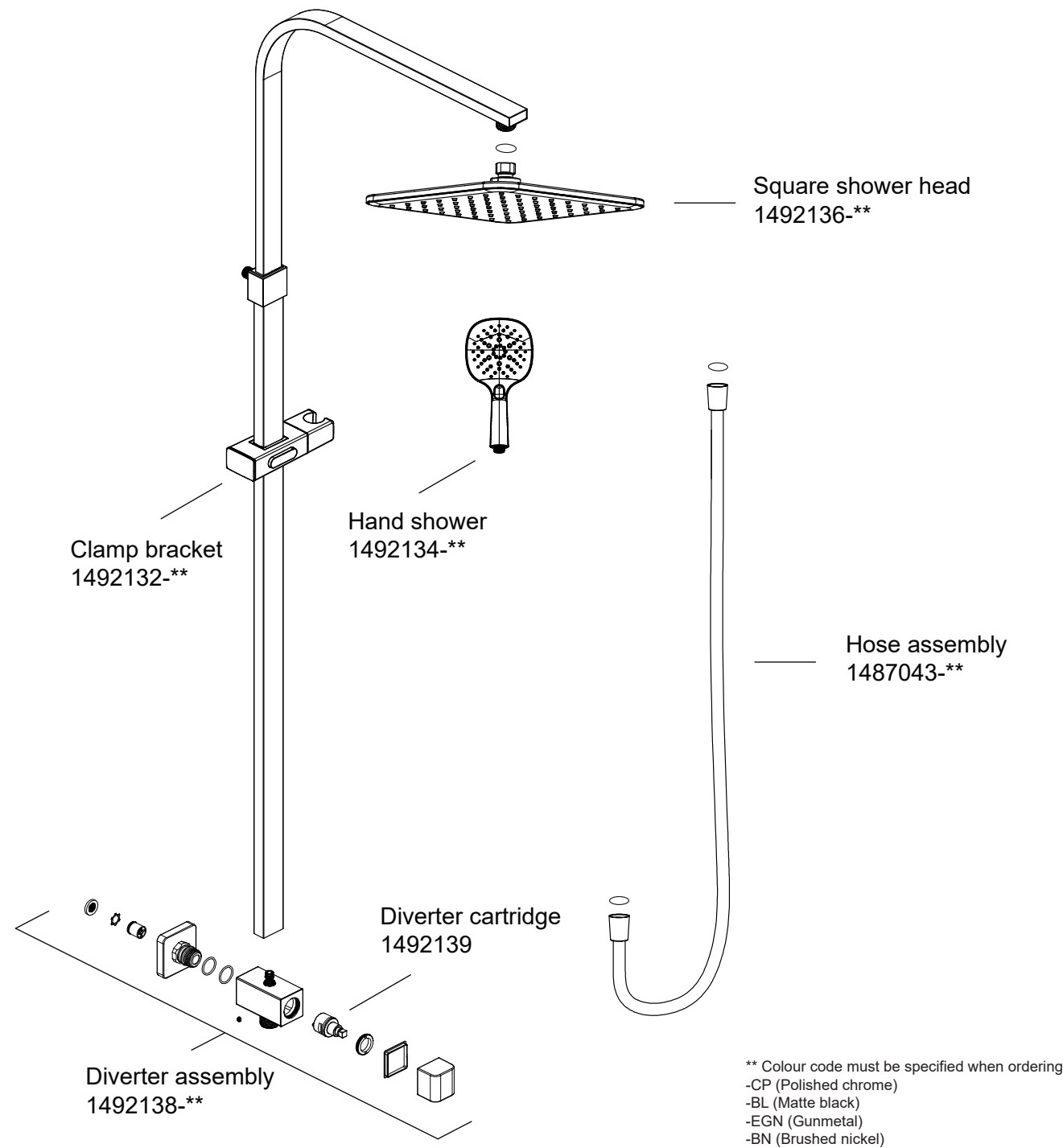


SPARE PARTS LIST



CONTACT AND WARRANTY INFORMATION

**NEW ZEALAND**  
 KOHLER NZ LTD

Free Ph: 0800 100 382  
 Free Fax: 0800 664 488  
 www.Englefield.co.nz

**AUSTRALIA**  
 KOHLER AUSTRALIA

Free Ph: 1 800 ENGLEFIELD  
 (1 800 364 533)  
 www.Englefield.com



For warranty information, please visit our website

INSTALLATION INSTRUCTIONS



TAPWARE

MILANO DUAL RAIN SHOWER

29439A

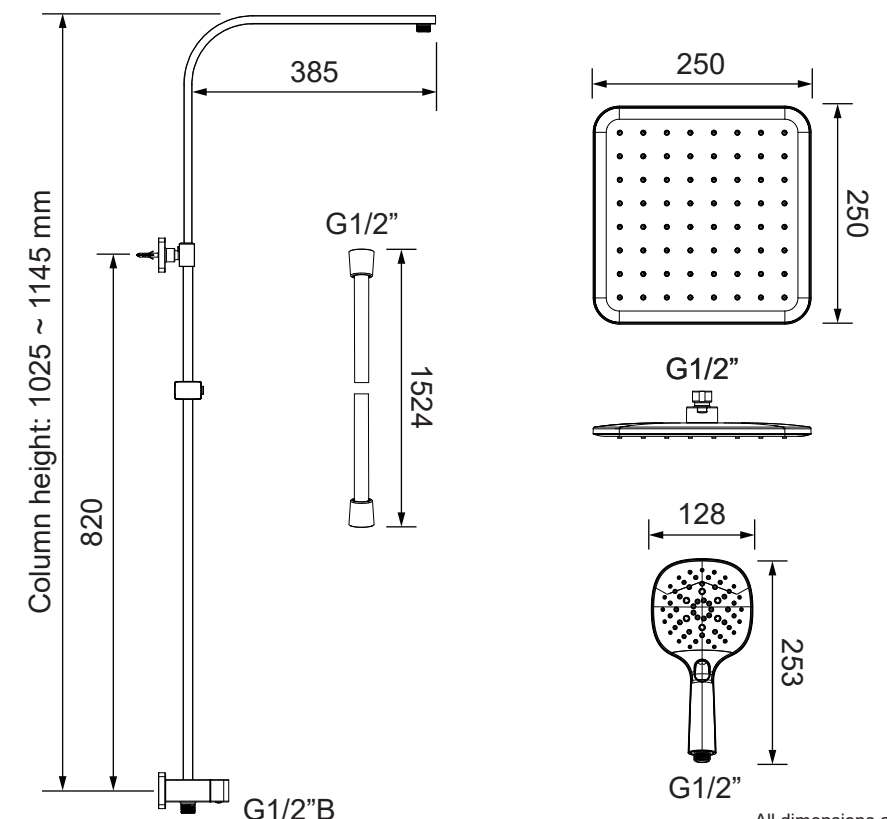


BEFORE YOU BEGIN

All information is based on the latest product information available at the time of publication. Englefield reserves the right to make changes in product features, packaging, or availability at any time without notice.

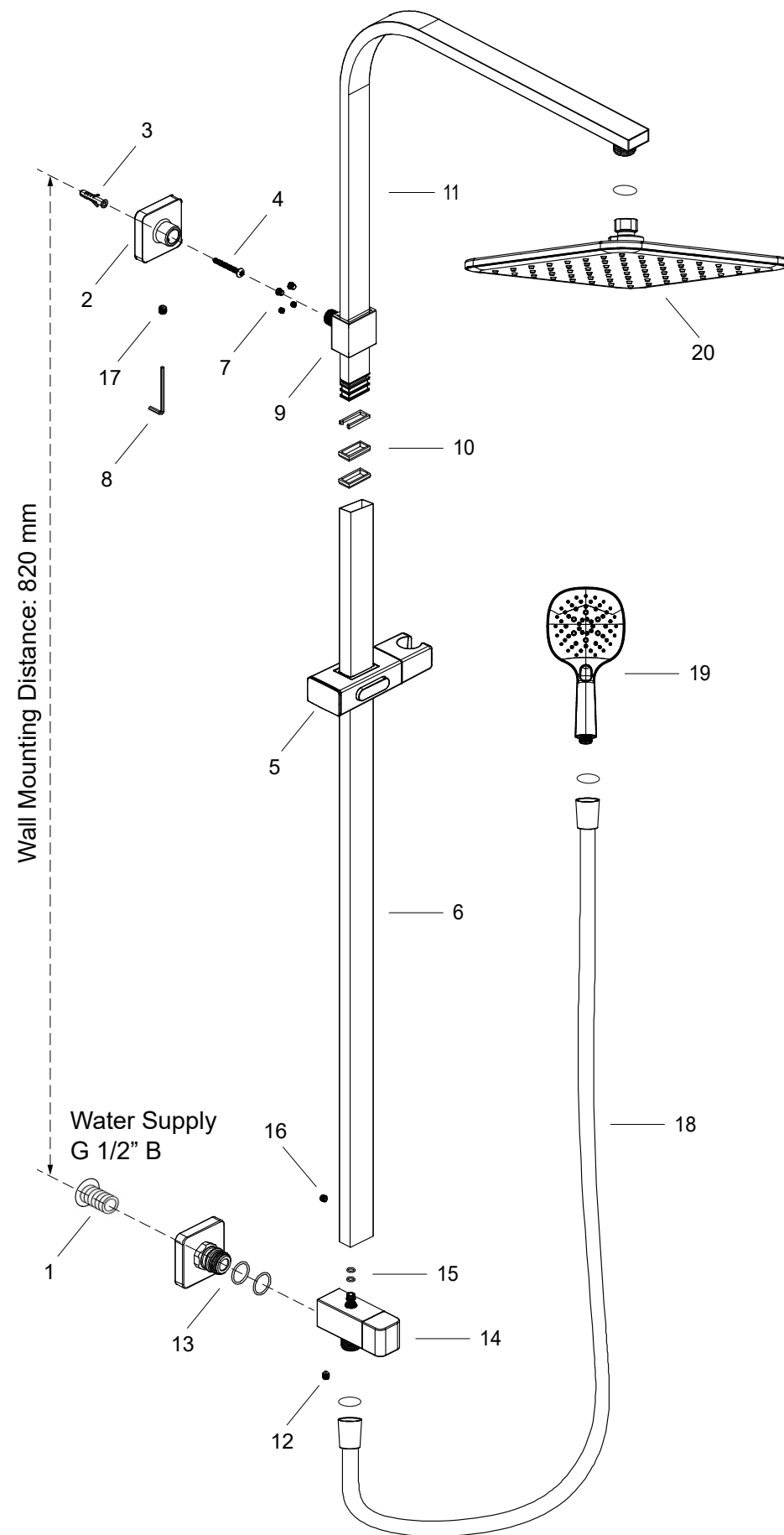
1. Flush the water supply pipes thoroughly to remove debris.
2. An in-line filter must be used with this product.
3. The highest working pressure for the hand shower and the overhead shower is 500kPa. If it exceeds 500kPa, a pressure limiting valve must be installed.
4. The operating temperature of hand shower and the overhead shower is from 10°C to 70°C. NZ building code G12 requires that maximum hot water temperature at any sanitary fixture used for personal hygiene shall not exceed 55°C. If so, a tempering valve must be installed.
5. This shower is intended for equal mains pressure installations. It may not be suitable for use with gravity-fed water heaters, low and unequal pressure supplies.
6. All installations should comply with local plumbing codes and the relevant requirements of AS/NZS 3500 and AS/NZS 6400.

ROUGH-IN DIMENSIONS



All dimensions are in millimetres.

## INSTALLATION



## INSTALLATION - CONTINUED

1. Select a location on a vertical wall to install shower column according to rough-in dimensions.  
**Note: The shower column must be fixed to timber studs or nogs in the wall.**
2. Install a G1/2" B water supply nipple (1) (not supplied), ensure the supply nipple and fixing hole are aligned vertically, and is 820mm below the top wall fixing hole.  
**Note : Distance from the end of nipple to the finished wall should not exceed 15mm to avoid to damage the flow regulator in the diverter.**
3. Fix top mounting bracket (2) to the wall by screw set (3 & 4). Align slot in the top mounting bracket vertically.
4. Slide the clamp bracket (5) onto the lower tube (6) and adjust it to the centre of the lower tube.
5. Loosen those four grub screws (7) at the back of coupler (9) with supplied hex key (8).
6. Slide the coupler up to the middle of top tube (11).
7. Lubricate the rubber seals (10) and insert the top tube into the lower tube.  
**Note: Adjust the column height based on rough-in dimensions.**
8. Slide the coupler down and tighten those four grub screws (7) to secure the top & lower tube together.
9. Remove the grub screw (12) and pull inlet bracket (13) out of diverter (14).
10. Apply thread tape or sealant onto the water supply nipple (1) and then screw the inlet bracket firmly up to the wall.
11. Lubricate the rubber O-rings (15) and connect the diverter to the lower tube and fasten them together with grub screw (16).
12. Fix the shower column to the top mounting bracket and to the inlet bracket with the grub screw (12 & 17).
13. Connect shower hose (18) to the outlet of diverter and to hand shower (19).
14. Mount overhead shower (20) to the top tube.

## CLEANING INSTRUCTIONS

Clean all finishes with mild soap and warm water. Wipe entire surface completely dry with a clean soft cloth. Many cleaners may contain such chemicals as ammonia, chlorine, toilet chemicals etc, which could adversely affect the finish and are not recommended for cleaning.

**Do not use abrasive cleaners or solvents on Englefield fittings.**