

RAPTOR[®]

RIGID RAIL SYSTEM - ROPE ACCESS

SAYFA[®]
PROTECT

1300 301 755
SAYFA.COM.AU

EFFORTLESS MOBILITY FOR
MULTIPLE OPERATORS TO ACCESS
FACADES, ATRIUMS & CEILINGS
FOR MAINTENANCE

PRODUCT
BROCHURE



RAPTOR® RIGID RAIL SYSTEM - ROPE ACCESS

Sayfa Group leads the industry in the design, installation and management of access & fall protection safety systems.

The In-Action model demonstrates access & fall protection requirements for a commercial building design.

Sayfa Group recommendations fulfill current workplace requirements for the safety of building maintenance subcontractors, employees and the general public.

#	DESCRIPTION
1	3 SIXTY Fall arrest anchors
2	TRAVEL 8 Roof or wall mount static lines
3	SENTRY Roof mount guardrails
4	ON-TRAK Roof walkways (yellow or grey)
5	PROTEX Skylight protectors
6	RAPTOR Abseil / Fall Arrest

#	DESCRIPTION
7	KATT Modular fixed ladders
8	VISTA Modular fold down ladders
9	KOMBI Stairs & platforms
10	ALTO Step ladders & bridges
11	SKYDORE Roof access hatches

For more information, please contact Sayfa Group directly.



RAPTOR TOUR



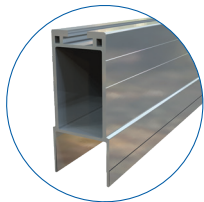
IT'S THE SAYFA WAY

MULTI OPERATOR RAIL SYSTEM PROVIDING EFFORTLESS LATERAL MOBILITY & EASE OF OPERATION

FEATURES & BENEFITS

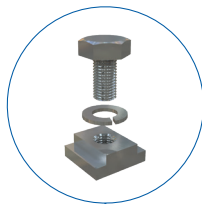
LONG SPAN SECTION

Spanning up to 6000mm using long span attachment.



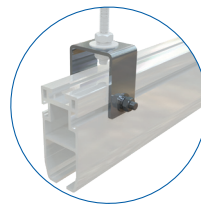
T-NUT MOUNT

Connects fixing brackets to rail system.



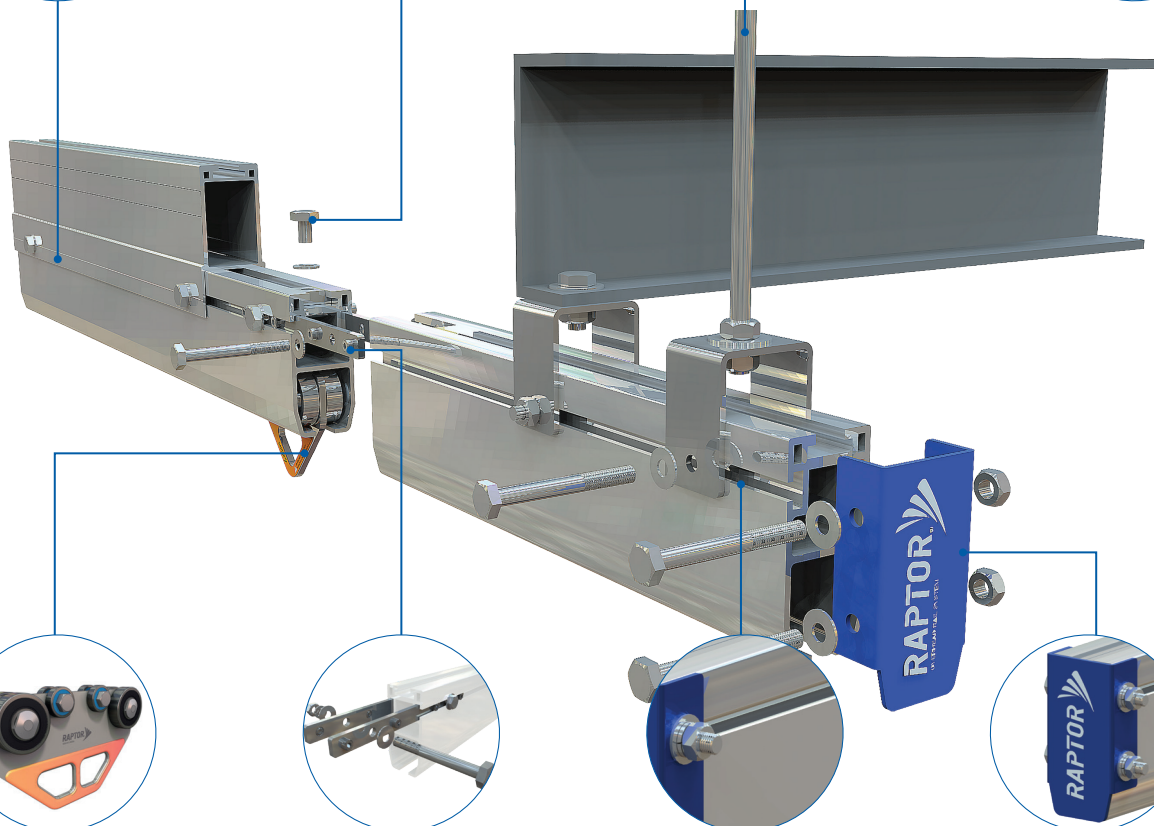
SUSPENSION BRACKET

Provides connection of rail to support structure suspension system.



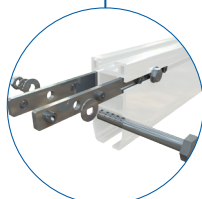
MULTI DIRECTION TROLLEY

Alternative to the standard trolley. This trolley can be loaded in two directions.



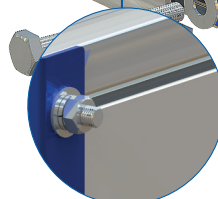
SEALED BEARING TROLLEY

Provides connection point for rope lines.



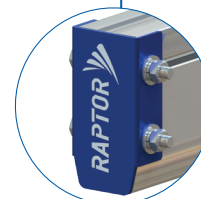
RAIL SPLICE JOINER KIT

Used to join multiple rail sections together.



MOUNTING SLOT

Provides adjustable positioning of mounting brackets.



END STOP

Provides the trolley termination point.

UNIQUE
PRODUCT FEATURE

ROPE ACCESS TROLLEY OPTIONS

FOR EFFORTLESS MOBILITY

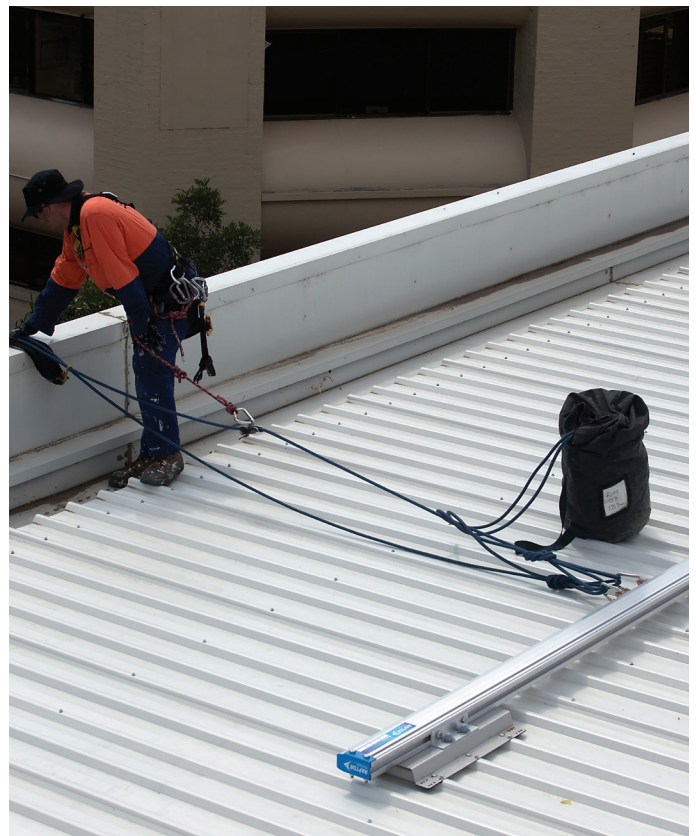
The robust sealed bearing trolley ensures effortless operator mobility when used as a rope access or fall arrest system. Lateral stabilising bearings allow the trolley to function normally when angled or side loading is required providing unlimited flexibility for positioning the rail to best suit the application and safety of the operator.

PATENTS AND DESIGN REGISTRATIONS APPLY



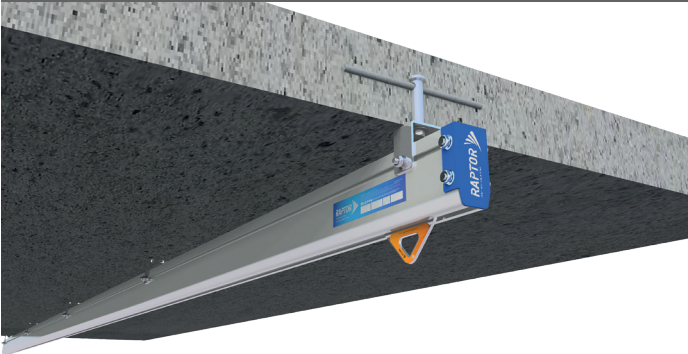
Portion of rail not shown for clarity

RAPTOR® RIGID RAIL IN ACTION

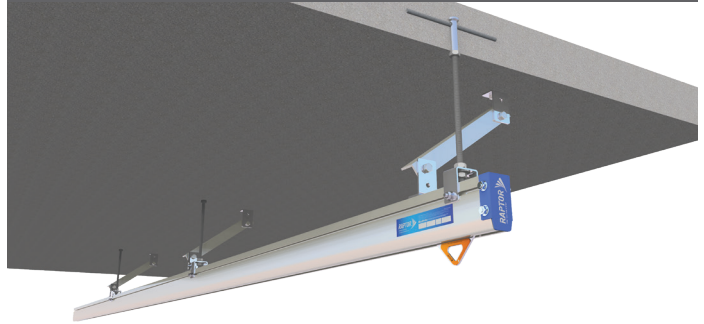


RAPTOR® OVERHEAD MOUNT (OH3/4/5)

FLUSH MOUNT OH3 - CONCRETE (CAST IN FERRULES)



SUSPENDED MOUNT OH4 - CONCRETE (CAST IN FERRULES)



SUSPENDED MOUNT OH5 - CONCRETE (RETRO FIT APPLICATIONS)



FLUSH MOUNT OH3 - STEEL



APPLICATION

Provides access to facades and windows where the rigid rail is best suited to attach to the soffit overhang. Typical applications would include multi-level buildings with deep set windows or protrusions limiting access from a traditional roof mounted system such as sunshades or facade protrusions.

Rigid rail access points will need to be provided allowing safe connection of the operator to the system at each level where a rail is provided. This could include operable windows or maintenance doors to access the rail system.

This system will allow free lateral mobility of the operator whilst attached to the system making maintenance safe and efficient.

SPECIFICATION CODE

- RAPTOR rigid rail overhead mount. Code: OH3/4/5

NUMBER OF USERS

- Up to 4 users per span (refer to span table)

STRUCTURE DESIGN LOAD

- Refer to span table.

AUSTRALIAN STANDARDS COMPLIANT

- AS/NZS 4488 - Industrial rope access system.
- AS/NZS 1891.2 - Horizontal lifelines and rail systems.
- AS/NZS 1891.4 - Industrial fall arrest systems and devices.

FEATURES & BENEFITS

- System can be used for fall protection and rope access.
- Due to rigid rail beam action, fixing to lighter gauge structures can be achieved.
- Provides effortless mobility for operators using the system in a fall protection and rope access situation.
- Suited for multiple operator use simultaneously.
- Rail system can be curved to suit building design.

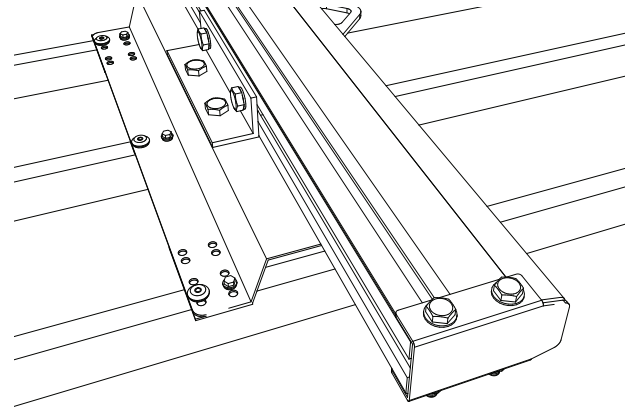
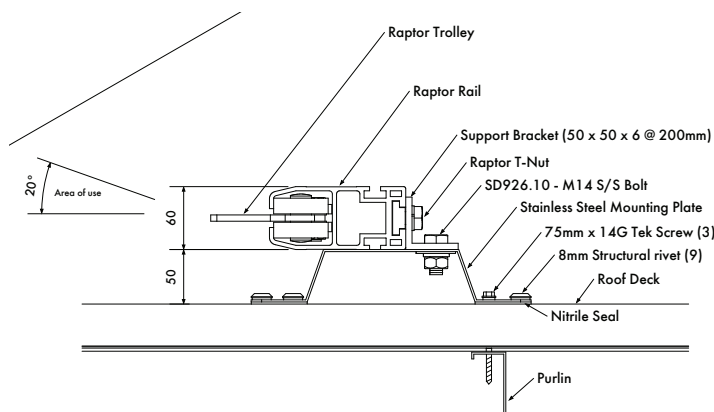
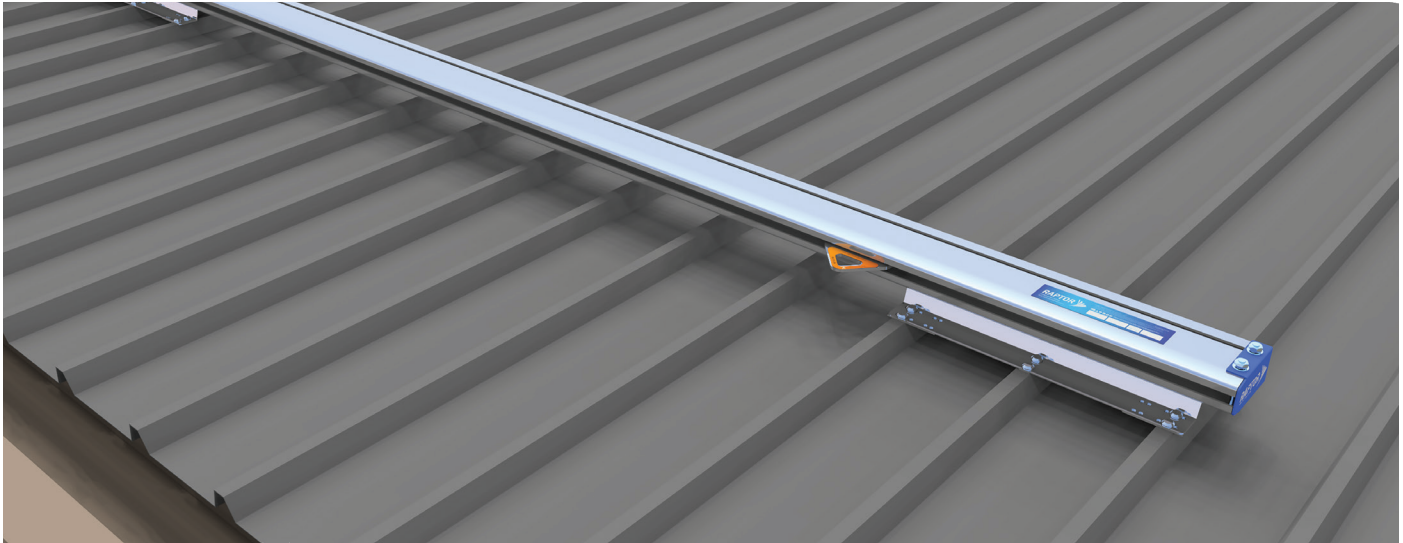
LIMITATIONS

- Safe access must be provided for the operator when accessing the system.
- Minimum curve radius is 1.0m.
- Concrete anchors in tension need to be cast in or undercut to ensure no possibility of pull out.

MAINTENANCE

- This system will require maintenance and recertification every 12 months in accordance with manufacturer's instructions and Australian Standards.
- Any concrete friction fit or glued in anchor will require periodic load testing in accordance with manufacturer's instructions and Australian Standards.

RAPTOR® METAL DECK MOUNT (OH6)



APPLICATION

Provides safe access to and over building edges for access to gutters and building facade. Suited to metal roof deck applications with steel purlin supporting structure.

SPECIFICATION CODE

- RAPTOR rigid rail - metal deck. Code OH6

NUMBER OF USERS

- Up to 4 users per span (refer to span table)

STRUCTURE DESIGN LOAD

- Refer to span table.

AUSTRALIAN STANDARDS COMPLIANT

- AS/NZS 4488 - Industrial rope access system.
- AS/NZS 1891.2 - Horizontal lifelines and rail systems.
- AS/NZS 1891.4 - Industrial fall arrest systems and devices.

FEATURES & BENEFITS

- System can be used for fall protection to roof edges for maintenance, as well as facade access the same system.
- Due to rigid rail beam action, fixing to lighter gauge structures can be achieved.
- Provides effortless mobility for operators using the system in fall arrest applications.
- Suited for multiple operator use simultaneously.

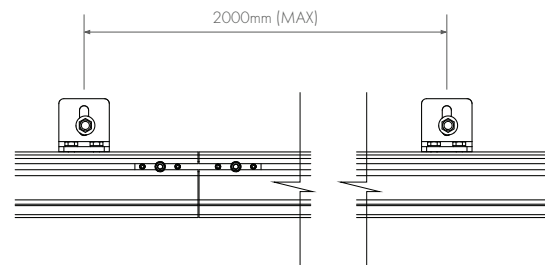
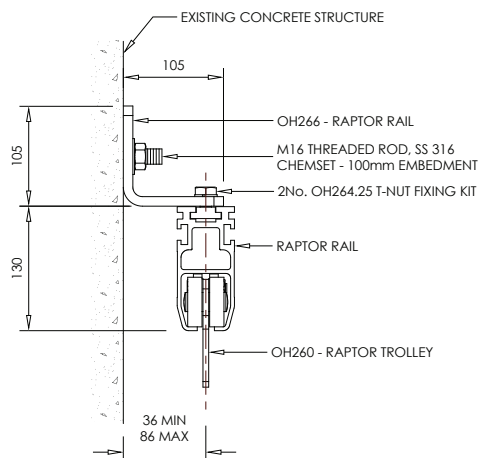
LIMITATIONS

- Rail system mounted within 3.0m of a fall edge will require suitable fall protection for operator whilst attaching to the system.
- Angle of rope line not to exceed 20° as this will cause excessive tensile loading to the roof structure.
- For rope access use, roof edge or parapet design to withstand 12kN ultimate load or use of a proprietary edge protection device.

MAINTENANCE

- This system will require inspection and recertification 12 monthly in accordance with manufacturer's instructions and Australian Standards.

RAPTOR® SIDE MOUNT (OH7)



APPLICATION

Provides facade access directly below rail or over the parapet using the multi direction trolley (OH261M). Parapet will need to be designed to withstand a 12 kN load as required for rope access use.

SPECIFICATION CODE

- RAPTOR rigid rail - side mount. Code: OH7

NUMBER OF USERS

- Up to 4 users per span (refer to span table)

STRUCTURE DESIGN LOAD

- Refer to span table.

AUSTRALIAN STANDARDS COMPLIANT

- AS/NZS 4488 - Industrial rope access system.
- AS/NZS 1891.2 - Horizontal lifelines and rail systems.
- AS/NZS 1891.4 - Industrial fall arrest systems and devices.

FEATURES & BENEFITS

- Due to rigid rail beam action, fixing to lighter gauge structures can be achieved.
- Complete flexibility in rope positioning allowing accurate drop zone positioning.
- Suitable for multiple operator use simultaneously.
- Allows easy and safe attachment of rope access system rigging.
- System can be curved to suit building design.

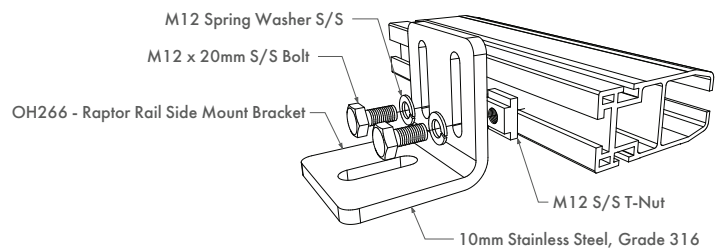
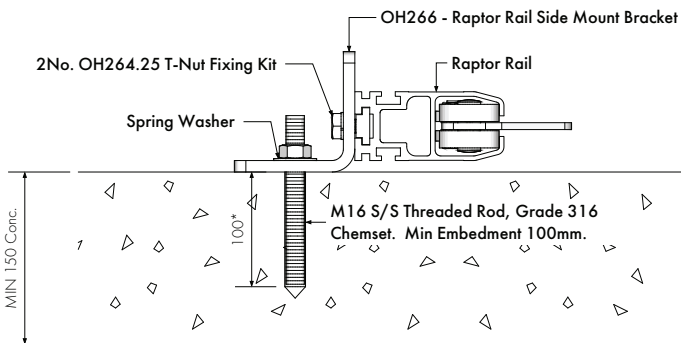
LIMITATIONS

- Parapets above 1200mm will require suitable access ladder system for safe access over parapet.
- Parapet design to withstand 12kN ultimate load.
- Minimum rail curve radius is 1.0m.

MAINTENANCE

- This system will require maintenance and recertification every 12 months in accordance with manufacturer's instructions and Australian Standards.
- All concrete friction fit or chemical fix anchors will require periodic load testing in accordance with manufacturer's instructions and Australian Standards.

RAPTOR® FLOOR MOUNT (OH7)



APPLICATION

Provides safe access to and over building edges for access to gutters and building facade. Suited to concrete decks and aprons in multilevel applications.

SPECIFICATION CODE

- RAPTOR rigid rail - floor mount. Code: OH7

NUMBER OF USERS

- Up to 4 users per span (refer to span table)

STRUCTURE DESIGN LOAD

- Refer to span table.

AUSTRALIAN STANDARDS COMPLIANT

- AS/NZS 4488 - Industrial rope access system.
- AS/NZS 1891.2 - Horizontal lifelines and rail systems.
- AS/NZS 1891.4 - Industrial fall arrest systems and devices.

FEATURES & BENEFITS

- This system can be used for fall protection to roof edges for maintenance, as well as facade access off the same system.
- Due to rigid rail beam action, fixing to structure only required at 3000mm spacings.
- Provides effortless mobility for operators using the system in a fall arrest application.
- Suited for multiple operator use simultaneously.

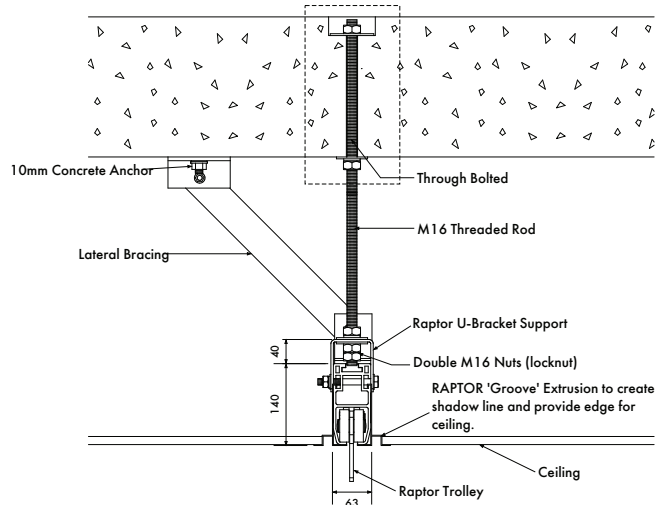
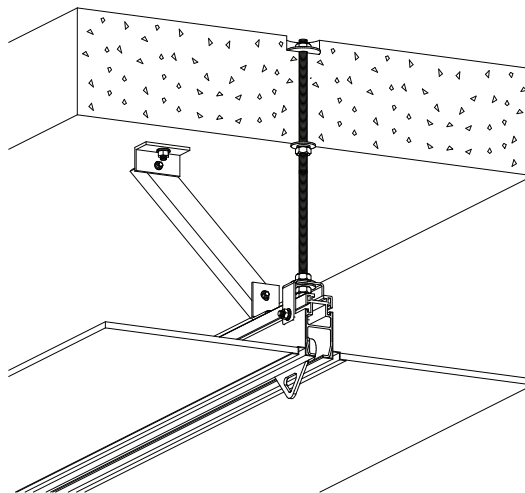
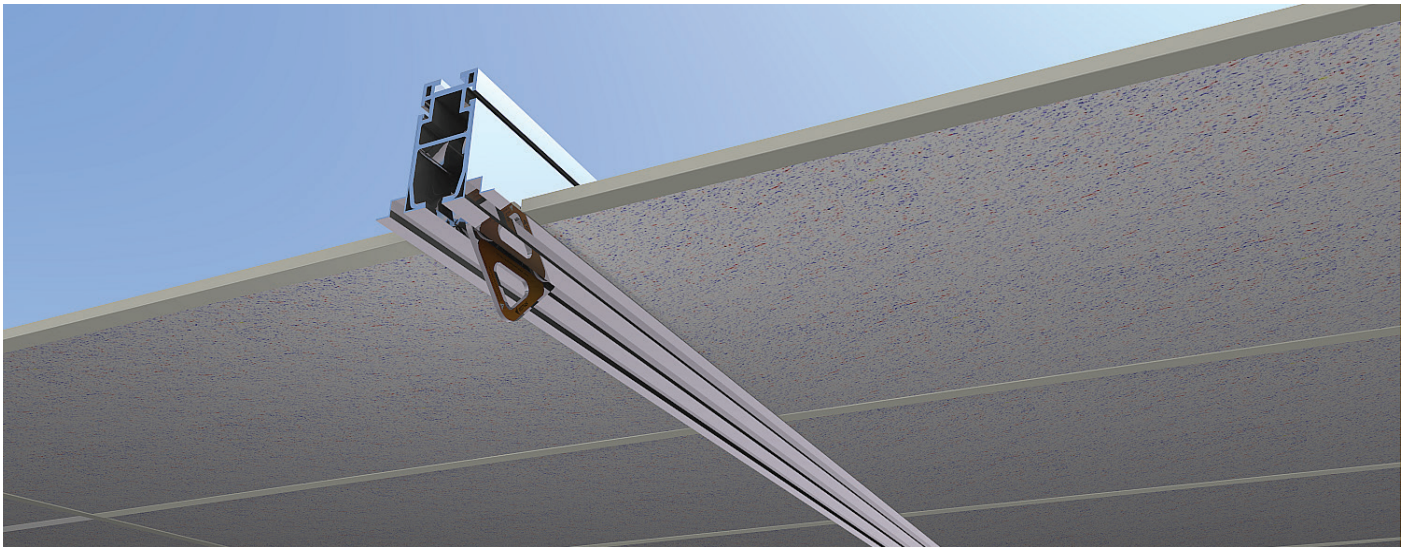
LIMITATIONS

- Rail system mounted within 3.0m of a fall edge will require suitable fall protection for operator whilst attaching to the system.
- If angle of rope line exceeds 20°, support centres not to exceed 2.0m.
- For rope access use, roof edge or parapet design to withstand 12kN ultimate load or use of a proprietary edge protection device.

MAINTENANCE

- This system will require inspection and recertification 12 monthly in accordance with manufacturer's instructions and Australian Standards.
- All concrete friction fit or chemical fix anchors will require periodic load testing in accordance with manufacturer's instructions and Australian Standards.

RAPTOR® GROOVE CEILING MOUNT



APPLICATION

The RAPTOR ceiling mount system is designed to be used in atrium and ceiling application where access to lighting, CCTV and other ceiling mounted equipment is required using rope access. The RAPTOR GROOVE flush mount ceiling system provides a concealed, architectural shadow line effect giving a neat and contemporary appearance.

The RAPTOR concealed ceiling system allows free manoeuvrability of the operator whilst attached to the system, allowing safe and efficient access for maintenance purposes.

SPECIFICATION CODE

- RAPTOR GROOVE concealed ceiling mount. Code: OH259

NUMBER OF USERS

- Up to 4 users per span (refer to span table)

STRUCTURE DESIGN LOAD

- Refer to span table.

AUSTRALIAN STANDARDS COMPLIANT

- AS/NZS 4488 - Industrial rope access system.
- AS/NZS 1891.2 - Horizontal lifelines and rail systems.
- AS/NZS 1891.4 - Industrial fall arrest systems and devices.

FEATURES & BENEFITS

- Concealed flush mount design provides contemporary appearance.
- Provides effortless mobility for operators using the system in a fall protection and rope access situation.
- Suited for multiple operator use simultaneously.
- Rail system can be curved to suit building design.

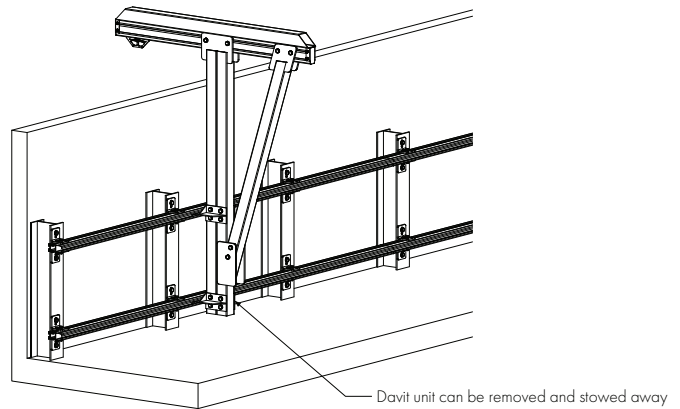
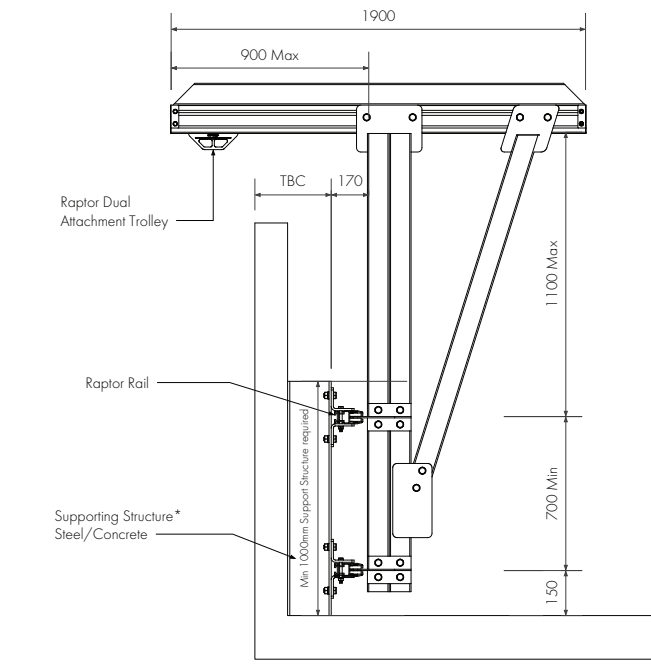
LIMITATIONS

- Safe access of the operator whilst connected to the system will be required at each rail system.
- Inspection hatches must be provided for inspection/recertification purposes.
- Rail suspension supports required every 2 metres.
- Minimum rail curve radius is 1.0m. Concrete anchors need to be cast in, undercut or through-bolt to ensure no possibility of pull out.

MAINTENANCE

- This system will require maintenance and recertification every 12 months in accordance with manufacturer's instructions and Australian Standards.
- All concrete friction fit or chemical fix anchors will require periodic load testing in accordance with manufacturer's instructions and Australian Standards.

RAPTOR® WALL MOUNT DAVIT (OH9)



APPLICATION

The mobile davit arm system provides access over non-load bearing facade structures such as glass or lightweight curtain walls. This system provides complete manoeuvrability of the drop zone rope positioning.

This configuration is particularly suited to high parapet facade construction above 1200mm where multiple drop zone locations are required for maintenance of facade area.

SPECIFICATION CODE

- RAPTOR wall mount davit. Code: OH29

NUMBER OF USERS

- Single user per davit system.
- Multiple davits can be used as required.

STRUCTURE DESIGN LOAD

- Specific engineering required depending on davit configuration.

AUSTRALIAN STANDARDS COMPLIANT

- AS/NZS 4488 - Industrial rope access system.
- AS/NZS 1891.2 - Horizontal lifelines and rail systems.
- AS/NZS 1891.4 - Industrial fall arrest systems and devices.

FEATURES & BENEFITS

- No visible rail maintenance system. Ideally suited to architecturally sensitive facade construction.
- Provides total flexibility in positioning of rigging to suit the facade drop zone.
- Multiple davits can be attached to the parapet wall rail system depending on number of users required.

LIMITATIONS

- Minimum parapet height - 900mm
- Davit support structure is not suited to lightweight parapet construction.

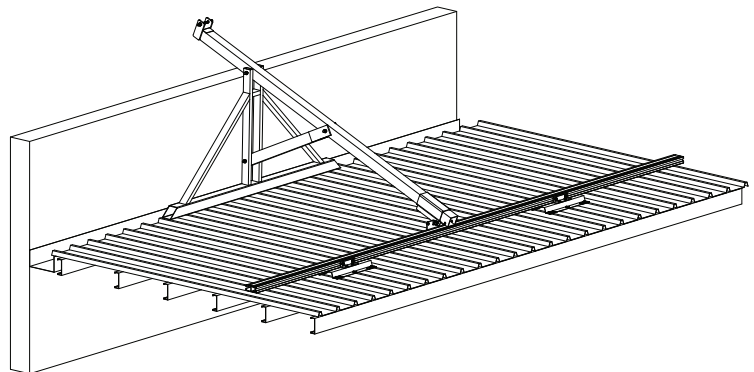
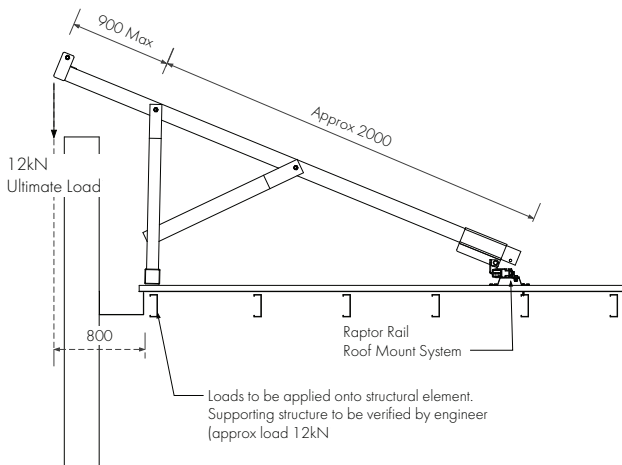
MAINTENANCE

- This system will require maintenance and recertification every 12 months in accordance with manufacturer's instructions and Australian Standards.
- All concrete friction fit or chemical fix anchors will require periodic load testing in accordance with manufacturer's instructions and Australian Standards.

PLEASE NOTE

THIS PRODUCT IS STILL IN DEVELOPMENT. LIMITED DESIGN AND COSTINGS ARE AVAILABLE. CONTACT SAYFA TO DISCUSS YOUR REQUIREMENTS.

RAPTOR® ROOF MOUNT DAVIT (OH10)



APPLICATION

The mobile davit arm system provides access over non load bearing structures such as glass or lightweight curtain walls. This system provides complete flexibility of the drop zone rope positioning.

This configuration is particularly suited to high non load bearing parapet facade construction above 1200mm where multiple drop zone locations are required for maintenance of facade area below.

SPECIFICATION CODE

- RAPTOR roof mount davit. Code: OH10

NUMBER OF USERS

- Single user per davit system.
- Multiple davits can be used as required.

STRUCTURE DESIGN LOAD

- Refer to span table.

AUSTRALIAN STANDARDS COMPLIANT

- AS/NZS 4488 - Industrial rope access system.
- AS/NZS 1891.2 - Horizontal lifelines and rail systems.
- AS/NZS 1891.4 - Industrial fall arrest systems and devices.

FEATURES & BENEFITS

- No visible rail maintenance system. Ideally suited to architecturally sensitive facade construction.
- Provides total flexibility in positioning of rigging to suit facade drop zone.
- Multiple davits can be attached to the system depending on number of users required.
- Well suited to non load bearing curtain wall designs.

LIMITATIONS

- Maximum parapet height - 1400mm.
- Minimum davit footprint applies.

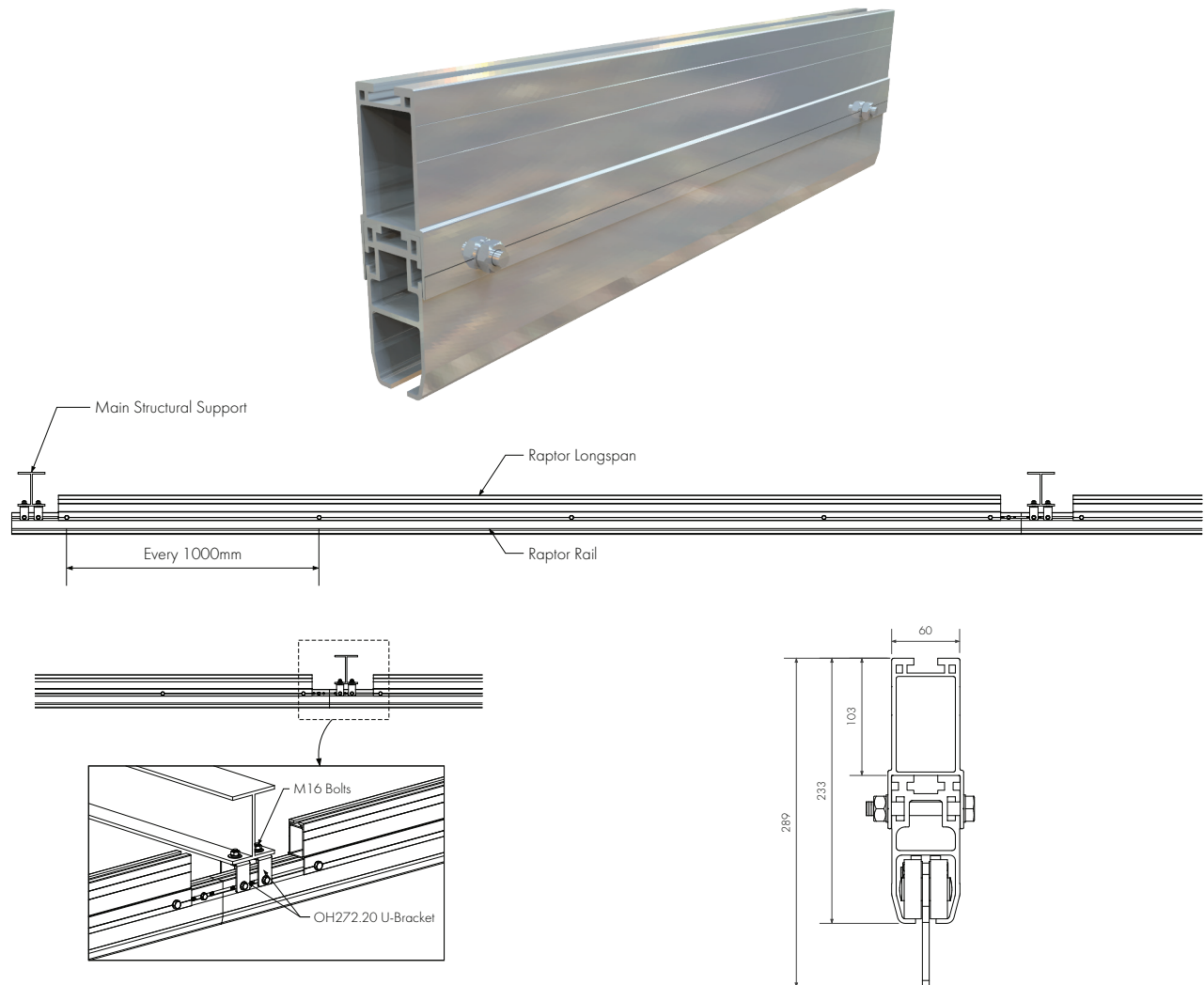
MAINTENANCE

- This system will require maintenance and recertification every 12 months in accordance with manufacturer's instructions and Australian Standards.

PLEASE NOTE

THIS PRODUCT IS STILL IN DEVELOPMENT. LIMITED DESIGN AND COSTINGS ARE AVAILABLE. CONTACT SAYFA TO DISCUSS YOUR REQUIREMENTS.

RAPTOR® LONG SPAN SYSTEM



APPLICATION

The proprietary design dynamics of the RAPTOR longspan system provides spans of up to 6000mm, ideal for situations which have limited supporting structure. Due to the rigid beam effect of the RAPTOR rail, any increased loading as in the case of a fall arrest, the load is spread evenly to the surrounding support structure minimising the possibility of any damage to the system or structure.

It is important that the longspan section is connected to the RAPTOR rigid rail as specified by the manufacturer.

SPECIFICATION CODE

- RAPTOR longspan rigid rail. Code: OH257

NUMBER OF USERS

- Up to 4 users per span (refer to span table)

STRUCTURE DESIGN LOAD

- Refer to span table.

AUSTRALIAN STANDARDS COMPLIANT

- AS/NZS 4488 - Industrial rope access system.
- AS/NZS 1891.2 - Horizontal lifelines and rail systems.
- AS/NZS 1891.4 - Industrial fall arrest systems and devices

FEATURES & BENEFITS

- Allows increased spans in applications where connection to structure is limited.
- Provides improved spread load performance when connected to lighter gauge structures.
- Allows total flexibility in movement of operator.
- Allows for up to 4 users simultaneously.
- Can be curved to suit building design.

LIMITATIONS

- Safe access must be provided for the operator when accessing the system.
- Minimum curve radius is 1.0m.
- Concrete anchors in tension need to be cast in or undercut to ensure no possibility of pull out.

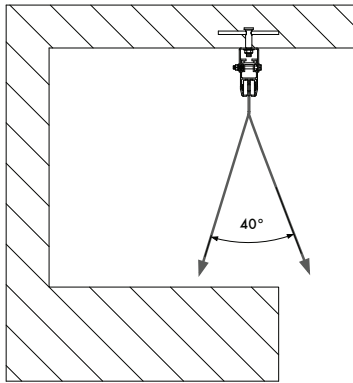
MAINTENANCE

- This system will require maintenance and recertification every 12 months in accordance with manufacturer's instructions and Australian Standards.
- All concrete friction fit or chemical fix anchors will require periodic load testing in accordance with manufacturer's instructions and Australian Standards.

RAPTOR TROLLEY CONFIGURATIONS

MOUNTING OPTIONS

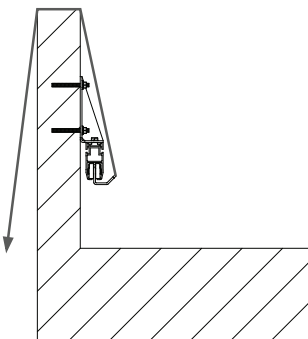
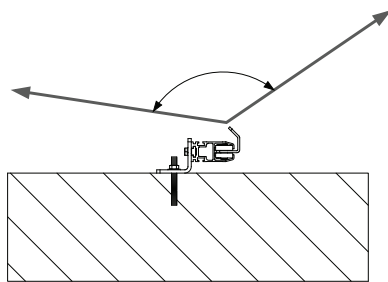
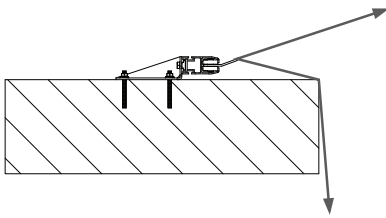
OVERHEAD MOUNT



OH 260
Trolley - Standard
- 15kN rated
- 1.5kg

OH 261A
Trolley Dual Attachment - Standard
- 15kN rated
- Dual attachment
- 2.6kg

SIDE MOUNT



OH 261F
Trolley Dual Attachment - Offset
- 15kN rated
- Dual attachment
- 2.6kg

OH 261M
Trolley Dual Attachment
- Multi Direction
- 15kN rated
- Dual attachment
- 2.6kg

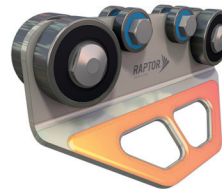
TROLLEY OPTIONS



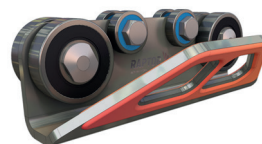
i For fall arrest applications



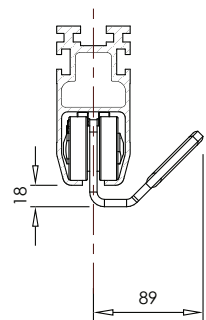
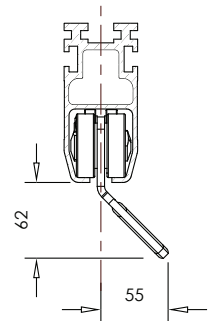
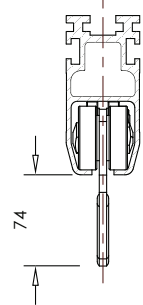
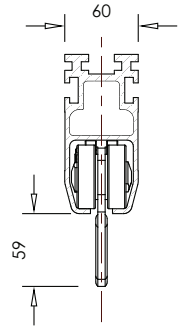
i For overhead rope access application.



i For side mount to parapet and metal deck applications.



i For side mounted overhead rope access application.



WARRANTY

WARRANTY PERIOD ON THIS SYSTEM - 10 YEARS FROM DATE OF PURCHASE

Should you have a warranty claim as a result of a defect the following procedure must be followed:

Identify the following information:

- The product/system name and code number.
- The date of purchase/installation.
- Installation company details.
- The installation identification number.
- The name of the company using this system.
- A description of the defect/warranty claim.
- The periodic system maintenance report.

Forward the above information to sales@sayfa.com.au or contact technical helpline, 1300 301 755.

NEVER HAS SAFETY
IN THE WORKPLACE
HAD A HIGHER PRIORITY

TERMS & CONDITIONS

- All warranty claims must be made in writing within 14 days of the appearance of the defect.
- Incorrect installation or work done by a non accredited Sayfa system installer will void all warranty rights.
- Systems that have been installed using non proprietary equipment will void all warranties.
- System roof/cladding penetration seals are not covered in this warranty.
- Systems/components that have not been maintained in accordance with manufacturer's/legislative requirements will void warranty.
- Systems used by incompetent persons or use with non compatible accessories ie. harness gear, lanyards, travellers, fall arrestors etc. will void warranty.
- Systems/components used for purposes other than their intended use will void warranty.
- General wear and tear is expected and will depend on the frequency of use and is not covered by warranty.

DISCLAIMER

All product specifications and technical descriptions, recommendations and other information provided, are given as general guidance and advice, and are to be read in conjunction with Sayfa Group installation instructions and any other data available and applicable to each particular standard product or system. Use of such data is however the user's sole responsibility, taking into account the intended application and actual conditions existing on the particular worksite. Consequent selection of the right product for any particular use, remains the user's ultimate responsibility. Sayfa Group is therefore not obligated or liable for any direct or indirect, incidental or consequential damages, losses or expenses in connection with, or by reason of the suitability and use of or otherwise, any product or system for any purpose. Implied warranties of merchantability or fitness for any particular purpose, are specifically excluded.

All Sayfa Group products must be installed and used by competent personnel trained in the selection, safe use and maintenance of fall arrest systems and equipment by a Registered Training Organisation (RTO) Installation not in accordance with Sayfa Group requirements or the use of non Sayfa Group components will void all certification and warranties.

Suitability of support structure and design layout of system is the responsibility of the installer and should be verified by a competent person trained by a Registered Training Organisation (RTO) in the selection, safe use and maintenance of fall arrest systems and equipment or approved by a structural engineer to ensure conformance.

Sayfa Group maintains a policy of continuous improvement and development, and therefore reserves the right to modify, amend or otherwise alter product and system designs and specifications, models and part numbers, colours and pricing etc without prior notice. Errors and omissions are excepted, and Sayfa Group accepts no liability for incorrect information, errors or omissions.

TECHNICAL SPECIFICATION

SYSTEM CODE RAPTOR RAIL SYSTEM - ROPE ACCESS
OH 250

TECHNICAL DATA

MATERIALS

- Rail - profiled hi-tensile aluminum
- Trolley - stainless steel including 6 sealed bearings
- Mounting Brackets - profiled stainless steel and/or aluminium
- Mounting Fixings - M12 stainless steel fixings

FIXINGS (into support structure)

- Steel fixing - M16 bolt or threaded stud
 - Concrete fixing - M16 chemical fix or cast in concrete anchor
- Note: Fixings may vary depending on application

WEIGHT

- 4.5kg / per linear metre of rail section

WORKING LOAD LIMIT

Single person use - 180kg per trolley (user/equipment)

- Maximum horizontal pitch of rail for safe use - 3° (above 3° will require trolley stop device)
- Support structure integrity, suitability and fixing method to be assessed and determined by a competent person prior to installation

Note: Spans based on angle of rope line not exceeding 20° as this will exert increased load to the system.

RAPTOR RAIL SPAN TABLE (FOR ROPE ACCESS USE)

RAPTOR RAIL ONLY			RAPTOR RAIL WITH LONGSPAN SUPPORT		
No of Users Per Span	Max Span Length	Support Structure Design Load	No of Users Per Span	Max Span Length	Support Structure Design Load
1	4000mm	12kN	1	6000mm	12kN
2	3200mm	18kN	2	5500mm	28kN
3	2500mm	24kN	3	5200mm	24kN
4	2000mm	30kN	4	4200mm	30kN

COMPLIANCE

Raptor Rail for abseil use is designed to comply with Australian Standards AS/NZS4488, AS/NZS1891.4, AS/NZS1891.2 and relevant statutory OHS Codes of Practice/Guidelines. (Refer instruction manual.)

TESTING

Testing and performance based on requirements of Australian Standard AS/NZS 4488, AS/NZS1891.4 and AS/NZS1891.2

PRODUCT WARRANTY

10 years from date of purchase subject to correct installation, use and maintenance in accordance with manufacturer's specifications and recommendations. (Refer instruction manual.)

INSPECTION AND MAINTENANCE

Inspection and certification every 12 months by a height safety equipment inspector in accordance with manufacturer's specifications and requirements of Australian Standard AS/NZS1891.1:2009 (Refer instruction manual.)

IMPORTANT NOTE

Failure to supply and/or install proprietary product in accordance with above standards and codes, specifications and instructions voids complete system certification and/or warranty.

PRODUCT
BROCHURE





1029 MOUNTAIN HWY
BORONIA VIC 3155
AUSTRALIA

T 1300 301755
F 1300 881 092
E INFO@SAYFA.COM.AU

FOR MORE INFORMATION
VISIT SAYFA.COM.AU



THE SAYFA GROUP

WE SAVE LIVES!

This is our Mission, and it drives our Vision to BRING EVERY WORKER HOME SAFELY.

Sayfa Group leads the industry in the design, installation and management of access and fall protection systems. As an Australian owned company, we engineer and rigorously test our proprietary systems to exceed national and international standards. Simple installation and easy to use systems are our key drivers for ensuring maximum effectiveness and improved safety ensuring compliance with Occupational Health and Safety standards in the workplace.

OUR VALUES

We are governed by the following principles in everything we do:

- A - Accountability / Totally responsible and answerable for our actions.
- L - Loyalty / Steadfast and dependable based on our values in our dealings with one another.
- I - Integrity / Honest and sincere, we do what we say, on time every time.
- V - Value Driven / Increase what's of value in view of a win win plan for all.
- E - Enthusiastic / Motivated and inspired to continuously perform better.

COMMITMENT

We are passionate about our work with every product a testament to our commitment of world class safety, quality and performance. Our obligation is to live up to our own high standards as well as those of our customers and stakeholders ensuring total peace of mind.



Distributor:



0508 4 CAMEL (0508 4 22 635)
heightsystems@camelspace.com
www.camelspace.com