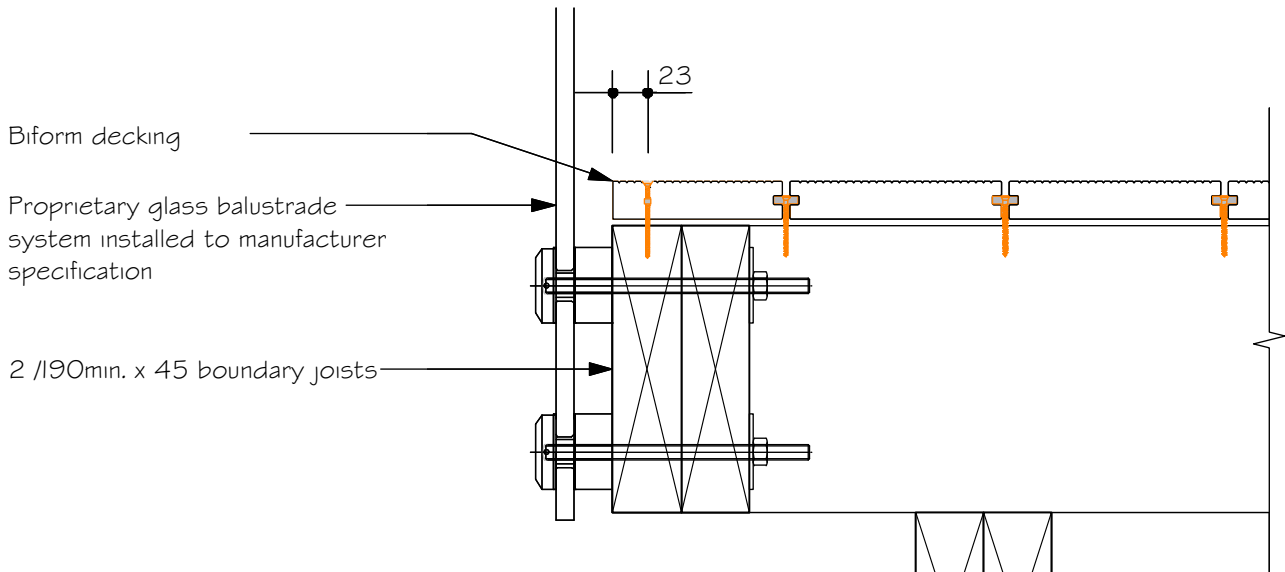
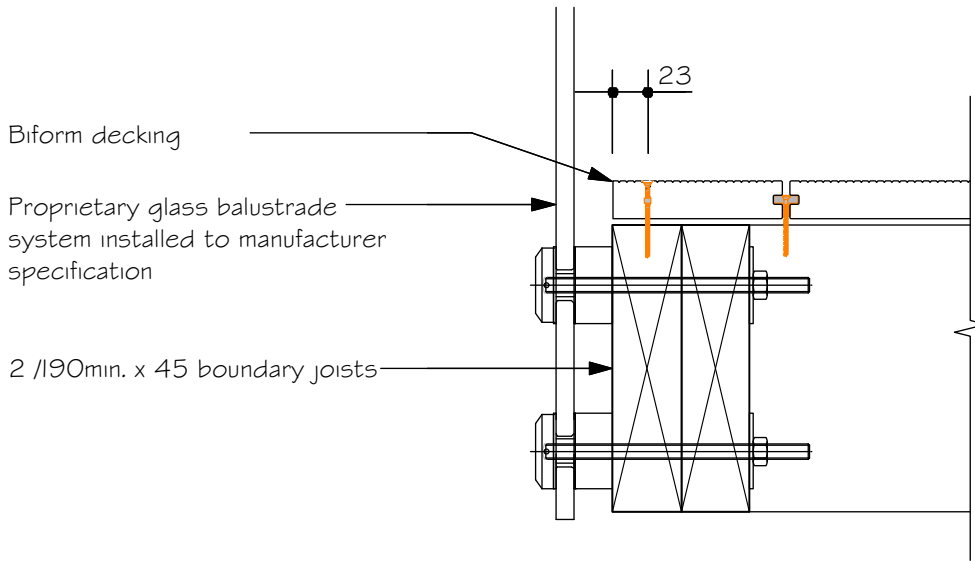
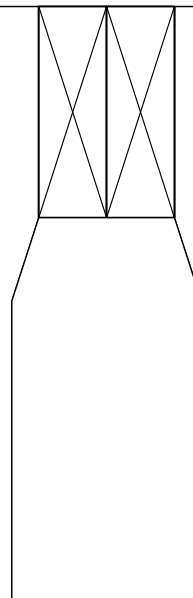


Cantilever deck



Self supported deck



Glass balustrade with timber deck options

All construction to be done in accordance with the NZBC.

Biform Ltd
PO Box 13842
Onehunga
AUCKLAND
New Zealand

0800 449 274
www.biform.co.nz
info@biform.co.nz

Dwg No#: 03
Scale: : as shown
Revesion:
Date: 10.09.2014

biform
SOLID COMPOSITE DECKING

BRANZ Appraised
Appraisal No.680 [2010]