

# DRAWING LIST

EVOLUTION PANELISED FACADE (EVO) HORIZONTALLY LAID					
Page	DATE	DETAIL NAME	DRG_REF	REVISION	APPROVED
1	08.03.24	DRAWING LIST	EVO_HS_01	-	JS
2	08.03.24	KS1000 EVOLUTION AXIS PANEL PROFILE	EVO_HS_02	-	JS
3	08.03.24	KINGSPAN KS1000 MULTI-GROOVE PANEL PROFILES	EVO_HS_03	-	JS
4	08.03.24	EVO WALL STRUCTURAL FIXING EXAMPLES	EVO_HS_04	-	JS
5	08.03.24	EVO WALL HORIZONTAL FIXING	EVO_HS_05	-	JS
6	08.03.24	EVO WALL TOP HAT JOIN SINGLE FIXING (PLAN)	EVO_HS_06	-	JS
7	08.03.24	EVO LONGSPAN TOPHAT DETAIL TO UC COLUMN	EVO_HS_07	-	JS
8	08.03.24	PANEL FIXED TO TIMBER STRUCTURE	EVO_HS_08	-	JS
9	08.03.24	EVO WALL PANEL BEARER DETAIL	EVO_HS_09	-	JS
10	08.03.24	EVO WALL BASE CHANNEL SUPPORT DETAIL	EVO_HS_10	-	JS
11	08.03.24	EVO WALL TOP HAT JOIN SEAL DETAIL	EVO_HS_11	-	JS
12	08.03.24	EVO WALL TOP HAT JOIN FIXING DETAIL	EVO_HS_12	-	JS
13	08.03.24	EVO WALL HORIZONTAL SHEETING SUPPORTS	EVO_HS_13	-	JS
14	08.03.24	SITE CUT PANEL DETAIL	EVO_HS_14	-	JS
15	08.03.24	EVO WALL BASE (PANEL BEARER)	EVO_HS_15	-	JS
16	08.03.24	EVO WALL BASE STEP	EVO_HS_16	-	JS
17	08.03.24	EVO WALL BASE CHANNEL DETAIL	EVO_HS_17	-	JS
18	08.03.24	BASE DETAIL - CAVITY DIRECT FIXED TO TIMBER	EVO_HS_18	-	JS
19	08.03.24	BASE DETAIL - CAVITY WALL ON RAB BOARD	EVO_HS_19	-	JS
20	08.03.24	BASE DETAIL - CAVITY WALL ON BUILDING WRAP	EVO_HS_20	-	JS
21	08.03.24	EVO WALL - EXTERNAL CORNER	EVO_HS_21	-	JS
22	08.03.24	EVO WALL - INTERNAL CORNER	EVO_HS_22	-	JS
23	08.03.24	EVO WALL FACE ABUTTING CONCRETE SLAB	EVO_HS_23	-	JS
24	08.03.24	EXTERNAL SINGLE CRANK PRE-FORMED CORNER	EVO_HS_24	-	JS
25	08.03.24	EXTERNAL DOUBLE CRANK PRE-FORMED CORNER	EVO_HS_25	-	JS
26	08.03.24	EVO BASE DETAIL ON PRE-CAST WALL	EVO_HS_26	-	JS
27	08.03.24	EVO BASE DETAIL ON PRE-CAST WALL	EVO_HS_27	-	JS
28	08.03.24	PANEL FIXED TO CONCRETE SLAB	EVO_HS_28	-	JS
29	08.03.24	EVO WALL FACE FIXED OVER CONCRETE	EVO_HS_29	-	JS
30	08.03.24	EVO WALL FACE ALIGNED WITH CONCRETE	EVO_HS_30	-	JS
31	08.03.24	EVO WALL EAVES GUTTER	EVO_HS_31	-	JS
32	08.03.24	EAVES GUTTER - CAVITY WALL ON RAB BOARD	EVO_HS_32	-	JS
33	08.03.24	EAVES GUTTER - CAVITY WALL ON BUILDING WRAP	EVO_HS_33	-	JS
34	08.03.24	EAVES GUTTER - ON TIMBER STRAPPING TO CONCRETE	EVO_HS_34	-	JS
35	08.03.24	OVERHANGING EAVES GUTTER	EVO_HS_35	-	JS
36	08.03.24	EVO WALL PARAPET GUTTER	EVO_HS_36	-	JS
37	08.03.24	EVO WALL VERGE DETAIL (RW MALE EDGE)	EVO_HS_37	-	JS
38	08.03.24	EVO WALL VERGE DETAIL (RW FEMALE EDGE)	EVO_HS_38	-	JS
39	08.03.24	EVO WALL PARAPET VERGE	EVO_HS_39	-	JS
40	08.03.24	PARAPET VERGE WITH PANEL BEARER	EVO_HS_40	-	JS
41	08.03.24	EVO WALL SKILLION DETAIL (PANEL BEARER)	EVO_HS_41	-	JS
42	08.03.24	KS1000EVO WALL HORIZONTAL TO VERTICAL STACK JOINT DETAIL	EVO_HS_42	-	JS
43	08.03.24	KS1000EVO WALL HORIZONTAL TO VERTICAL SEISMIC HEAD DETAIL	EVO_HS_43	-	JS
44	08.03.24	EVO WALL WINDOW DETAIL (Base Channel)	EVO_HS_44	-	JS
45	08.03.24	EVO WALL WINDOW DETAIL (horizontal section)	EVO_HS_45	-	JS
46	08.03.24	EVO WALL PERSONNEL DOOR DETAIL	EVO_HS_46	-	JS
47	08.03.24	EVO WALL OVER HEAD DOOR DETAIL	EVO_HS_47	-	JS
48	08.03.24	EVO WALL PENETRATION DETAIL	EVO_HS_48	-	JS
49	08.03.24	EVO WALL PENETRATION DETAIL	EVO_HS_49	-	JS
50	08.03.24	PIPE SUPPORT DETAILS	EVO_HS_50	-	JS
51	08.03.24	PIPE SUPPORT DETAILS	EVO_HS_51	-	JS
52	08.03.24	KS1000EVO WALL SEISMIC JOINT DETAIL	EVO_HS_52	-	JS

## DISCLAIMER

These details are provided as a guideline for correct panel and associated component installation, which are based on industry accepted practices.

The location of the vapour barrier and associated sealants in these details are for typical "ambient" installations. Contact Kingspan Technical for specific detailing for low temp, high humidity or fire detailing.

All structural supports are 'not by Kingspan'. They are shown for clarification and illustrative purposes only.

Refer the product data sheet for maximum panel spans based on the project specific design loads as determined by the project engineer.

Cold rolled steel sections are shown on these details however hot rolled or timber can be substituted.

The number of fixings on any detail is an indication only, the actual number required is project specific and need to be calculated based on project specific conditions. Refer to the project engineer.

These details are subject to change at anytime. Please refer to the Kingspan NZ website or Kingspan Technical for the latest version.

SYSTEM KS1000EVO WALL HORIZONTAL_STD Q1 2024		
DESCRIPTION DRAWING LIST		
APPROVED BY JS	DATE 08.03.24	REVISION -
DRG REF: EVO_HS_01	SCALE 1	PAPER SIZE A4

This document remains the property of Kingspan Ltd under copyright laws. Licence is granted to use this document and its contents in connection with Kingspan Ltd products only.  
©Kingspan Ltd

DO NOT SCALE. IF IN DOUBT ASK



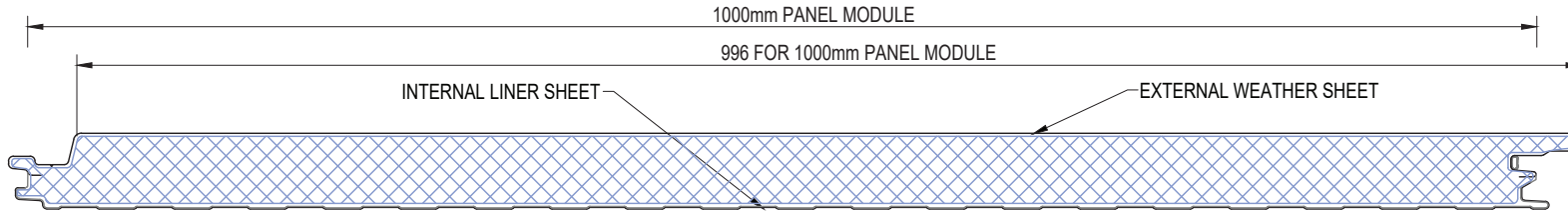
New Zealand: Kingspan Ltd  
97 Montreal St, Christchurch, Tel: 03 260 5530, Freephone: 0800 121280  
email: info@kingspanpanels.co.nz, www.kingspanpanels.co.nz

# KS900, KS1000 EVOLUTION AXIS PANEL PROFILE

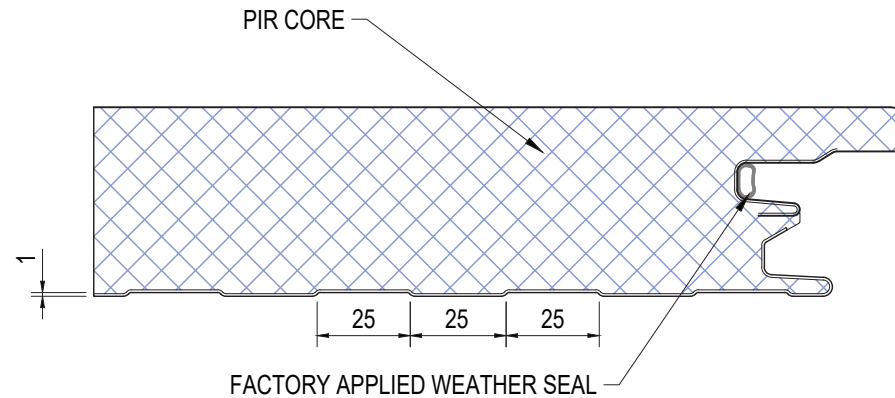
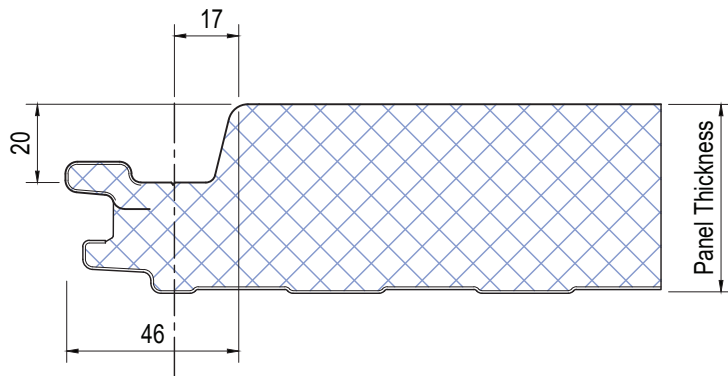
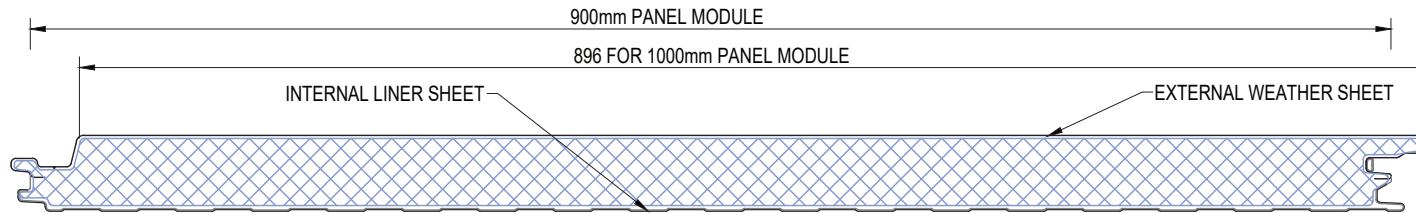
APPROVAL NAME: KS900, KS1000 EVOLUTION AXIS

AVAILABLE PANEL THICKNESSES	NOTE: DIMENSIONS ARE NOMINAL, ACTUAL DIMENSIONS WILL VARY DUE TO MANUFACTURING TOLERANCES. PRECISE DIMENSIONS MUST ALWAYS BE MEASURED FROM ACTUAL SAMPLES ALL DIMENSIONS IN MILLIMETRES.
INSULATION CORE	
50	
80	
	100
	140

## KS1000 EVOLUTION AXIS PANEL PROFILE



## KS900 EVOLUTION AXIS PANEL PROFILE



SYSTEM KS1000EVO WALL HORIZONTAL_STD Q1 2024		
DESCRIPTION KS900, KS1000 EVOLUTION AXIS PANEL PROFILE		
APPROVED BY JS	DATE 08.03.24	REVISION -
DRG REF: EVO_HS_02	SCALE 1:5	PAPER SIZE A4

This document remains the property of Kingspan Ltd under copyright laws. Licence is granted to use this document and its contents in connection with Kingspan Ltd products only.  
©Kingspan Ltd

DO NOT SCALE. IF IN DOUBT ASK



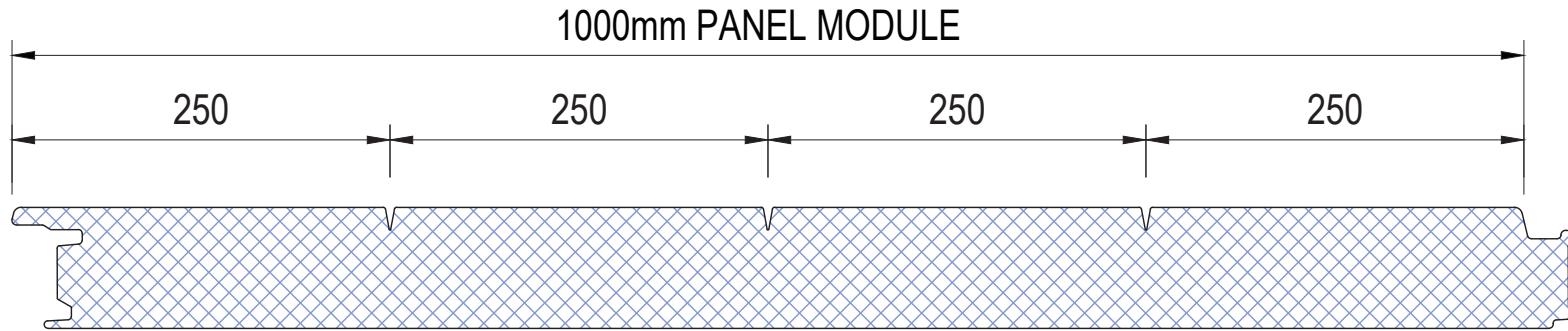
New Zealand: Kingspan Ltd  
97 Montreal St, Christchurch, Tel: 03 260 5530, Freephone: 0800 121280  
email: info@kingspanpanels.co.nz www.kingspanpanels.co.nz

# KINGSPAN KS1000 MULTI-GROOVE PANEL PROFILES

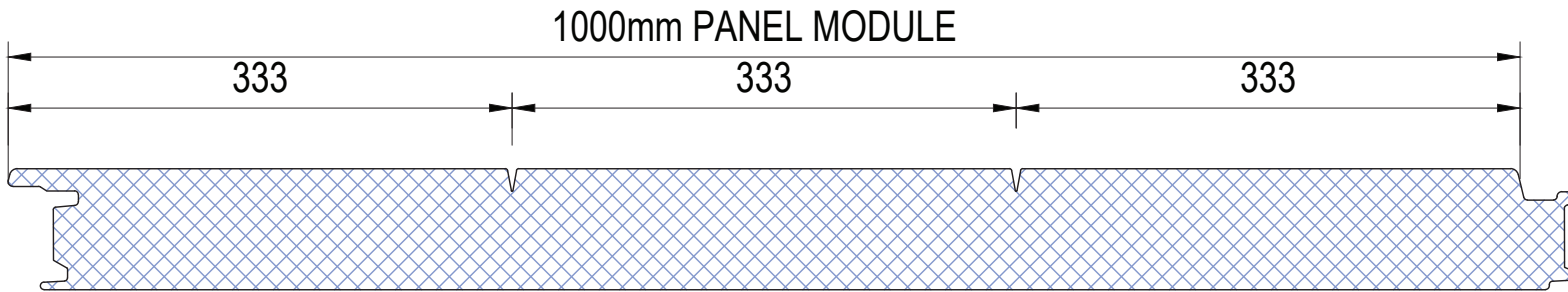
APPROVAL NAME: KS1000EG

AVAILABLE PANEL THICKNESSES	
INSULATION CORE	
	50
	80
	100
	140

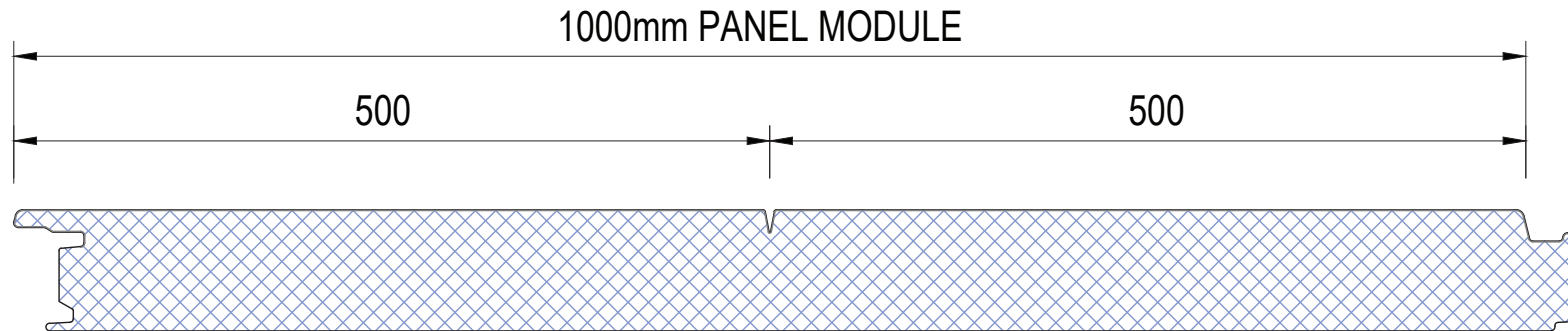
NOTE: DIMENSIONS ARE NOMINAL. ACTUAL DIMENSIONS WILL VARY DUE TO MANUFACTURING TOLERANCES. PRECISE DIMENSIONS MUST ALWAYS BE MEASURED FROM ACTUAL SAMPLES ALL DIMENSIONS IN MILLIMETRES.



MULTI-GROOVE PANEL PROFILE - 3 GROOVES



MULTI-GROOVE PANEL PROFILE - 2 GROOVES



MULTI-GROOVE PANEL PROFILE - 1 GROOVE

SYSTEM KS1000EVO WALL HORIZONTAL_STD Q1 2024		
DESCRIPTION KINGSPAN KS1000 MULTI-GROOVE PANEL PROFILES		
APPROVED BY JS	DATE 08.03.24	REVISION -
DRG REF: EVO_HS_03	SCALE 1:5	PAPER SIZE A4

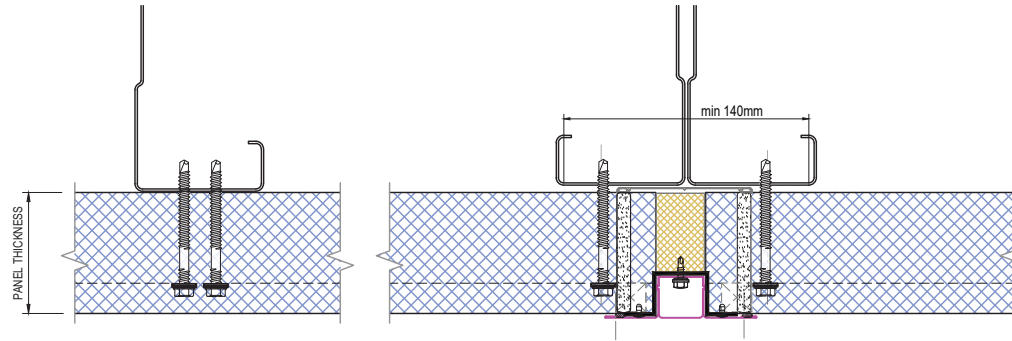
This document remains the property of Kingspan Ltd under copyright laws. Licence is granted to use this document and its contents in connection with Kingspan Ltd products only.  
©Kingspan Ltd

DO NOT SCALE. IF IN DOUBT ASK

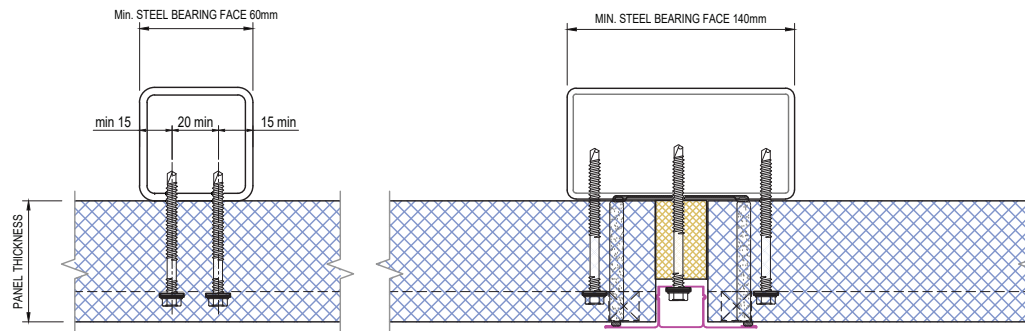
New Zealand: Kingspan Ltd  
97 Montreal St, Christchurch, Tel: 03 280 5530, Freephone: 0800 121280  
email: info@kingspanpanels.co.nz, www.kingspanpanels.co.nz

# EVO WALL STRUCTURAL FIXING EXAMPLES

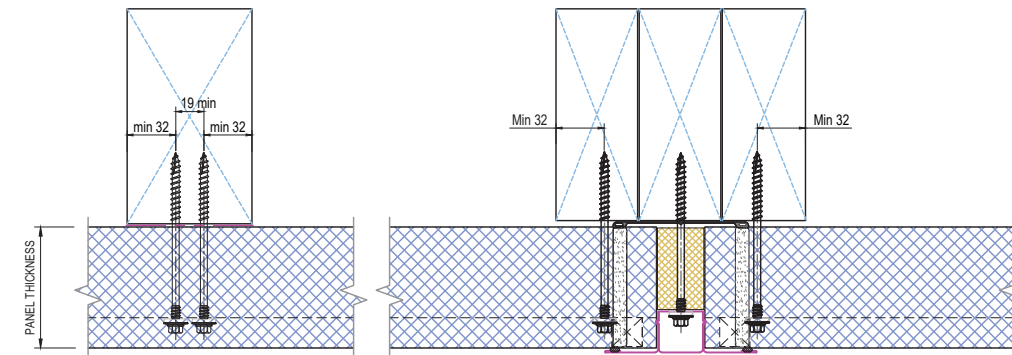
FIX TO LIGHT STEEL STRUCTURE



FIX TO HEAVY STEEL STRUCTURE

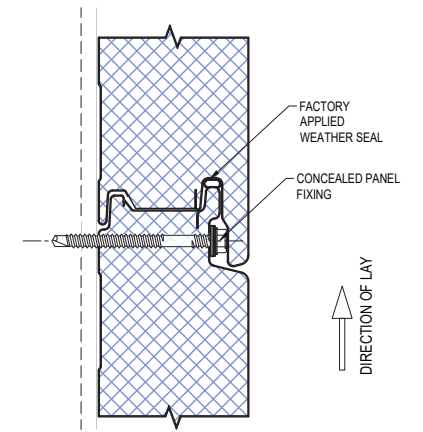


FIX TO TIMBER STRUCTURE



MIN TIMBER THICKNESS, 50mm  
ENSURE ADEQUATE TIMBER THICKNESS FOR SPECIFIED FIXING LENGTH (REFER FIXING SUPPLIER)

HORIZONTAL PANEL JOINT VERTICAL SECTION



SYSTEM KS1000EVO WALL HORIZONTAL_STD Q1 2024		
DESCRIPTION EVO WALL STRUCTURAL FIXING EXAMPLES		
APPROVED BY JS	DATE 08.03.24	REVISION -
DRG REF: EVO_HS_04	SCALE 1:5	PAPER SIZE A4

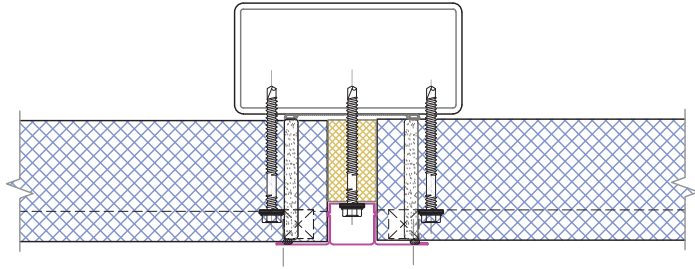
This document remains the property of Kingspan Ltd under copyright laws. Licence is granted to use this document and its contents in connection with Kingspan Ltd products only.  
©Kingspan Ltd

DO NOT SCALE. IF IN DOUBT ASK

New Zealand: Kingspan Ltd  
97 Montreal St, Christchurch, Tel: 03 260 5530, Freephone: 0800 121280  
email: info@kingspanpanels.co.nz, www.kingspanpanels.co.nz

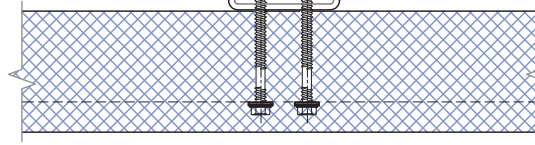
# EVO WALL HORIZONTAL FIXING

RECOMMENDED FASTENER LOCATIONS  
PATTERN A (SINGLE FASTENERS)

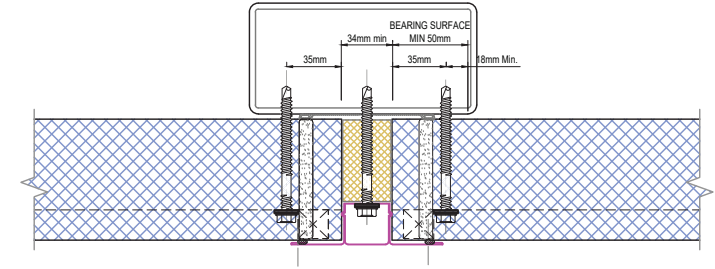


Min. Steel Bearing Face 60mm

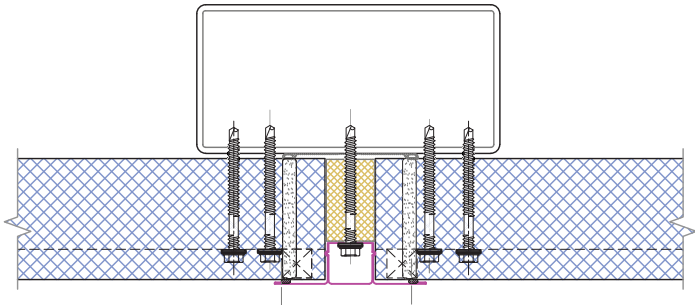
min 15    20 min    15 min



Min. Steel Bearing Face 140mm

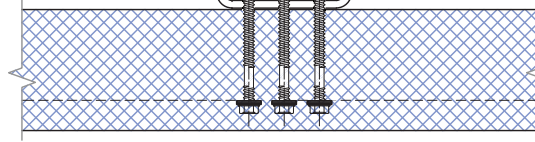


PATTERN B (SINGLE / DOUBLE FASTENERS)

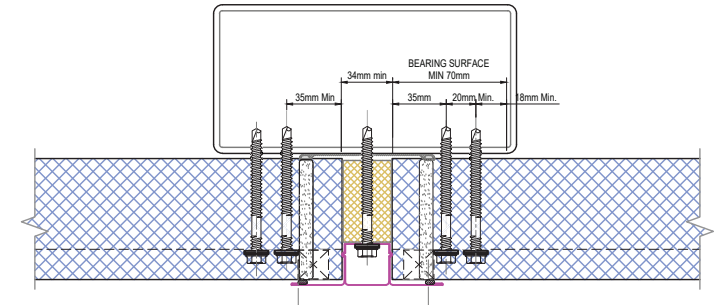


Minimum Fixing Spacings

15    20    20    15

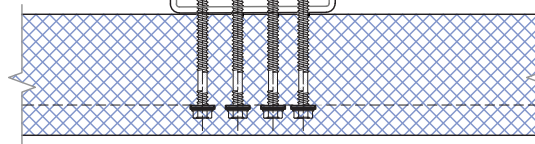


Min. Steel Bearing Face 200mm

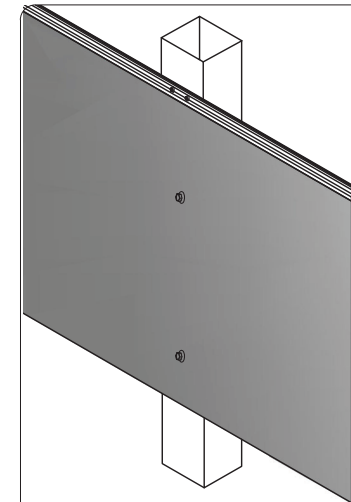


Minimum Fixing Spacings

15    20    20    20    15



NUMBER OF FASTENERS REQUIRED  
IS DEPENDENT ON THE PANEL SPAN  
AND WIND LOADS.



NOTE:  
FOR EXTREME WIND LOADS; ADDITIONAL  
FACE FIXING MAY BE REQUIRED

SYSTEM KS1000EVO WALL HORIZONTAL_STD Q1 2024		
DESCRIPTION EVO WALL HORIZONTAL FIXING		
APPROVED BY JS	DATE 08.03.24	REVISION -
DRG REF: EVO_HS_05	SCALE 1:5	PAPER SIZE A4

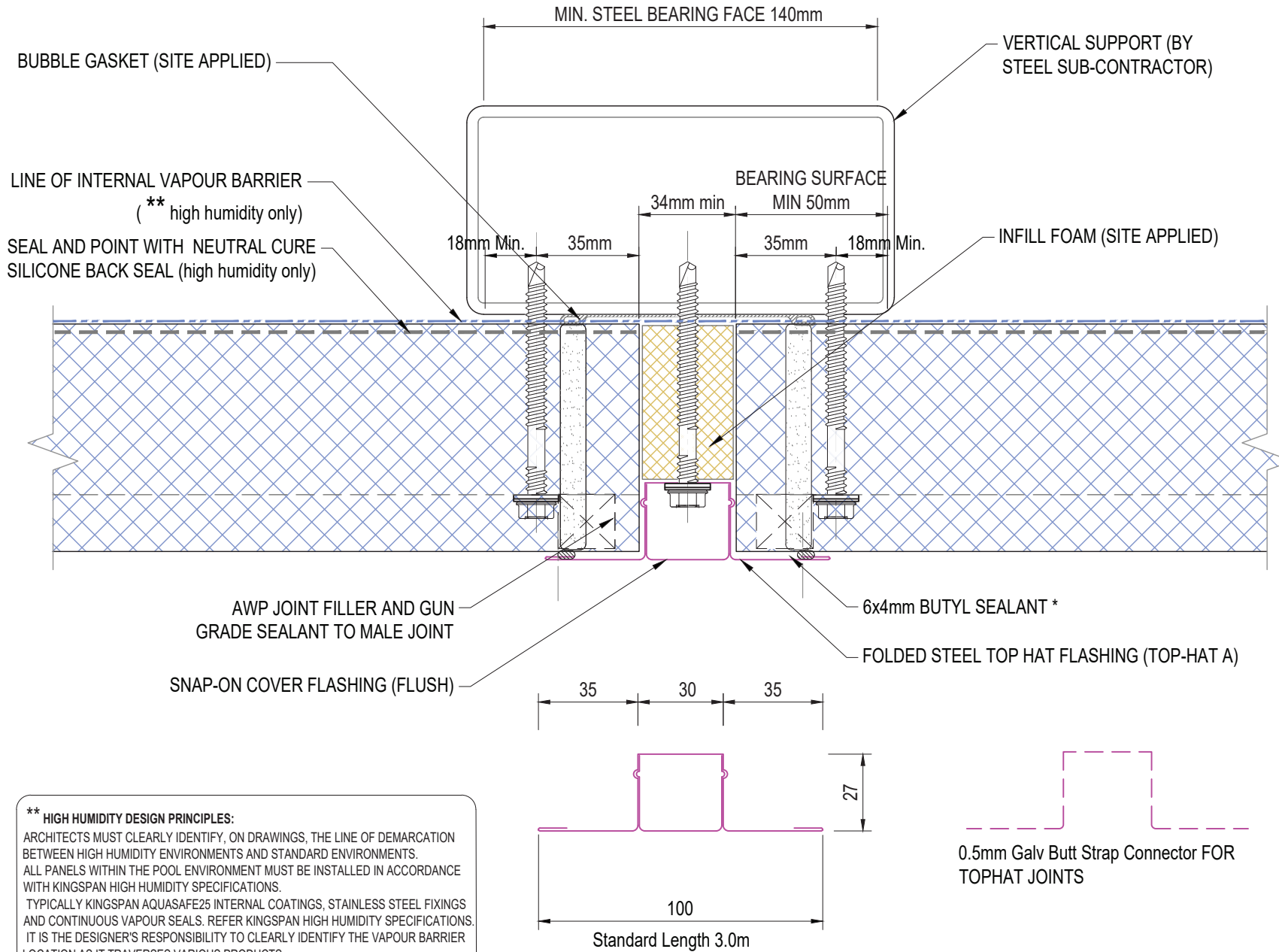
This document remains the property of Kingspan Ltd under copyright laws. Licence is granted to use this document and its contents in connection with Kingspan Ltd products only.  
©Kingspan Ltd

DO NOT SCALE. IF IN DOUBT ASK

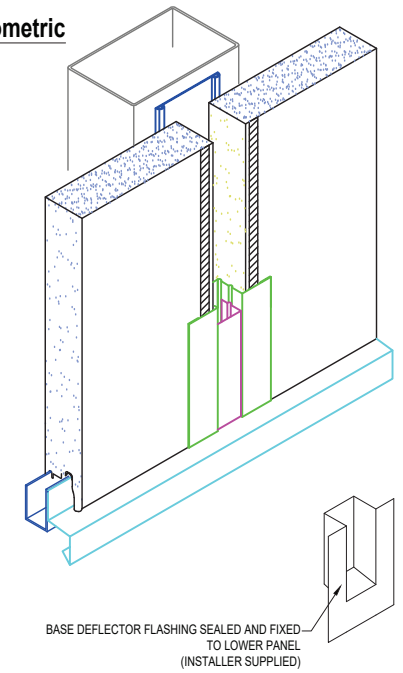


New Zealand: Kingspan Ltd  
97 Montreal St, Christchurch, Tel: 03 280 5530, Freephone: 0800 121280  
email: info@kingspanpanels.co.nz    www.kingspanpanels.co.nz

# EVO WALL TOP HAT JOIN SINGLE FIXING (PLAN)



## Isometric



TYPICAL TOPHAT BASE DETAIL  
(For Base Channel Only)

SYSTEM KS1000EVO WALL HORIZONTAL_STD Q1 2024		
DESCRIPTION EVO WALL TOP HAT JOIN SINGLE FIXING (PLAN)		
APPROVED BY JS	DATE 08.03.24	REVISION -
DRG REF: EVO_HS_06	SCALE 1:2	PAPER SIZE A4

This document remains the property of Kingspan Ltd under copyright laws. Licence is granted to use this document and its contents in connection with Kingspan Ltd products only.  
©Kingspan Ltd

DO NOT SCALE. IF IN DOUBT ASK

New Zealand: Kingspan Ltd  
97 Montreal St, Christchurch, Tel: 03 260 5530, Freephone: 0800 121280  
email: info@kingspanpanels.co.nz www.kingspanpanels.co.nz

### \*\* HIGH HUMIDITY DESIGN PRINCIPLES:

ARCHITECTS MUST CLEARLY IDENTIFY, ON DRAWINGS, THE LINE OF DEMARCATION BETWEEN HIGH HUMIDITY ENVIRONMENTS AND STANDARD ENVIRONMENTS. ALL PANELS WITHIN THE POOL ENVIRONMENT MUST BE INSTALLED IN ACCORDANCE WITH KINGSPAN HIGH HUMIDITY SPECIFICATIONS. TYPICALLY KINGSPAN AQUASAFE25 INTERNAL COATINGS, STAINLESS STEEL FIXINGS AND CONTINUOUS VAPOUR SEALS. REFER KINGSPAN HIGH HUMIDITY SPECIFICATIONS. IT IS THE DESIGNER'S RESPONSIBILITY TO CLEARLY IDENTIFY THE VAPOUR BARRIER LOCATION AS IT TRAVERSES VARIOUS PRODUCTS. ALL FIXINGS TO BE FASTENED THROUGH TO CLOSED PROFILED STRUCTURE SUCH AS TIMBER / RHS. ALL INTERIOR FLASHINGS TO BE AQUASAFE25.

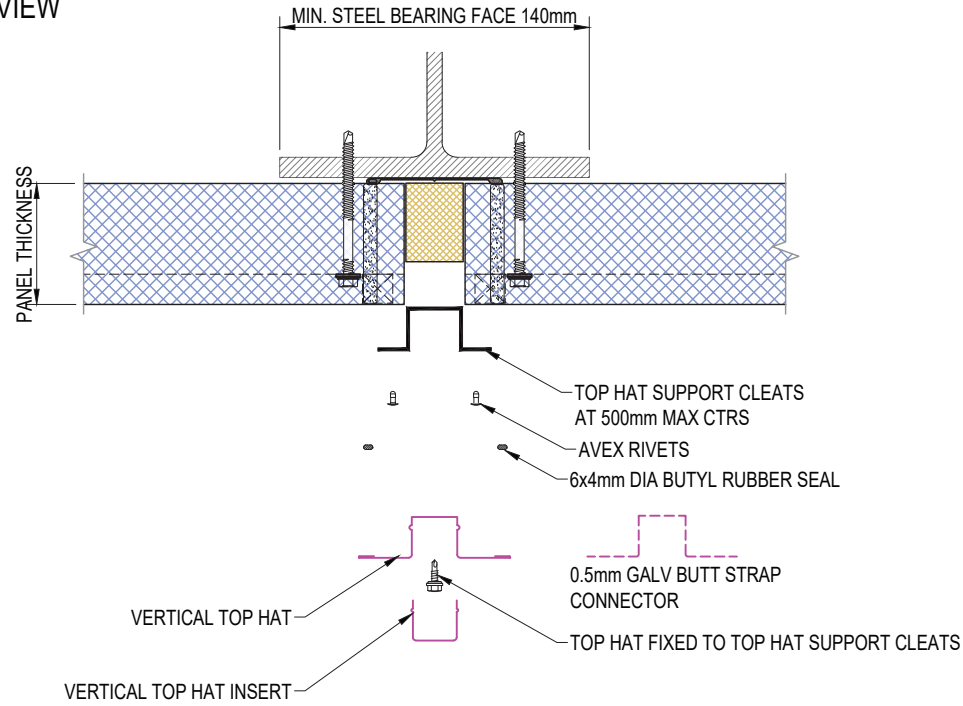
0.5mm Galv Butt Strap Connector FOR TOPHAT JOINTS



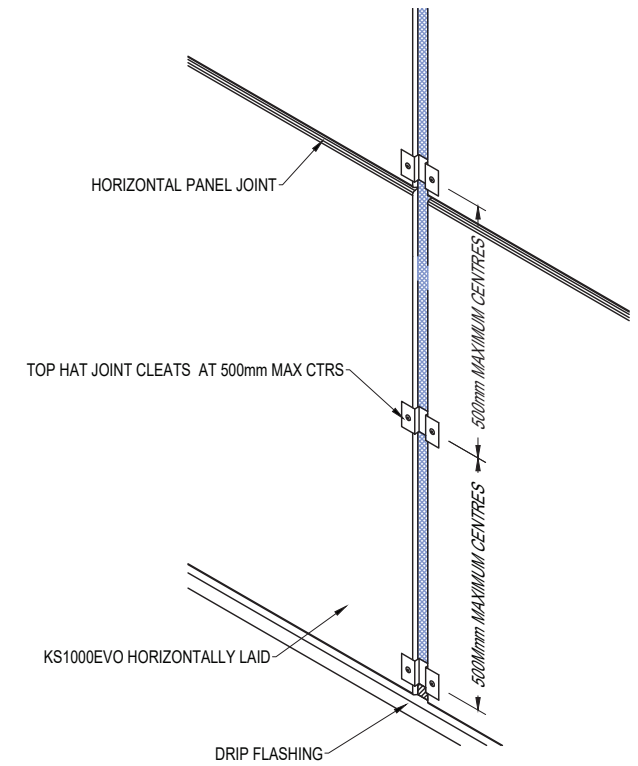
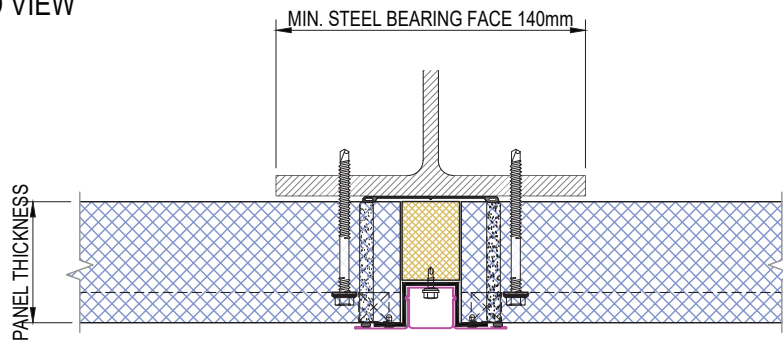
# EVO LONGSPAN TOPHAT DETAIL TO UC COLUMN

(When a Top-Hat Flashing Will Clash With The Column Web)

## EXPLODED VIEW



## ASSEMBLED VIEW



SYSTEM KS1000EVO WALL HORIZONTAL_STD Q1 2024		
DESCRIPTION EVO LONGSPAN TOPHAT DETAIL TO UC COLUMN		
APPROVED BY JS	DATE 08.03.24	REVISION -
DRG REF: EVO_HS_07	SCALE nts	PAPER SIZE A4

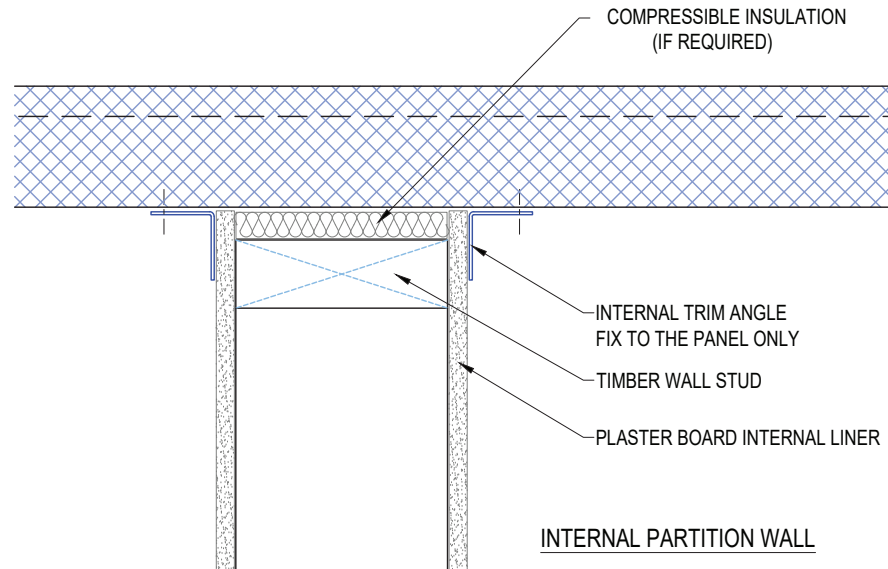
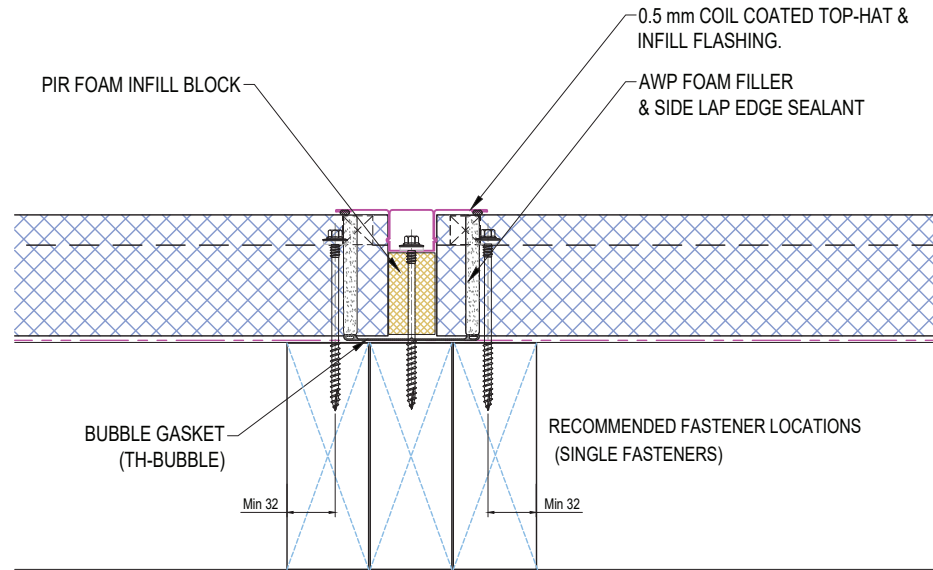
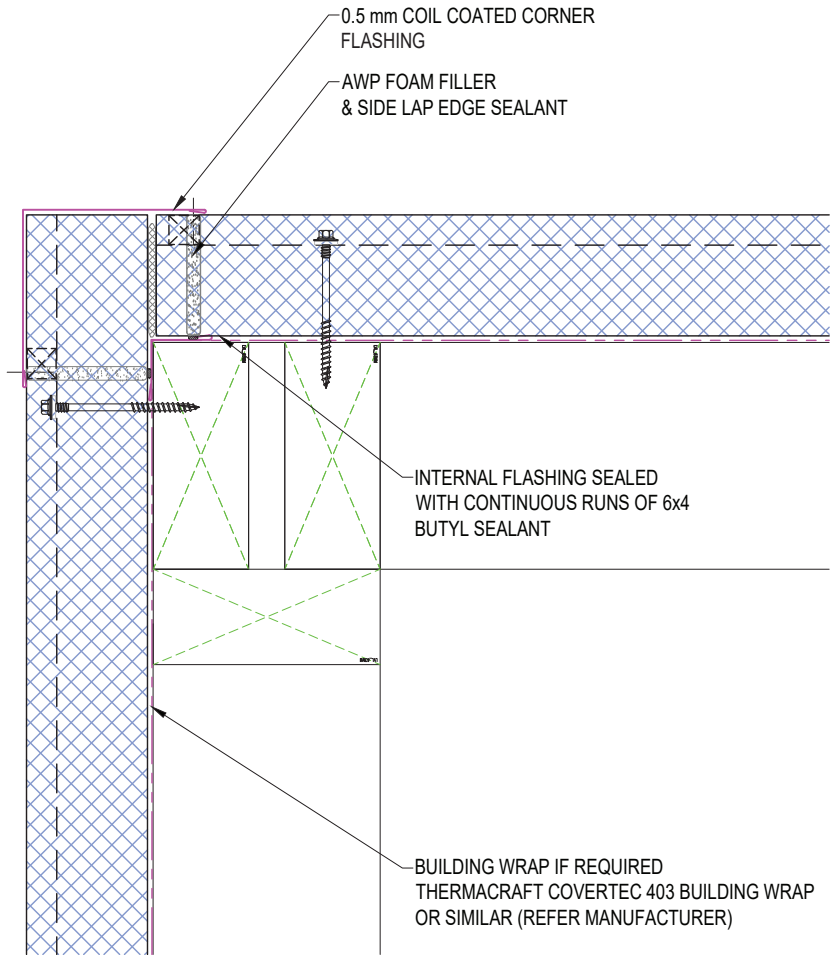
This document remains the property of Kingspan Ltd under copyright laws. Licence is granted to use this document and its contents in connection with Kingspan Ltd products only.  
©Kingspan Ltd

DO NOT SCALE. IF IN DOUBT ASK



New Zealand: Kingspan Ltd  
97 Montreal St, Christchurch. Tel: 03 292 5530. Freephone: 0800 121280  
email: info@kingspanpanels.co.nz www.kingspanpanels.co.nz

# PANEL FIXED TO TIMBER STRUCTURE



SYSTEM KS1000EVO WALL HORIZONTAL_STD Q1 2024		
DESCRIPTION PANEL FIXED TO TIMBER STRUCTURE		
APPROVED BY JS	DATE 08.03.24	REVISION -
DRG REF: EVO_HS_08	SCALE NTS	PAPER SIZE A4

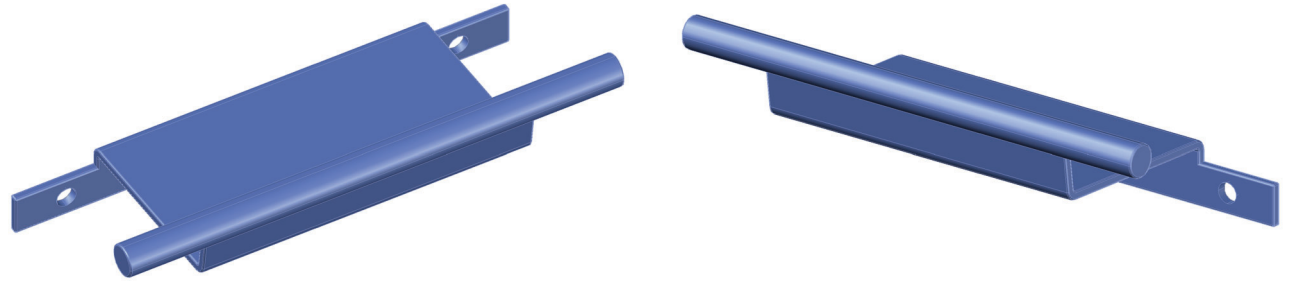
This document remains the property of Kingspan Ltd under copyright laws. Licence is granted to use this document and its contents in connection with Kingspan Ltd products only.  
©Kingspan Ltd

DO NOT SCALE. IF IN DOUBT ASK

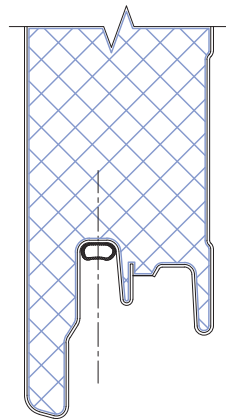
New Zealand: Kingspan Ltd  
97 Montreal St, Christchurch, Tel: 03 260 5530, Freephone: 0800 121280  
email: info@kingspanpanels.co.nz www.kingspanpanels.co.nz



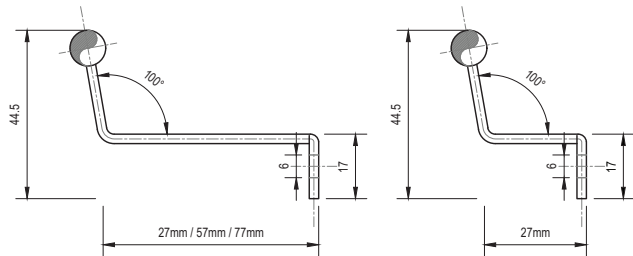
# EVO WALL PANEL BEARER DETAIL



KS1000EVO 50mm  
FEMALE JOINT



KINGSPAN 50mm, 80mm & 100mm  
AWP PANEL BEARER DETAILS

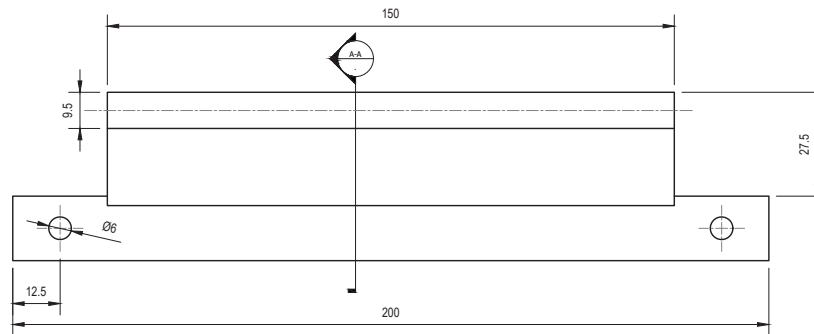


SECTION A-A

(50mm EVO = 27m)  
(80mm EVO = 57mm)  
(100mm EVO = 77m)

SECTION A-A

(50mm EVO)



ALL DIMENSIONS IN MILLIMETRES  
PANEL BEARER FIXING CENTRES 1500 mm MAX  
ONE NUMBER PANEL BEARER LOCATED AT EACH END OF PANEL

SYSTEM KS1000EVO WALL HORIZONTAL_STD Q1 2024		
DESCRIPTION EVO WALL PANEL BEARER DETAIL		
APPROVED BY JS	DATE 08.03.24	REVISION -
DRG REF: EVO_HS_09	SCALE 1:2	PAPER SIZE A4

This document remains the property of Kingspan Ltd under copyright laws. Licence is granted to use this document and its contents in connection with Kingspan Ltd products only.  
©Kingspan Ltd

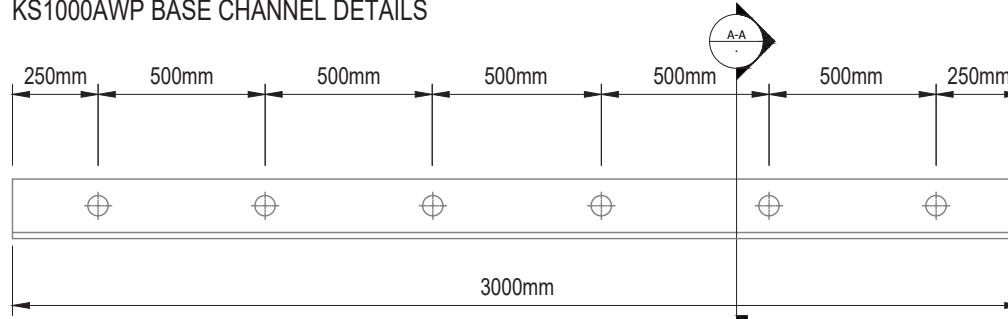
DO NOT SCALE. IF IN DOUBT ASK



New Zealand: Kingspan Ltd  
97 Montreal St, Christchurch, Tel: 03 260 5530, Freephone: 0800 121280  
email: info@kingspanpanels.co.nz www.kingspanpanels.co.nz

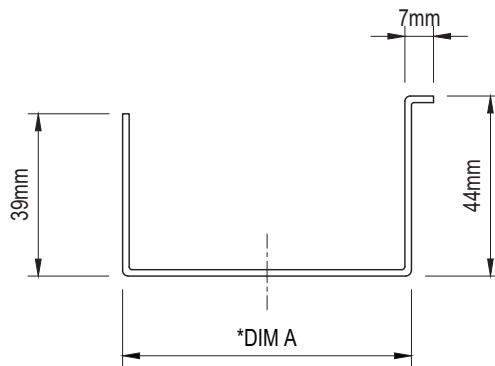
# EVO WALL BASE CHANNEL SUPPORT DETAIL

## KS1000AWP BASE CHANNEL DETAILS

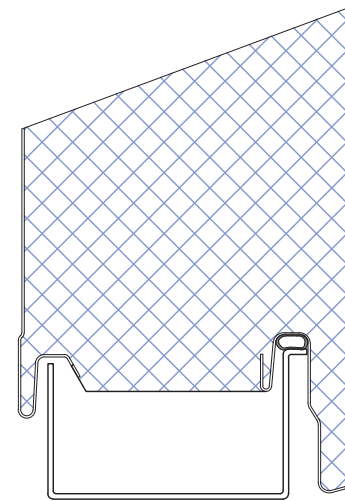


PLAN OF CHANNEL AND FIXING

POSITIONS



CROSS SECTION A-A



RELATION WITH PANEL

Available panel thicknesses	Dim "A"	Product code
50 EVO	21mm	BC 50
80 EVO	51mm	BC 80
100 EVO	71mm	BC 100
140 EVO	111mm	BC 140

**NOTE** : ABOVE DIMENSIONS ARE THEORETICAL, ACTUAL DIMENSIONS WILL VARY DUE TO MANUFACTURING TOLERANCES.  
 ALL DIMENSIONS ABOVE ARE IN MILLIMETERS.  
 BASE CHANNEL FIXED AT MAX 500mm CENTRES AS SHOWN ABOVE.  
 BASE CHANNEL TO BE CONTINUOUS AND SILICONE SEALED WHERE JOINTED.  
**MATERIAL** : 1.6mm THICK GALVANIZED STEEL

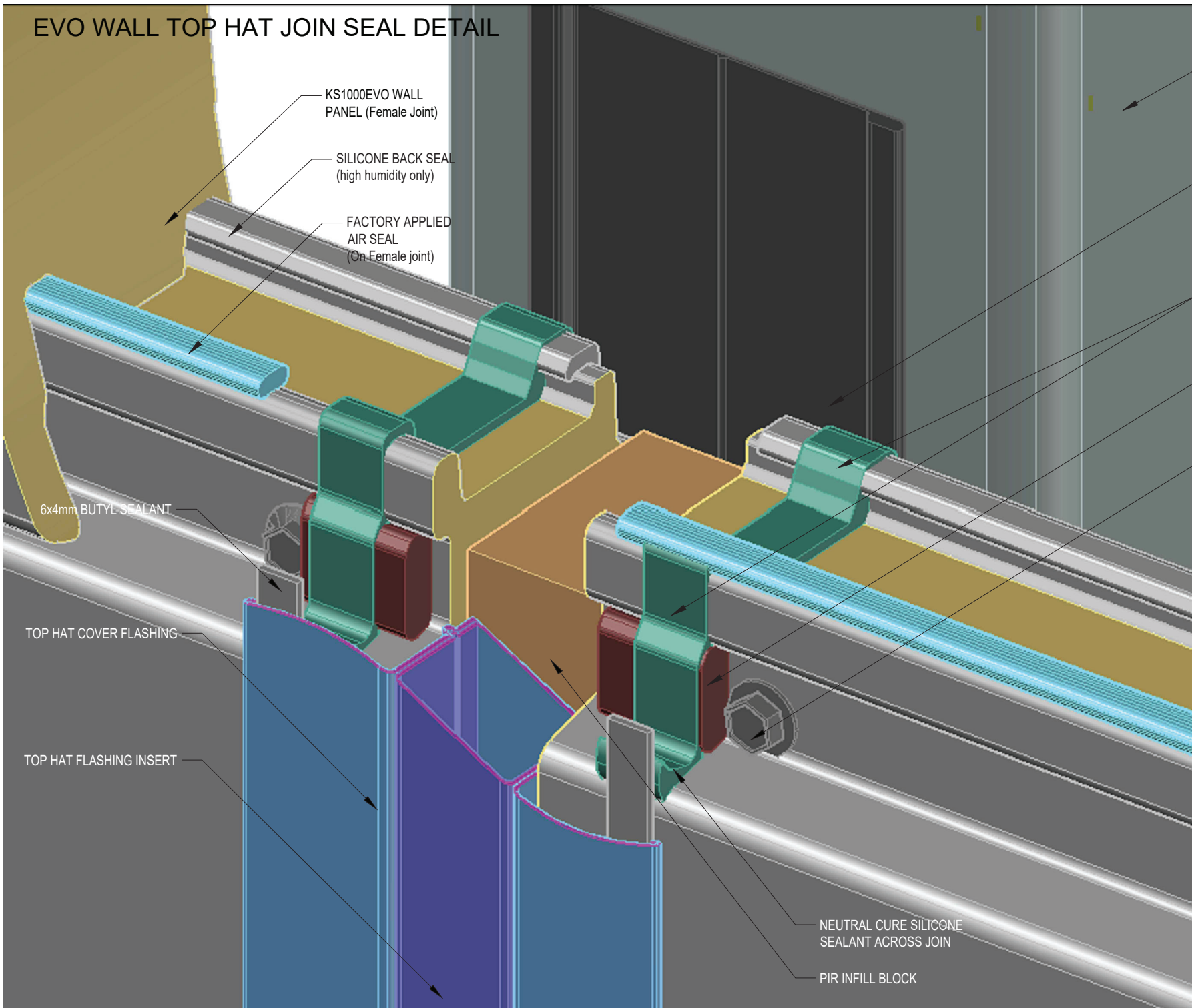
SYSTEM KS1000EVO WALL HORIZONTAL_STD Q1 2024		
DESCRIPTION EVO WALL BASE CHANNEL SUPPORT DETAIL		
APPROVED BY JS	DATE 08.03.24	REVISION -
DRG REF: EVO_HS_10	SCALE N.T.S	PAPER SIZE A4

This document remains the property of Kingspan Ltd under copyright laws. Licence is granted to use this document and its contents in connection with Kingspan Ltd products only.  
 ©Kingspan Ltd

DO NOT SCALE. IF IN DOUBT ASK

New Zealand: Kingspan Ltd  
 97 Montreal St, Christchurch, Tel: 03 260 5530, Freephone: 0800 121280  
 email: info@kingspanpanels.co.nz www.kingspanpanels.co.nz

# EVO WALL TOP HAT JOIN SEAL DETAIL



KS1000EVO WALL  
PANEL (Female Joint)

SILICONE BACK SEAL  
(high humidity only)

FACTORY APPLIED  
AIR SEAL  
(On Female joint)

6x4mm BUTYL SEALANT

TOP HAT COVER FLASHING

TOP HAT FLASHING INSERT

NEUTRAL CURE SILICONE  
SEALANT ACROSS JOIN

PIR INFILL BLOCK

STRUCTURE (By Others)

BUBBLE GASKET (VJ2)

NEUTRAL CURE SILICONE SEALANT  
ACROSS JOIN

AWP FOAM FILLER (3Fill)

PANEL FIXINGS. NUMBER  
DEPENDENT ON SPAN & WIND LOAD.

SYSTEM KS1000EVO WALL HORIZONTAL_STD Q1 2024		
DESCRIPTION EVO WALL TOP HAT JOIN SEAL DETAIL		
APPROVED BY JS	DATE 08.03.24	REVISION -
DRG REF: EVO_HS_11	SCALE 1:1	PAPER SIZE A4

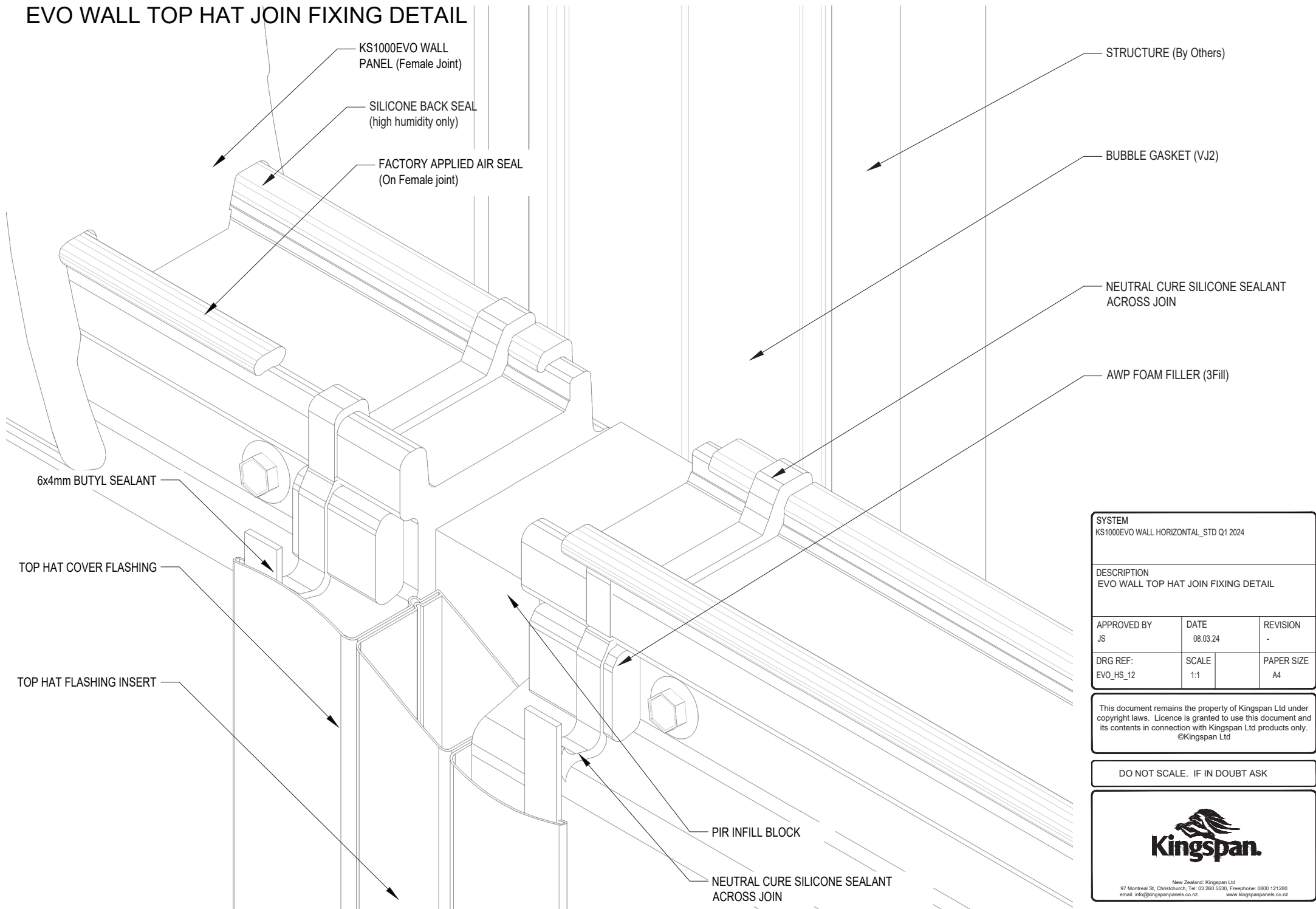
This document remains the property of Kingspan Ltd under copyright laws. Licence is granted to use this document and its contents in connection with Kingspan Ltd products only.  
©Kingspan Ltd

DO NOT SCALE. IF IN DOUBT ASK



New Zealand: Kingspan Ltd  
87 Montreal St, Christchurch, Tel: 03 260 5530, Freephone: 0800 121280  
email: info@kingspanpanels.co.nz www.kingspanpanels.co.nz

# EVO WALL TOP HAT JOIN FIXING DETAIL



SYSTEM KS1000EVO WALL HORIZONTAL_STD Q1 2024		
DESCRIPTION EVO WALL TOP HAT JOIN FIXING DETAIL		
APPROVED BY JS	DATE 08.03.24	REVISION -
DRG REF: EVO_HS_12	SCALE 1:1	PAPER SIZE A4

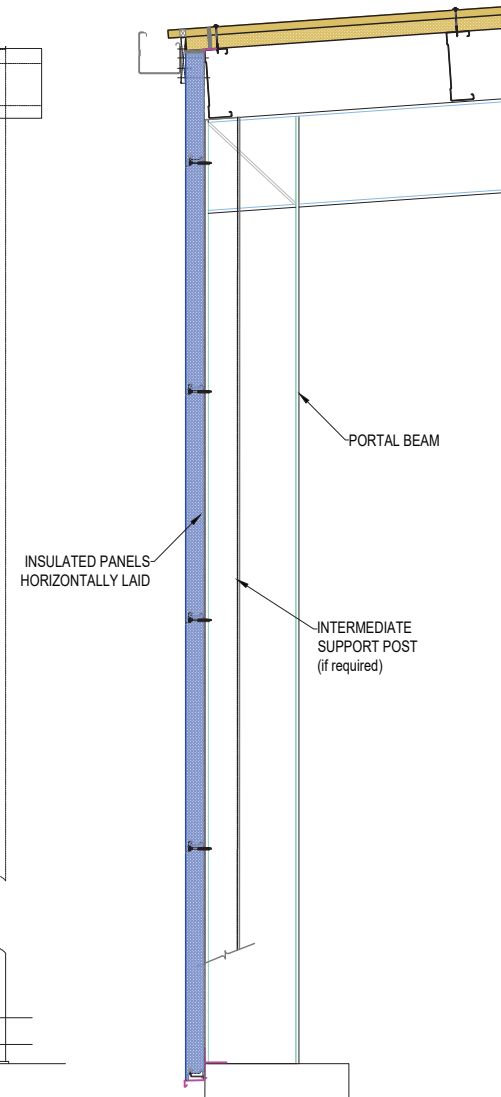
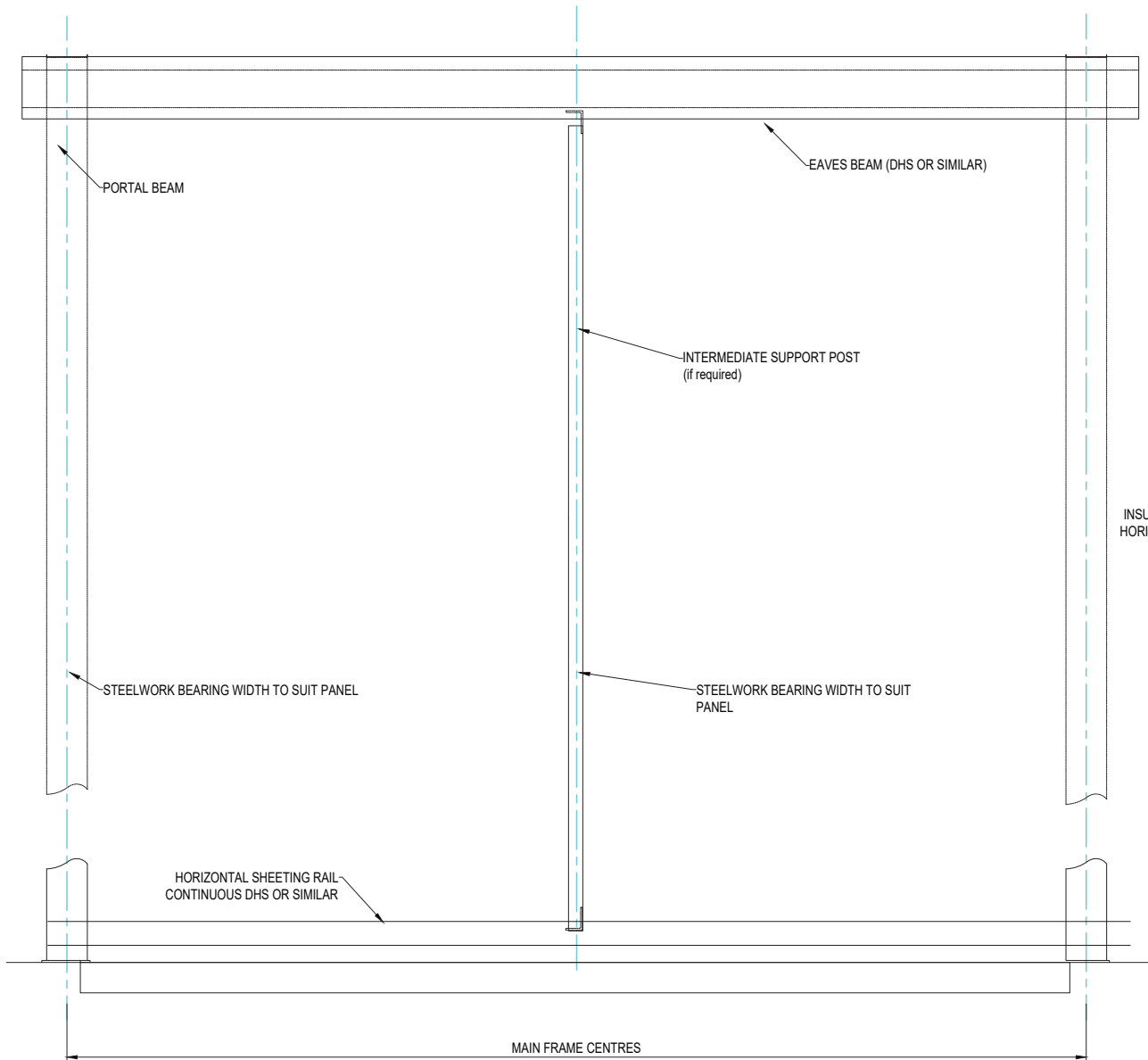
This document remains the property of Kingspan Ltd under copyright laws. Licence is granted to use this document and its contents in connection with Kingspan Ltd products only.  
©Kingspan Ltd

DO NOT SCALE. IF IN DOUBT ASK



New Zealand: Kingspan Ltd  
97 Montreal St, Christchurch, Tel: 03 290 5500, Freephone: 0800 121280  
email: info@kingspanpanels.co.nz, www.kingspanpanels.co.nz

# EVO WALL HORIZONTAL SHEETING SUPPORTS



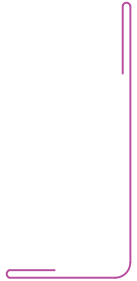
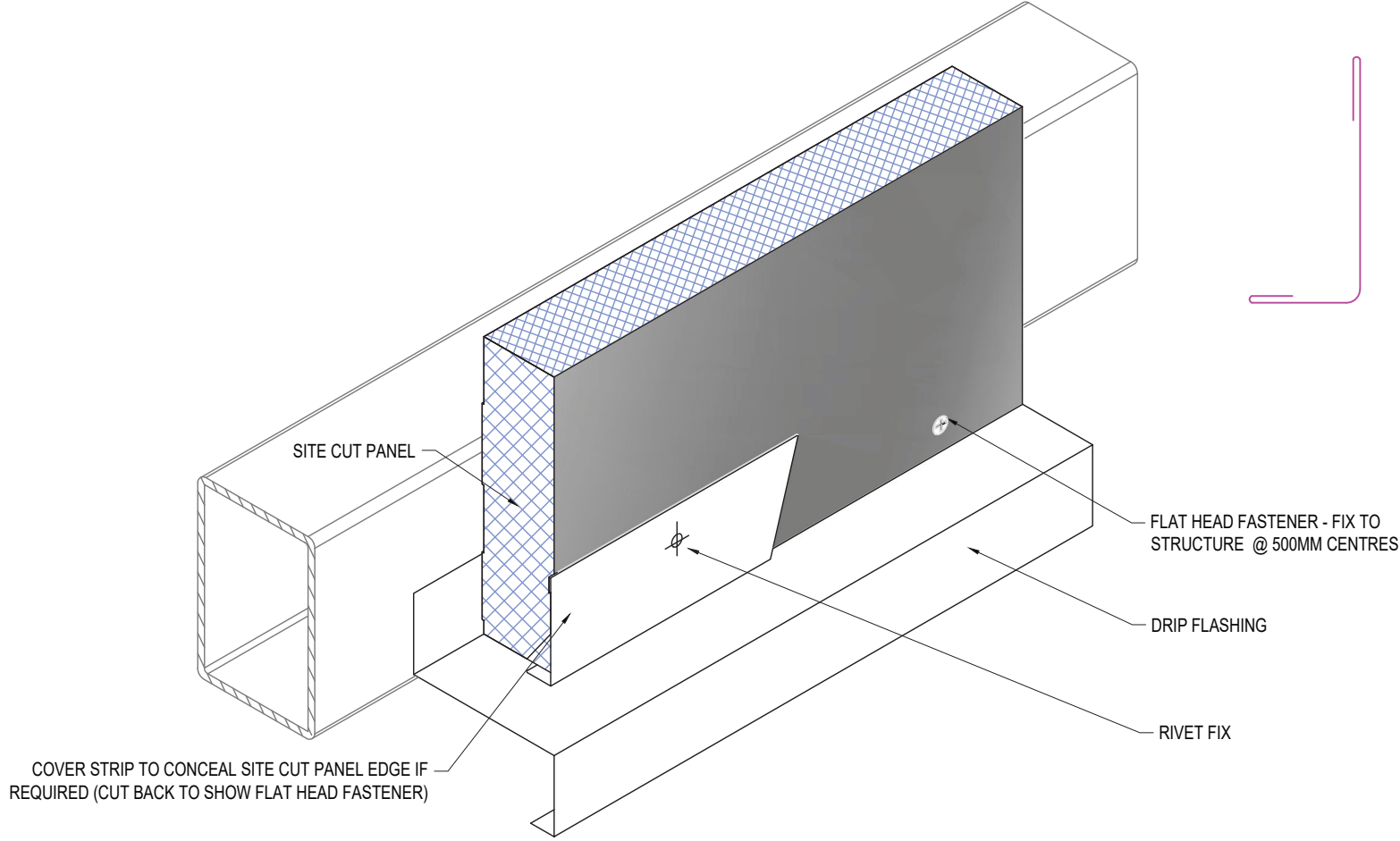
SYSTEM KS1000EVO WALL HORIZONTAL STD Q1 2024		
DESCRIPTION EVO WALL HORIZONTAL SHEETING SUPPORTS		
APPROVED BY JS	DATE 08.03.24	REVISION -
DRG REF: EVO_HS_13	SCALE NTS	PAPER SIZE A4

This document remains the property of Kingspan Ltd under copyright laws. Licence is granted to use this document and its contents in connection with Kingspan Ltd products only.  
©Kingspan Ltd

DO NOT SCALE. IF IN DOUBT ASK

New Zealand: Kingspan Ltd  
97 Montreal St, Christchurch, Tel: 03 260 5530, Freephone: 0800 121280  
email: info@kingspanpanels.co.nz www.kingspanpanels.co.nz

# SITE CUT PANEL DETAIL



SYSTEM KS1000EVO WALL HORIZONTAL_STD Q1 2024		
DESCRIPTION SITE CUT PANEL DETAIL		
APPROVED BY JS	DATE 08.03.24	REVISION -
DRG REF: EVO_HS_14	SCALE NTS	PAPER SIZE A4

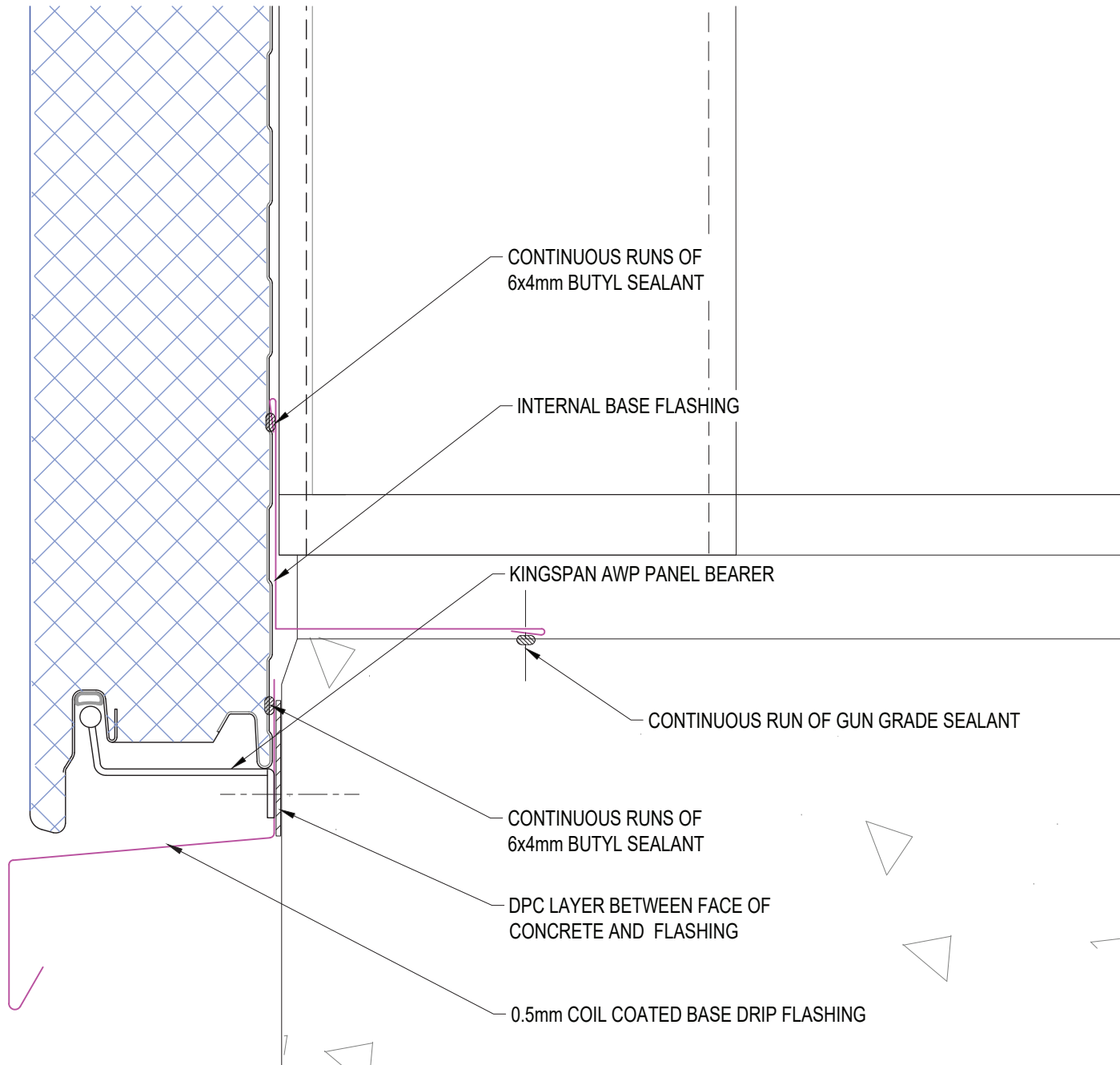
This document remains the property of Kingspan Ltd under copyright laws. Licence is granted to use this document and its contents in connection with Kingspan Ltd products only.  
©Kingspan Ltd

DO NOT SCALE. IF IN DOUBT ASK

New Zealand: Kingspan Ltd  
97 Montreal St, Christchurch, Tel: 03 260 5530, Freephone: 0800 121280  
email: info@kingspanpanels.co.nz www.kingspanpanels.co.nz



# EVO WALL BASE (PANEL BEARER)



SYSTEM KS1000EVO WALL HORIZONTAL_STD Q1 2024		
DESCRIPTION EVO WALL BASE (PANEL BEARER)		
APPROVED BY JS	DATE 08.03.24	REVISION -
DRG REF: EVO_HS_15	SCALE 1:2	PAPER SIZE A4

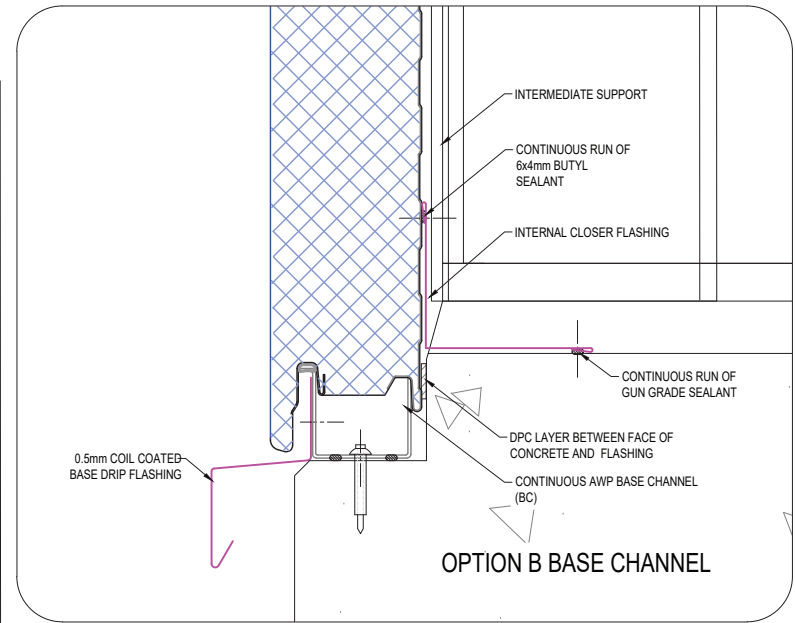
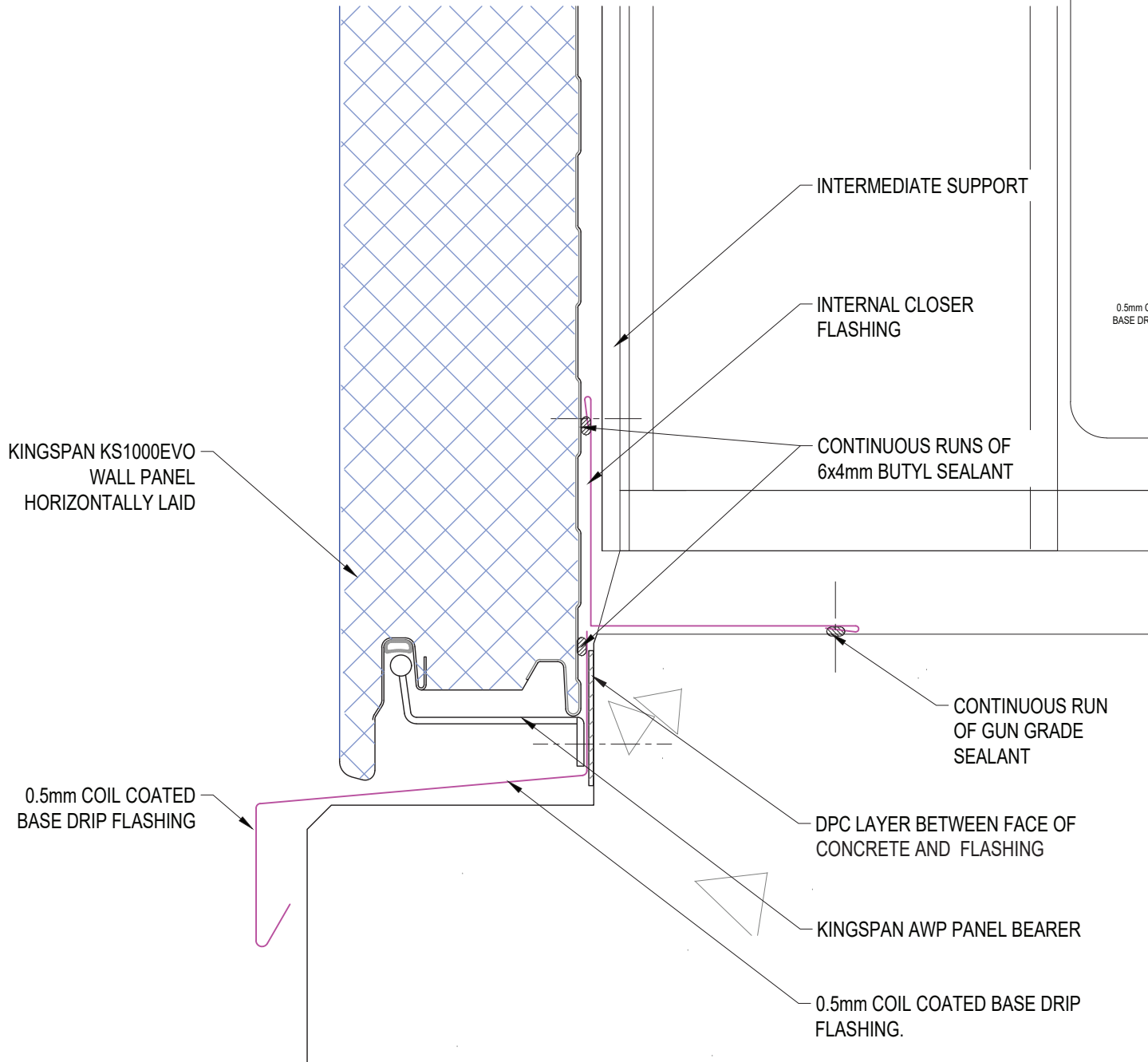
This document remains the property of Kingspan Ltd under copyright laws. Licence is granted to use this document and its contents in connection with Kingspan Ltd products only.  
©Kingspan Ltd

DO NOT SCALE. IF IN DOUBT ASK



New Zealand: Kingspan Ltd  
 97 Montreal St, Christchurch, Tel: 03 260 5530, Freephone: 0800 121280  
 email: info@kingspanpanels.co.nz www.kingspanpanels.co.nz

# EVO WALL BASE STEP



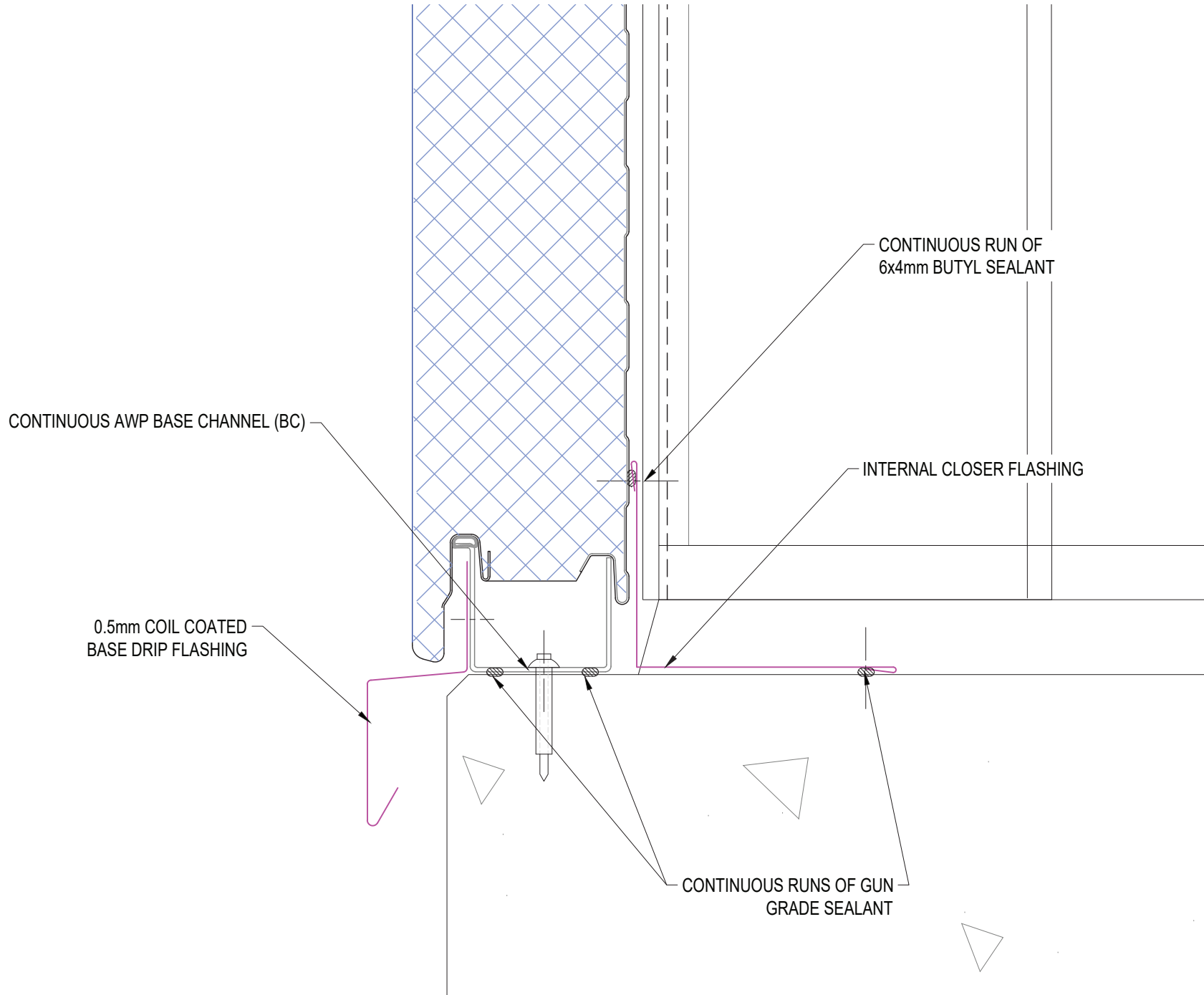
SYSTEM KS1000EVO WALL HORIZONTAL_STD Q1 2024		
DESCRIPTION EVO WALL BASE STEP		
APPROVED BY JS	DATE 08.03.24	REVISION -
DRG REF: EVO_HS_16	SCALE 1:2	PAPER SIZE A4

This document remains the property of Kingspan Ltd under copyright laws. Licence is granted to use this document and its contents in connection with Kingspan Ltd products only.  
©Kingspan Ltd

DO NOT SCALE. IF IN DOUBT ASK

New Zealand: Kingspan Ltd  
 97 Montreal St, Christchurch, Tel: 03 260 6530, Freephone: 0800 121280  
 email: info@kingspanpanels.co.nz www.kingspanpanels.co.nz

# EVO WALL BASE CHANNEL DETAIL



CONTINUOUS AWP BASE CHANNEL (BC)

CONTINUOUS RUN OF  
6x4mm BUTYL SEALANT

INTERNAL CLOSER FLASHING

0.5mm COIL COATED  
BASE DRIP FLASHING

CONTINUOUS RUNS OF GUN  
GRADE SEALANT

SYSTEM KS1000EVO WALL HORIZONTAL_STD Q1 2024		
DESCRIPTION EVO WALL BASE CHANNEL DETAIL		
APPROVED BY JS	DATE 08.03.24	REVISION -
DRG REF: EVO_HS_17	SCALE 1:2	PAPER SIZE A4

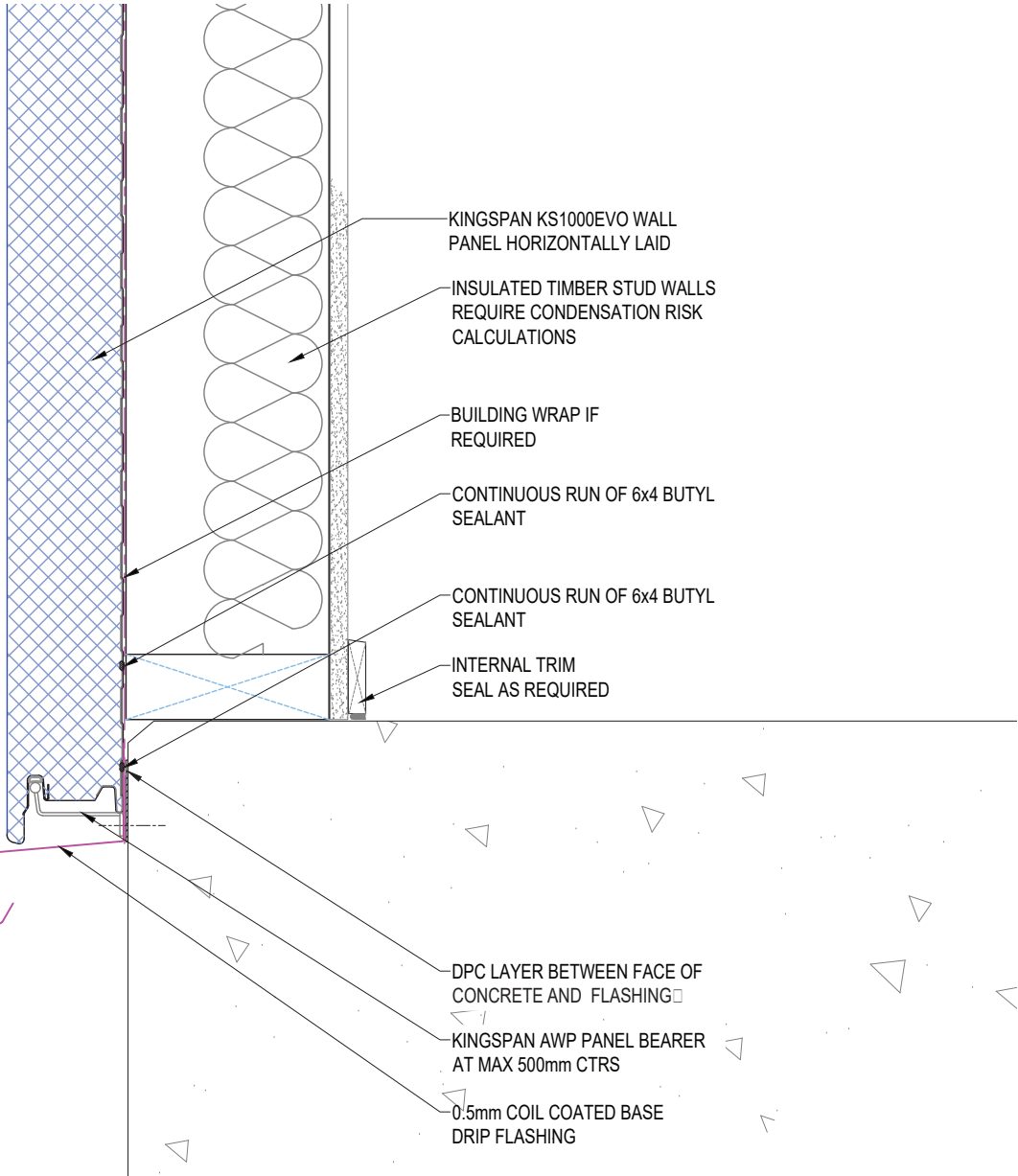
This document remains the property of Kingspan Ltd under copyright laws. Licence is granted to use this document and its contents in connection with Kingspan Ltd products only.  
©Kingspan Ltd

DO NOT SCALE. IF IN DOUBT ASK



New Zealand: Kingspan Ltd  
97 Montreal St, Christchurch, Tel: 03 260 5530, Freephone: 0800 121280  
email: info@kingspanpanels.co.nz, www.kingspanpanels.co.nz

# BASE DETAIL - CAVITY DIRECT FIXED TO TIMBER



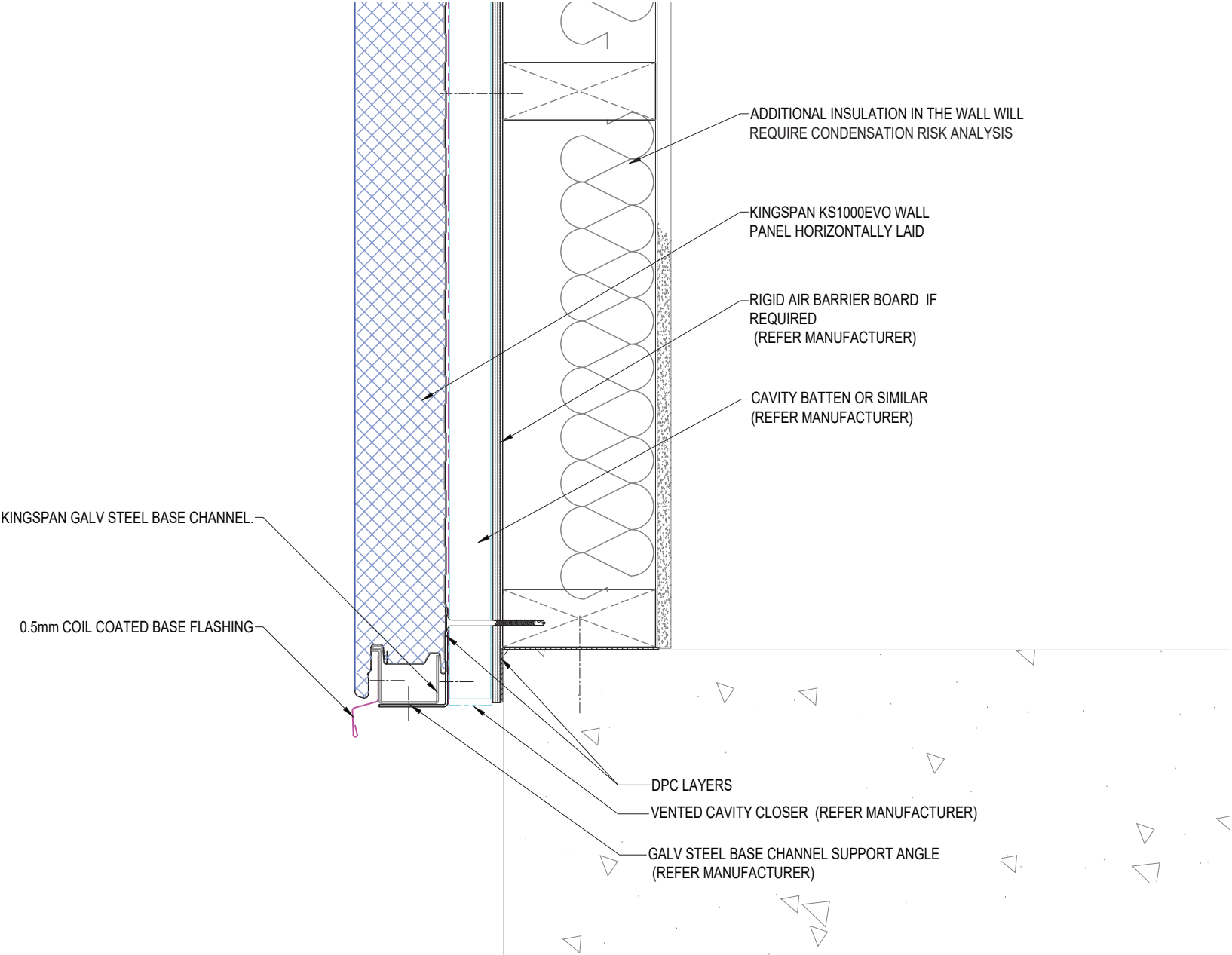
SYSTEM KS1000EVO WALL HORIZONTAL_STD Q1 2024		
DESCRIPTION BASE DETAIL - CAVITY DIRECT FIXED TO TIMBER		
APPROVED BY JS	DATE 08.03.24	REVISION -
DRG REF: EVO_HS_18	SCALE 1:5	PAPER SIZE A4

This document remains the property of Kingspan Ltd under copyright laws. Licence is granted to use this document and its contents in connection with Kingspan Ltd products only.  
 ©Kingspan Ltd

DO NOT SCALE. IF IN DOUBT ASK

New Zealand: Kingspan Ltd  
 97 Montreal St, Christchurch, Tel: 03 260 5530, Freephone: 0800 121280  
 email: info@kingspanpanels.co.nz, www.kingspanpanels.co.nz

# BASE DETAIL - CAVITY WALL ON RAB BOARD



ADDITIONAL INSULATION IN THE WALL WILL REQUIRE CONDENSATION RISK ANALYSIS

KINGSPAN KS1000EVO WALL PANEL HORIZONTALLY LAID

RIGID AIR BARRIER BOARD IF REQUIRED (REFER MANUFACTURER)

CAVITY BATTEN OR SIMILAR (REFER MANUFACTURER)

KINGSPAN GALV STEEL BASE CHANNEL

0.5mm COIL COATED BASE FLASHING

DPC LAYERS

VENTED CAVITY CLOSER (REFER MANUFACTURER)

GALV STEEL BASE CHANNEL SUPPORT ANGLE (REFER MANUFACTURER)

SYSTEM KS1000EVO WALL HORIZONTAL_STD Q1 2024		
DESCRIPTION BASE DETAIL - CAVITY WALL ON RAB BOARD		
APPROVED BY JS	DATE 08.03.24	REVISION -
DRG REF: EVO_HS_19	SCALE 1:5	PAPER SIZE A4

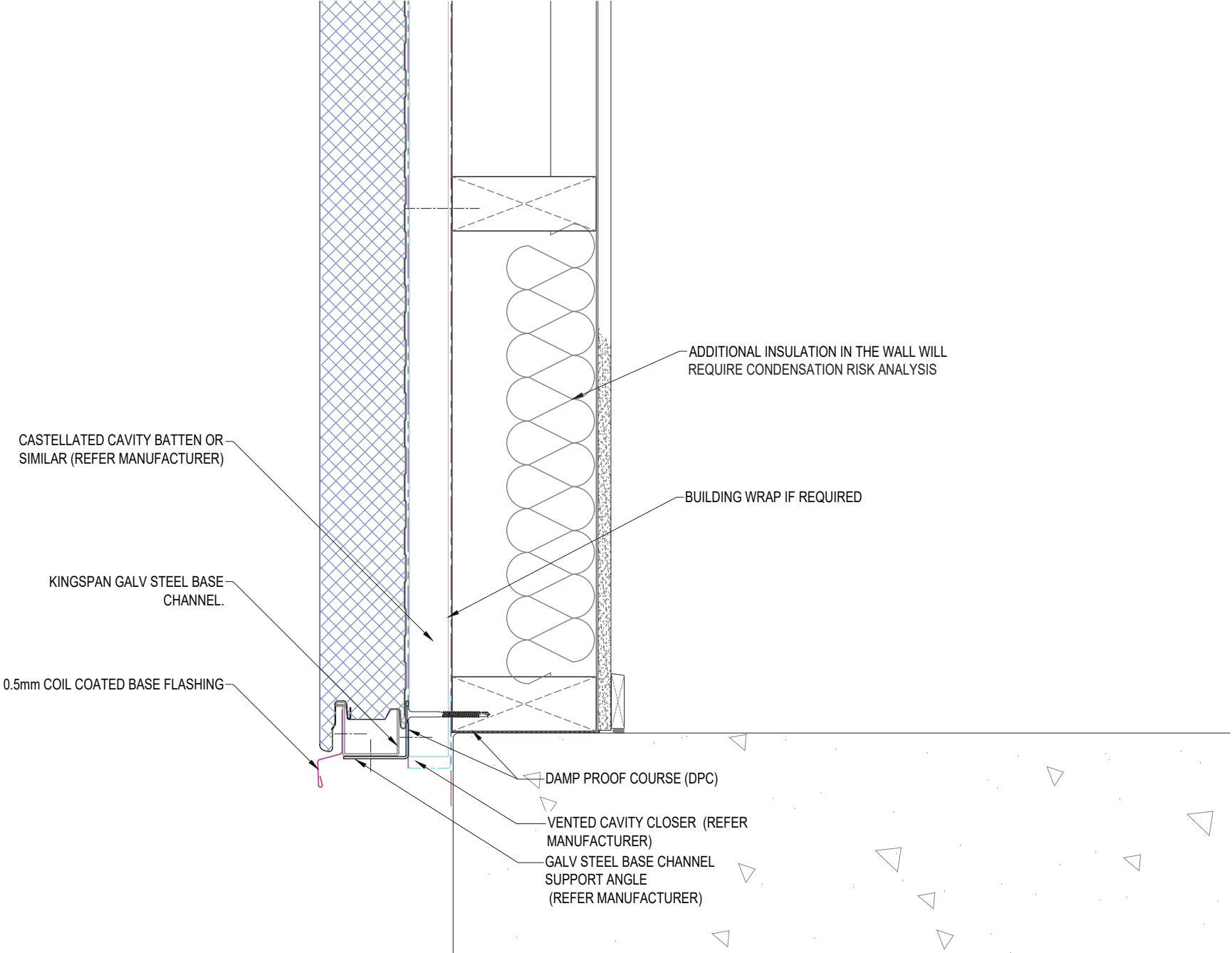
This document remains the property of Kingspan Ltd under copyright laws. Licence is granted to use this document and its contents in connection with Kingspan Ltd products only.  
©Kingspan Ltd

DO NOT SCALE. IF IN DOUBT ASK



New Zealand: Kingspan Ltd  
97 Montreal St, Christchurch, Tel: 03 260 5530, Freephone: 0800 121280  
email: info@kingspanpanels.co.nz www.kingspanpanels.co.nz

# BASE DETAIL - CAVITY WALL ON BUILDING WRAP



SYSTEM KS1000EVO WALL HORIZONTAL_STD Q1 2024		
DESCRIPTION BASE DETAIL - CAVITY WALL ON BUILDING WRAP		
APPROVED BY JS	DATE 08.03.24	REVISION -
DRG REF: EVO_HS_20	SCALE 1:5	PAPER SIZE A4

This document remains the property of Kingspan Ltd under copyright laws. Licence is granted to use this document and its contents in connection with Kingspan Ltd products only.  
©Kingspan Ltd

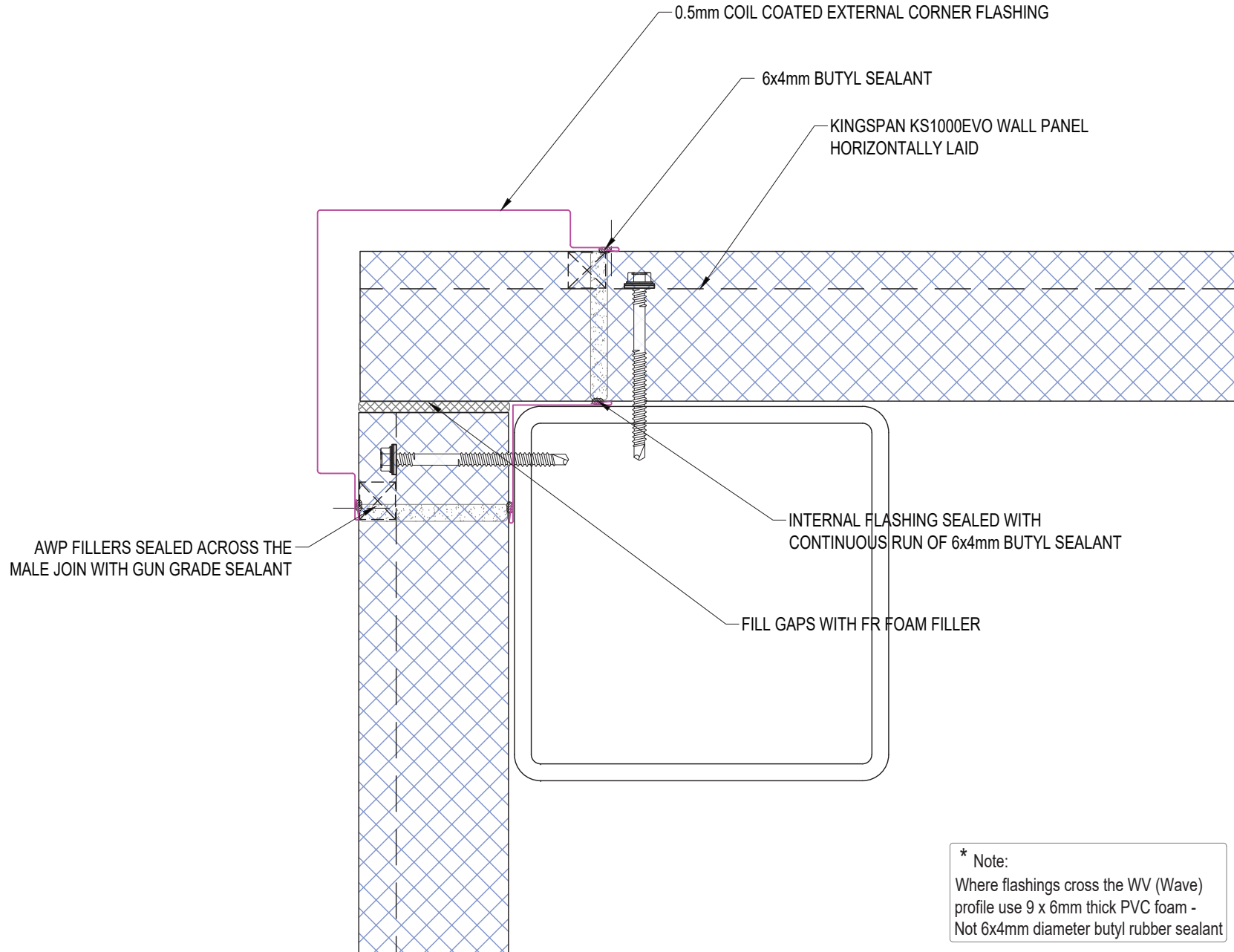
DO NOT SCALE. IF IN DOUBT ASK



New Zealand: Kingspan Ltd  
97 Montreal St, Christchurch, Tel: 03 260 5530, Freephone: 0800 121280  
email: info@kingspanpanels.co.nz www.kingspanpanels.co.nz



# EVO WALL - EXTERNAL CORNER



\* Note:  
 Where flashings cross the WV (Wave) profile use 9 x 6mm thick PVC foam -  
 Not 6x4mm diameter butyl rubber sealant

SYSTEM KS1000EVO WALL HORIZONTAL_STD Q1 2024		
DESCRIPTION EVO WALL - EXTERNAL CORNER		
APPROVED BY JS	DATE 08.03.24	REVISION -
DRG REF: EVO_HS_21	SCALE 1:3	PAPER SIZE A4

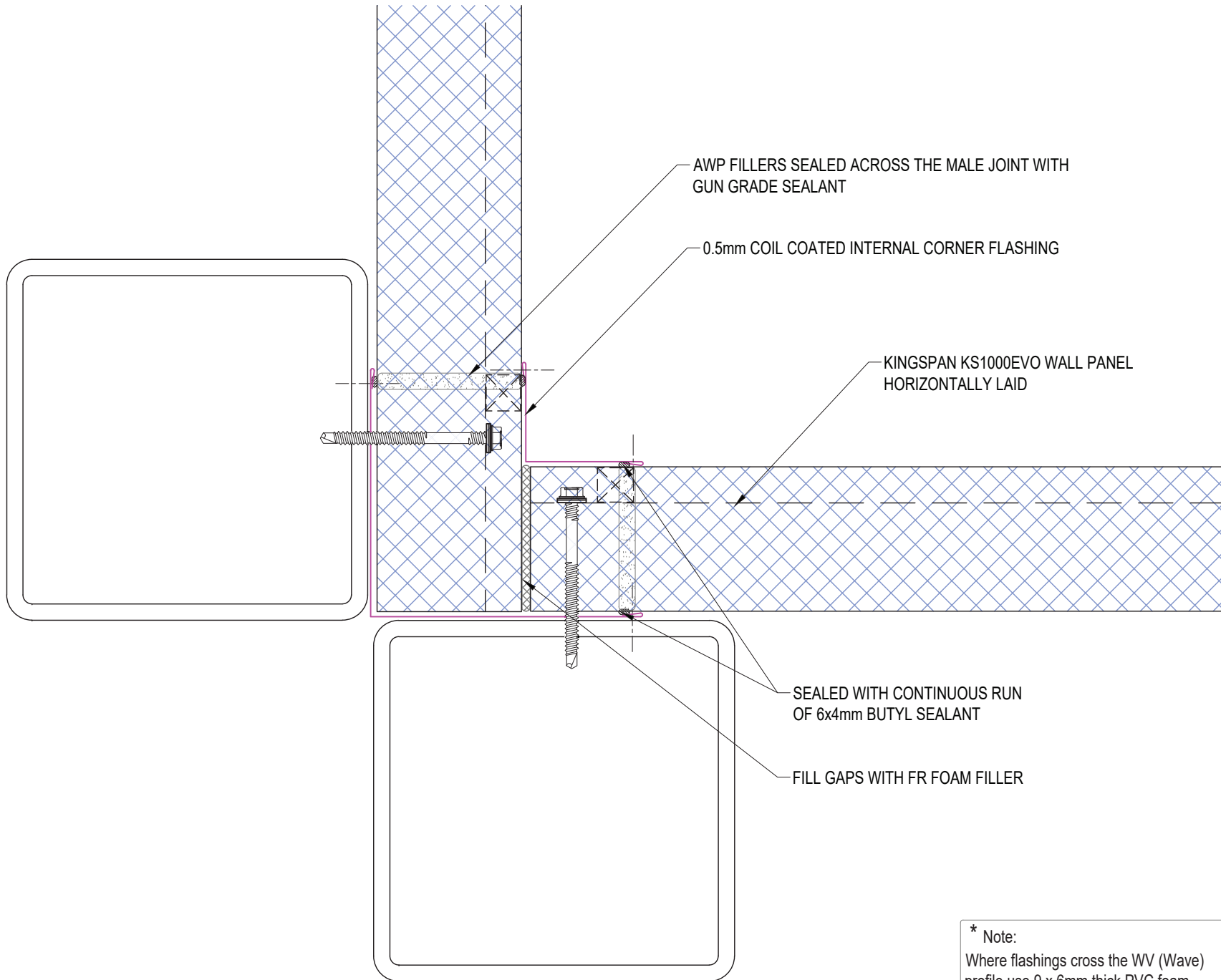
This document remains the property of Kingspan Ltd under copyright laws. Licence is granted to use this document and its contents in connection with Kingspan Ltd products only.  
 ©Kingspan Ltd

DO NOT SCALE. IF IN DOUBT ASK



New Zealand: Kingspan Ltd  
 97 Montreal St, Christchurch, Tel: 03 260 5530, Freephone: 0800 121280  
 email: info@kingspanpanels.co.nz, www.kingspanpanels.co.nz

# EVO WALL - INTERNAL CORNER



AWP FILLERS SEALED ACROSS THE MALE JOINT WITH GUN GRADE SEALANT

0.5mm COIL COATED INTERNAL CORNER FLASHING

KINGSPAN KS1000EVO WALL PANEL HORIZONTALLY LAID

SEALED WITH CONTINUOUS RUN OF 6x4mm BUTYL SEALANT

FILL GAPS WITH FR FOAM FILLER

\* Note:  
Where flashings cross the WV (Wave) profile use 9 x 6mm thick PVC foam - Not 6x4mm diameter butyl rubber sealant

SYSTEM KS1000EVO WALL HORIZONTAL_STD Q1 2024		
DESCRIPTION EVO WALL - INTERNAL CORNER		
APPROVED BY JS	DATE 08.03.24	REVISION -
DRG REF: EVO_HS_22	SCALE 1:3	PAPER SIZE A4

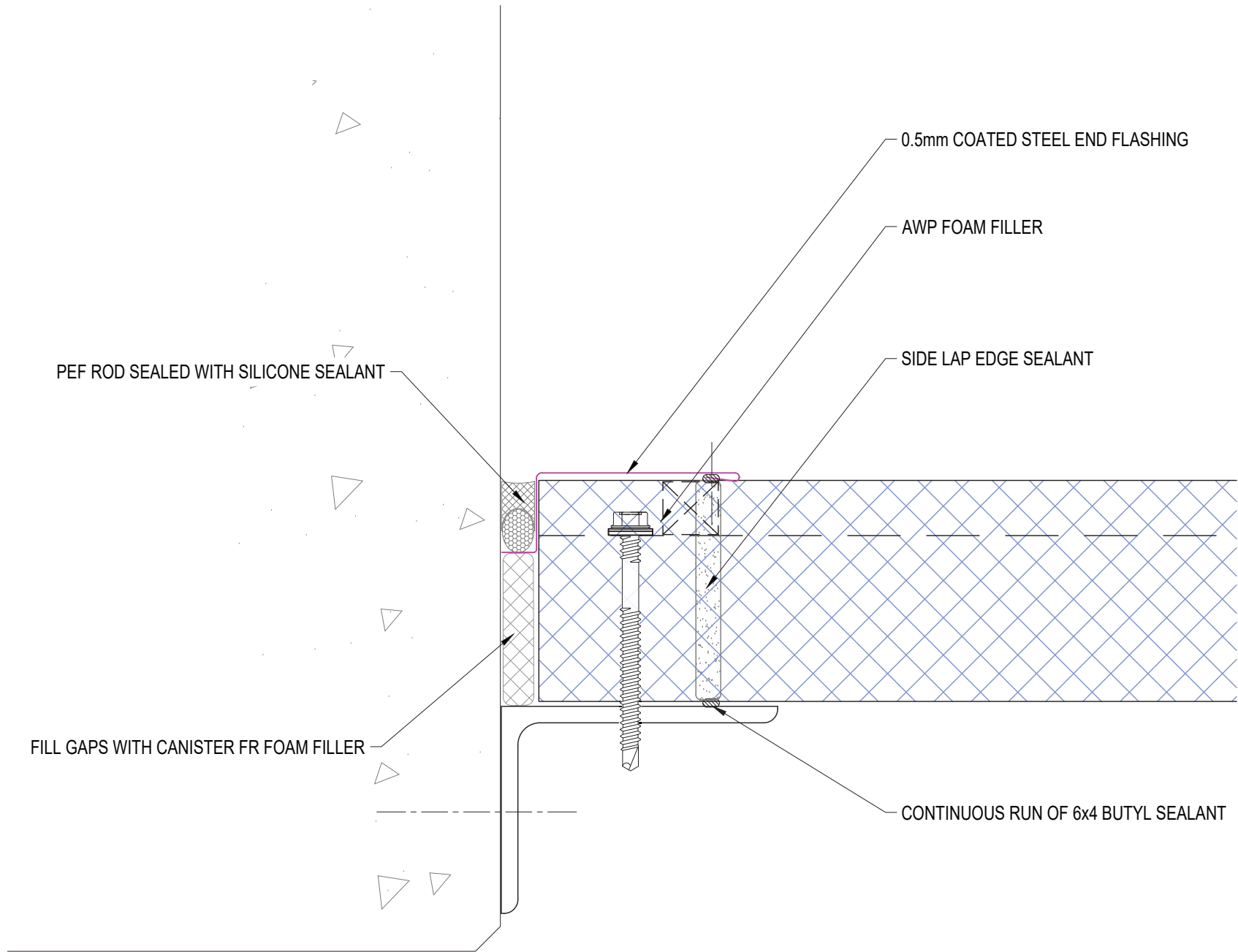
This document remains the property of Kingspan Ltd under copyright laws. Licence is granted to use this document and its contents in connection with Kingspan Ltd products only.  
©Kingspan Ltd

DO NOT SCALE. IF IN DOUBT ASK



New Zealand: Kingspan Ltd  
97 Montreal St, Christchurch, Tel: 03 260 5530, Freephone: 0800 121280  
email: info@kingspanpanels.co.nz www.kingspanpanels.co.nz

# EVO WALL FACE ABUTTING CONCRETE SLAB



SYSTEM KS1000EVO WALL HORIZONTAL_STD Q1 2024		
DESCRIPTION EVO WALL FACE ABUTTING CONCRETE SLAB		
APPROVED BY JS	DATE 08.03.24	REVISION -
DRG REF: EVO_HS_23	SCALE 1:2	PAPER SIZE A4

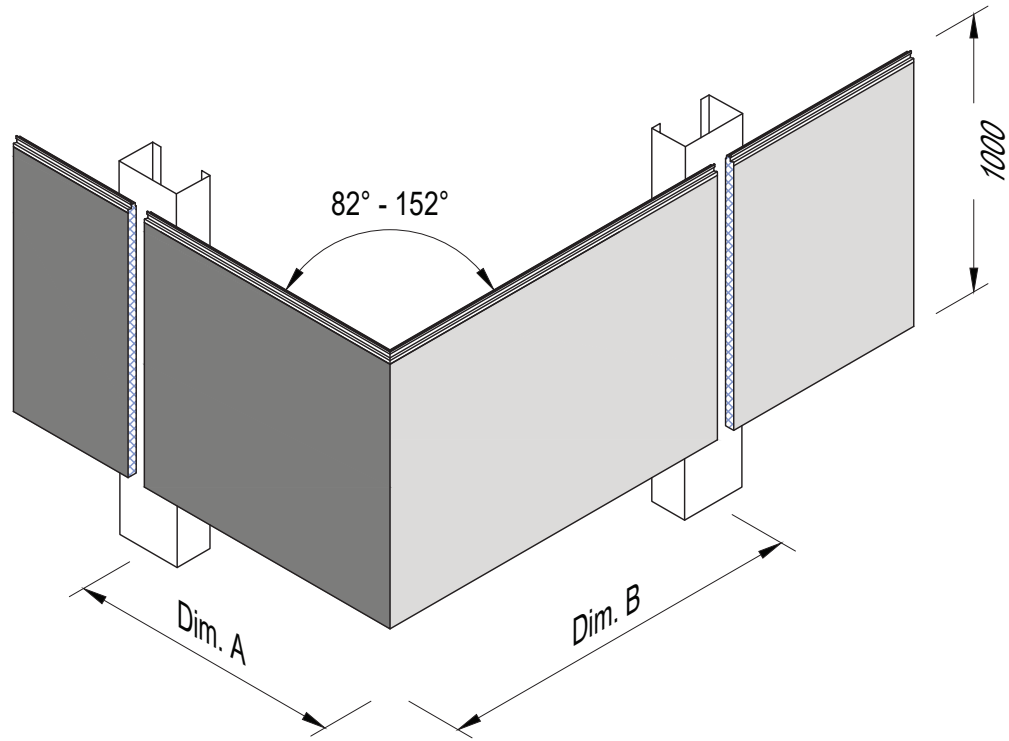
This document remains the property of Kingspan Ltd under copyright laws. Licence is granted to use this document and its contents in connection with Kingspan Ltd products only.  
©Kingspan Ltd

DO NOT SCALE. IF IN DOUBT ASK

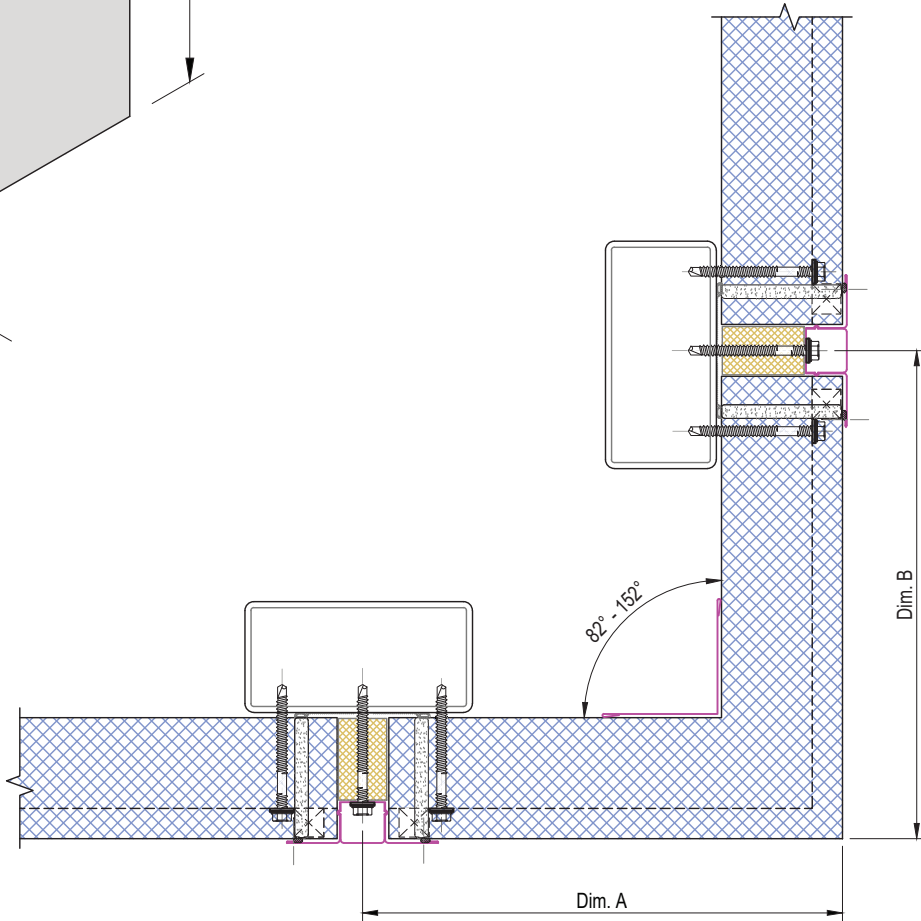


New Zealand: Kingspan Ltd  
97 Montreal St, Christchurch, Tel: 03 260 5530, Freephone: 0800 121280  
email: info@kingspanpanels.co.nz www.kingspanpanels.co.nz

# EXTERNAL SINGLE CRANK PRE-FORMED CORNER



REFER TO KINGSPAN FOR  
MAXIMUM PRACTICAL SIZES



	MINIMUM	MAXIMUM
DIMENSION A	300mm	1200mm
DIMENSION B	300mm	1200mm

**SINGLE CRANKED CORNER**  
 ALL ABOVE DIMENSIONS ARE TO THE EXTERNAL FACE OF THE PANEL.  
 INTERNAL ANGLES = 82 DEG. TO 152 DEG.  
 MAXIMUM LENGTH OF TOTAL CRANK MUST NOT EXCEED 2400MM. MAX UNSUPPORTED CANTILEVER IS 1000MM.

Available for panel thickness	
50 EVO	YES
80 EVO	YES
100 EVO	YES
140 EVO	NO

AVAILABLE FOR: KS900, KS1000 EVOLUTION AXIS  
 NOT AVAILABLE FOR: KS1000EG

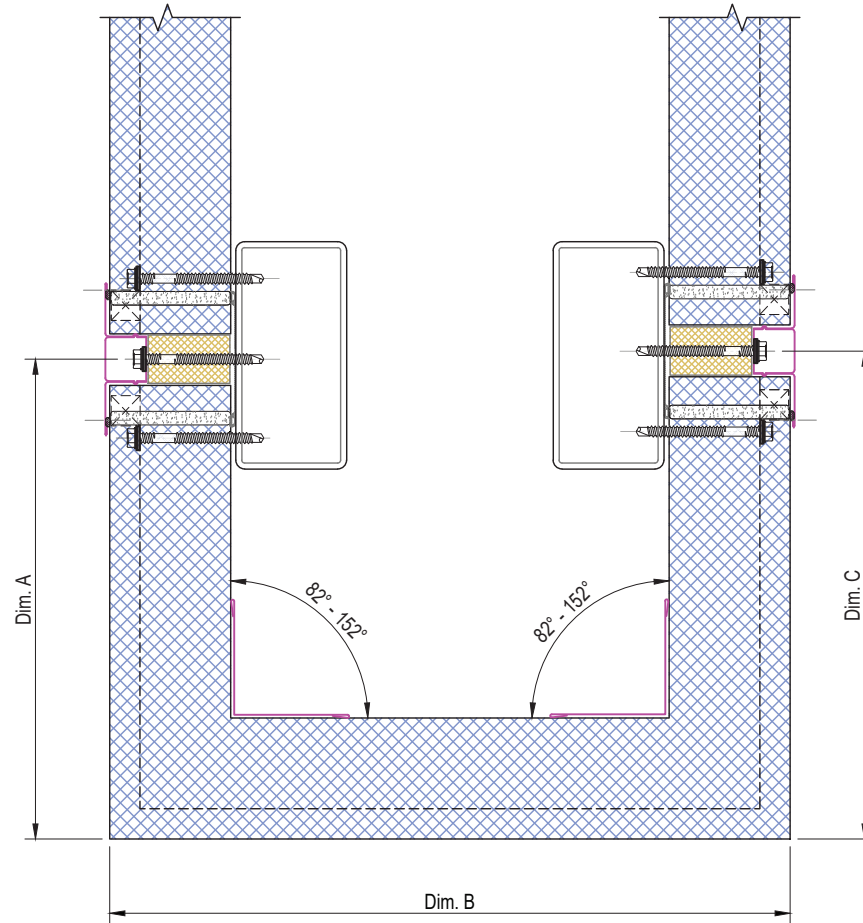
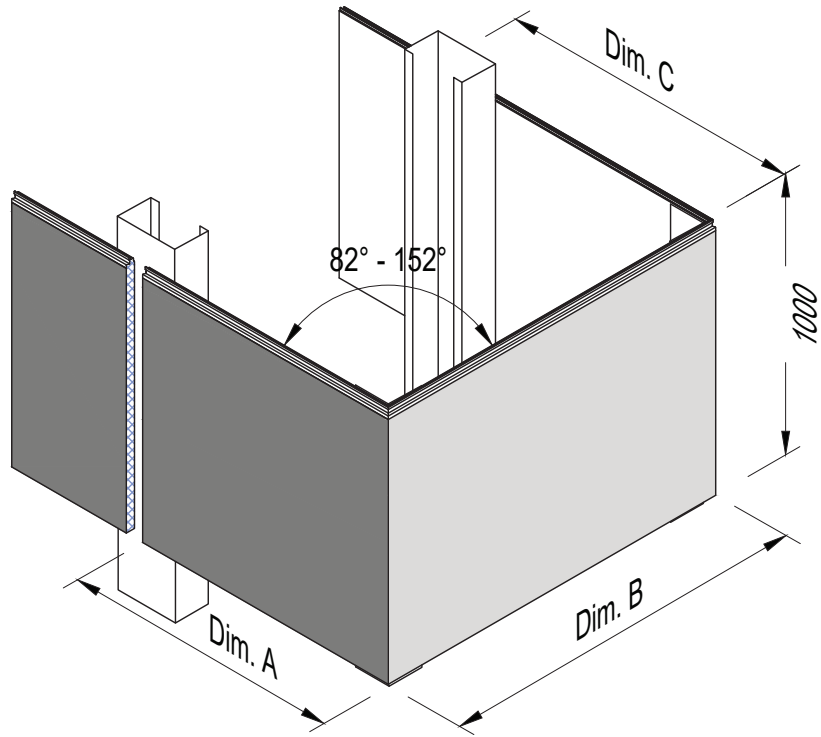
SYSTEM KS1000EVO WALL HORIZONTAL_STD Q1 2024		
DESCRIPTION EXTERNAL SINGLE CRANK PRE-FORMED CORNER		
APPROVED BY JS	DATE 08.03.24	REVISION -
DRG REF. EVO_HS_24	SCALE 1:5	PAPER SIZE A4

This document remains the property of Kingspan Ltd under copyright laws. Licence is granted to use this document and its contents in connection with Kingspan Ltd products only.  
 ©Kingspan Ltd

DO NOT SCALE. IF IN DOUBT ASK

New Zealand: Kingspan Ltd  
 97 Montreal St, Christchurch, Tel: 03 260 5530, Freephone: 0800 121280  
 email: info@kingspanpanels.co.nz www.kingspanpanels.co.nz

# EXTERNAL DOUBLE CRANK PRE-FORMED CORNER



	MINIMUM	MAXIMUM
DIMENSION A	300mm	1200mm
DIMENSION B	300mm	1200mm
DIMENSION C	300mm	1200mm

## DOUBLE CRANKED CORNER

ALL DIMENSIONS ARE TO THE EXTERNAL FACE OF THE PANEL.  
REFER KINGSPAN TECHNICAL FOR MAX DIMENSIONS.  
INTERNAL ANGLES = 82 deg. to 152 deg.

Available for panel thickness	
50 EVO	YES
80 EVO	YES
100 EVO	YES
140 EVO	NO

AVAILABLE FOR: KS900, KS1000 EVOLUTION AXIS  
NOT AVAILABLE FOR: KS1000EG

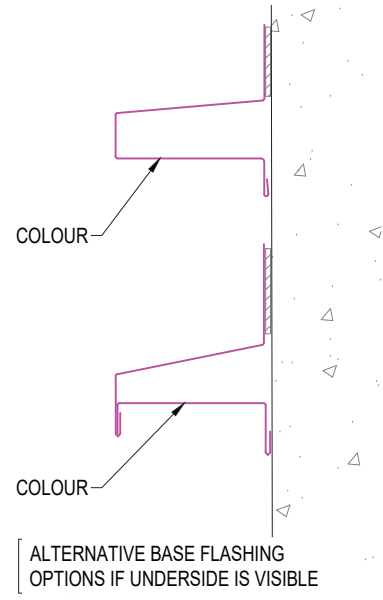
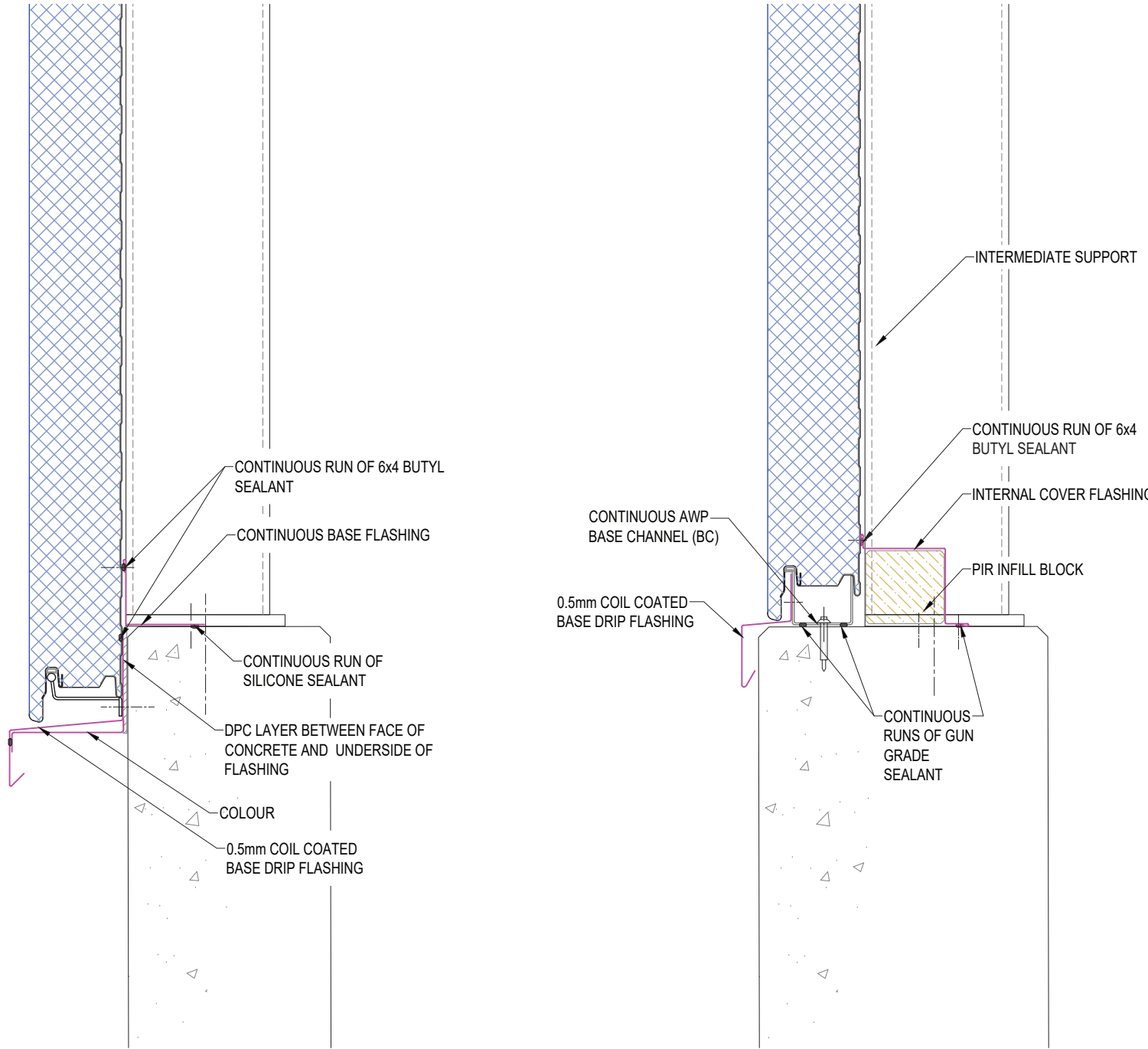
SYSTEM KS1000EVO WALL HORIZONTAL_STD Q1 2024		
DESCRIPTION EXTERNAL DOUBLE CRANK PRE-FORMED CORNER		
APPROVED BY JS	DATE 08.03.24	REVISION -
DRG REF: EVO_HS_25	SCALE N.T.S	PAPER SIZE A4

This document remains the property of Kingspan Ltd under copyright laws. Licence is granted to use this document and its contents in connection with Kingspan Ltd products only.  
©Kingspan Ltd

DO NOT SCALE. IF IN DOUBT ASK

New Zealand: Kingspan Ltd  
97 Montreal St, Christchurch, Tel: 03 260 5530, Freephone: 0800 121280  
email: info@kingspanpanels.co.nz www.kingspanpanels.co.nz

# EVO BASE DETAIL ON PRE-CAST WALL



SYSTEM KS1000EVO WALL HORIZONTAL_STD Q1 2024		
DESCRIPTION EVO BASE DETAIL ON PRE-CAST WALL		
APPROVED BY JS	DATE 08.03.24	REVISION -
DRG REF: EVO_HS_26	SCALE 1:2	PAPER SIZE A4

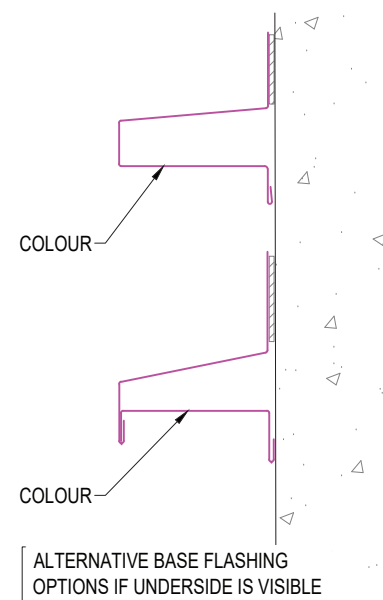
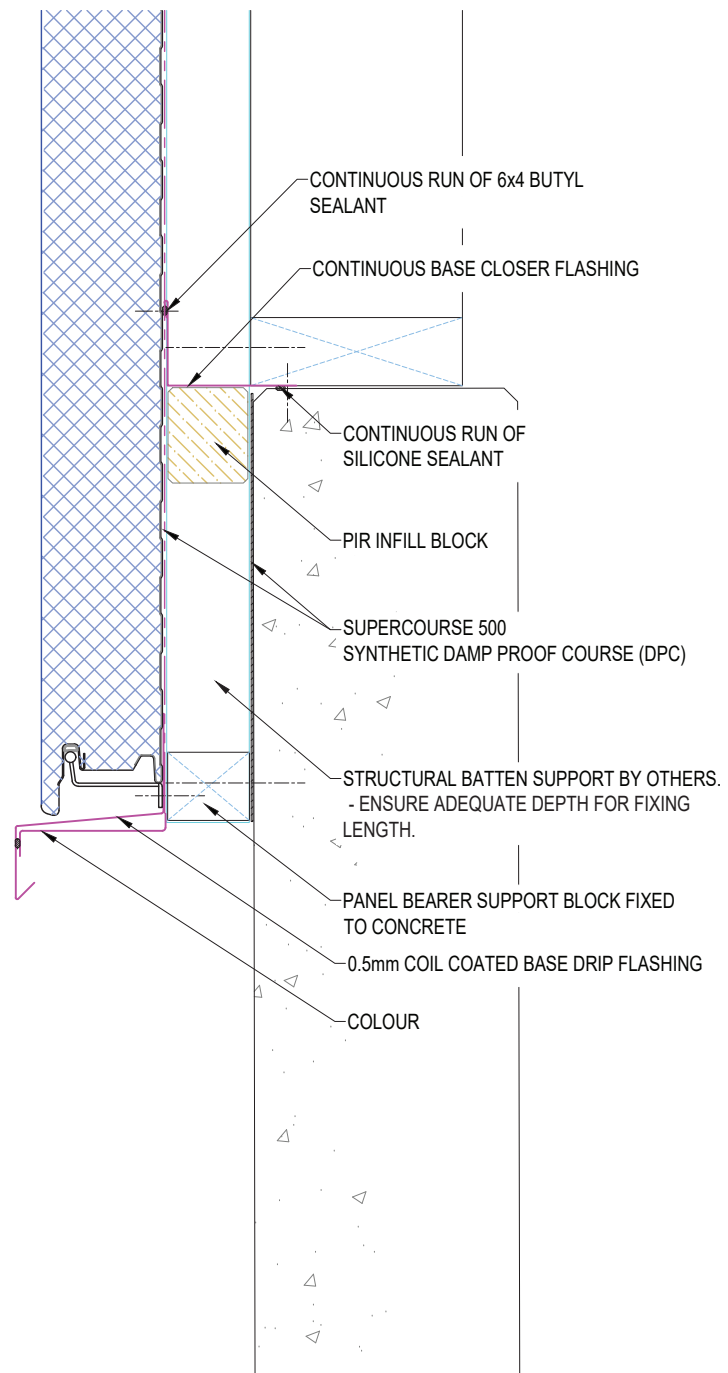
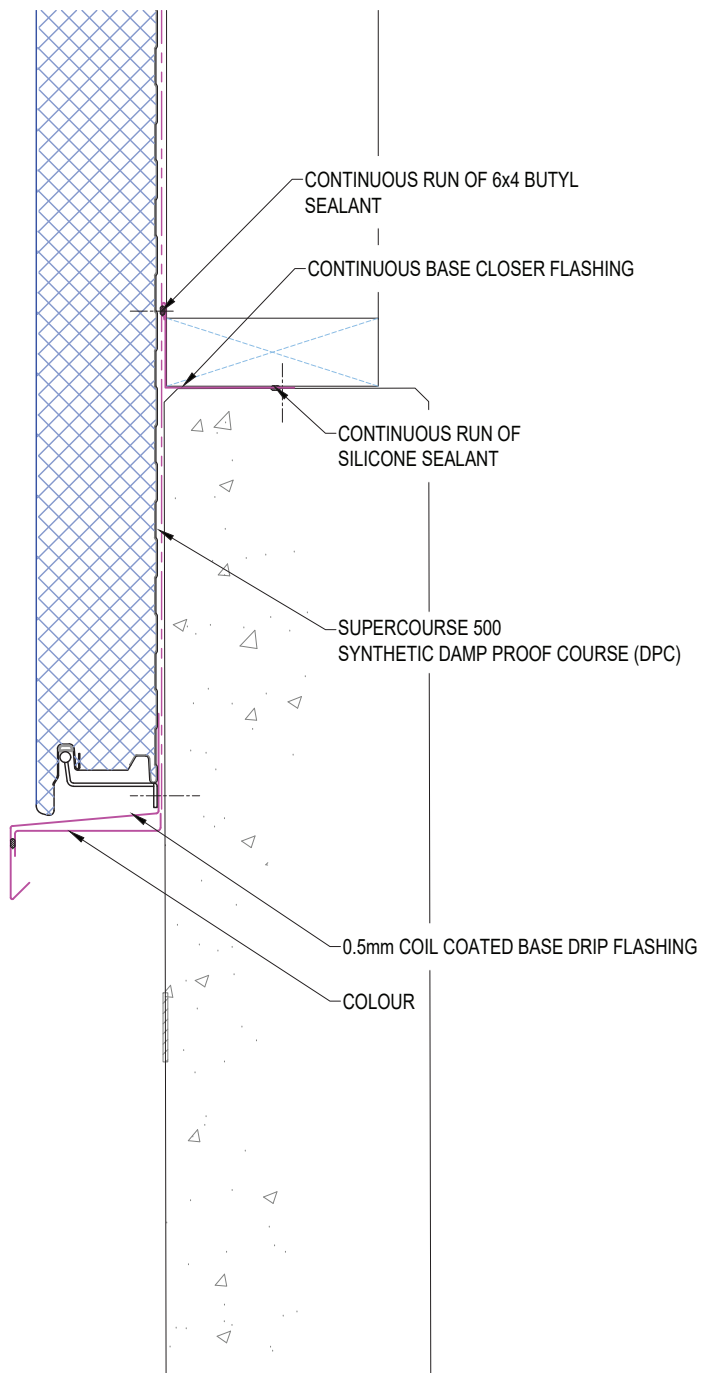
This document remains the property of Kingspan Ltd under copyright laws. Licence is granted to use this document and its contents in connection with Kingspan Ltd products only.  
©Kingspan Ltd

DO NOT SCALE. IF IN DOUBT ASK

New Zealand: Kingspan Ltd  
97 Montreal St, Christchurch, Tel: 03 260 5530, Freephone: 0800 121280  
email: info@kingspanpanels.co.nz www.kingspanpanels.co.nz



# EVO BASE DETAIL ON PRE-CAST WALL



SYSTEM KS1000EVO WALL HORIZONTAL_STD Q1 2024		
DESCRIPTION EVO BASE DETAIL ON PRE-CAST WALL		
APPROVED BY JS	DATE 08.03.24	REVISION -
DRG REF: EVO_HS_27	SCALE 1:2	PAPER SIZE A4

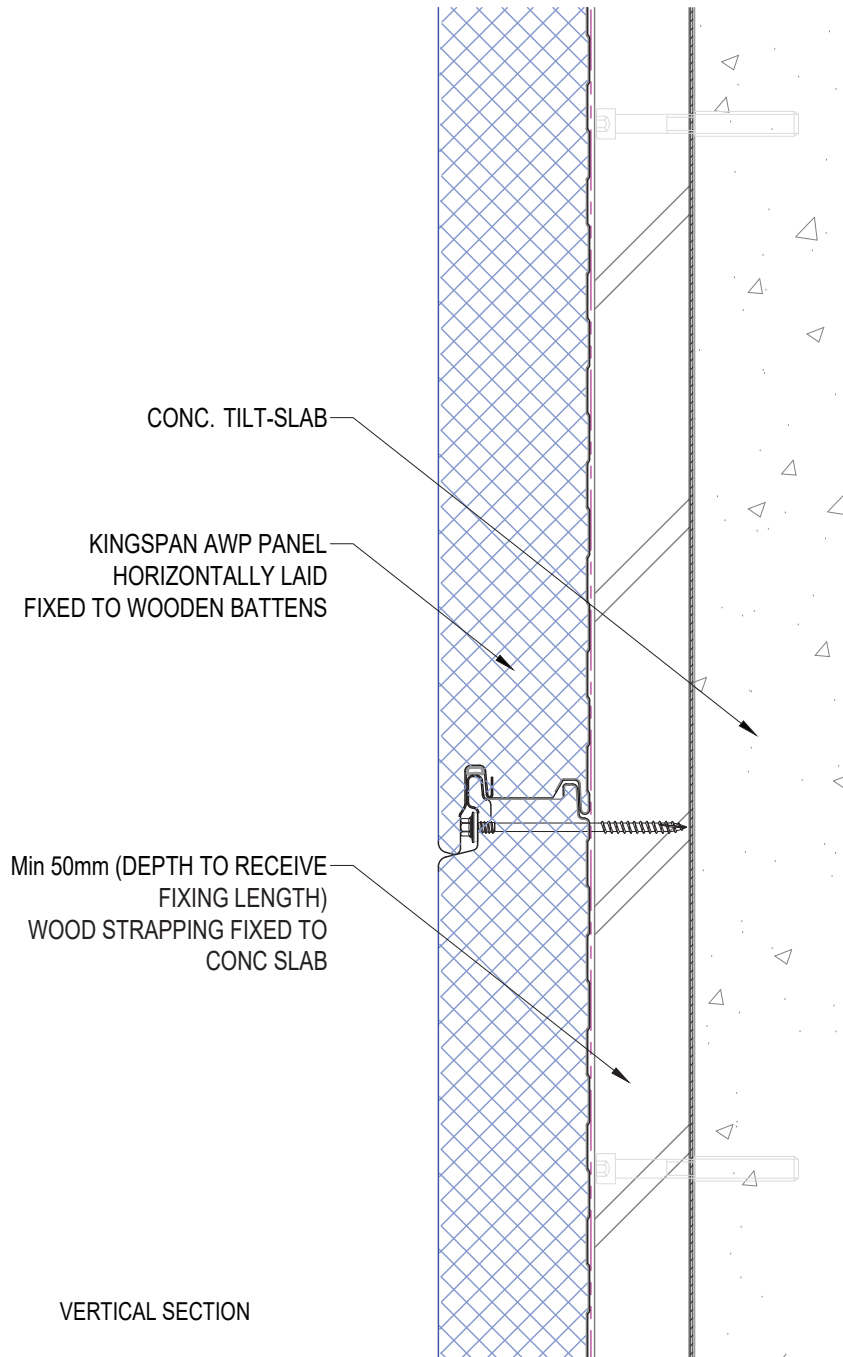
This document remains the property of Kingspan Ltd under copyright laws. Licence is granted to use this document and its contents in connection with Kingspan Ltd products only.  
©Kingspan Ltd

DO NOT SCALE. IF IN DOUBT ASK



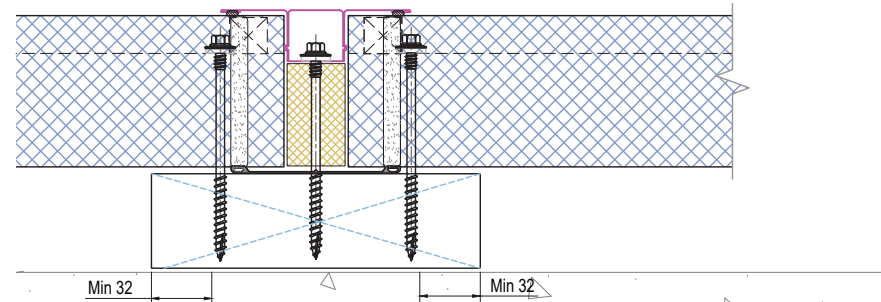
New Zealand: Kingspan Ltd  
97 Montreal St, Christchurch, Tel. 03 290 5530, Freephone: 0800 121280  
email: info@kingspanpanels.co.nz www.kingspanpanels.co.nz

# PANEL FIXED TO CONCRETE SLAB

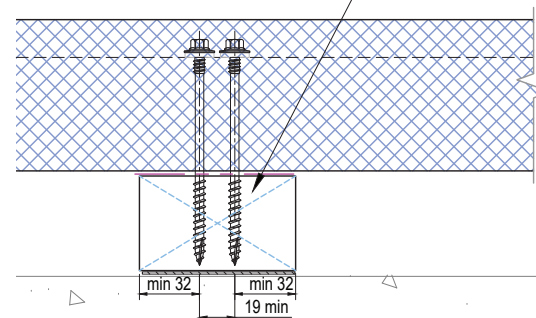


PLAN\_1

RECOMMENDED FASTENER LOCATIONS  
(SINGLE FASTENERS)



MIN TIMBER THICKNESS, 50mm  
ENSURE ADEQUATE TIMBER THICKNESS  
FOR SPECIFIED FIXING LENGTH (REFER  
FIXING SUPPLIER)



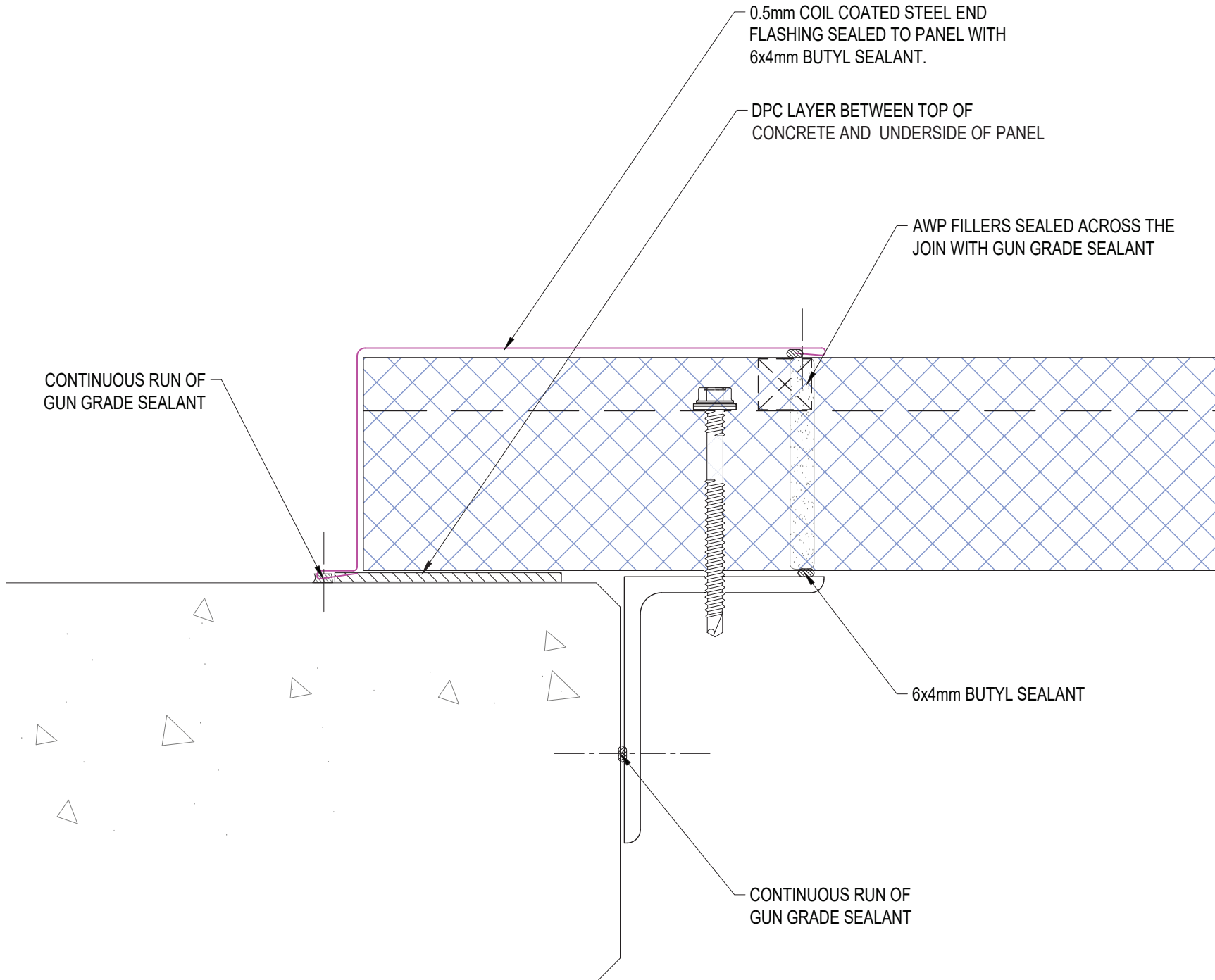
PLAN\_2

SYSTEM KS1000EVO WALL HORIZONTAL_STD Q1 2024		
DESCRIPTION PANEL FIXED TO CONCRETE SLAB		
APPROVED BY JS	DATE 08.03.24	REVISION -
DRG REF: EVO_HS_28	SCALE NTS	PAPER SIZE A4
This document remains the property of Kingspan Ltd under copyright laws. Licence is granted to use this document and its contents in connection with Kingspan Ltd products only. ©Kingspan Ltd		

DO NOT SCALE. IF IN DOUBT ASK

New Zealand: Kingspan Ltd  
97 Montreal St, Christchurch, Tel: 03 260 5530, Freephone: 0800 121280  
email: info@kingspanpanels.co.nz www.kingspanpanels.co.nz

# EVO WALL FACE FIXED OVER CONCRETE



SYSTEM KS1000EVO WALL HORIZONTAL_STD Q1 2024		
DESCRIPTION EVO WALL FACE FIXED OVER CONCRETE		
APPROVED BY JS	DATE 08.03.24	REVISION -
DRG REF: EVO_HS_29	SCALE 1:2	PAPER SIZE A4

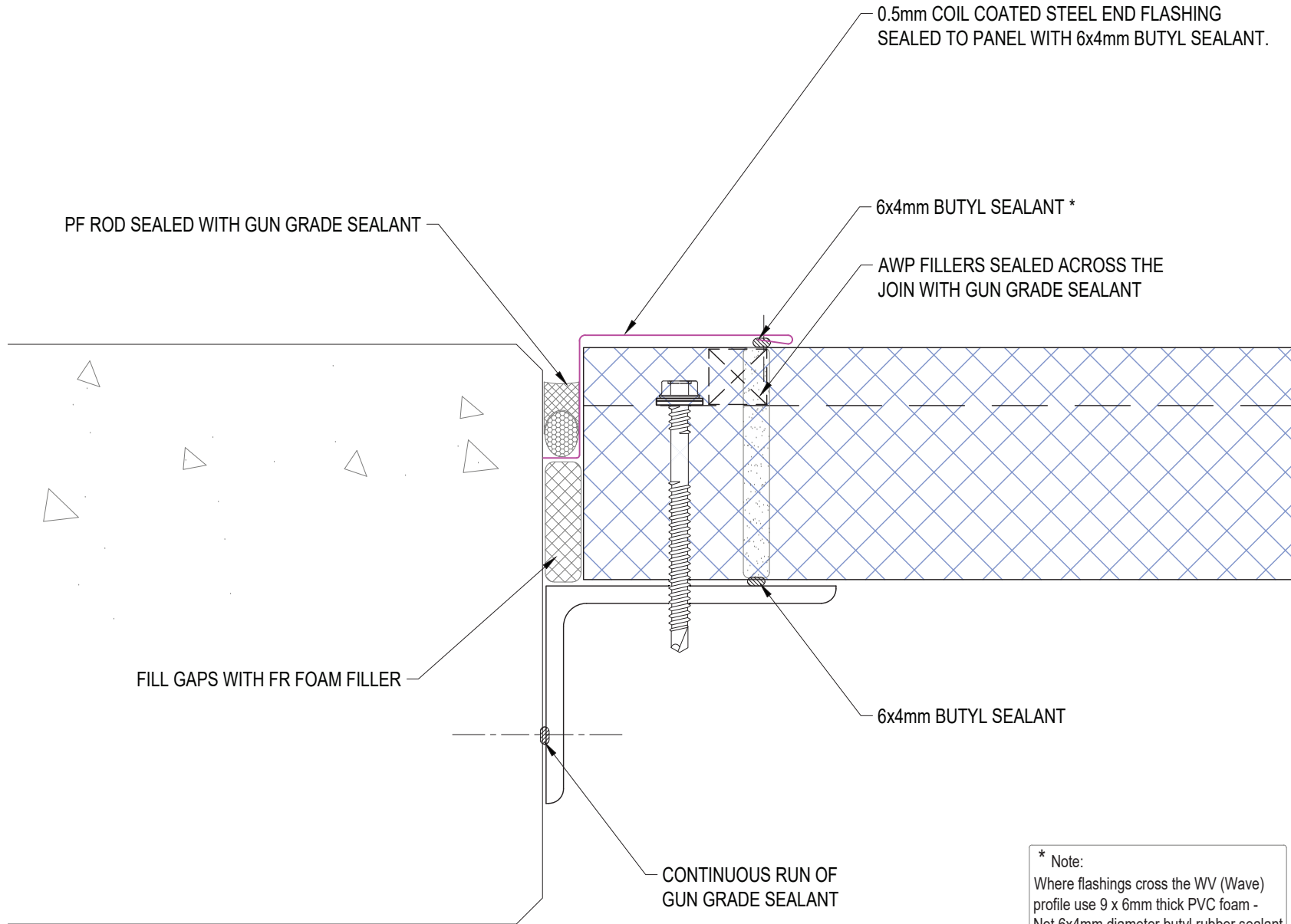
This document remains the property of Kingspan Ltd under copyright laws. Licence is granted to use this document and its contents in connection with Kingspan Ltd products only.  
©Kingspan Ltd

DO NOT SCALE. IF IN DOUBT ASK



New Zealand: Kingspan Ltd  
87 Montreal St, Christchurch, Tel: 03 260 5530, Freephone: 0800 121280  
email: info@kingspanpanels.co.nz www.kingspanpanels.co.nz

# EVO WALL FACE ALIGNED WITH CONCRETE



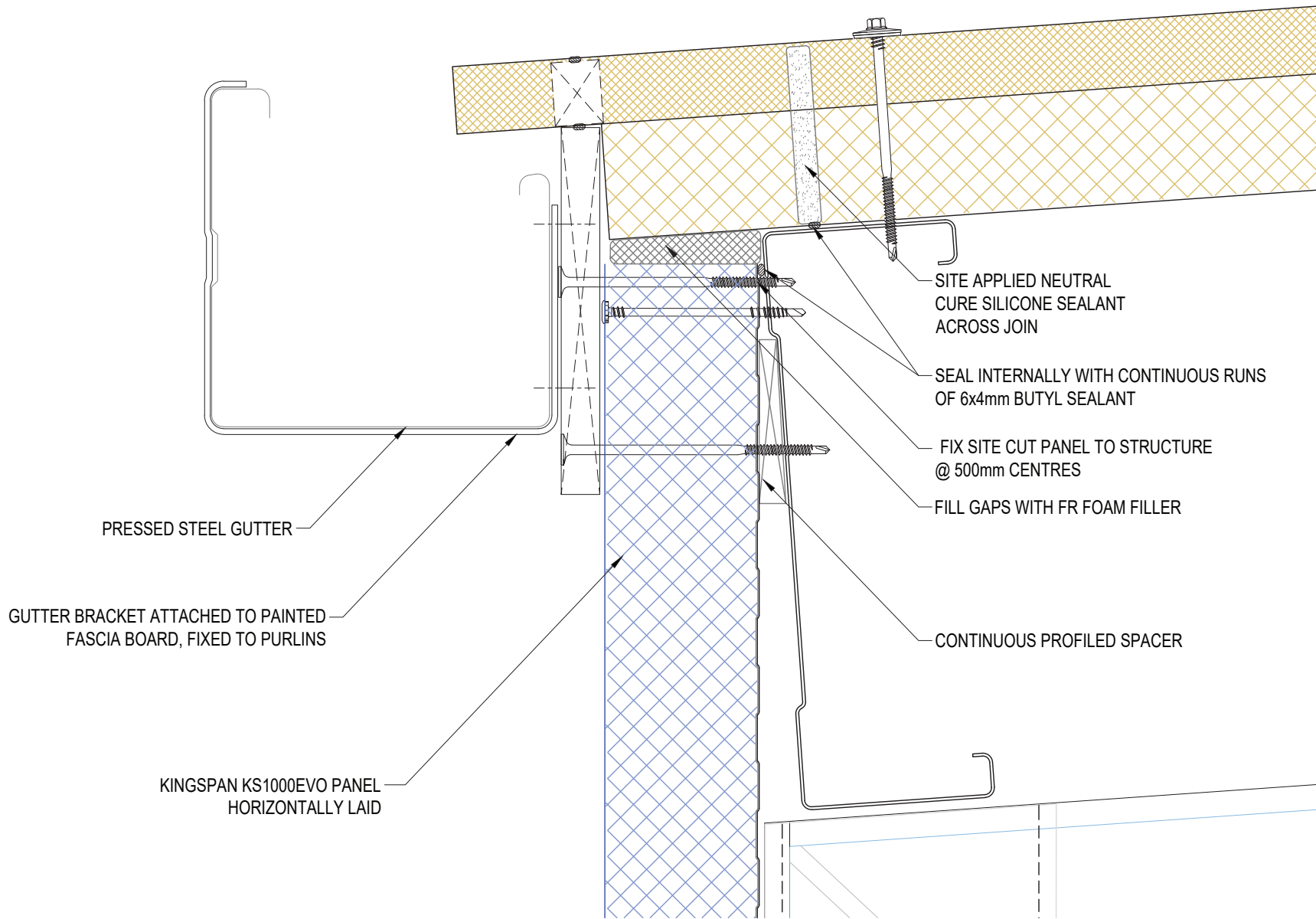
SYSTEM KS1000EVO WALL HORIZONTAL_STD Q1 2024		
DESCRIPTION EVO WALL FACE ALIGNED WITH CONCRETE		
APPROVED BY JS	DATE 08.03.24	REVISION -
DRG REF: EVO_HS_30	SCALE 1:2	PAPER SIZE A4
This document remains the property of Kingspan Ltd under copyright laws. Licence is granted to use this document and its contents in connection with Kingspan Ltd products only. ©Kingspan Ltd		

DO NOT SCALE. IF IN DOUBT ASK



New Zealand: Kingspan Ltd  
97 Montreal St, Christchurch, Tel: 03 260 5530, Freephone: 0800 121280  
email: info@kingspanpanels.co.nz www.kingspanpanels.co.nz

# EVO WALL EAVES GUTTER



SYSTEM KS1000EVO WALL HORIZONTAL_STD Q1 2024		
DESCRIPTION EVO WALL EAVES GUTTER		
APPROVED BY JS	DATE 08.03.24	REVISION -
DRG REF: EVO_HS_31	SCALE 1:3	PAPER SIZE A4

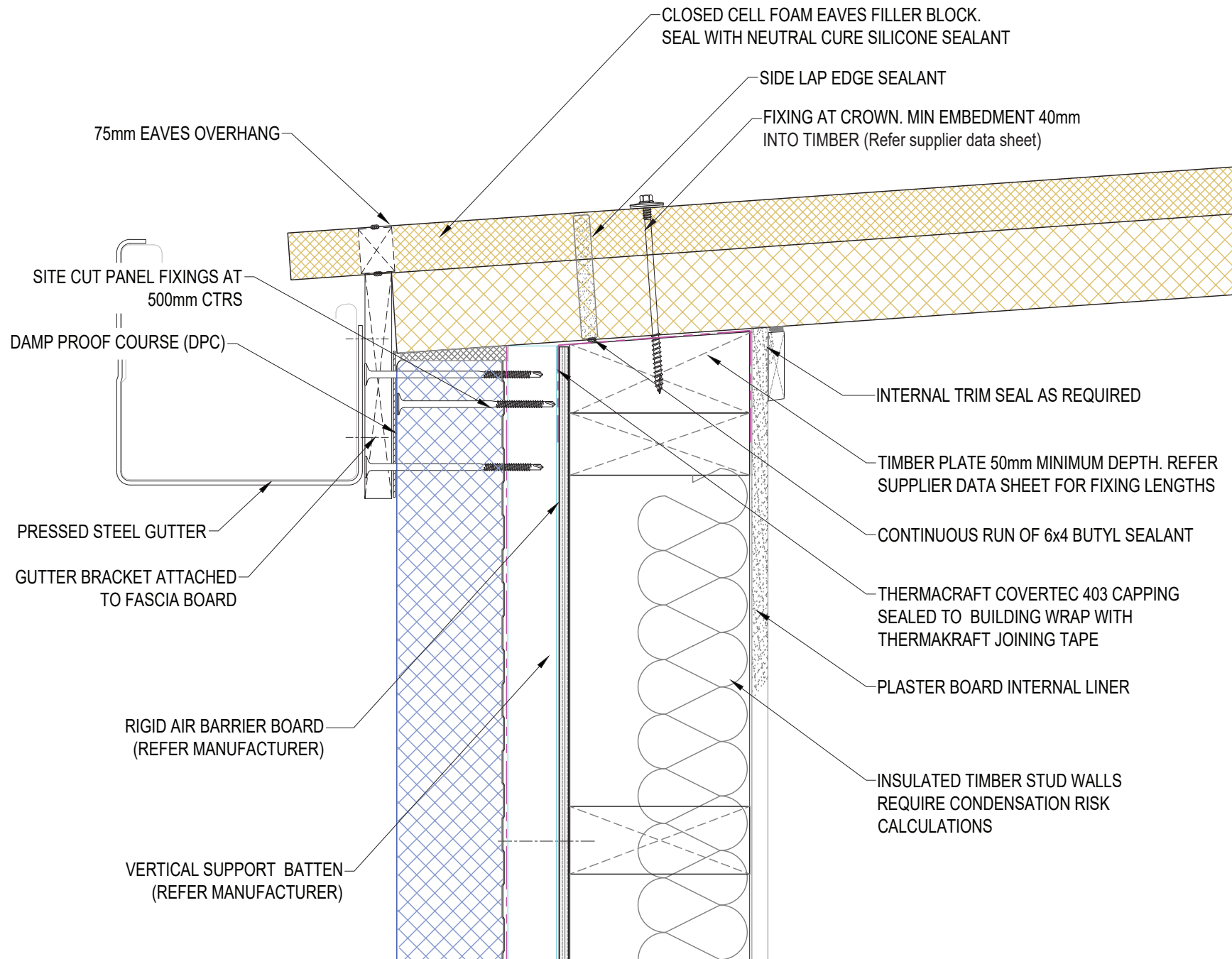
This document remains the property of Kingspan Ltd under copyright laws. Licence is granted to use this document and its contents in connection with Kingspan Ltd products only.  
©Kingspan Ltd

DO NOT SCALE. IF IN DOUBT ASK



New Zealand: Kingspan Ltd  
97 Montreal St, Christchurch, Tel: 03 260 5530, Freephone: 0800 121280  
email: info@kingspanpanels.co.nz, www.kingspanpanels.co.nz

# EAVES GUTTER - CAVITY WALL ON RAB BOARD



SYSTEM KS1000EVO WALL HORIZONTAL_STD Q1 2024		
DESCRIPTION EAVES GUTTER - CAVITY WALL ON RAB BOARD		
APPROVED BY JS	DATE 08.03.24	REVISION -
DRG REF: EVO_HS_32	SCALE 1:4	PAPER SIZE A4

This document remains the property of Kingspan Ltd under copyright laws. Licence is granted to use this document and its contents in connection with Kingspan Ltd products only.  
©Kingspan Ltd

DO NOT SCALE. IF IN DOUBT ASK



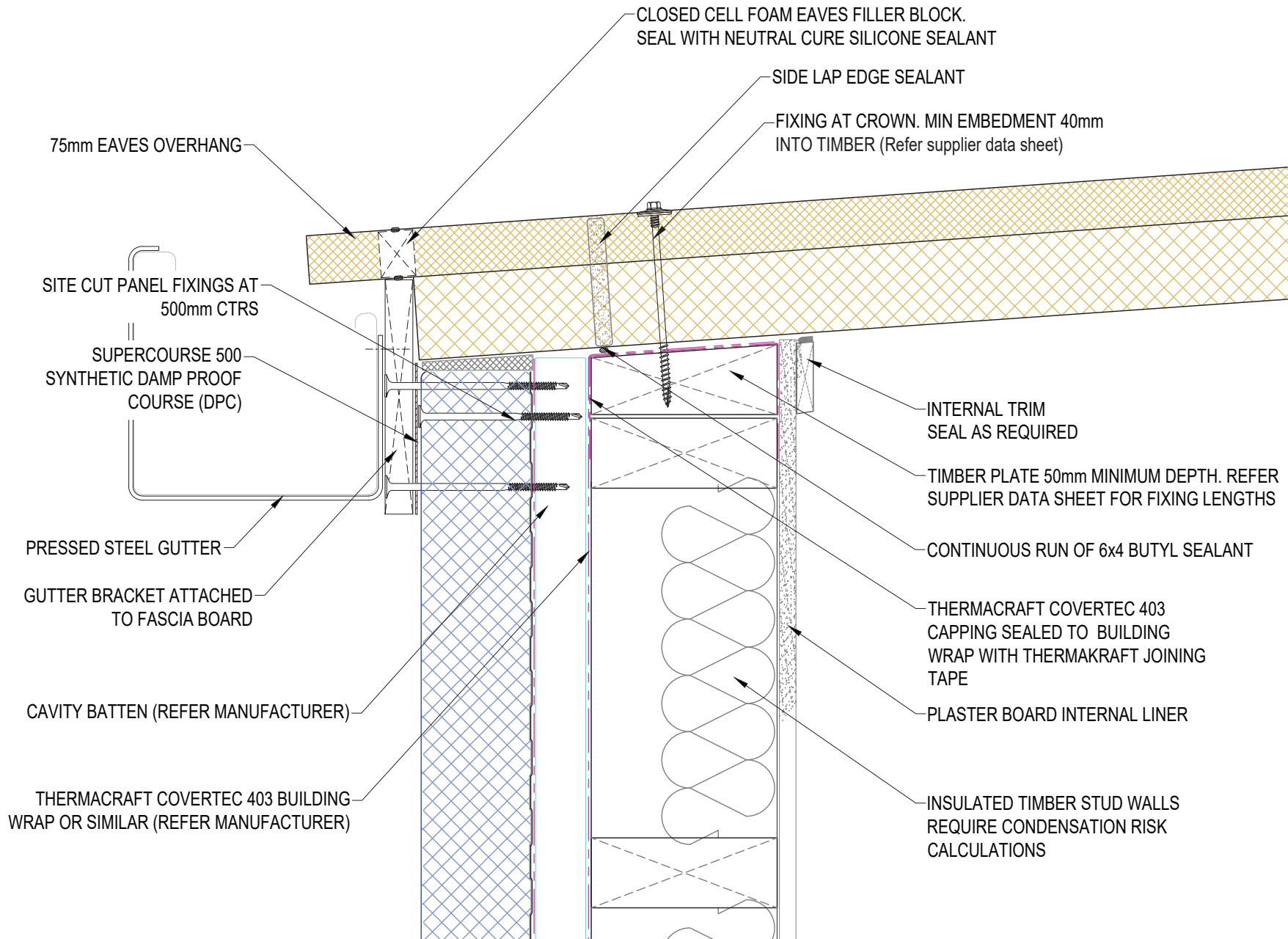
New Zealand: Kingspan Ltd  
97 Montreal St, Christchurch, Tel: 03 260 5530, Freephone: 0800 121280  
email: info@kingspanpanels.co.nz www.kingspanpanels.co.nz



# EAVES GUTTER - CAVITY WALL ON BUILDING WRAP

CONFIRM THAT THE CAVITY BATTEN CAN RESIST THE APPLIED LOADS.

IF NOT, FIX THROUGH TO THE TIMBER FRAME



SYSTEM KS1000EVO WALL HORIZONTAL_STD Q1 2024		
DESCRIPTION EAVES GUTTER - CAVITY WALL ON BUILDING WRAP		
APPROVED BY JS	DATE 08.03.24	REVISION -
DRG REF: EVO_HS_33	SCALE 1:4	PAPER SIZE A4

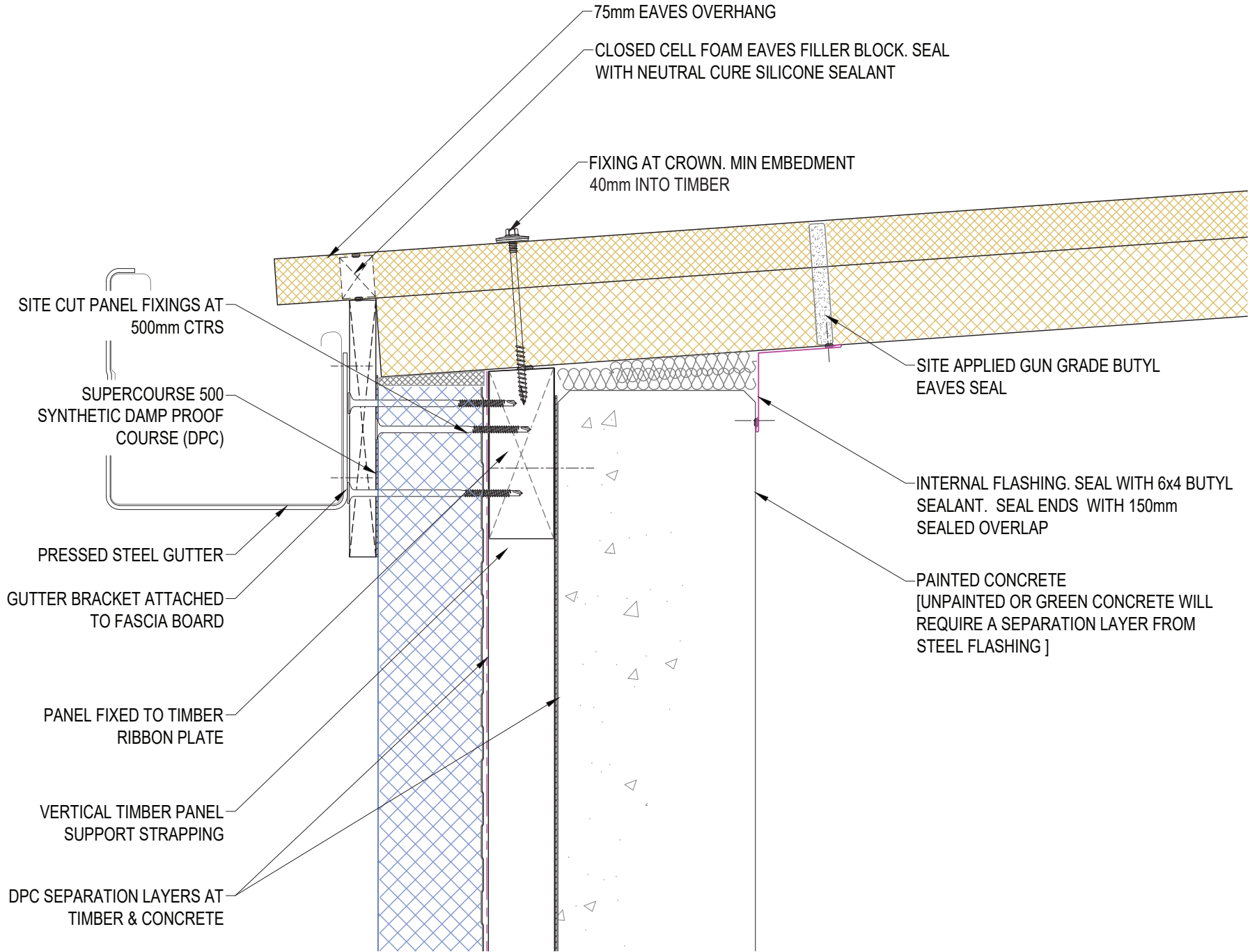
This document remains the property of Kingspan Ltd under copyright laws. Licence is granted to use this document and its contents in connection with Kingspan Ltd products only.  
©Kingspan Ltd

DO NOT SCALE. IF IN DOUBT ASK



New Zealand: Kingspan Ltd  
97 Montreal St, Christchurch, Tel: 03 260 5530, Freephone: 0800 121280  
email: info@kingspanpanels.co.nz www.kingspanpanels.co.nz

# EAVES GUTTER - ON TIMBER STRAPPING TO CONCRETE



SYSTEM KS1000EVO WALL HORIZONTAL_STD Q1 2024		
DESCRIPTION EAVES GUTTER - ON TIMBER STRAPPING TO CONCRETE		
APPROVED BY JS	DATE 08.03.24	REVISION -
DRG REF: EVO_HS_34	SCALE 1:4	PAPER SIZE A4

This document remains the property of Kingspan Ltd under copyright laws. Licence is granted to use this document and its contents in connection with Kingspan Ltd products only.  
©Kingspan Ltd

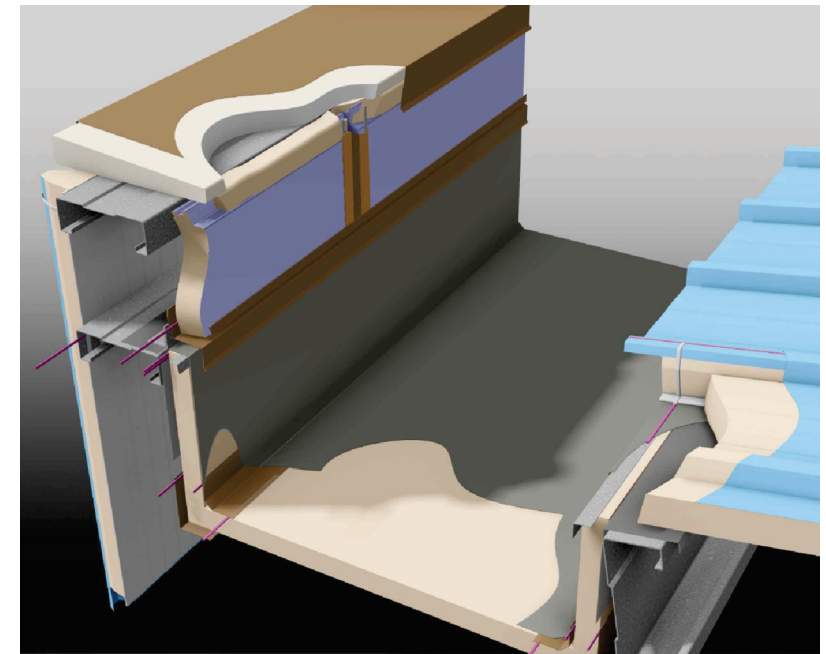
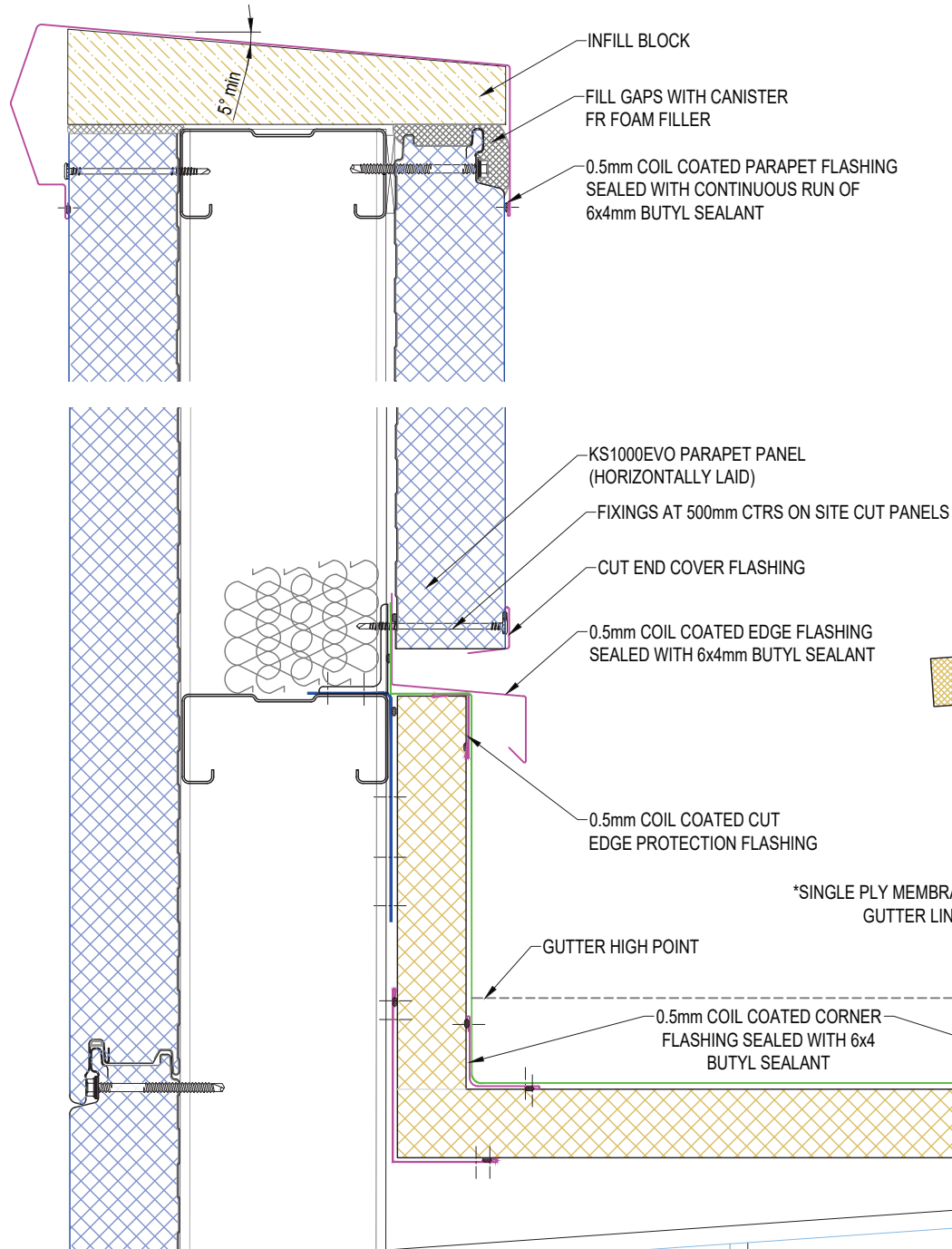
DO NOT SCALE. IF IN DOUBT ASK



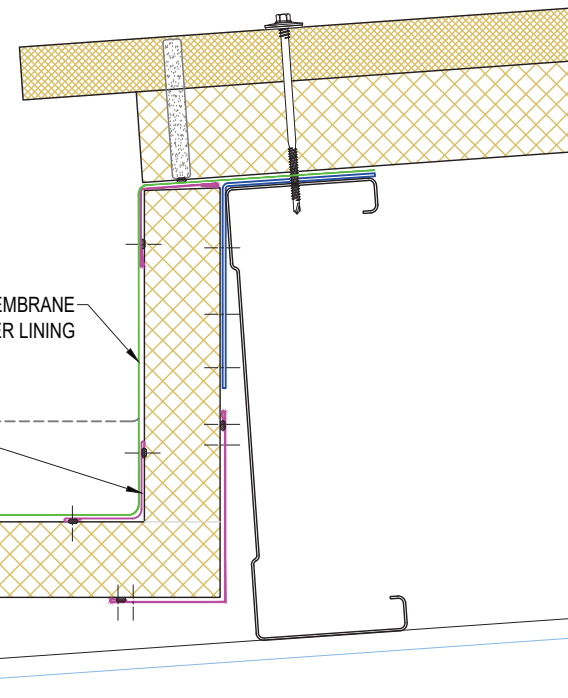
New Zealand: Kingspan Ltd  
97 Montreal St, Christchurch, Tel: 03 260 5530, Freephone: 0800 121280  
email: info@kingspanpanels.co.nz www.kingspanpanels.co.nz



# EVO WALL PARAPET GUTTER



\* REFER TO MEMBRANE SUPPLIER FOR SINGLE PLY MEMBRANE GUTTER LINING DETAILS (NOT SUITABLE FOR TORCH-ON MEMBRANE PRODUCTS)



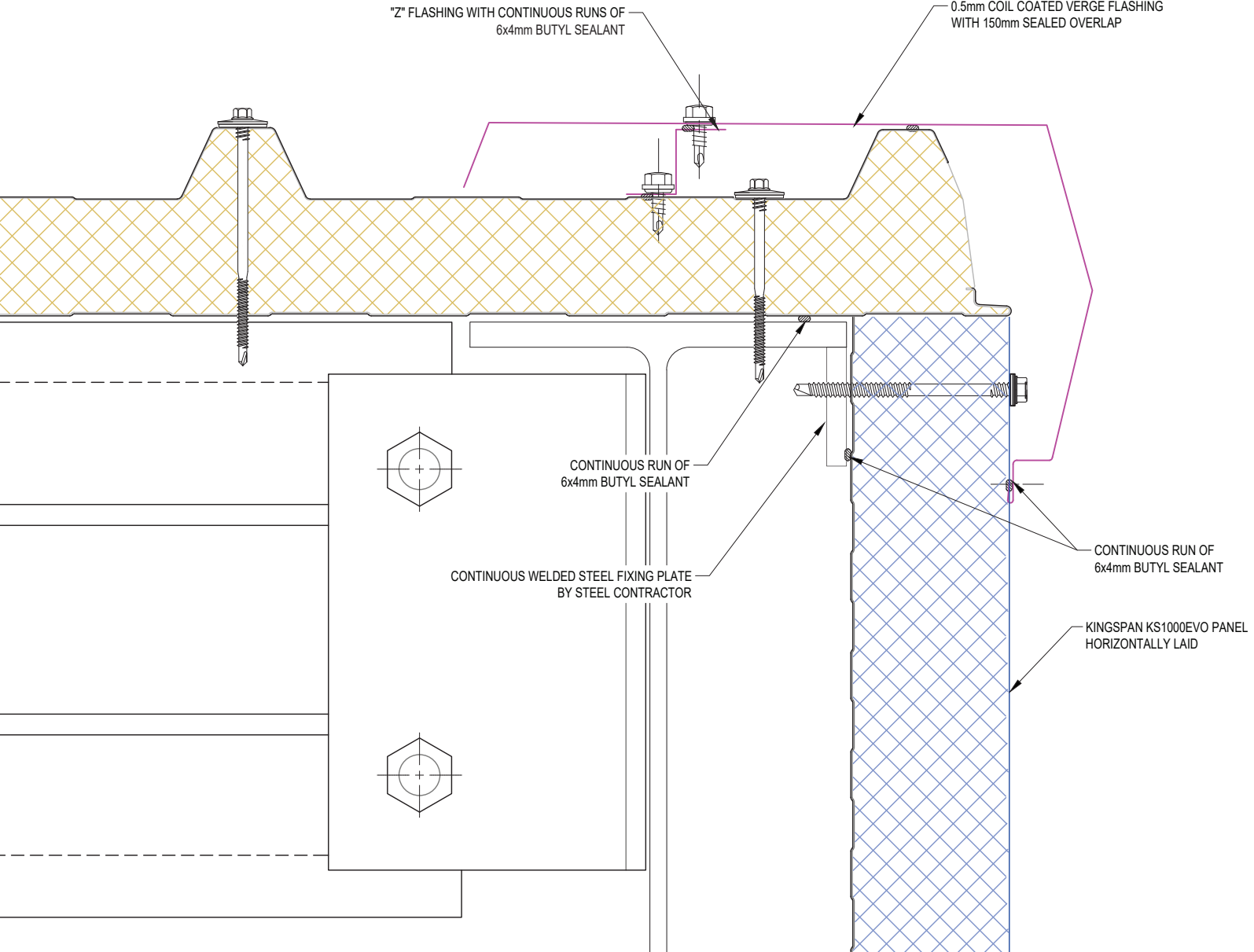
SYSTEM KS1000EVO WALL HORIZONTAL_STD Q1 2024		
DESCRIPTION EVO WALL PARAPET GUTTER		
APPROVED BY JS	DATE 08.03.24	REVISION -
DRG REF: EVO_HS_36	SCALE 1:5	PAPER SIZE A4

This document remains the property of Kingspan Ltd under copyright laws. Licence is granted to use this document and its contents in connection with Kingspan Ltd products only.  
©Kingspan Ltd

DO NOT SCALE. IF IN DOUBT ASK

New Zealand: Kingspan Ltd  
97 Montreal St, Christchurch, Tel: 03 260 5530, Freephone: 0800 121280  
email: info@kingspanpanels.co.nz www.kingspanpanels.co.nz

# EVO WALL VERGE DETAIL (RW MALE EDGE)



SYSTEM KS1000EVO WALL HORIZONTAL_STD Q1 2024		
DESCRIPTION EVO WALL VERGE DETAIL (RW MALE EDGE)		
APPROVED BY JS	DATE 08.03.24	REVISION -
DRG REF: EVO_HS_37	SCALE 1:3	PAPER SIZE A4

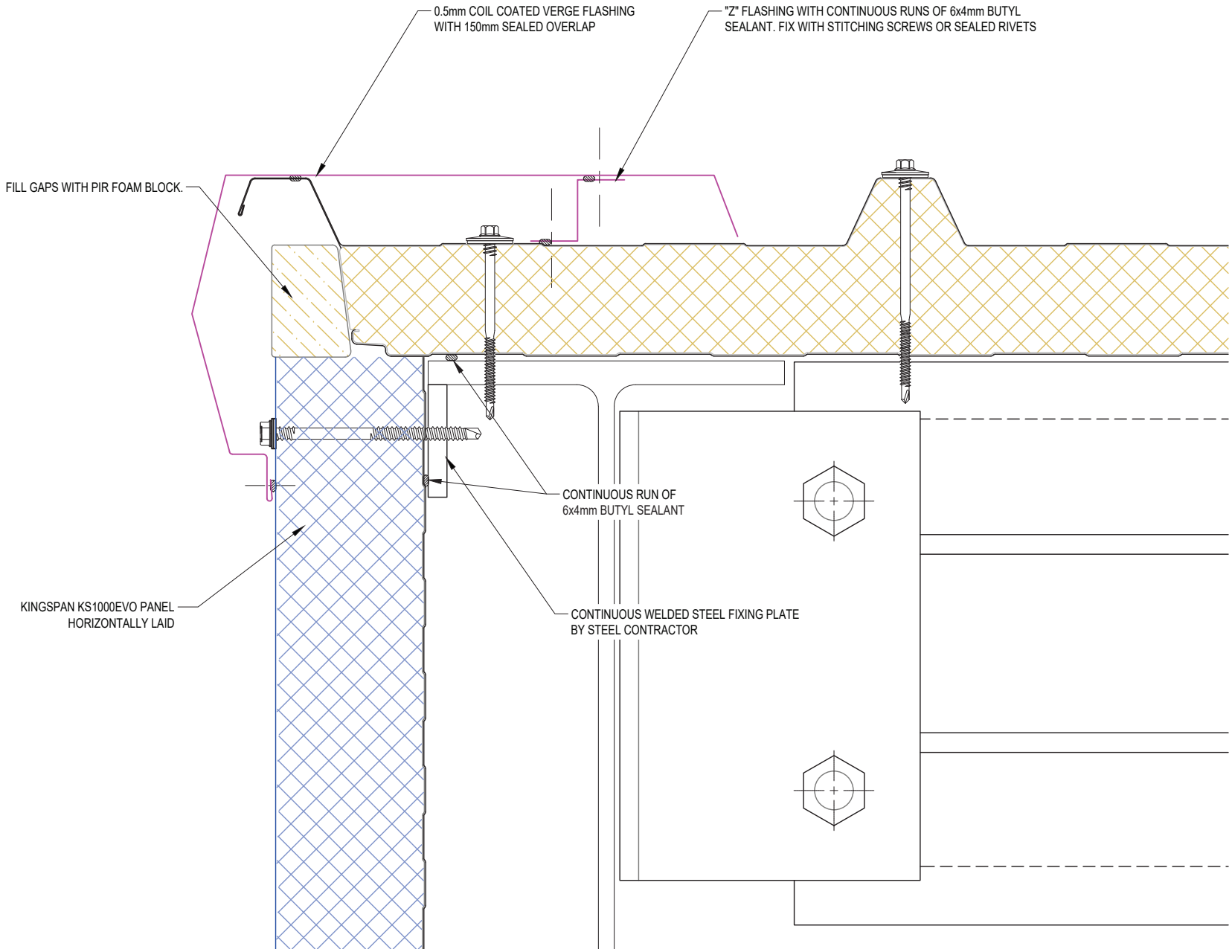
This document remains the property of Kingspan Ltd under copyright laws. Licence is granted to use this document and its contents in connection with Kingspan Ltd products only.  
©Kingspan Ltd

DO NOT SCALE. IF IN DOUBT ASK



New Zealand: Kingspan Ltd  
97 Montreal St, Christchurch, Tel: 03 260 5530, Freephone: 0800 121280  
email: info@kingspanpanels.co.nz, www.kingspanpanels.co.nz

# EVO WALL VERGE DETAIL (RW FEMALE EDGE)



SYSTEM KS1000EVO WALL HORIZONTAL_STD Q1 2024		
DESCRIPTION EVO WALL VERGE DETAIL (RW FEMALE EDGE)		
APPROVED BY JS	DATE 08.03.24	REVISION -
DRG REF: EVO_HS_38	SCALE 1:3	PAPER SIZE A4

This document remains the property of Kingspan Ltd under copyright laws. Licence is granted to use this document and its contents in connection with Kingspan Ltd products only.  
©Kingspan Ltd

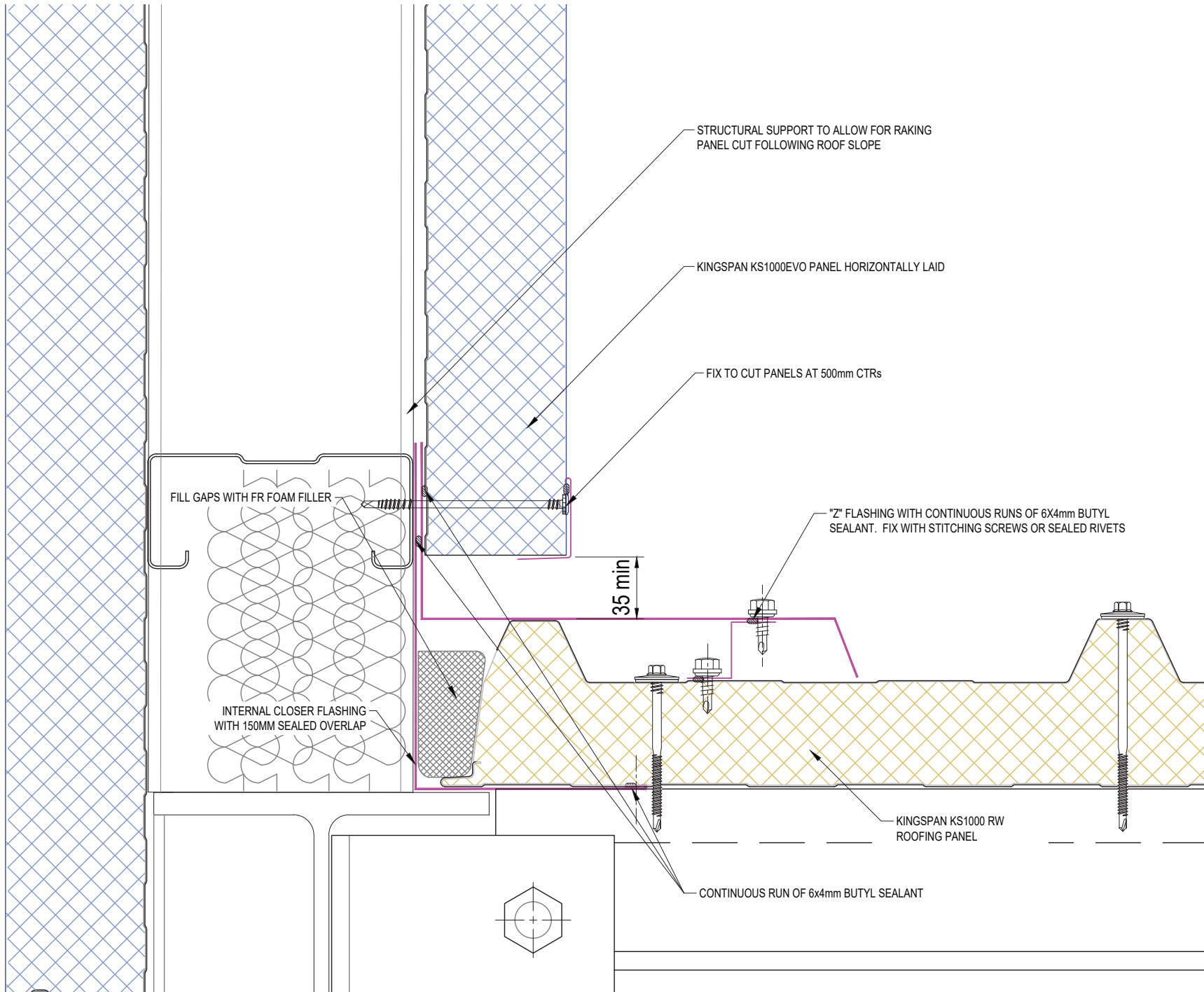
DO NOT SCALE. IF IN DOUBT ASK



New Zealand: Kingspan Ltd  
 97 Montreal St, Christchurch, Tel: 03 260 5530, Freephone: 0800 121290  
 email: info@kingspanpanels.co.nz www.kingspanpanels.co.nz



# EVO WALL PARAPET VERGE



STRUCTURAL SUPPORT TO ALLOW FOR RAKING  
PANEL CUT FOLLOWING ROOF SLOPE

KINGSPAN KS1000EVO PANEL HORIZONTALLY LAID

FIX TO CUT PANELS AT 500mm CTRs

FILL GAPS WITH FR FOAM FILLER

"Z" FLASHING WITH CONTINUOUS RUNS OF 6X4mm BUTYL  
SEALANT. FIX WITH STITCHING SCREWS OR SEALED RIVETS

35 min

INTERNAL CLOSER FLASHING  
WITH 150MM SEALED OVERLAP

KINGSPAN KS1000 RW  
ROOFING PANEL

CONTINUOUS RUN OF 6x4mm BUTYL SEALANT

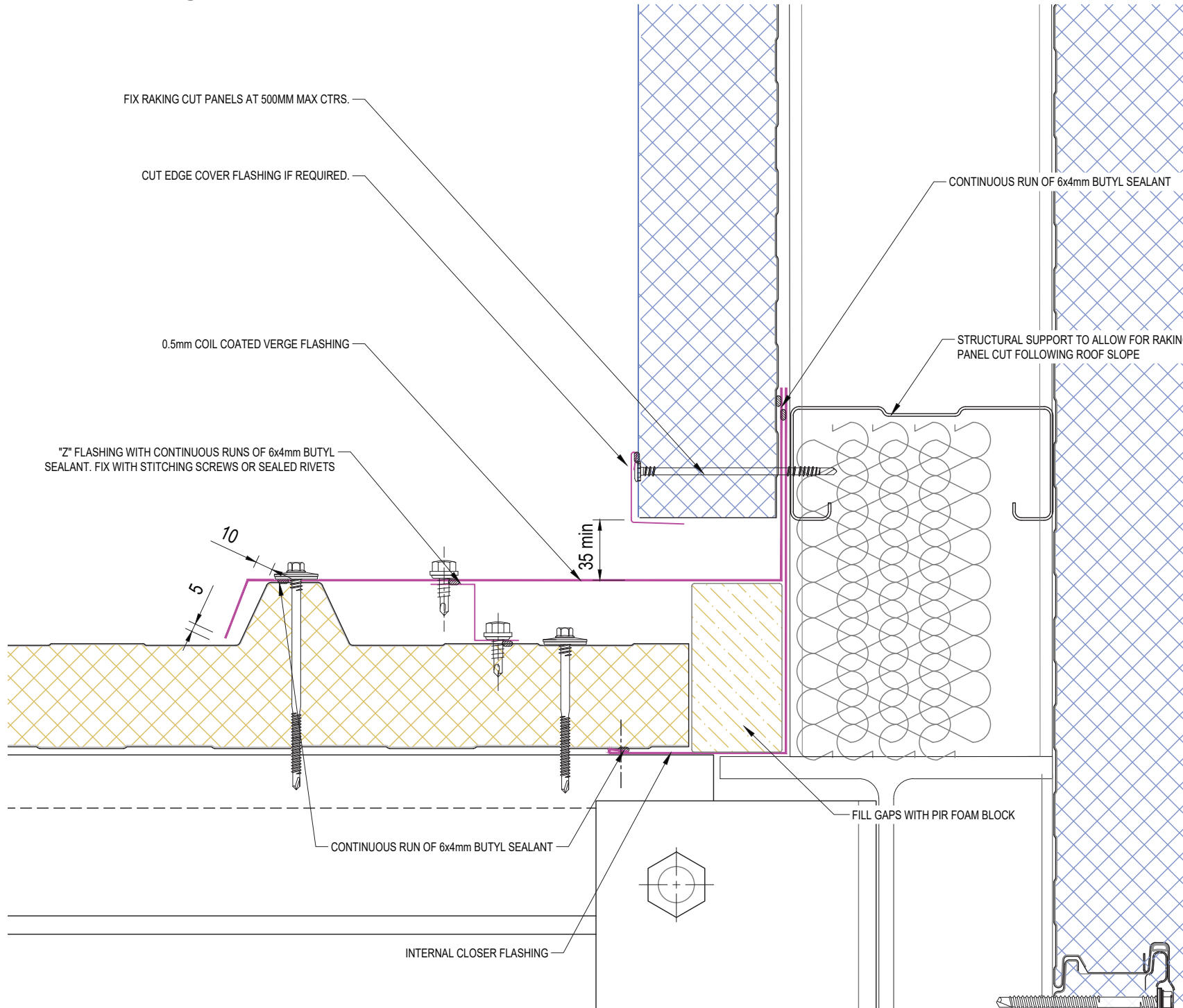
SYSTEM KS1000EVO WALL HORIZONTAL_STD Q1 2024		
DESCRIPTION EVO WALL PARAPET VERGE		
APPROVED BY JS	DATE 08.03.24	REVISION -
DRG REF: EVO_HS_39	SCALE 1:3	PAPER SIZE A4
This document remains the property of Kingspan Ltd under copyright laws. Licence is granted to use this document and its contents in connection with Kingspan Ltd products only. ©Kingspan Ltd		


DO NOT SCALE. IF IN DOUBT ASK



New Zealand: Kingspan Ltd  
97 Montreal St, Christchurch, Tel: 03 260 5530, Freephone: 0800 121280  
email: info@kingspanpanels.co.nz www.kingspanpanels.co.nz

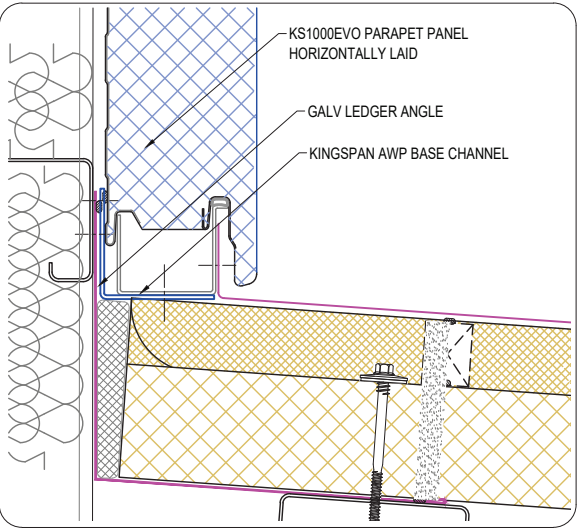
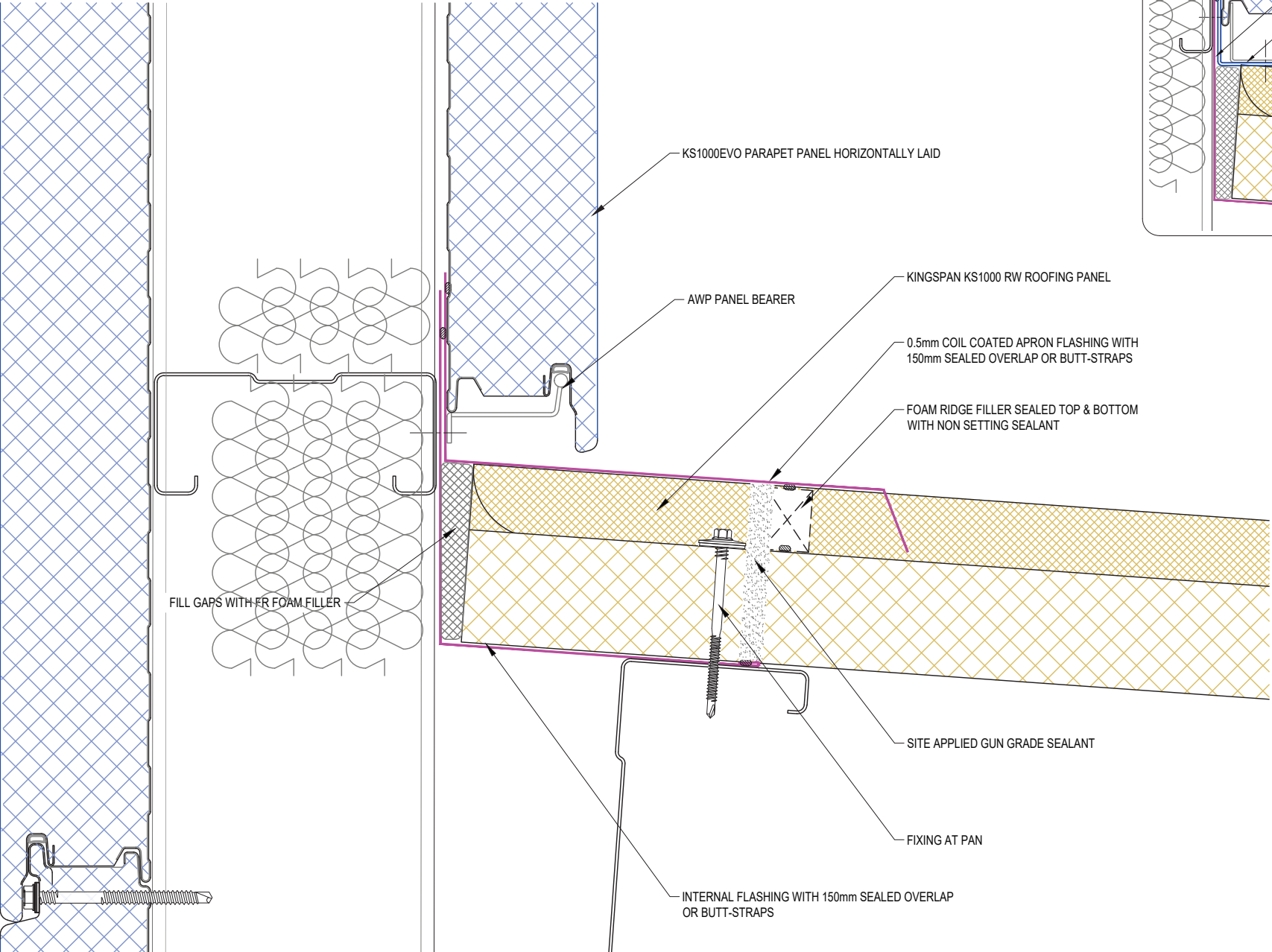
# PARAPET VERGE WITH PANEL BEARER



SYSTEM KS1000EVO WALL HORIZONTAL_STD Q1 2024		
DESCRIPTION PARAPET VERGE WITH PANEL BEARER		
APPROVED BY JS	DATE 08.03.24	REVISION -
DRG REF: EVO_HS_40	SCALE 1:3	PAPER SIZE A4
This document remains the property of Kingspan Ltd under copyright laws. Licence is granted to use this document and its contents in connection with Kingspan Ltd products only. ©Kingspan Ltd		
DO NOT SCALE. IF IN DOUBT ASK		
		
<small>New Zealand: Kingspan Ltd 97 Montreal St, Christchurch, Tel: 03 260 5530, Freephone: 0800 121280 email: info@kingspanpanels.co.nz www.kingspanpanels.co.nz</small>		



# EVO WALL SKILLION DETAIL (PANEL BEARER)



**OPTION B BASE CHANNEL**

SYSTEM KS1000EVO WALL HORIZONTAL_STD Q1 2024		
DESCRIPTION EVO WALL SKILLION DETAIL (PANEL BEARER)		
APPROVED BY JS	DATE 08.03.24	REVISION -
DRG REF: EVO_HS_41	SCALE 1:3	PAPER SIZE A4

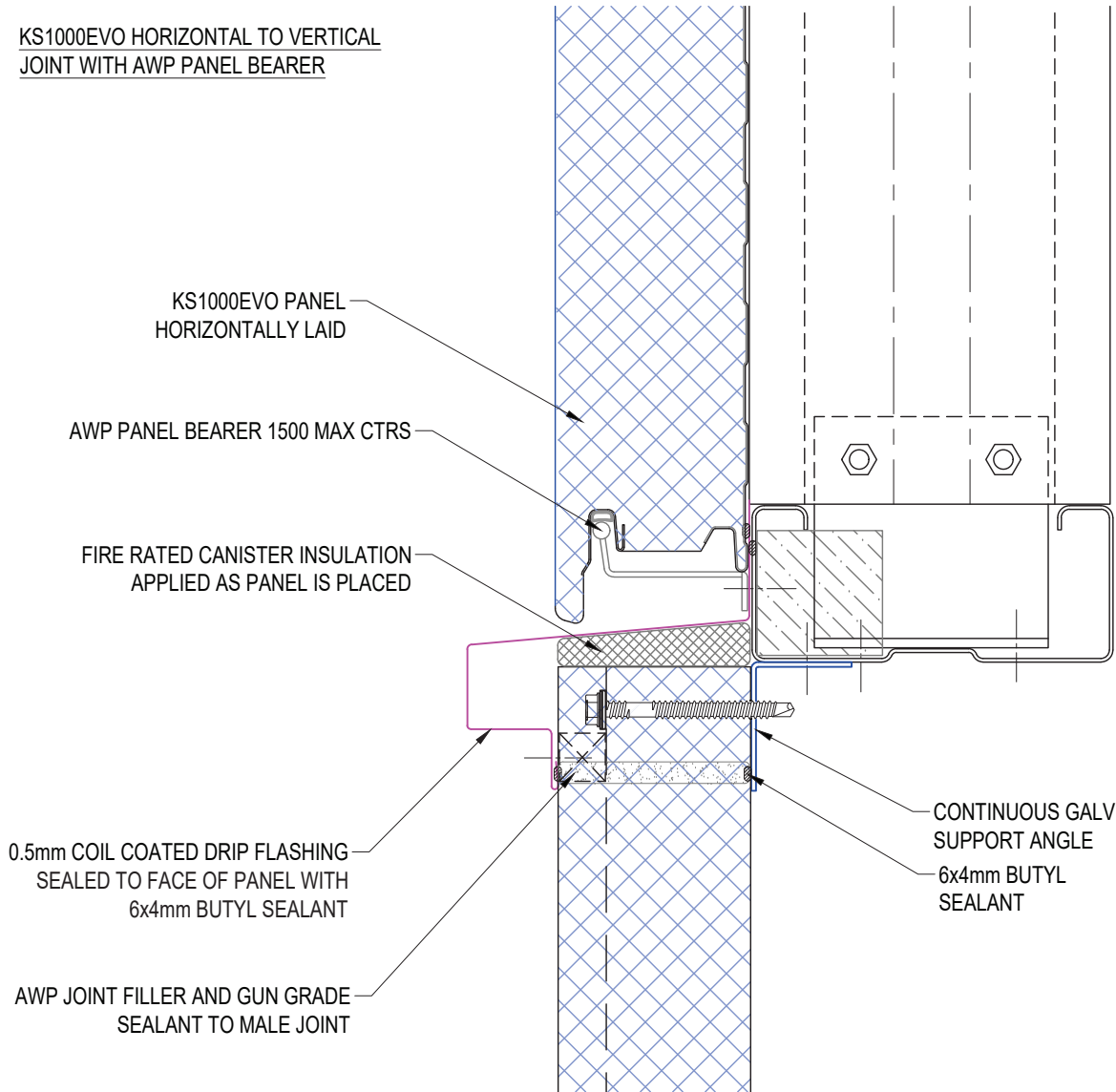
This document remains the property of Kingspan Ltd under copyright laws. Licence is granted to use this document and its contents in connection with Kingspan Ltd products only.  
©Kingspan Ltd

DO NOT SCALE. IF IN DOUBT ASK

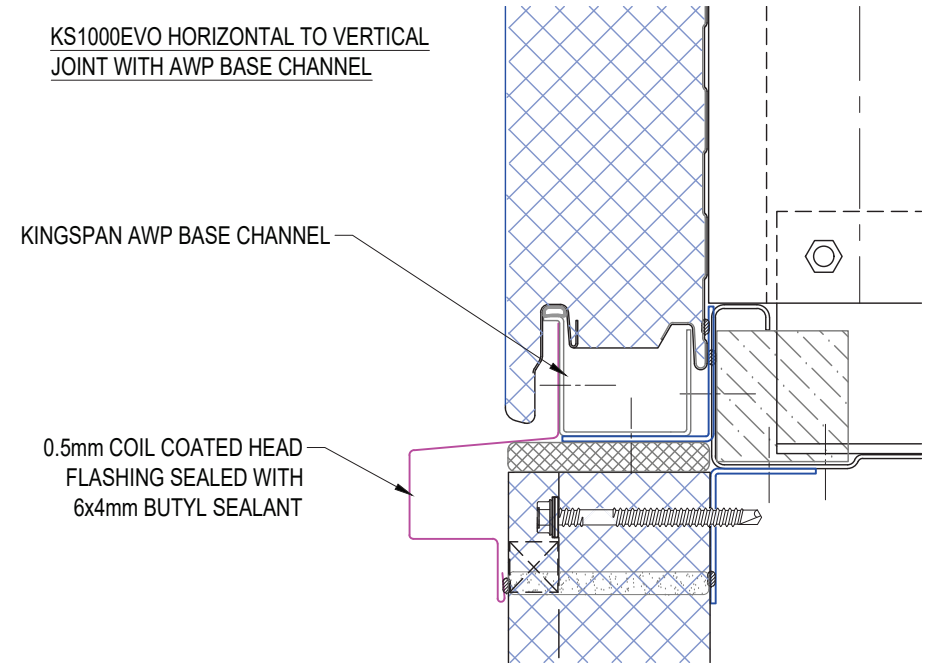
New Zealand: Kingspan Ltd  
97 Montreal St, Christchurch, Tel: 03 250 5530, Freephone: 0800 121280  
email: info@kingspanpanels.co.nz www.kingspanpanels.co.nz

# KS1000EVO WALL HORIZONTAL TO VERTICAL STACK JOINT DETAIL

KS1000EVO HORIZONTAL TO VERTICAL JOINT WITH AWP PANEL BEARER



KS1000EVO HORIZONTAL TO VERTICAL JOINT WITH AWP BASE CHANNEL



SYSTEM KS1000EVO WALL HORIZONTAL_STD Q1 2024		
DESCRIPTION KS1000EVO WALL HORIZONTAL TO VERTICAL STACK JOINT DETAIL		
APPROVED BY JS	DATE 08.03.24	REVISION -
DRG REF: EVO_HS_42	SCALE 1:5	PAPER SIZE A4

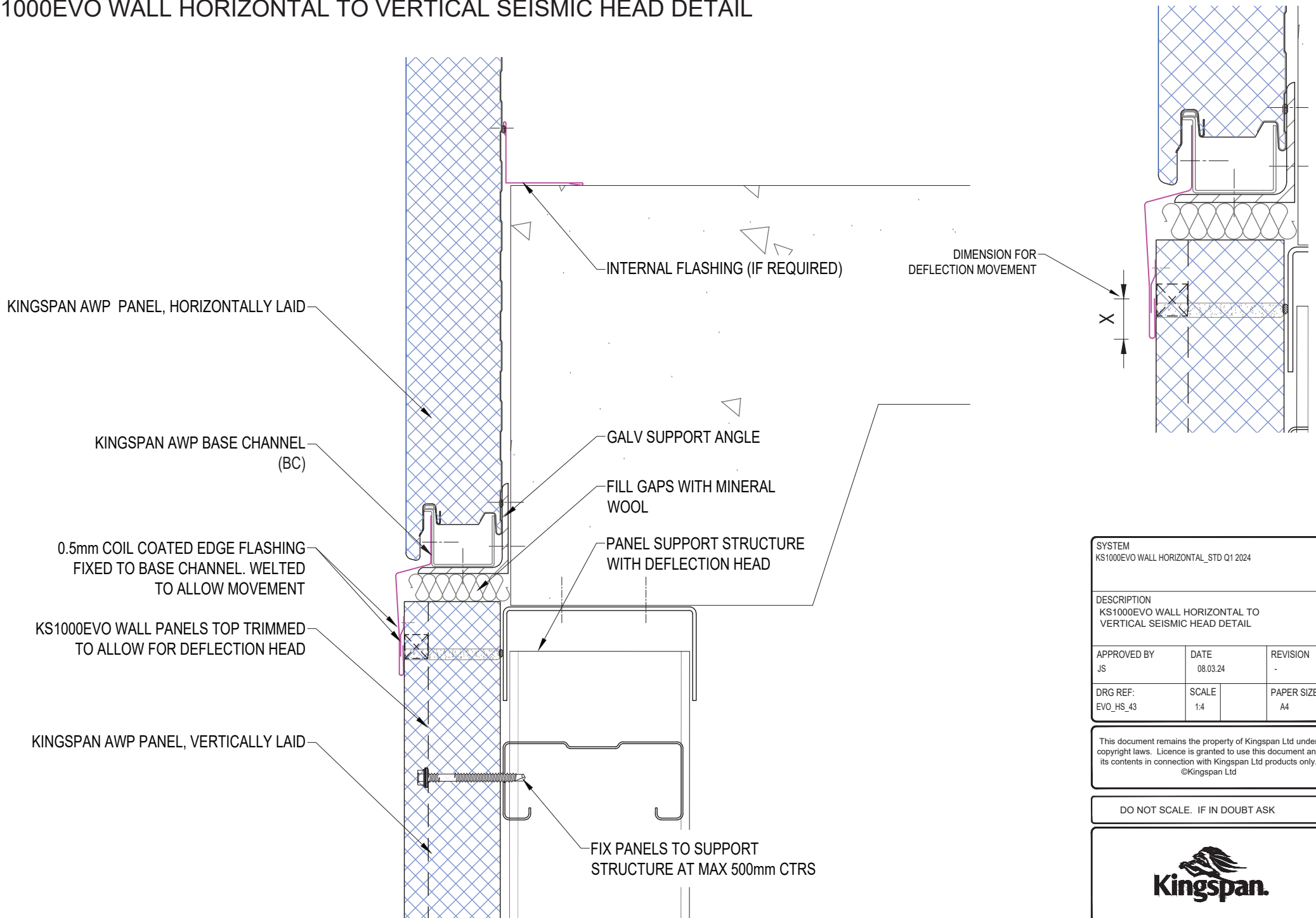
This document remains the property of Kingspan Ltd under copyright laws. Licence is granted to use this document and its contents in connection with Kingspan Ltd products only.  
©Kingspan Ltd

DO NOT SCALE. IF IN DOUBT ASK



New Zealand: Kingspan Ltd  
97 Montreal St, Christchurch, Tel: 03 260 5530, Freephone: 0800 121280  
email: info@kingspanpanels.co.nz, www.kingspanpanels.co.nz

# KS1000EVO WALL HORIZONTAL TO VERTICAL SEISMIC HEAD DETAIL



SYSTEM KS1000EVO WALL HORIZONTAL_STD Q1 2024		
DESCRIPTION KS1000EVO WALL HORIZONTAL TO VERTICAL SEISMIC HEAD DETAIL		
APPROVED BY JS	DATE 08.03.24	REVISION -
DRG REF: EVO_HS_43	SCALE 1:4	PAPER SIZE A4

This document remains the property of Kingspan Ltd under copyright laws. Licence is granted to use this document and its contents in connection with Kingspan Ltd products only.  
©Kingspan Ltd

DO NOT SCALE. IF IN DOUBT ASK



New Zealand: Kingspan Ltd  
97 Montreal St, Christchurch, Tel: 03 260 5530, Freephone: 0800 121280  
email: info@kingspanpanels.co.nz www.kingspanpanels.co.nz

# EVO WALL WINDOW DETAIL (BASE CHANNEL)

## OPTION A BASE CHANNEL

KINGSPAN AWP BASE CHANNEL  
SUPPORTED ON GALV LEDGER ANGLE

AIR SEAL WITH 6x4mm BUTYL  
SEALANT

6 min

0.5mm COIL COATED HEAD FLASHING  
SEALED WITH 6x4mm BUTYL SEALANT

WINDOW SUPPORT  
FRAME

0.5mm COIL COATED SOFFIT FLASHING

PF BACKING ROD WITH GUN GRADE  
SEALANT. BY WINDOW INSTALLER

WINDOW UNIT BY OTHERS

0.5mm COIL COATED SILL FLASHING  
SEALED WITH 6x4mm BUTYL SEALANT

KS1000EVO PANEL HORIZONTALLY LAID

## OPTION B AWP PANEL BEARER

AWP PANEL BEARER 1500  
MAX CTRS

0.5mm COIL COATED HEAD  
FLASHING SEALED WITH  
6x4mm BUTYL SEALANT

0.5mm COIL COATED  
SOFFIT FLASHING

PF BACKING ROD WITH GUN  
GRADE SEALANT. BY WINDOW  
INSTALLER

SYSTEM KS1000EVO WALL HORIZONTAL_STD Q1 2024		
DESCRIPTION EVO WALL WINDOW DETAIL (Base Channel)		
APPROVED BY JS	DATE 08.03.24	REVISION -
DRG REF: EVO_HS_44	SCALE 1:2	PAPER SIZE A4

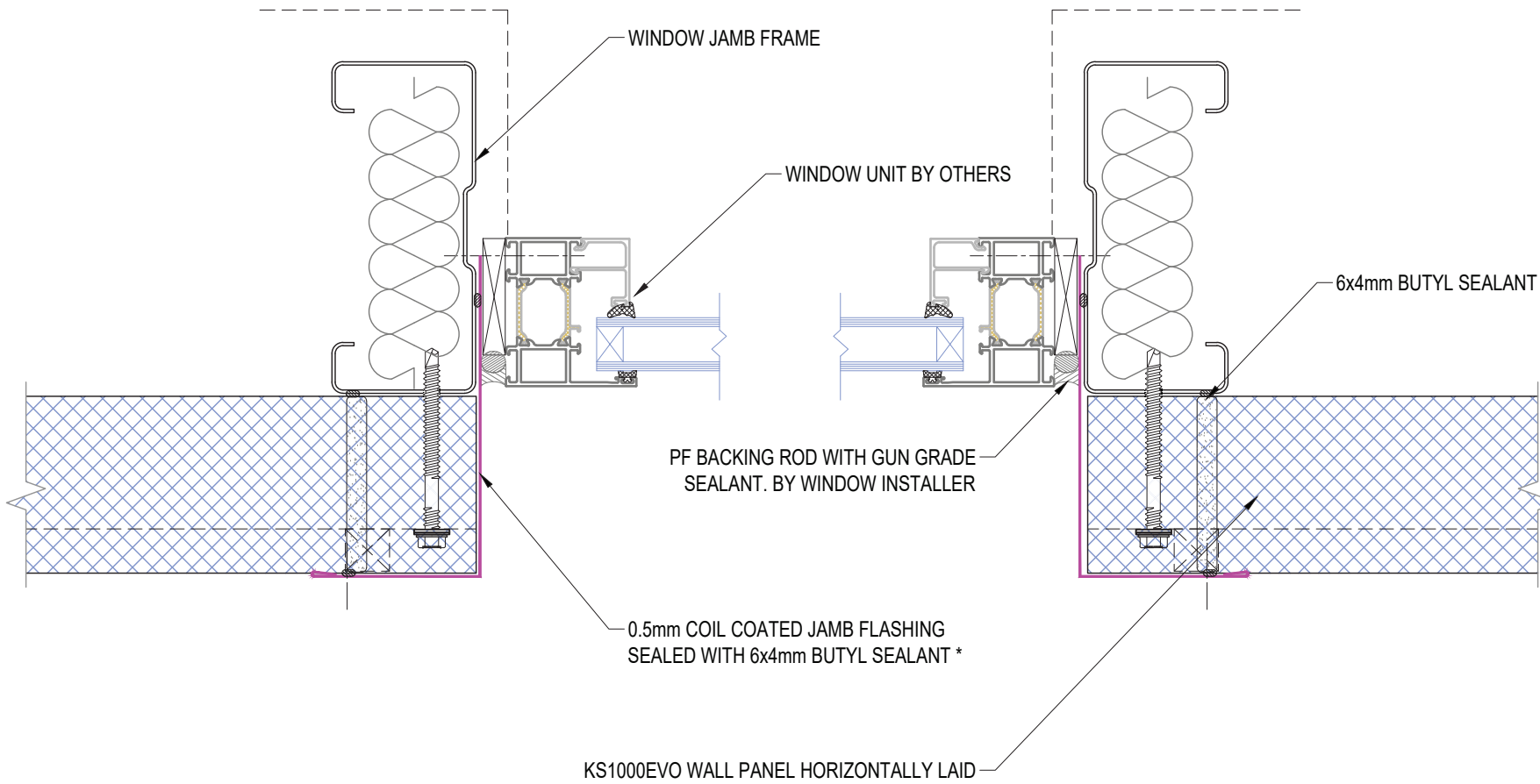
This document remains the property of Kingspan Ltd under copyright laws. Licence is granted to use this document and its contents in connection with Kingspan Ltd products only.  
©Kingspan Ltd

DO NOT SCALE. IF IN DOUBT ASK



New Zealand: Kingspan Ltd  
97 Montreal St, Christchurch, Tel: 03 290 5530, Freephone: 0800 121280  
email: info@kingspanpanels.co.nz, www.kingspanpanels.co.nz

# EVO WALL WINDOW DETAIL (HORIZONTAL SECTION)



SYSTEM KS1000EVO WALL HORIZONTAL_STD Q1 2024		
DESCRIPTION EVO WALL WINDOW DETAIL (horizontal section)		
APPROVED BY JS	DATE 08.03.24	REVISION -
DRG REF: EVO_HS_45	SCALE 1:2	PAPER SIZE A4

This document remains the property of Kingspan Ltd under copyright laws. Licence is granted to use this document and its contents in connection with Kingspan Ltd products only.  
©Kingspan Ltd

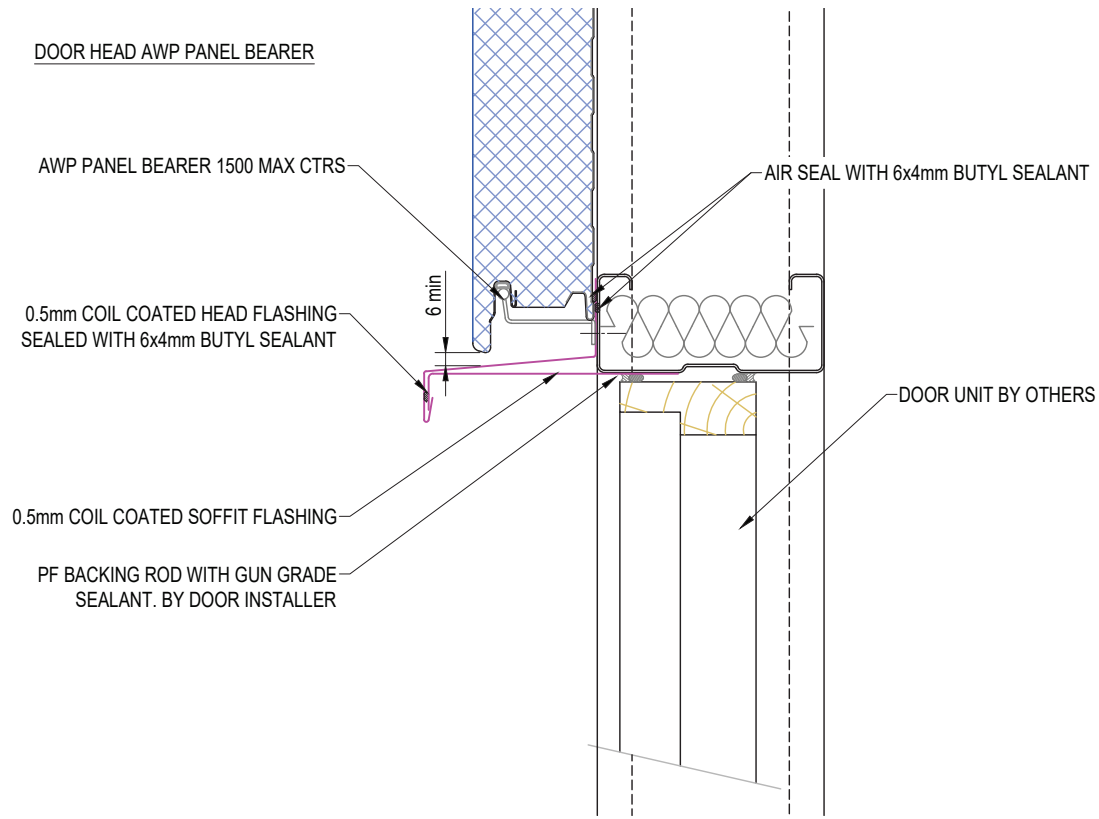
DO NOT SCALE. IF IN DOUBT ASK



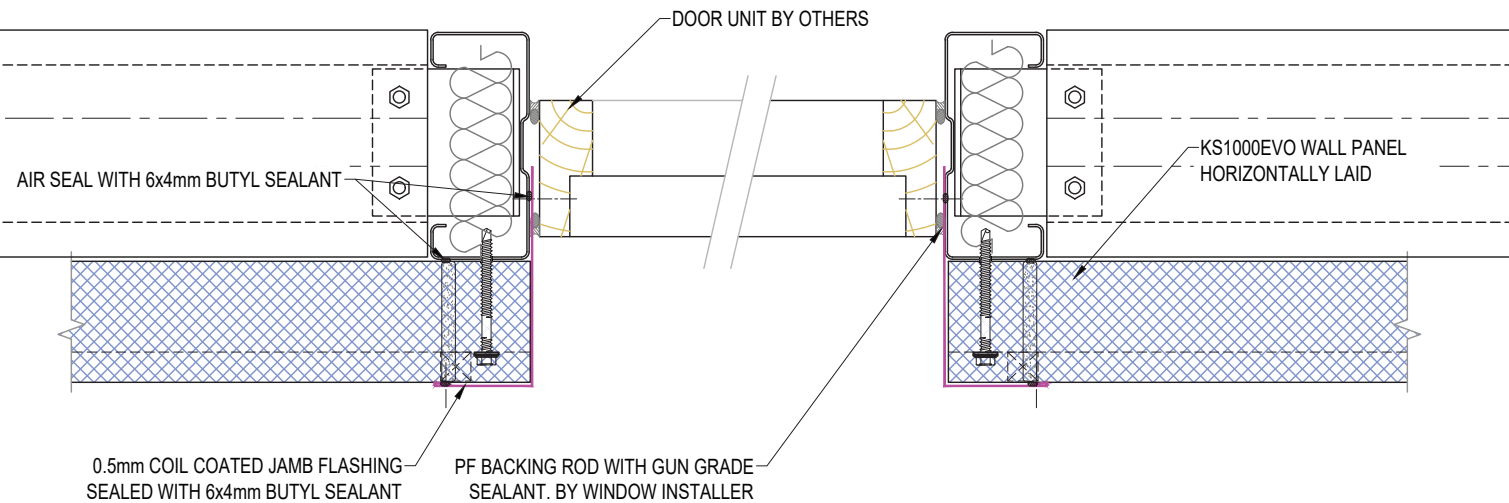
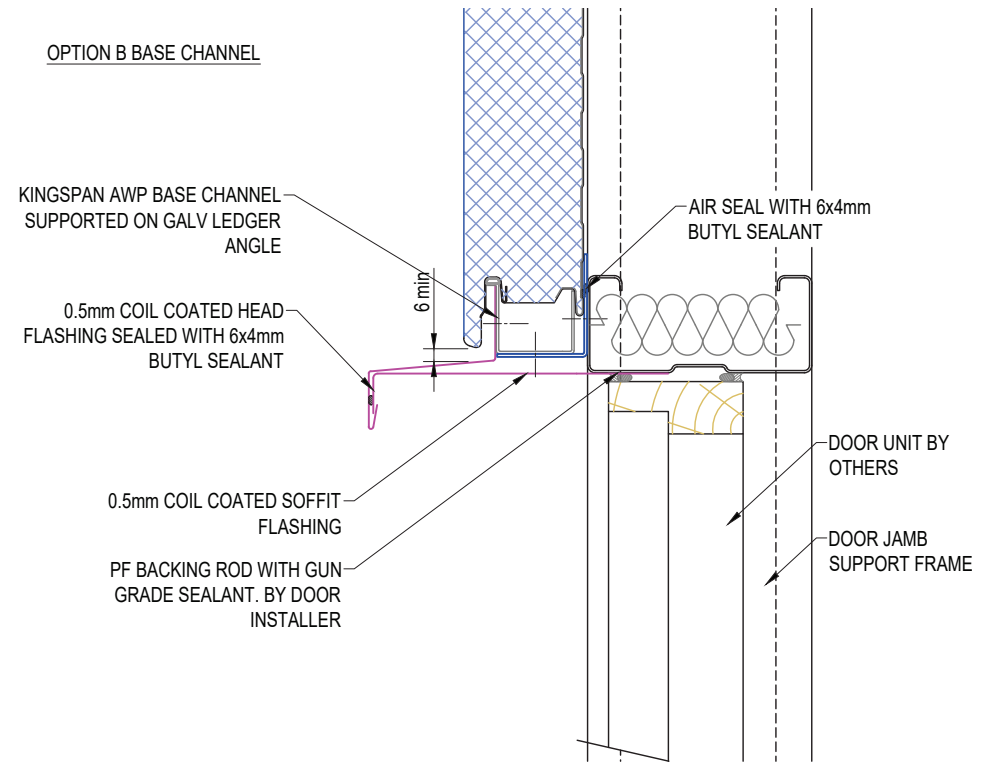
New Zealand: Kingspan Ltd  
97 Montreal St, Christchurch, Tel: 03 260 5530, Freephone: 0800 121280  
email: info@kingspanpanels.co.nz www.kingspanpanels.co.nz

# EVO WALL PERSONNEL DOOR DETAIL

## DOOR HEAD AWP PANEL BEARER



## OPTION B BASE CHANNEL



SYSTEM KS1000EVO WALL HORIZONTAL_STD Q1 2024		
DESCRIPTION EVO WALL PERSONNEL DOOR DETAIL		
APPROVED BY JS	DATE 08.03.24	REVISION -
DRG REF: EVO_HS_46	SCALE 1:5	PAPER SIZE A4

This document remains the property of Kingspan Ltd under copyright laws. Licence is granted to use this document and its contents in connection with Kingspan Ltd products only.  
©Kingspan Ltd

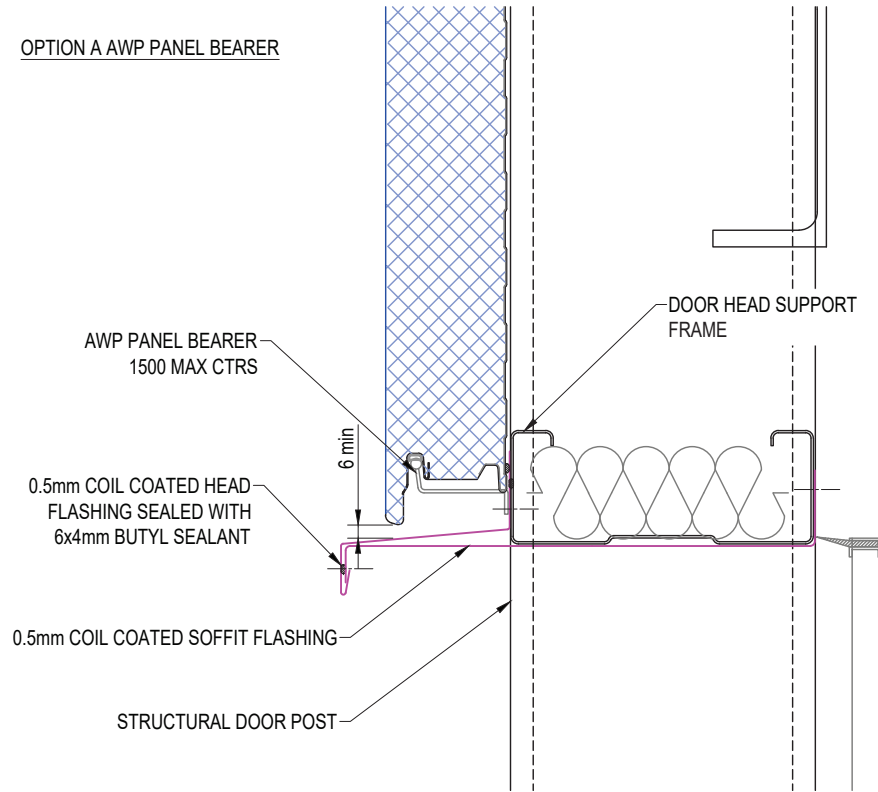
DO NOT SCALE. IF IN DOUBT ASK



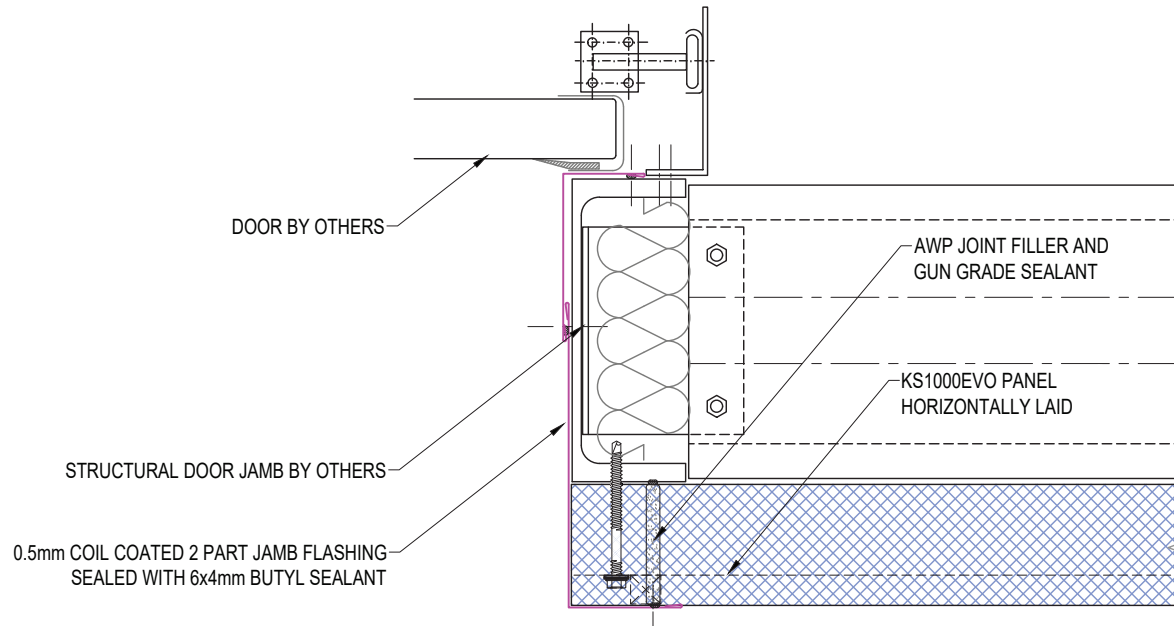
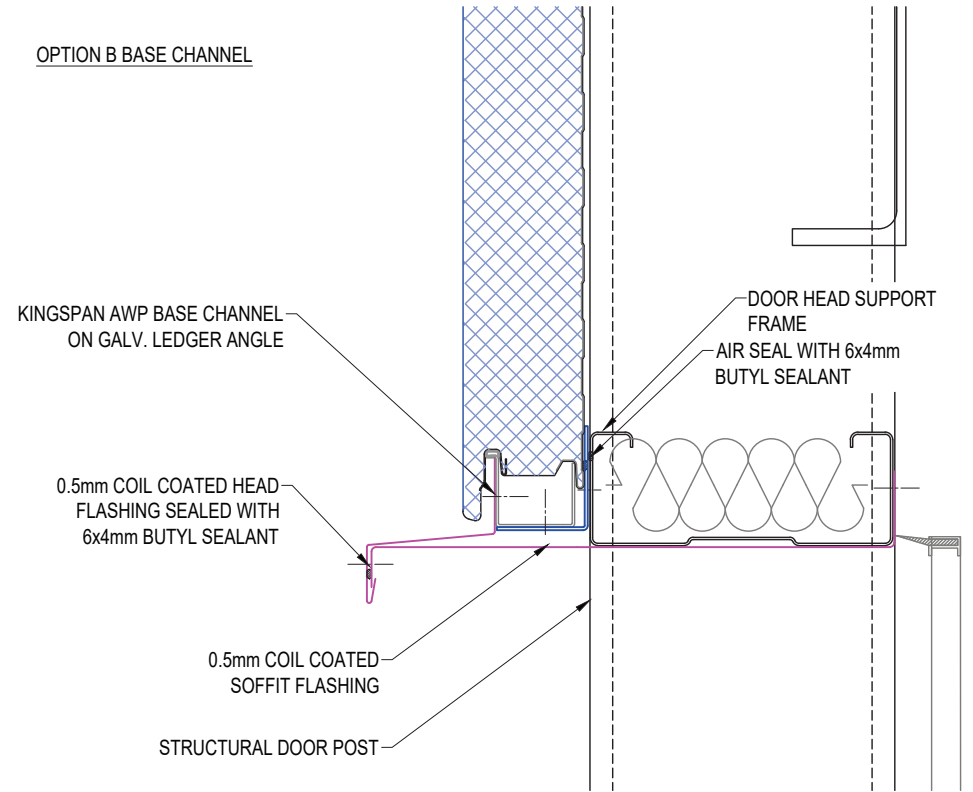
New Zealand: Kingspan Ltd  
97 Montreal St, Christchurch. Tel: 03 290 5530. Freephone: 0800 121280  
email: info@kingspanpanels.co.nz www.kingspanpanels.co.nz

# EVO WALL OVER HEAD DOOR DETAIL

OPTION A AWP PANEL BEARER



OPTION B BASE CHANNEL



SYSTEM KS1000EVO WALL HORIZONTAL_STD Q1 2024		
DESCRIPTION EVO WALL OVER HEAD DOOR DETAIL		
APPROVED BY JS	DATE 08.03.24	REVISION -
DRG REF: EVO_HS_47	SCALE 1:5	PAPER SIZE A4

This document remains the property of Kingspan Ltd under copyright laws. Licence is granted to use this document and its contents in connection with Kingspan Ltd products only.  
©Kingspan Ltd

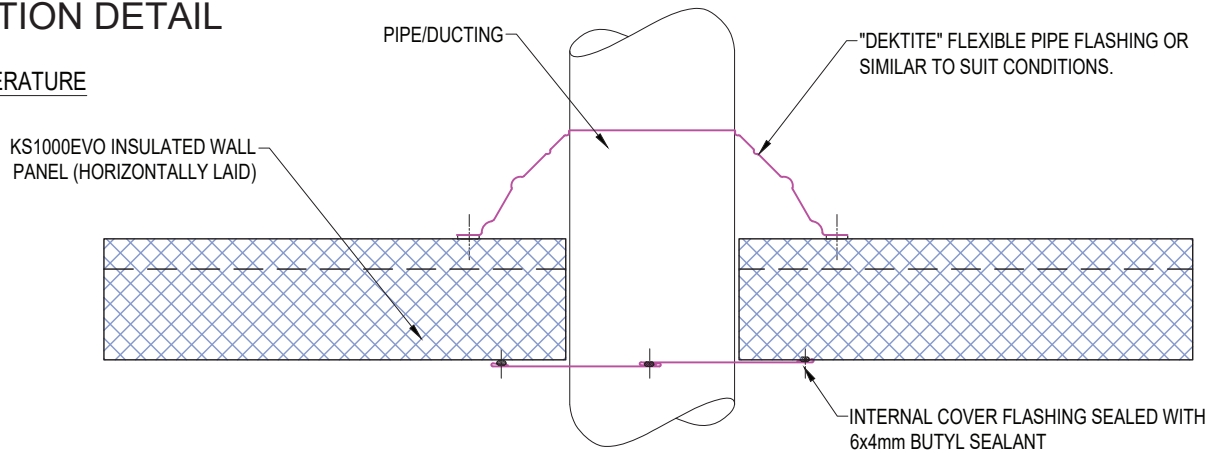
DO NOT SCALE. IF IN DOUBT ASK

New Zealand Kingspan Ltd  
97 Montreal St, Christchurch, Tel: 03 260 5530, Freephone: 0800 121280  
email: info@kingspanpanels.co.nz www.kingspanpanels.co.nz

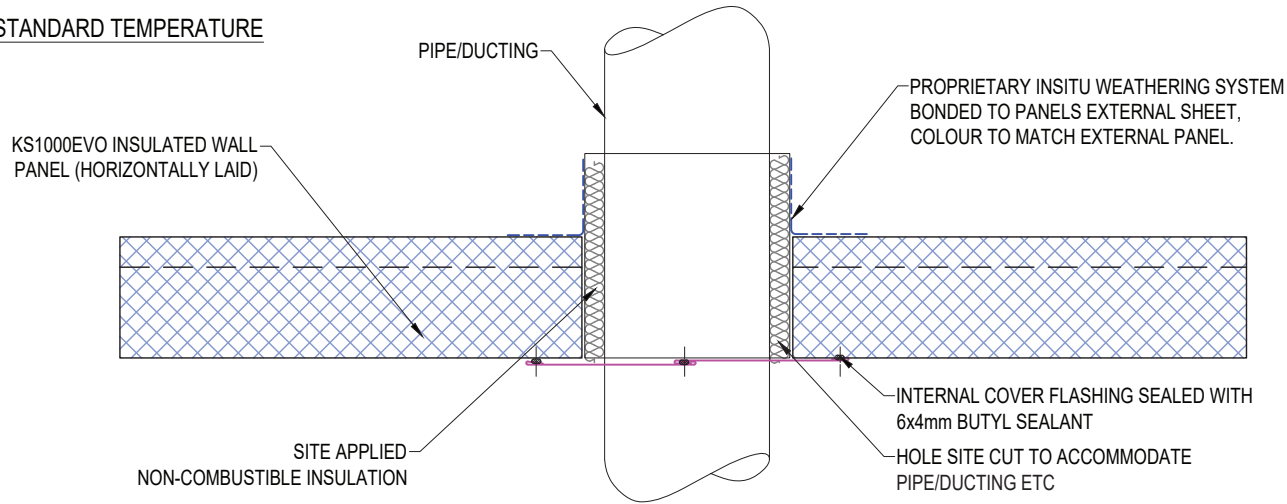


# EVO WALL PENETRATION DETAIL

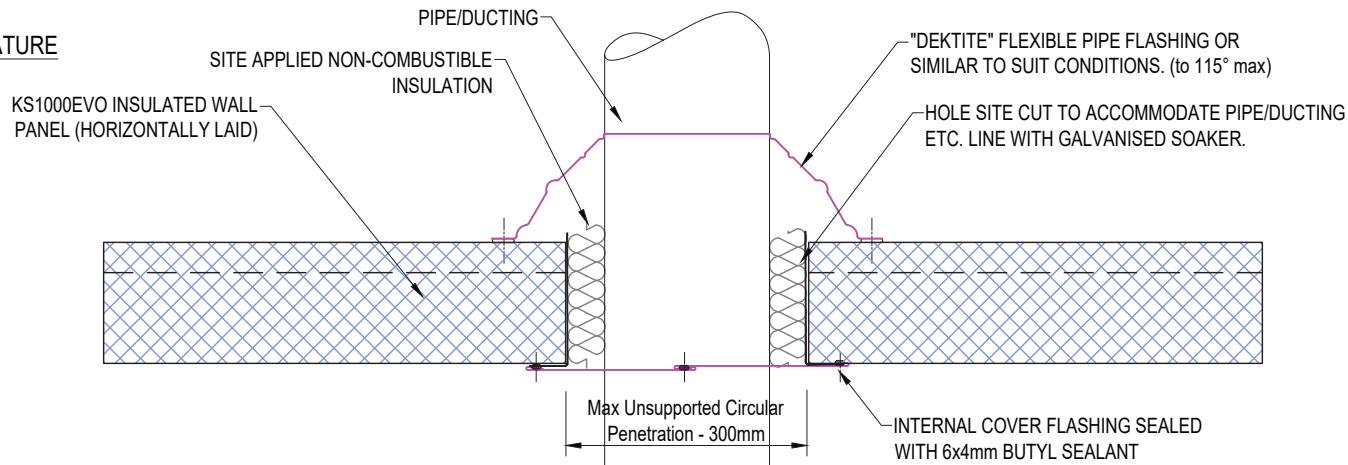
## STANDARD TEMPERATURE



## ALTERNATIVE STANDARD TEMPERATURE



## HIGH TEMPERATURE



SYSTEM KS1000EVO WALL HORIZONTAL_STD Q1 2024		
DESCRIPTION EVO WALL PENETRATION DETAIL		
APPROVED BY JS	DATE 08.03.24	REVISION -
DRG REF: EVO_HS_48	SCALE 1:5	PAPER SIZE A4

This document remains the property of Kingspan Ltd under copyright laws. Licence is granted to use this document and its contents in connection with Kingspan Ltd products only.  
©Kingspan Ltd

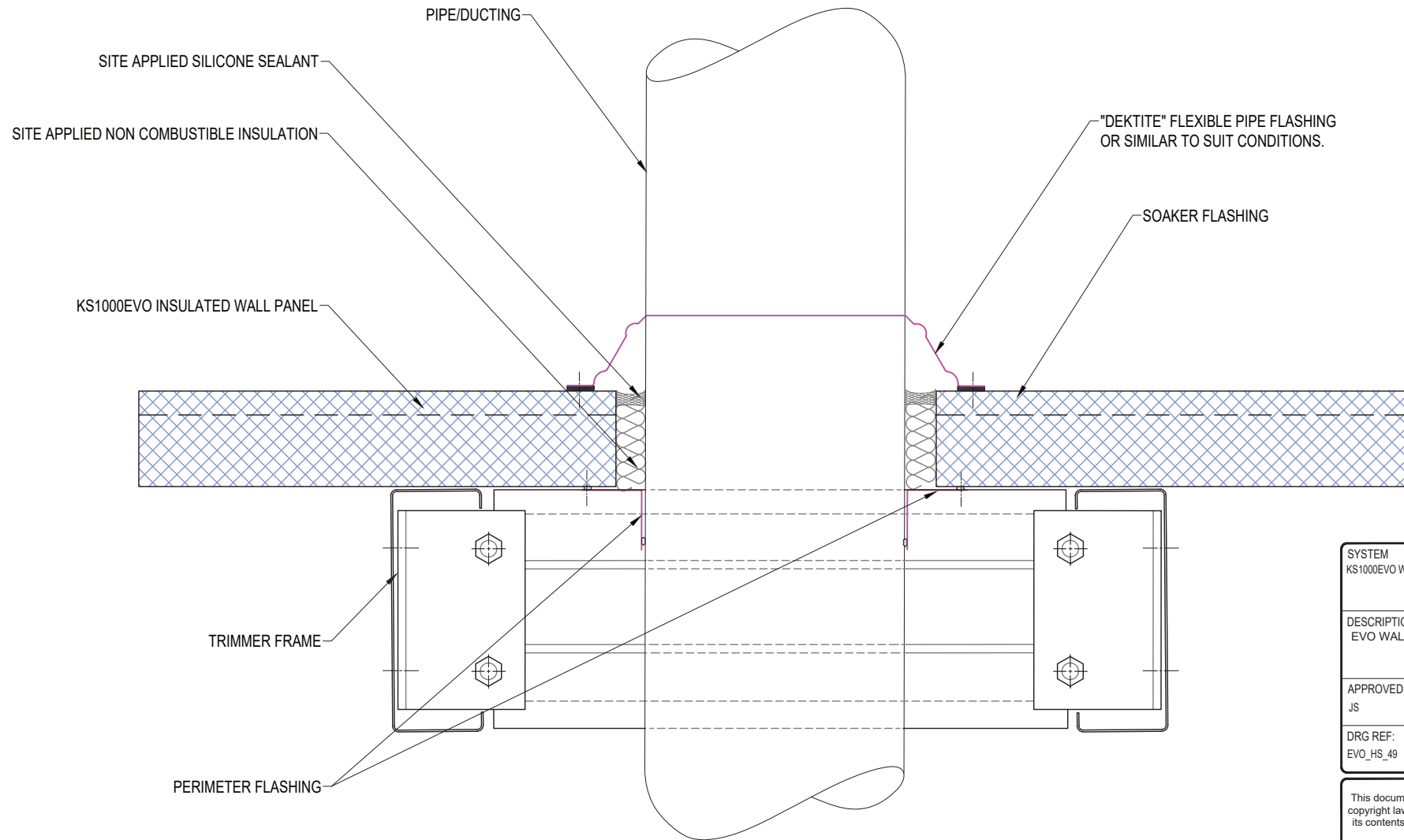
DO NOT SCALE. IF IN DOUBT ASK



New Zealand: Kingspan Ltd  
97 Montreal St, Christchurch, Tel: 03 260 5530, Freephone: 0800 121280  
email: info@kingspanpanels.co.nz, www.kingspanpanels.co.nz



# EVO WALL PENETRATION DETAIL



SYSTEM KS1000EVO WALL HORIZONTAL_STD Q1 2024		
DESCRIPTION EVO WALL PENETRATION DETAIL		
APPROVED BY JS	DATE 08.03.24	REVISION -
DRG REF: EVO_HS_49	SCALE 1:5	PAPER SIZE A4

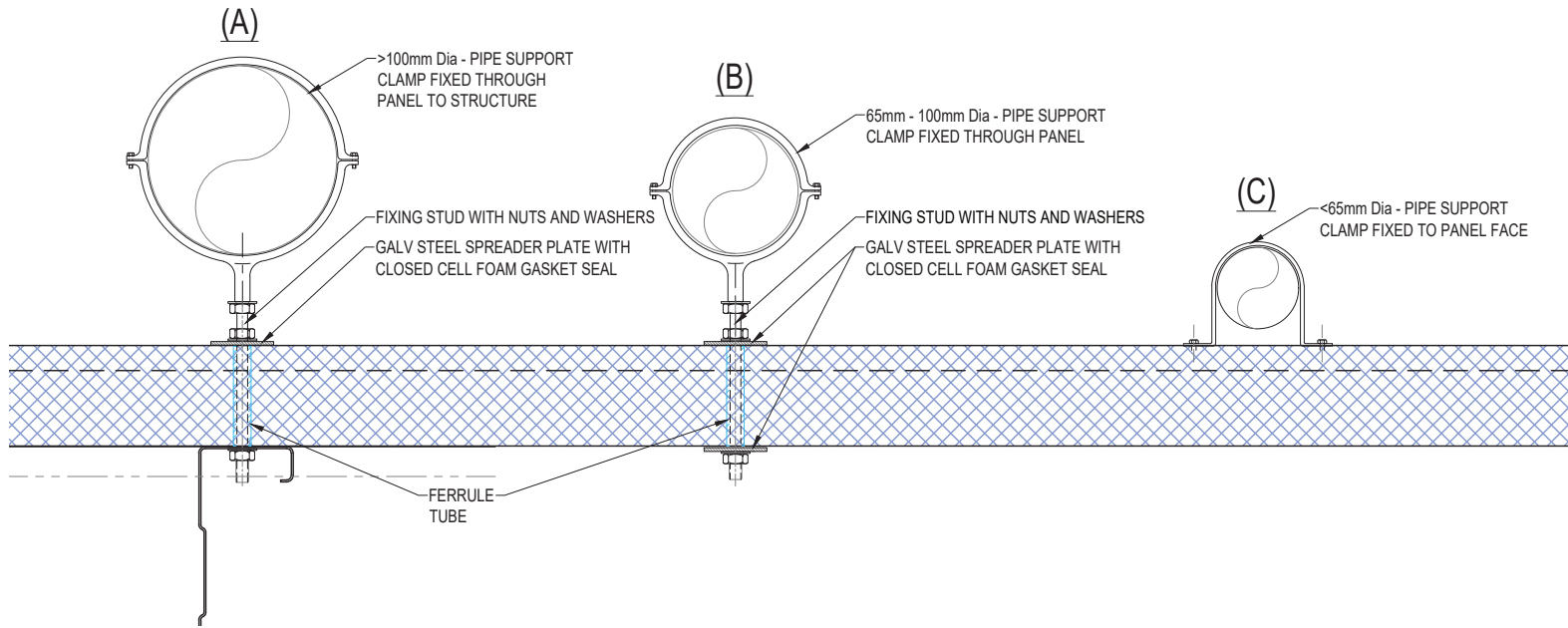
This document remains the property of Kingspan Ltd under copyright laws. Licence is granted to use this document and its contents in connection with Kingspan Ltd products only.  
©Kingspan Ltd

DO NOT SCALE. IF IN DOUBT ASK



New Zealand: Kingspan Ltd  
97 Montreal St, Christchurch, Tel: 03 260 5530, Freephone: 0800 121280  
email: [info@kingspanpanels.co.nz](mailto:info@kingspanpanels.co.nz) [www.kingspanpanels.co.nz](http://www.kingspanpanels.co.nz)

# PIPE SUPPORT DETAILS

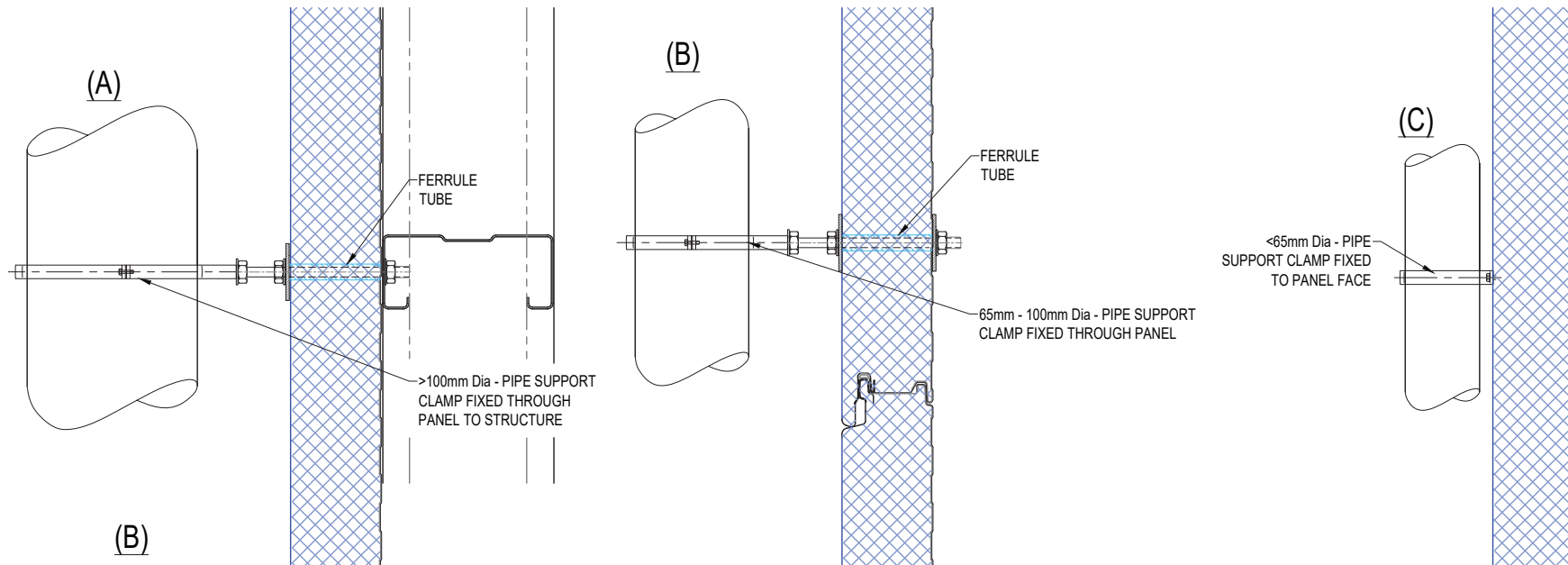


PIPE WEIGHTS ARE INDICATIVE ONLY.

FOR LIGHT PIPES; THE FORCE APPLIED TO THE CONNECTION SHOULD NOT EXCEED 0.3kN.

FOR MEDIUM WEIGHT PIPES; THE FORCE APPLIED SHOULD NOT EXCEED 2.8kN AND THE PANEL SPAN NEEDS TO BE CHECKED BASED IN THE NEW POINT LOAD.

\* FIX DOWN-PIPES & OTHER ANCILLARY ITEMS THROUGH PANEL WITH A SUPPORT FERRULE TO PREVENT COMPRESSION OF THE PANEL CORE (EXAMPLE ONLY. DETAIL DESIGN BY OTHERS)



SYSTEM KS1000EVO WALL HORIZONTAL_STD Q1 2024		
DESCRIPTION PIPE SUPPORT DETAILS		
APPROVED BY JS	DATE 08.03.24	REVISION -
DRG REF: EVO_HS_50	SCALE NTS	PAPER SIZE A4

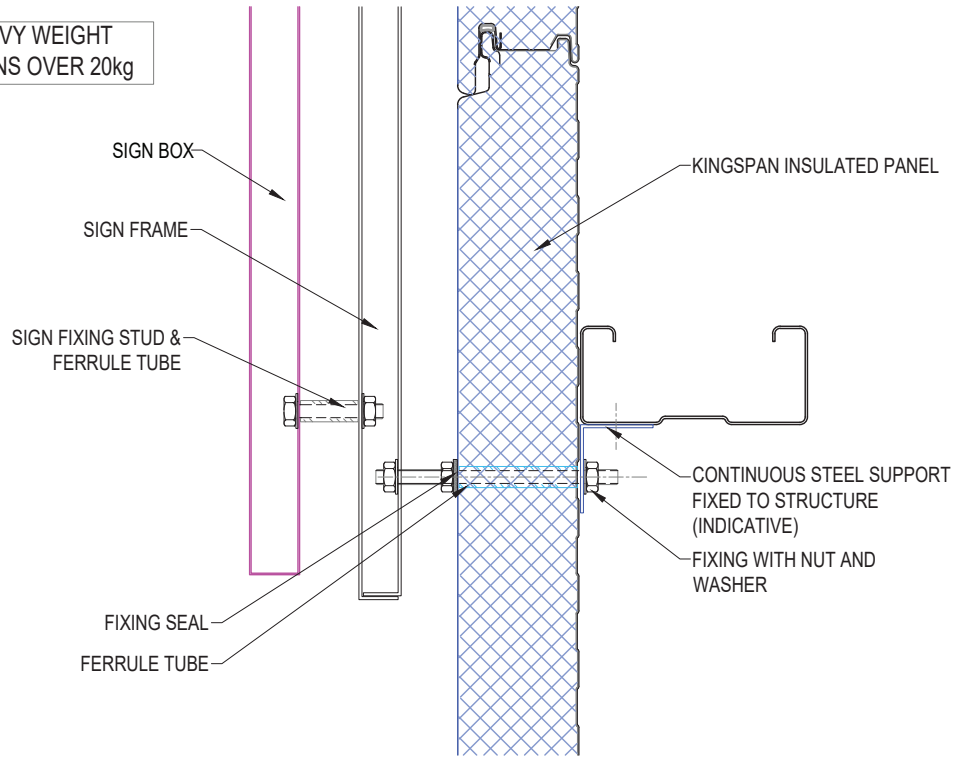
This document remains the property of Kingspan Ltd under copyright laws. Licence is granted to use this document and its contents in connection with Kingspan Ltd products only.  
©Kingspan Ltd

DO NOT SCALE. IF IN DOUBT ASK

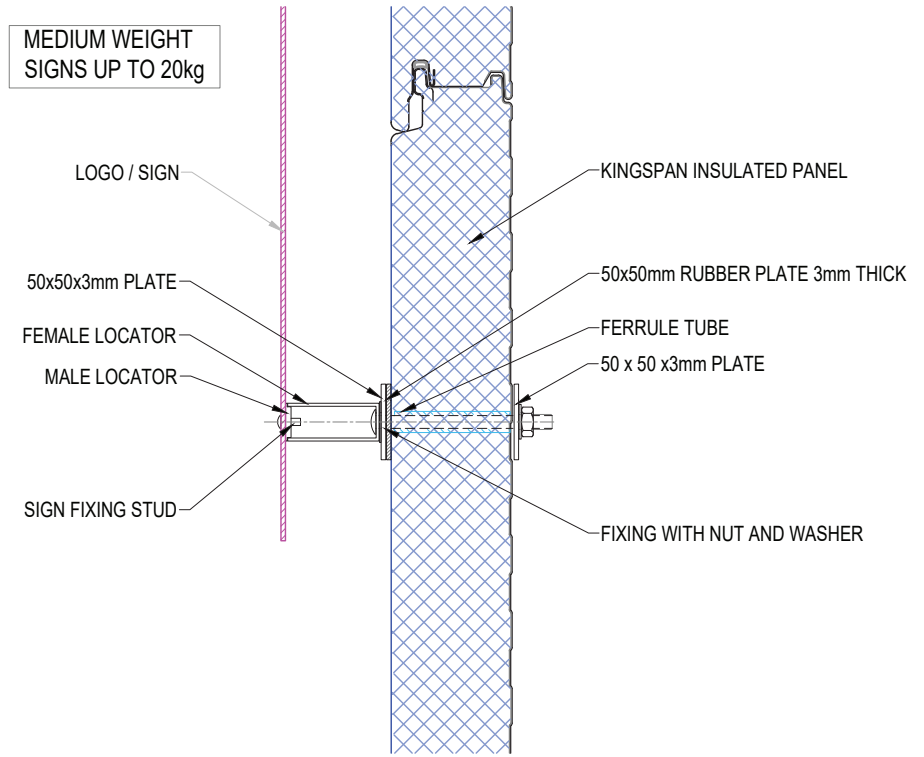
New Zealand: Kingspan Ltd  
97 Montreal St, Christchurch, Tel: 03 260 5530, Freephone: 0800 121280  
email: info@kingspanpanels.co.nz www.kingspanpanels.co.nz

# PIPE SUPPORT DETAILS

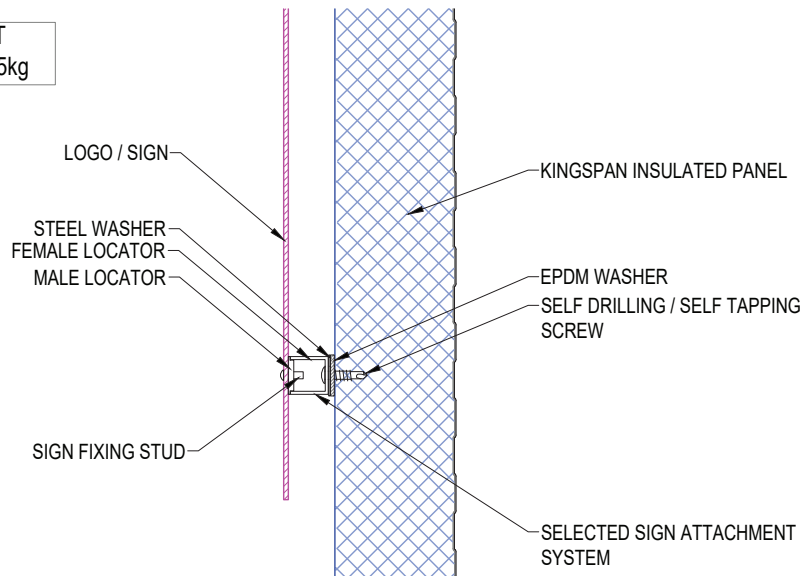
HEAVY WEIGHT  
SIGNS OVER 20kg



MEDIUM WEIGHT  
SIGNS UP TO 20kg



LIGHT WEIGHT  
SIGNS UP TO 5kg



SIGN WEIGHTS ARE INDICATIVE ONLY.

FOR LIGHT SIGNS; THE FORCE APPLIED TO THE CONNECTION SHOULD NOT EXCEED 0.3kN.

FOR MEDIUM WEIGHT SIGNS; THE FORCE APPLIED SHOULD NOT EXCEED 2.8kN AND THE PANEL SPAN NEEDS TO BE CHECKED BASED IN THE NEW POINT LOAD.

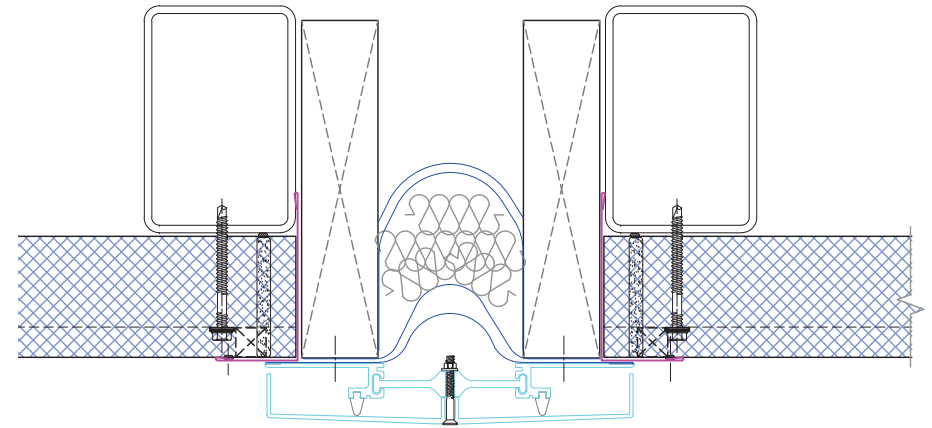
NOTE: IT IS THE INSTALLER'S RESPONSIBILITY TO ENSURE THAT SIGN MATERIALS AND FIXINGS ARE COMPATIBLE WITH KINGSPAN PANELS

SYSTEM KS1000EVO WALL HORIZONTAL_STD Q1 2024		
DESCRIPTION PIPE SUPPORT DETAILS		
APPROVED BY JS	DATE 08.03.24	REVISION -
DRG REF: EVO_HS_51	SCALE 1:5	PAPER SIZE A4
This document remains the property of Kingspan Ltd under copyright laws. Licence is granted to use this document and its contents in connection with Kingspan Ltd products only. ©Kingspan Ltd		

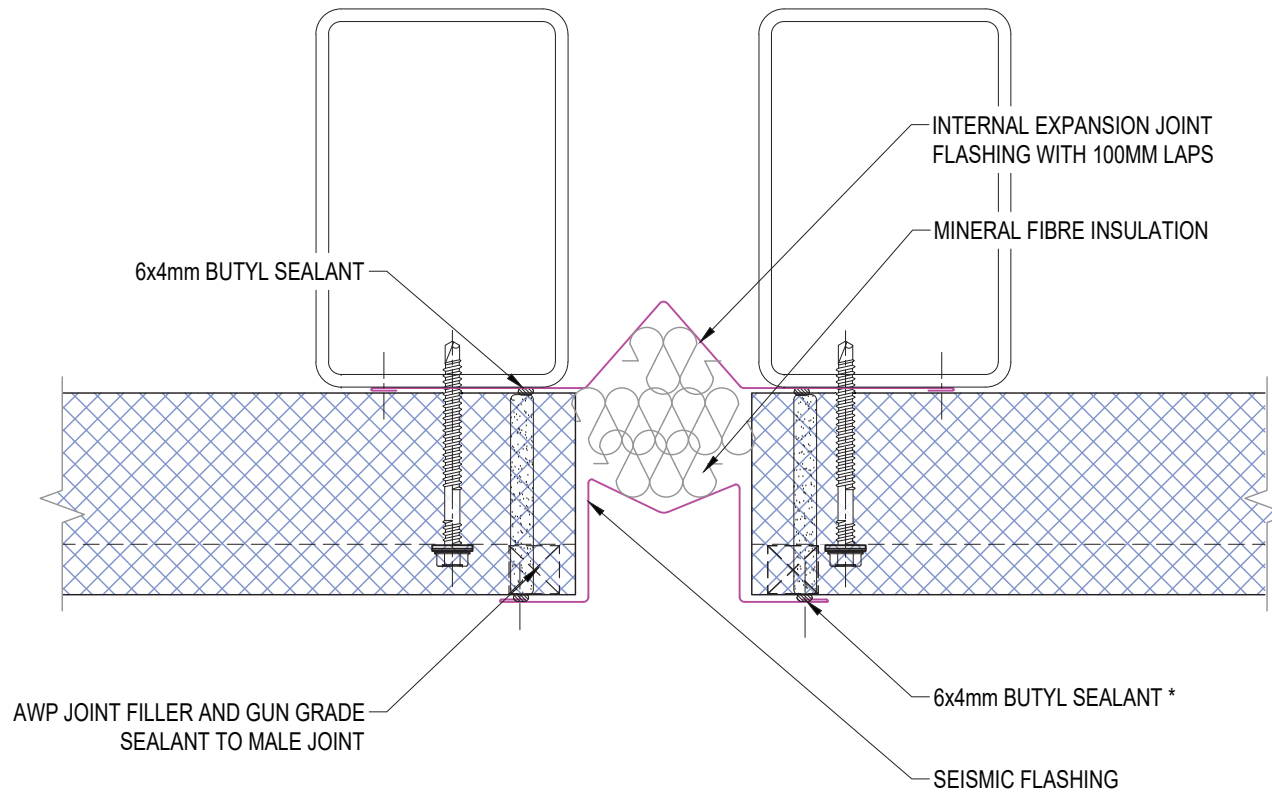
DO NOT SCALE. IF IN DOUBT ASK

New Zealand: Kingspan Ltd  
97 Montreal St, Christchurch, Tel: 03 260 5530, Freephone: 0800 121280  
email: info@kingspanpanels.co.nz www.kingspanpanels.co.nz

# KS1000EVO WALL SEISMIC JOINT DETAIL



KS1000EVO HORIZONTAL SEISMIC UNIT  
(REFER SUPPLIER FOR DETAILS)



\* Note:  
Where flashings cross the WV (Wave) profile use 9 x 6mm thick PVC foam - Not 6x4mm diameter butyl rubber sealant

SYSTEM KS1000EVO WALL HORIZONTAL_STD Q1 2024		
DESCRIPTION KS1000EVO WALL SEISMIC JOINT DETAIL		
APPROVED BY JS	DATE 08.03.24	REVISION -
DRG REF: EVO_HS_52	SCALE 1:2	PAPER SIZE A4

This document remains the property of Kingspan Ltd under copyright laws. Licence is granted to use this document and its contents in connection with Kingspan Ltd products only.  
©Kingspan Ltd

DO NOT SCALE. IF IN DOUBT ASK



New Zealand: Kingspan Ltd  
97 Montreal St, Christchurch, Tel: 03 269 5530, Freephone: 0800 121280  
email: info@kingspanpanels.co.nz www.kingspanpanels.co.nz