

# AFD300 Fire-rated acoustic door set

Issue date: 03/03/2025

Page 1 of 2

### DESCRIPTION

The AFD300 is a hinged single or pair leaf flush panel door leaf hung in a timber frame. It includes frame-mounted perimeter seals and an automatic bottom seal. It's intended for interior installation only.

### Product features

- STC 40 acoustic rating
- 60min fire rating
- Single or pair
- Optional vision panel
- 4 frame options
- Suitable for interior use only
- Compatible with timber stud and masonry wall
- Certified acoustic performance to ISO 140-3
- Meets NZS4520.2010 standard

### PRODUCT OPTIONS

#### Leaf size and wall type

#### Leaf size

The thickness of the AFD300 door leaf is 47mm with an approximate leaf weight of 26kg/m<sup>2</sup>.

The AFD300 with its composite construction to achieve fire and acoustic performance will not exhibit a perfectly straight or flat surface. It may have undulations in the door face of +/- 10mm.

Wall Type	Fire Resistance Rating Stability/Integrity /Insulation	Door Application	STC/Rw Rating	Max Leaf Height (mm)	Max Leaf Width (mm)
Timber Stud Wall	-/60/60sm	Single	40	2400	1200
Masonry Wall		Pair	38	2100	910

#### Notes:

1. Please note that the maximum leaf width shown above is measured per door leaf.
2. The 'sm' above denotes that the door is available as a smoke control door set.
3. Minimum width for a fire door leaf is governed by the need to fit a compliant closer. Typically, 400 mm is the practical minimum.

# Data Sheet

## Wall type

The AFD300 is approved for installation in the following wall systems:

- GBT60a
- GBT(L)IC 60
- GBT(L)A 45r
- GBTL60b
- GBT(L)IC 60a
- GBT(L)IC 45
- GBT(L)A 60
- GBT(L)A 30a
- Masonry block, 140 mm
- GBT(L)A 60r
- GBT(L)A 30b
- Masonry block, 19 mm

Please note that for wall systems with a FRR of less than 60 minutes, the fire rating of the door set will be limited to the rating of the wall system.

## Door Leaf Options

### Leaf facings

The facings listed below are available for the AFD300 door set:

- MDF
- Timber Veneer

Notes:

4. Of the above facings only those marked \* may extend around the door edge.
5. Other facings may be available, please contact Pacific Doors to discuss further options.

## Hardware and Seals

### Hardware

A range of common commercial hardware has been fire tested with the AFD300 door set.

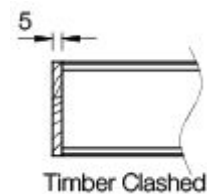
Hardware can be fixed to the door using standard fasteners. The door leaf does not have a solid core so fixing is into the door facings (11mm thick).

Pull handles and door holders must be through fastened.

Concealed hinges are not an option on this door set.

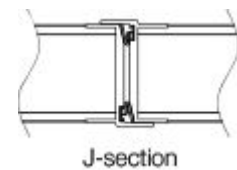
### Leaf edges

All doors are clashed on the vertical edges with solid timber.



### Meeting stiles

The meeting stiles listed below are applicable to paired door sets only.

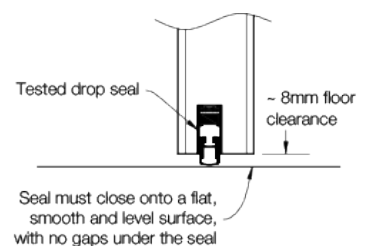


### Seals

The perimeter frame seals are self-adhesive seals mounted in the frame rebate, so are hidden when the door is closed.

The bottom seal is an automatic door seal that lifts clear of the floor when the door is opened. The seal is fully mortised in a groove in the bottom edge of the door.

The bottom seal must close onto a smooth, flat and level surface to seal as intended.

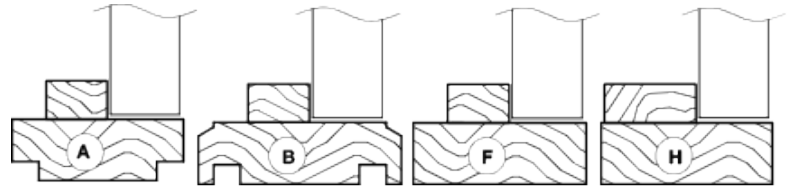


# Data Sheet

## Frame types & profiles

### Timber frame

The timber frame profiles listed below are available for the AFD300 door set. Frame material is hardwood of minimum density 650 kg/m<sup>3</sup>.



### Timber frame

The AFD300 is currently not available in a steel frame.

Standard frames are three-sided only with no sill. Four-sided frames and/or custom sills may be available on request. Timber sills are not available on fire doorsets. For more in depth information on frame profiles and sizes, please see our Installation Instructions.

## Vision Panel

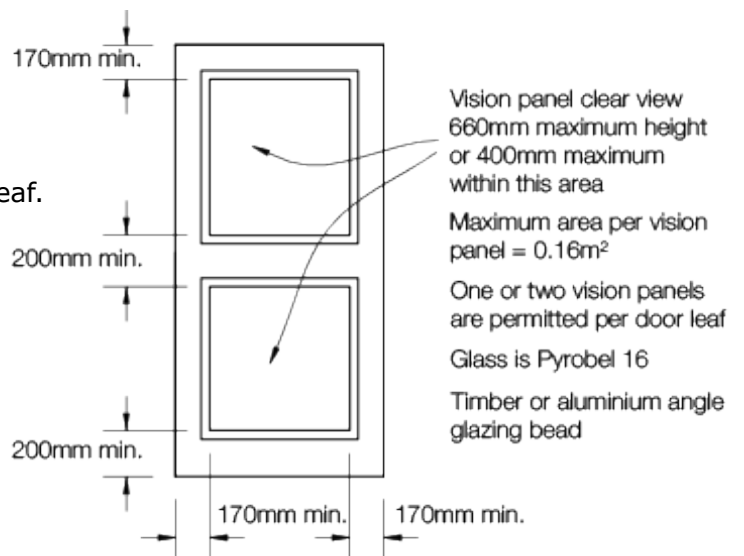
Glazing type	Maximum glazed area		Max height (mm)	Max width (mm)	Stc/rw rating	Glazing bead		Frr with vision panel	
	PER VP	TOTAL				TIMBER	ALUMINIUM	UP TO 0.065M <sup>2</sup>	OVER 0.065M <sup>2</sup>
Pyrobel	0.16m <sup>2</sup>	0.32m <sup>2</sup>	660	400	40	✓	✓	-/60/60	-/60/30

### Notes:

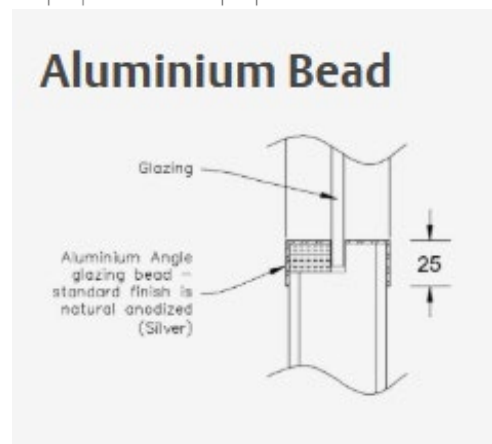
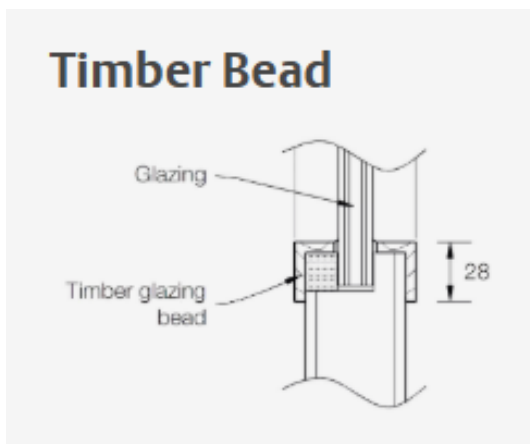
1. Please note that the height and width of the vision panel must still fall within the maximum glazed area.
2. Maximum glazed area is measured per door leaf.

### Circular vision panels

Circular vision panels are not an option on this door set.



### Standard vision panel cross sections



# Data Sheet

## PERFORMANCE

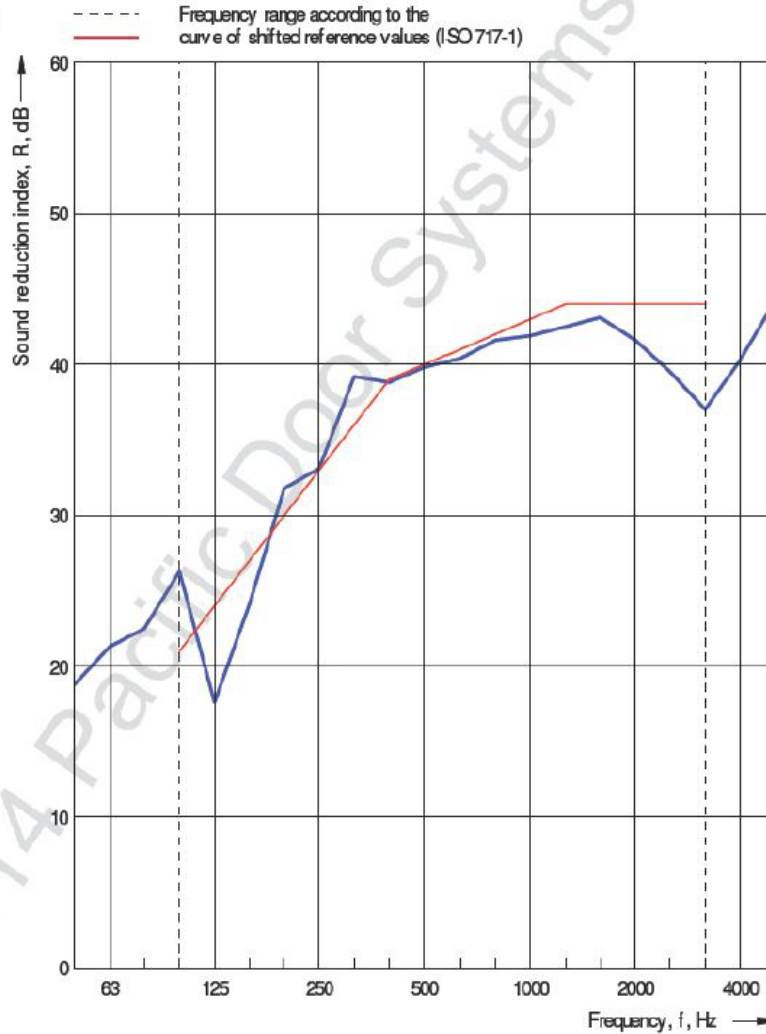
### Thermal insulation

This door leaf has a thermal insulation rating (R-value) of 0.768 Km<sup>2</sup>/W.

### Acoustical performance graphs

Size of test opening: 1.92 m<sup>2</sup>  
 Mass per unit area: 26 kg/m<sup>2</sup>  
 Temperature: °C  
 Air humidity: %  
 Source room volume: 62.3 m<sup>3</sup>  
 Receiving room volume: 56.0 m<sup>3</sup>

Frequency f [Hz]	R 1/3 octave [dB]
50	18.8
63	21.3
80	22.5
100	26.3
125	17.6
160	24.1
200	31.8
250	33.1
315	39.2
400	38.8
500	39.8
630	40.4
800	41.6
1,000	41.9
1,250	42.5
1,600	43.1
2,000	41.6
2,500	39.5
3,150	37.0
4,000	40.3
5,000	44.2



Rating according to ISO 717-1	$R_w(C;C_{tr}) = 40 (-2; -6)$ dB	$C_{50-3150} = -2$ dB	$C_{50-5000} = -2$ dB	$C_{100-5000} = -2$ dB
Evaluation based on laboratory measurement results obtained in one-third-octave bands by an engineering method.		$C_{tr,50-3150} = -7$ dB	$C_{tr,50-5000} = -7$ dB	$C_{tr,100-5000} = -6$ dB

## ADDITIONAL DOOR OPTIONS

### Push or kickplates

Kickplates of any kind can be surface mounted to this door set.

### Not an option on this door

- V-Grooves
- Over panels
- Side light and over light