

## Pacific XT60 Exterior Fire Door

### DESCRIPTION

The XT60 fire door set is suitable for exterior use and comes with a timber frame. The door leaf is a solid laminated veneer lumber (LVL) core faced with marine grade plywood. The standard door set is supplied with sealer coat on all sides, ready for priming and painting.

### Product Features

- 60min fire rating
- Single leaf only
- Optional exterior grade vision panel available
- Compatible with timber stud plasterboard walls only
- Suitable for exterior use
- Meets NZS4520.2010 standard

### PRODUCT OPTIONS

#### Leaf size and wall type

#### Leaf size

Timber-framed smoke control doors include a seal in the frame. If required, bottom seals can be selected from the Hardware list.

The thickness of the XT60 door leaf is 45mm with an approximate leaf weight of 24kg/m<sup>2</sup>

Wall Type	Jamb Type	Fire Resistance Rating Stability/Integrity/Insulation	Door Application	Max Leaf Height (mm)	Max Leaf Width (mm)
Timber Stud Wall	Timber	-/60/60sm	Single	2400	1000

Note:

1. The 'sm' above denotes that the door is available as a smoke control door set.

#### Wall type

The XT60 can be installed in timber stud plasterboard walls only.

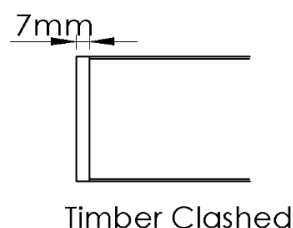
#### Door Leaf Options

#### Leaf facings

- Paint quality factory sealed

#### Leaf edge

The leaf edge listed here is available for the XT60 door set



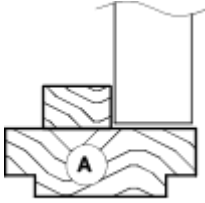
- 7 mm hardwood clashing to leading edge (Singles)

**Meeting Stiles** This door set is not available as a pair.

## Frame types & profiles

**Timber frame** The timber frame profiles listed below are available for the XT60 door set.

- Only available in hardwood (Garapa) timber – density 780 kg/m<sup>3</sup>.



**Steel frame** This door set is only available in a timber frame.

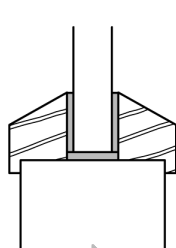
## Vision Panel

Glazing Type	Maximum Glazed Area (mm)	Max Height (mm)	Max Width (mm)	Glazing Bead		FRR with Vision Panel
				Timber	Aluminium	
Pyranova 60 S3.0 (Pyro 27mm)	0.5	1100	500	√		-/60/60

### Notes:

- Circular vision panels are not available.
- The height and width of the vision panel/s must still fall within the maximum glazed area.
- Vision panel only approved for 54mm Pacific XT60 exterior fire door.
- The distance between the vision panel cutout and any item of hardware shall be at least 60 mm.
- Pyro 27 mm fire glass is used for all options. In exterior applications Pyro 23 is replaced with Pyro 27 as an extra layer of UV shielding is added to one side, size limitations remain the same. For this reason, the exterior face of the door needs to be noted when detailing

## Standard Vision Panel Cross Sections

Timber Bead	Aluminium Bead
	Not Applicable for this door set

### Note:

1. Only available in Garapa hardwood, bevelled bead.

## Optional extras

**Push or kickplates** 1 mm stainless steel kickplate to 500 mm high (Glue fixed, inside stops only)

If interested in Overpanels, Sidelights and Overlights, please refer to the VP60 datasheet