

Pacific TB60 Economy Fire Door

DESCRIPTION

The TB60 fire door set is ideal for interior use and comes with a timber frame. It is the most economical option among our product lines, yet it does not compromise on quality or fire safety standards.

Product Features

- 60min fire rating
- Single or pair
- 4 facing options
- 3 frame options
- 2 glass options
- Ventilation grilles available
- Compatible with timber stud, steel stud, and masonry walls
- Meets NZS4520.2010 standard

PRODUCT OPTIONS

Leaf size and wall type

Leaf size

Timber-framed smoke control doors include a seal in the frame. If required, bottom seals can be selected from the Hardware list.

The thickness of the TB60 door leaf is 55mm, with an approximate leaf weight of 35.2kg/m².

Wall Type	Jamb Type	Fire Resistance Rating Stability/Integrity/Insulation	Door Application	Max Leaf Height (mm)	Max Leaf Width (mm)
Timber Stud Wall	Timber	-/60/60sm	Single	2420	1000
			Pair	2200	938*
Steel Stud Wall					
*Masonry Wall					

Notes:

1. Minimum width for pair doorset is 380mm.*
2. For pair door, any leaf larger than 592mm must be fitted with thermal bolt
3. The 'sm' above denotes that the door is available as a smoke control door set.

Wall type

The TB60 can be installed in masonry walls, timber stud and steel stud drywalls of at least 60-minute fire resistance.

Door Leaf Options

Leaf facings

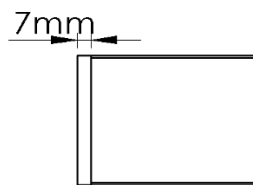
- MDF
- Ply
- Timber veneers
- High pressure laminate up to 1.5mm thick (e.g. Laminex, Formica)

Notes:

1. Other facings may be available. Please get in touch with Pacific Doors to discuss further options.

Leaf edge

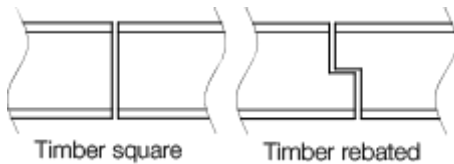
The leaf edges listed here are available for the TB60 door set



Timber Clashed

- 7 mm hardwood clashing to leading edge (Singles)

Meeting Stiles

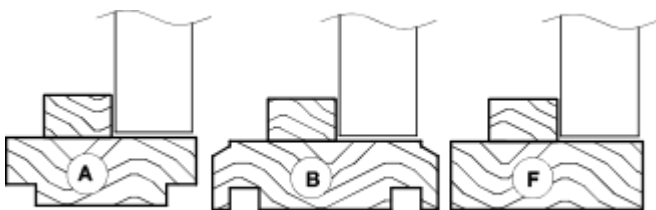


- Rebated - 18 mm hardwood clashing to lead edge
- Square - 7 mm hardwood clashing to the leading edge

Frame types & profiles

Timber frame The timber frame profiles listed below are available for the TB60 door set.

Timber density requirements exclude some species of timber. Timber must be a hardwood with minimum density of 600kg/m³



Steel frame This door set is only available in a timber frame.

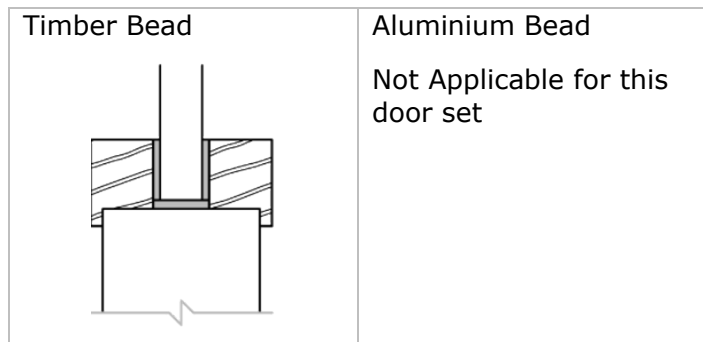
Vision Panel

Glazing Type	Maximum Glazed Area(mm)	Max Height (mm)	Max Width (mm)	Glazing Bead		FRR with Vision Panel
				Timber	Aluminium	
Pyranova 60 S3.0 (Pyro 23mm)	0.66	1100	600	✓		-/60/60
Pyranova 30 S3.0 (Pyro 15mm)	0.33	815	400	✓		-/60/30

Notes:

- Up to two vision panels allowed in a single leaf (only when using Pyro23 glass). Please refer to the details below for limitations around two vision panels.
- Circular vision panels are not available.
- The height and width of the vision panel/s must still fall within the maximum glazed area.
- The distance between the vision panel cutout and any item of hardware shall be at least 60 mm.

Standard Vision Panel Cross Sections



PERFORMANCE

Acoustical Performance

An acoustic rating of STC 34 is available for this doorset.

PRODUCT OPTIONAL EXTRAS

Ventilation Grilles

Lorient LVH intumescent grilles are available in the following sizes:

- 300 x 300 mm
- 450 x 450 mm

Please note that fire doors with ventilation grilles cannot be certified as 'Smoke control' door sets.

Intumescent grilles are available to a maximum rating of -/60/30.

Optional extras **not available** on this door type, include V-Grooves.

If interested in Overpanels, Sidelights and Overlights, please refer to the VP60 datasheet

