

Pacific TB30 Economy Fire Door

DESCRIPTION

The TB30 fire door set is ideal for interior use and comes with a timber frame. It is the most economical option among our product lines, yet it does not compromise on quality or fire safety standards.

Product Features

- 30min fire rating
- Single or pair
- 4 facing options
- 3 frame options
- 1 glass options
- Compatible with timber stud, steel stud, and masonry walls
- Meets NZS4520.2010 standard

PRODUCT OPTIONS

Leaf size and wall type

Leaf size

Timber-framed smoke control doors include a seal in the frame. If required, bottom seals can be selected from the Hardware list.

The thickness of the TB30 door leaf is 45mm, with an approximate leaf weight of 22.88kg/m².

The Maximum allowed leaf size for the TB30 is given by a straight line passing through the following two points:

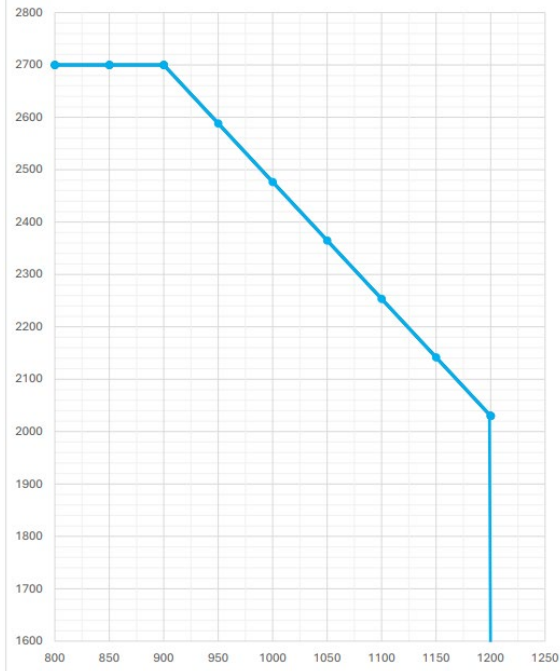
Wall Type	Jamb Type	Fire Resistance Rating Stability/Integrity/Insulation	Door Application	Max Leaf Height (mm)	Max Leaf Width (mm)
Timber Stud Wall	Timber	-/30/30sm	Single or Pair	2700	900
Steel Stud Wall			Single or Pair	2030	1200
Masonry Wall					

Notes:

1. The 'sm' above denotes that the door is available as a smoke control door set.
2. Please see the below graph for clarity.

Data Sheet

TB30 size restrictions



Wall type

The TB30 can be installed in masonry walls, timber stud and steel stud drywalls of at least 30-minute fire resistance.

Door Leaf Options

Leaf facings

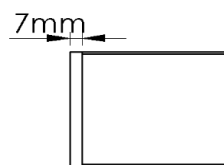
- Paint quality factory sealed
- Vinyl to 1000 mm
- Timber veneers
- High pressure laminate up to 1.5mm thick (e.g. Laminex, Formica)

Notes:

1. Other facings may be available. Please get in touch with Pacific Doors to discuss further options.

Leaf edge

The leaf edges listed here are available for the TB30 door set

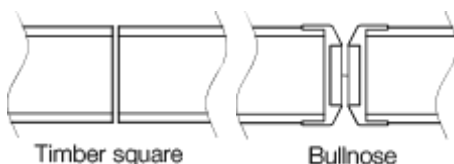


Timber Clashed

- 7 mm pine clashing

Meeting Stiles

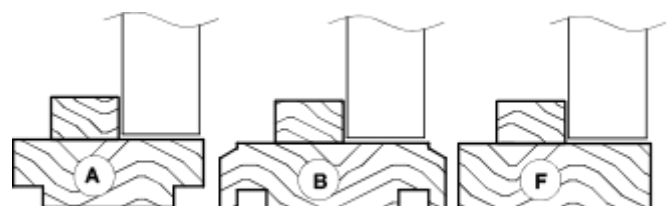
The meeting stiles listed below are applicable to paired door sets only.



- Timber square - 7 mm pine clashing

Frame types & profiles

Timber frame The timber frame profiles listed here are available for the TB30 door set.



Steel frame This door set is only available in a timber frame.

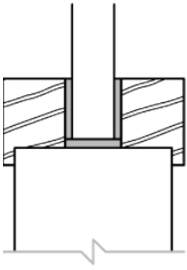
Vision Panel

Glazing Type	Maximum Glazed Area(mm)	Max Height (mm)	Max Width (mm)	Glazing Bead		FRR with Vision Panel
				Timber	Aluminium	
Pyranova 30 S3.0 (Pyro 15mm)	0.72	1200	600	√		-/30/30

Notes:

- Multiple vision panels in a leaf are not allowed.
- Circular vision panels are not available.
- The height and width of the vision panel must still fall within the maximum glazed area.
- Vision panel only approved for 55mm thick leaf. Leaf size restricted to 2400 x 1000 mm for single doors, 2200 x 380 (min) / 938 (max) mm for pair doors (For pair doors, any leaf larger than 592mm must be fitted with thermal bolt).
- The distance between the vision panel cutout and any item of hardware shall be at least 60 mm.

Standard Vision Panel Cross Sections

<p>Timber Bead</p> 	<p>Aluminium Bead</p> <p>Not Applicable for this door set</p>
--	---

Optional extras are **not available** on this door type, including ventilation grilles and V-Grooves.

If interested in Overpanels, Sidelights and Overlights, please refer to the VP30 datasheet

PERFORMANCE

Acoustical Performance

An acoustic rating of STC 33 is available for this doorset.