



blum

ORGA-LINE

Inner dividing system for organising
TANDEMBOX

www.blum.com



So many practical advantages

Our practical and versatile ORGA-LINE inner dividers are suitable for just about anything you want to store, designed to complement TANDEMBOX drawers and make your experience more satisfying. ORGA-LINE sets with high quality stainless steel trays and utensil dividers ensure a better quality of living. Because that's what's important to us, making sure your furniture needs are met, now and in the future.





Contents

- 4 Tips for a practical kitchen
- 6 ORGA-LINE features
- 8 Cutlery ideas
- 10 Utensil ideas
- 12 ORGA-LINE programme
- 14 ORGA-LINE for deep pull-outs
- 16 Pricing and ordering
- 18 moving ideas



What makes a kitchen practical?

The kitchen you opt for will last you for 15 years or more. So put time and thought into your purchase – don't just focus on aesthetics. It's the cabinetry hardware that makes a kitchen practical.

We've been analysing kitchen users' needs for years and are always coming up with innovative solutions for a better quality of living. That's our job.



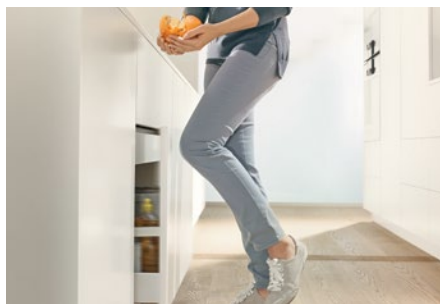
Ergonomics

With order and organisation, work becomes effortless. Smooth workflows are possible in every kitchen. Ask your kitchen planner about 'good ergonomics' and make sure everything's within easy reach.



Storage

Wide, high and deep drawers use more of the space available. SPACE TOWER is the ideal pantry solution to suit every kitchen, easily accessible from all three sides.



Motion

Easy opening and silent, effortless closing of drawers make the kitchen a pleasure to work in. SERVO-DRIVE uno can be added to your rubbish and cleaning drawer for ultimate access and ease of use.



Design

Our storage, your designs. Why sacrifice design or functionality, when you can have both? Tell your kitchen planner what your needs and requirements are to ensure your kitchen suits you.

Practical clean-up

- Cutlery stays perfectly organised in high quality, hygienic stainless steel trays. The container trays are removable and dishwasher safe.
- It's not just kitchens that get messy, ORGA-LINE is also suitable for office stationery, bathroom vanities and living areas.



Practical overview

- Storage items of every shape and size are a perfect fit for ORGA-LINE, giving you an overview of everything. ORGA-LINE is adaptable to your current and future needs.
- The inner dividing system design allows for cross divisions to be moved, as well as giving you the option of adding additional divisions.





Practical flexibility

- We all use our kitchens differently, which is why ORGA-LINE is flexible. It can be easily re-arranged according to your personal storage requirements.
- Re-configure the drawers so that items you use most often are highly accessible.



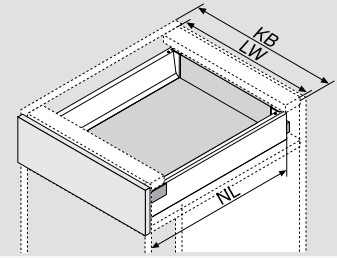
Cutlery Ideas

Description

- ORGA-LINE is practical for kitchen applications as well as other areas of the home - office stationery, bathroom, laundry, odds and ends
- For drawers and inner drawers with cabinet widths 275 to 1200 mm
- Available in nominal lengths to suit 450, 500 and 550 mm
- Removable container trays are high quality stainless steel and dishwasher safe
- Can be combined with a film dispenser, foil dispenser or knife holder
- All images below show ORGA-LINE to suit 500mm nominal length

Order specification

Space requirement



KB	Cabinet width
LW	Inner cabinet width
NL	Nominal length

Cabinet widths 275–299 mm



Frame length	Part No.
424 mm	ZSI.450BI1N
474 mm	ZSI.500BI1N
524 mm	ZSI.550BI1N

Cabinet widths 300–399 mm



Frame length	Part No.
424 mm	ZSI.450BI2N
474 mm	ZSI.500BI2N
524 mm	ZSI.550BI2N

Cabinet width 450 mm



Frame length	Part No.
424 mm	Set ◀ ZSI.45VEI4
474 mm	Set ◀ ZSI.45VEI6
524 mm	Set ◀ ZSI.45VEI7

Cabinet widths 400–549 mm



Frame length	Part No.
424 mm	ZSI.450BI3N
474 mm	ZSI.500BI3
524 mm	ZSI.550BI3

Cabinet width 500 mm



Frame length	Part No.
424 mm	Set ◀ ZSI.50VEI4
474 mm	Set ◀ ZSI.50VEI6
524 mm	Set ◀ ZSI.50VEI7

Cabinet widths 550–599 mm



Frame length	Part No.
424 mm	ZSI.450BI1N + ZSI.450BI3N
474 mm	ZSI.500BI1N + ZSI.500BI3
524 mm	ZSI.550BI1N + ZSI.550BI3

Cabinet width 600 mm



Frame length	Part No.
424 mm	ZSI.450BI1N + ZSI.450BI3N
474 mm	Set ◀ ZSI.60VEI6
524 mm	Set ◀ ZSI.60VEI7

Cabinet widths 601–651 mm



Frame length	Part No.
424 mm	ZSI.450BI1N + ZSI.450BI3N
474 mm	ZSI.500BI1N + ZSI.500BI3
524 mm	ZSI.550BI1N + ZSI.550BI3

Cabinet width 651–751 mm



Frame length	Part No.
424 mm	ZSI.450BI2N + ZSI.450BI3N
474 mm	ZSI.500BI2N + ZSI.500BI3
524 mm	ZSI.550BI2N + ZSI.550BI3

◀ Kitset for exact modular widths



Cabinet width 800 mm

Frame length		Part No.
424 mm		2x ZSI.450BI3N
474 mm	Set ◀	ZSI.80VEI6
524 mm	Set ◀	ZSI.80VEI7

Cabinet widths 751–851 mm

Frame length		Part No.
424 mm		2x ZSI.450BI3N
474 mm		2x ZSI.500BI3
524 mm		2x ZSI.550BI3

Cabinet width 900 mm

Frame length		Part No.
424 mm		ZSI.450BI3N + ZSI.450KI4N
474 mm	Set ◀	ZSI.90VEI6
524 mm	Set ◀	ZSI.90VEI7

Cabinet widths 851–999 mm

Frame length	Part No.
424 mm	ZSI.450BI3N + ZSI.450KI4N
474 mm	ZSI.500BI3 + ZSI.500KI4
524 mm	ZSI.550BI3 + ZSI.550KI4

Cabinet widths 1000–1099 mm

Frame length	Part No.
424 mm	2x ZSI.450KI4N
474 mm	2x ZSI.500KI4
524 mm	2x ZSI.550KI4

Cabinet widths 1100–1199 mm

Frame length	Part No.
424 mm	2x ZSI.450BI3N + ZSI.450FI2N
474 mm	2x ZSI.500BI3 + ZSI.500FI2N
524 mm	2x ZSI.550BI3 + ZSI.550FI2N

Cabinet width 1200 mm

Frame length	Part No.
424 mm	ZSI.450BI3N + ZSI.450FI2N + ZSI.450KI4N
474 mm	ZSI.500BI3 + ZSI.500FI2N + ZSI.500KI4
524 mm	ZSI.550BI3 + ZSI.550FI2N + ZSI.550KI4

Combination cutlery & utensil 751–851 mm

Frame length	Part No.
424 mm	ZSI.450KI3N + ZSI.450BI3N
474 mm	ZSI.500KI3N + ZSI.500BI3
524 mm	ZSI.550KI3N + ZSI.550BI3

Combination cutlery & utensil 851–1000mm

Frame length	Part No.
424 mm	ZSI.450KI3N + ZSI.450KI4N
474 mm	ZSI.500KI3N + ZSI.500KI4
524 mm	ZSI.550KI3N + ZSI.550KI4

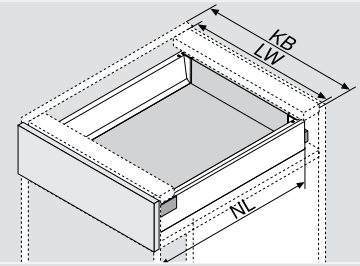
Utensil Ideas

Description

- ORGA-LINE is practical for kitchen applications as well as other areas of the home - office stationery, bathroom, laundry, odds and ends
- For drawers and inner drawers with cabinet widths 275 to 1200 mm
- Available in nominal lengths to suit 450, 500 and 550 mm
- Removable container trays are high quality stainless steel and dishwasher safe
- Can be combined with a film dispenser, foil dispenser or knife holder
- All images below show ORGA-LINE to suit 500mm nominal length

Order specification

Space requirement



KB	Cabinet width
LW	Inner cabinet width
NL	Nominal length

Cabinet widths 275–349 mm



Frame length	Part No.
424 mm	ZSI.450BI1N
474 mm	ZSI.500BI1N
524 mm	ZSI.550BI1N

Cabinet widths 350–449 mm



Frame length	Part No.
424 mm	ZSI.450KI2N
474 mm	ZSI.500KI2N
524 mm	ZSI.550KI2N

Cabinet widths 450–599 mm



Frame length	Part No.
424 mm	ZSI.450FI2N
474 mm	ZSI.500FI2N
524 mm	ZSI.550FI2N

Cabinet width 600 mm



Frame length	Part No.
424 mm	ZSI.450BI1N + ZSI.450KI3N
474 mm	Set ◀ ZSI.60VUI6
524 mm	Set ◀ ZSI.60VUI7

Cabinet widths 601–651 mm



Frame length	Part No.
424 mm	ZSI.450BI1N + ZSI.450KI3N
474 mm	ZSI.500BI1N + ZSI.500KI3N
524 mm	ZSI.550BI1N + ZSI.550KI3N

Cabinet widths 651–751 mm



Frame length	Part No.
424 mm	ZSI.450KI2N + ZSI.450KI3N
474 mm	ZSI.500KI2N + ZSI.500KI3N
524 mm	ZSI.550KI2N + ZSI.550KI3N

Cabinet width 800 mm



Frame length	Part No.
424 mm	2x ZSI.450KI3N
474 mm	Set ◀ ZSI.80VUI6
524 mm	Set ◀ ZSI.80VUI7

Cabinet width 751–851 mm



Frame length	Part No.
424 mm	2x ZSI.450KI3N
474 mm	2x ZSI.500KI3N
524 mm	2x ZSI.550KI3N

Cabinet width 900 mm



Frame length	Part No.
424 mm	ZSI.450BI1N + ZSI.450FI2N + ZSI.450KI3N
474 mm	Set ◀ ZSI.90VUI6
524 mm	Set ◀ ZSI.90VUI7

◀ Kitset for exact modular widths



Cabinet widths 851–999 mm

Frame length	Part No.
424 mm	2 x ZSI.450KI3N
474 mm	2 x ZSI.500KI3N
524 mm	2 x ZSI.550KI3N

Cabinet widths 1000–1099 mm

Frame length	Part No.
424 mm	2 x ZSI.450KI2N + ZSI.450FI3
474 mm	2 x ZSI.500KI2N + ZSI.500FI3
524 mm	2 x ZSI.550KI2N + ZSI.550FI3

Cabinet widths 1100–1199 mm

Frame length	Part No.
424 mm	2 x ZSI.450KI3N + ZSI.450FI2N
474 mm	2 x ZSI.500KI3N + ZSI.500FI2N
524 mm	2 x ZSI.550KI3N + ZSI.550FI2N

Cabinet width 1200 mm

Frame length	Part No.
424 mm	2 x ZSI.450KI3N + ZSI.450FI3
474 mm	2 x ZSI.500KI3N + ZSI.500FI3
524 mm	2 x ZSI.550KI3N + ZSI.550FI3

Combination cutlery & utensil 751–851 mm

Frame length	Part No.
424 mm	ZSI.450KI3N + ZSI.450BI3N
474 mm	ZSI.500KI3N + ZSI.500BI3
524 mm	ZSI.550KI3N + ZSI.550BI3

Combination cutlery & utensil 851–1000 mm

Frame length	Part No.
424 mm	ZSI.450KI3N + ZSI.450KI4N
474 mm	ZSI.500KI3N + ZSI.500KI4
524 mm	ZSI.550KI3N + ZSI.550KI4



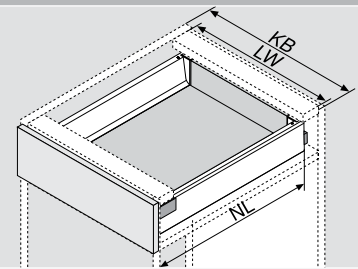
ORGA-LINE programme

Description

- ORGA-LINE is practical for kitchen applications as well as other areas of the home - office stationery, bathroom, laundry, odds and ends
- For drawers and inner drawers with cabinet widths 275 to 1200 mm
- Available in nominal lengths to suit 450, 500 and 550 mm
- Removable container trays are high quality stainless steel and dishwasher safe
- Can be combined with a film dispenser, foil dispenser or knife holder
- All images below show ORGA-LINE to suit 500mm nominal length

Order specification

Space requirement



KB	Cabinet width
LW	Inner cabinet width
NL	Nominal length

Set BI1

Frame length	Part No.
424 mm	ZSI.450BI1N
474 mm	ZSI.500BI1N
524 mm	ZSI.550BI1N

Set BI2

Frame length	Part No.
424 mm	ZSI.450BI2N
474 mm	ZSI.500BI2N
524 mm	ZSI.550BI2N

Set BI3

Frame length	Part No.
424 mm	ZSI.450BI3N
474 mm	ZSI.500BI3
524 mm	ZSI.550BI3

Set KI2

Frame length	Part No.
424 mm	ZSI.450KI2N
474 mm	ZSI.500KI2N
524 mm	ZSI.550KI2N

Set KI3

Frame length	Part No.
424 mm	ZSI.450KI3N
474 mm	ZSI.500KI3N
524 mm	ZSI.550KI3N

Set KI4

Frame length	Part No.
424 mm	ZSI.450KI4N
474 mm	ZSI.500KI4
524 mm	ZSI.550KI4

Set FI2

Frame length	Part No.
424 mm	ZSI.450FI2N
474 mm	ZSI.500FI2N
524 mm	ZSI.550FI2N

Set FI3

Frame length	Part No.
424 mm	ZSI.450FI3
474 mm	ZSI.500FI3
524 mm	ZSI.550FI3

Adjustable cross dividers

Width	Part No.
88 mm	ZSI.010Q
176 mm	ZSI.020Q



Container trays

Tray size	Part No.
88 x 88 mm	ZSI.010SI
88 x 176 mm	ZSI.020SI
88 x 264 mm	ZSI.030SI
88 x 352 mm	ZSI.040SI

Spice holder

Cabinet width	Part No.
300 mm (width 212 mm)	ZFZ.30G0I
450 mm (width 362 mm)	ZFZ.45G0I

Plate holder

Stacking: up to 12 plates	Part No.
Ø plates 186–322 mm	ZC7T0350
Total height 170 mm	

Film dispenser

	Part No.
For plastic film	ZSZ.01F1

Set of film & foil fit into utensil frame 194 mm wide

Foil dispenser

	Part No.
For aluminium foil	ZSZ.02F1

Set of film & foil fit into utensil frame 194 mm wide

Knife holder

	Part No.
For 9 knives	ZSZ.02M0

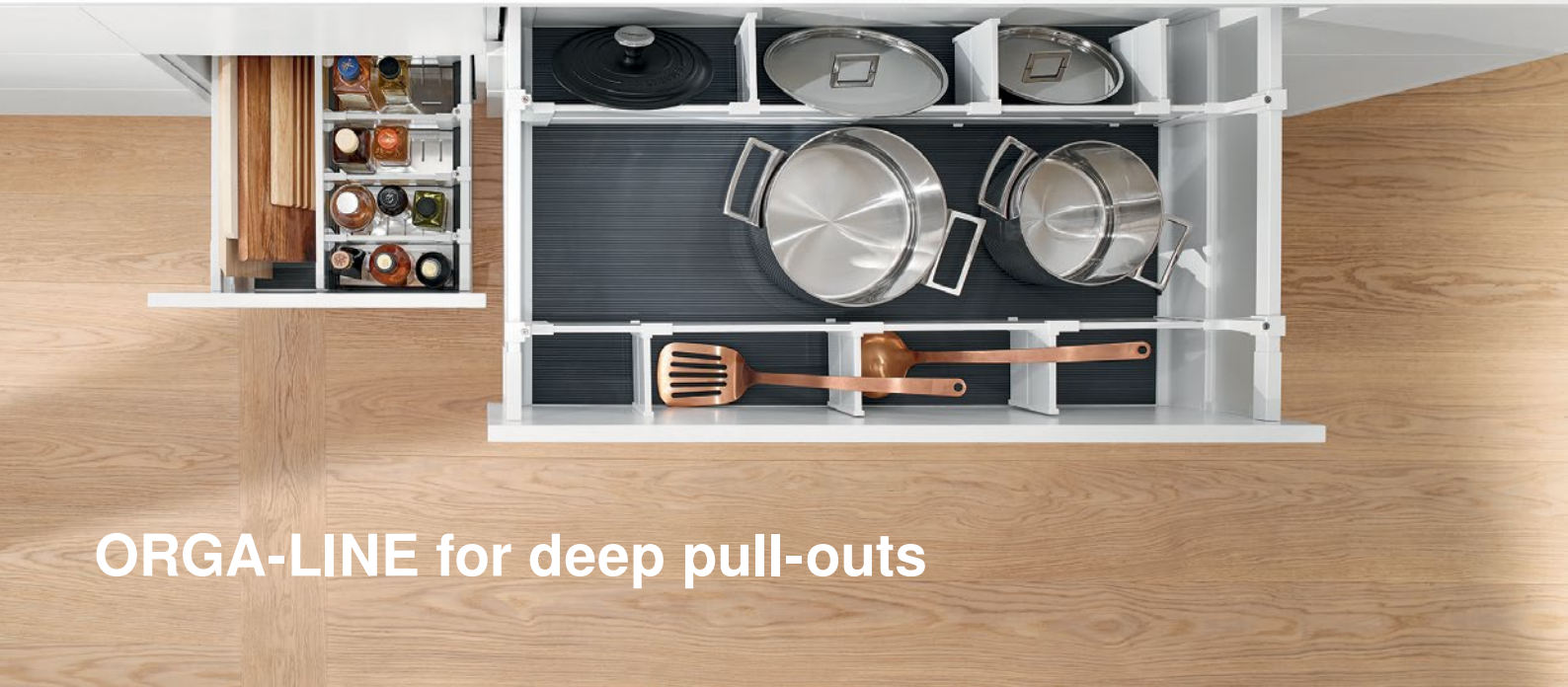
Knife holder fits into utensil frame 194 mm wide

i Examples of placement of kitchen accessories

1x ZSZ.01F1 + 1x ZSZ.02F1

Or: 1x ZSZ.02M0

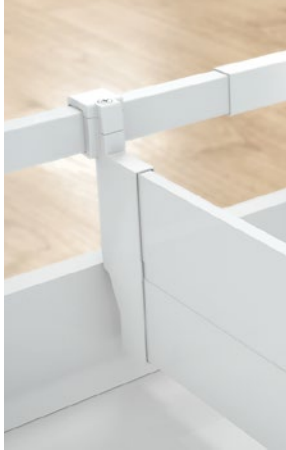
NL - 26



ORGA-LINE for deep pull-outs

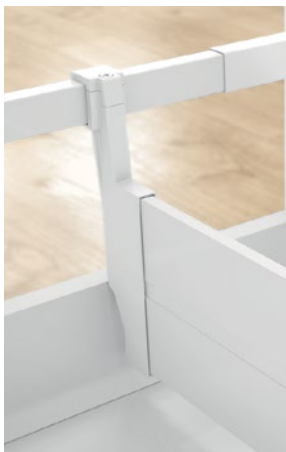
Cross divider

Cross gallery



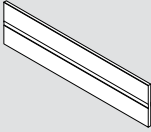
Cross divider, C height

Cross gallery

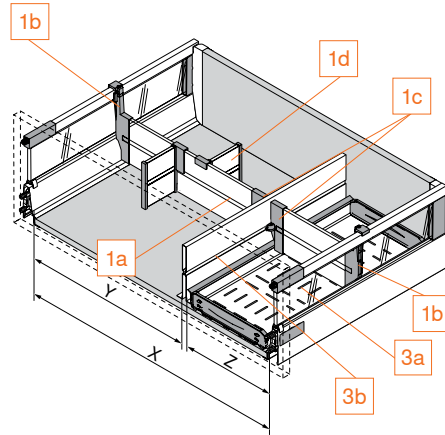


Cross divider, D height

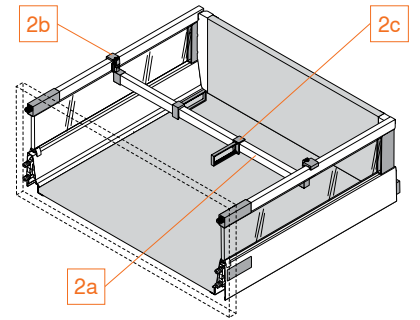
Order specification

1a Cross divider for cutting to size	
	
For KB up to 1200mm	Part No.
Silk white	Z40L1077A
Aluminium for cutting to size	
Cutting:	X = LW - 91 mm
Y = LW - 295 (KB 275)	Y = LW - 320 mm (KB 300)
Z = 152 mm (KB 275)	Z = 177 mm (KB 300)


Cross divider

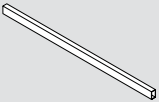


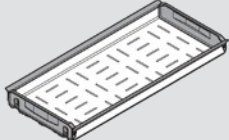
Cross gallery





i The cross gallery cannot be used in combination with a dividing wall.

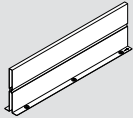
1b Cross divider connector	
	
Connects to gallery rail	Part No.
For C height	Z40C0002Z
For D height	Z40D0002Z
Silk white	

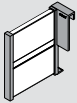
2a Cross gallery for cutting to size	
	
For KB up to 1200mm	Part No.
Silk white	ZRG.1104Q
Aluminium for cutting to size	
Cutting: LW - 63 mm	

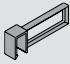
3a Bottle rack	
	
For KB 300mm	Part No.
For NL 500mm	Z48.30B016
For NL 550mm	Z48.30B017

1c Cross divider connector	
	
Connects to dividing wall	Part No.
Silk white	Z40L0002

2b Cross gallery connector	
	
	Part No.
Silk white	ZRU.01E0

3b Dividing wall	
	
Not available for inner pull-outs	
Silk white	Part No.
For NL 500mm	Z46L470S
For NL 550mm	Z46L520S

1d Longside divider	
	
	Part No.
Silk white	Z43L100S

2c Longside divider for cross gallery	
	
	Part No.
Silk white	ZRU.11F0

KB	Cabinet width
LW	Inner cabinet width
NL	Nominal length



ORGA-LINE for TANDEMBOX M height - Individual trays

ZSI.010SI	88 x 88mm - 1/4 Square stainless steel cutlery single tray only	057 269 00	\$10.14
ZSI.020SI	88 x 176mm - 1/2 Small stainless steel cutlery single tray only	057 283 80	\$12.32
ZSI.030SI	88 x 264mm - 3/4 Medium stainless steel cutlery single tray only	057 295 10	\$14.50
ZSI.040SI	88 x 352mm - 1 Large stainless steel cutlery single tray only	057 297 80	\$22.83

ORGA-LINE for TANDEMBOX M height - Cutlery

ZSI.450BI1N	Cutlery insert - 103W for nominal length 450mm (Includes 1 large tray)	067 002 30	\$77.09
ZSI.500BI1N	Cutlery insert - 103W for nominal length 500mm (Includes 1 large & 1 square trays)	067 000 70	\$93.77
ZSI.550BI1N	Cutlery insert - 103W for nominal length 550mm (Includes 1 large & 1 square trays)	066 988 00	\$112.57

ZSI.450BI2N	Cutlery insert - 192W for nominal length 450mm (Includes 2 medium & 1 small trays)	066 998 00	\$100.82
ZSI.500BI2N	Cutlery insert - 192W for nominal length 500mm (Includes 2 medium & 2 small trays)	066 985 80	\$119.05
ZSI.550BI2N	Cutlery insert - 192W for nominal length 550mm (Includes 2 medium & 2 small trays)	066 984 00	\$138.75

ZSI.450BI3N	Cutlery insert - 280W for nominal length 450mm (Includes 4 medium trays)	069 086 50	\$119.45
ZSI.500BI3	Cutlery insert - 280W for nominal length 500mm (Includes 3 medium & 3 small trays)	036 952 80	\$147.56
ZSI.550BI3	Cutlery insert - 280W for nominal length 550mm (Includes 3 medium & 3 small trays)	036 953 60	\$167.60

ORGA-LINE for TANDEMBOX M height - Kitsets for exact modular width cutlery drawers

ZSI.45VEI4	Cutlery kitset 450W drawer front - 424D for nominal length 450mm	Set ◀	067 424 00	\$185.41
ZSI.50VEI4	Cutlery kitset 500W drawer front - 424D for nominal length 450mm	Set ◀	067 445 00	\$186.09

ZSI.45VEI6	Cutlery kitset 450W drawer front - 474D for nominal length 500mm	Set ◀	067 150 00	\$214.15
ZSI.50VEI6	Cutlery kitset 500W drawer front - 474D for nominal length 500mm	Set ◀	067 152 60	\$214.83
ZSI.60VEI6	Cutlery kitset 600W drawer front - 474D for nominal length 500mm	Set ◀	067 154 00	\$247.04
ZSI.80VEI6	Cutlery kitset 800W drawer front - 474D for nominal length 500mm	Set ◀	067 208 50	\$300.29
ZSI.90VEI6	Cutlery kitset 900W drawer front - 474D for nominal length 500mm	Set ◀	067 204 00	\$337.35

ZSI.45VEI7	Cutlery kitset 450W drawer front - 524D for nominal length 550mm	Set ◀	067 447 90	\$252.65
ZSI.50VEI7	Cutlery kitset 500W drawer front - 524D for nominal length 550mm	Set ◀	067 435 50	\$253.33
ZSI.60VEI7	Cutlery kitset 600W drawer front - 524D for nominal length 550mm	Set ◀	067 461 40	\$285.87
ZSI.80VEI7	Cutlery kitset 800W drawer front - 524D for nominal length 550mm	Set ◀	067 439 80	\$342.50
ZSI.90VEI7	Cutlery kitset 900W drawer front - 524D for nominal length 550mm	Set ◀	067 451 70	\$386.94

ORGA-LINE for TANDEMBOX - Kitchen accessories

ZC7T0350	Plate holder - 170H Up to 12 plates, Ø 186-322mm. Suitable for C & D height	013 668 48	\$117.90
ZFZ.30G01	Spice holder - Small 212W x 120H suits a 300mm wide module. Suitable for B, C & D height	038 523 06	\$49.16
ZFZ.45G01	Spice holder - Large 362W x 120H suits a 450mm wide module. Suitable for B, C & D height	062 785 81	\$71.88
ZSZ.02M0	Knife holder - 176W Up to 9 knives. Suitable for M height TANDEMBOX, with wide utensil void	064 846 00	\$69.52
ZSZ.01F1	Film dispenser - for plastic wrap 90W x 64H x 410D. Suitable for M height, set fits with wide utensil void	091 528 10	\$112.36
ZSZ.02F1	Foil dispenser - for aluminium foil 90W x 64H x 410D. Suitable for M height, set fits with wide utensil void	091 529 80	\$105.33

ORGA-LINE for TANDEMBOX D height - Bottle store sets and drip trays

		SILK WHITE	
	Bottle store set for nominal length 500mm, cabinet widths greater than 300mm	380 092 51	\$305.24
	Bottle store set for nominal length 550mm, cabinet widths greater than 300mm	380 092 69	\$330.96
Z48.30B016	Stainless steel drip tray only for 300W front - nominal length 500mm	040 504 40	\$127.73
Z48.30B017	Stainless steel drip tray only for 300W front - nominal length 550mm	044 769 30	\$151.76

◀ **Kitset for exact modular widths**

All prices are **RETAIL** excluding **GST**, valid as of **print date**. Product/price changes may occur. Regular ordering process applies.

ORGA-LINE for TANDEMBOX M height - Individual dividers

ZSI.010Q	88mm Individual utensil cross divider for narrow void	060 700 30	\$3.56
ZSI.020Q	176mm Individual utensil cross divider for wide void	060 702 00	\$5.33

ORGA-LINE for TANDEMBOX M height - Utensil

ZSI.450FI2N	Utensil insert - 195W for nominal length 450mm (Wide void)	067 023 60	\$69.74
ZSI.500FI2N	Utensil insert - 195W for nominal length 500mm (Wide void)	067 024 40	\$75.83
ZSI.550FI2N	Utensil insert - 195W for nominal length 550mm (Wide void)	067 022 80	\$94.85

ZSI.450FI3	Utensil insert - 291W for nominal length 450mm (Wide + narrow void)	036 966 80	\$101.63
ZSI.500FI3	Utensil insert - 291W for nominal length 500mm (Wide + narrow void)	038 669 40	\$110.75
ZSI.550FI3	Utensil insert - 291W for nominal length 550mm (Wide + narrow void)	036 968 40	\$139.29

ORGA-LINE for TANDEMBOX M height - Kitsets for exact modular width utensil drawers

ZSI.60VUI6	Utensil kitset 600W drawer front - 474D for nominal length 500mm	Set ◀	067 479 70	\$233.50
ZSI.80VUI6	Utensil kitset 800W drawer front - 474D for nominal length 500mm	Set ◀	067 469 00	\$274.68
ZSI.90VUI6	Utensil kitset 900W drawer front - 474D for nominal length 500mm	Set ◀	067 510 60	\$314.51

ZSI.60VUI7	Utensil kitset 600W drawer front - 524D for nominal length 550mm	Set ◀	067 478 90	\$280.62
ZSI.80VUI7	Utensil kitset 800W drawer front - 524D for nominal length 550mm	Set ◀	067 472 00	\$331.30
ZSI.90VUI7	Utensil kitset 900W drawer front - 524D for nominal length 550mm	Set ◀	067 493 00	\$380.65

ORGA-LINE for TANDEMBOX M height - Combination

ZSI.450KI2N	Combination Insert - 200W for nominal length 450mm (Tray + narrow void)	066 981 50	\$112.98
ZSI.500KI2N	Combination Insert - 200W for nominal length 500mm (Trays + narrow void)	067 005 80	\$132.70
ZSI.550KI2N	Combination Insert - 200W for nominal length 550mm (Trays + narrow void)	067 001 50	\$161.01

ZSI.450KI3N	Combination Insert - 289W for nominal length 450mm (Tray + wide void)	067 008 00	\$115.84
ZSI.500KI3N	Combination Insert - 289W for nominal length 500mm (Tray + wide void)	067 013 90	\$135.56
ZSI.550KI3N	Combination Insert - 289W for nominal length 550mm (Tray + wide void)	067 019 80	\$163.87

ZSI.450KI4N	Combination Insert - 377W for nominal length 450mm (Full cutlery set + narrow void)	067 016 30	\$157.76
ZSI.500KI4	Combination Insert - 377W for nominal length 500mm (Full cutlery set + narrow void)	037 771 70	\$188.91
ZSI.550KI4	Combination Insert - 377W for nominal length 550mm (Full cutlery set + narrow void)	037 776 80	\$218.46

ORGA-LINE for TANDEMBOX B, C & D height - Dividing components for high fronted pull-outs

		SILK WHITE	
Z46L470S	Steel wall divider - for nominal length 500mm	079 347 60	\$85.98
Z46L520S	Steel wall divider - for nominal length 550mm	079 348 30	\$90.65
Z40C0002Z	Cross divider connector TANDEMBOX antaro (For C height)	050 817 57	\$5.12
Z40D0002Z	Cross divider connector TANDEMBOX antaro (For D height)	057 386 48	\$5.55
Z40L1077A	Cross divider (Cut to size) 1077mm TANDEMBOX antaro (For C & D height)	081 136 12	\$50.21
Z43L100S	Lateral / longside divider TANDEMBOX antaro (For C & D height)	079 525 82	\$10.30
Z40L0002	Cross divider connector for connection to steel wall only (For D height)	081 138 52	\$5.55
ZRU.01E0	Cross gallery rail connector TANDEMBOX antaro (For B, C & D height)	069 600 88	\$4.44
ZRG.1104Q	Cross gallery rail (Cut to size) 1104mm TANDEMBOX antaro (For B, C & D height)	097 527 82	\$14.25
ZRU.11F0	Lateral / longside divider for cross gallery TANDEMBOX antaro (For B, C & D height)	094 106 82	\$2.53

Non-slip matting for TANDEMBOX - Grey

	Matting pre-cut 474mm non-slip - for nominal length 500mm - Grey (per meter)	380 143 51	\$25.00
	Matting pre-cut 524mm non-slip - for nominal length 550mm - Grey (per meter)	380 143 60	\$25.00

All prices are RETAIL excluding GST, valid as of print date. Product/price changes may occur. Regular ordering process applies.



moving ideas

We believe that ideas can move the world. We offer innovative fittings, inspiring furniture concepts and appropriate services so that you can turn your creative ideas into reality. We are driven by your needs, international trends and our shared vision of a better quality of living. Let us work together to create moving ideas.



Quality of living

We would like you to enjoy greater convenience and functionality when using furniture.



Product range

Everything from a single source: our wide range of products allows you to keep up with today's and tomorrow's trends.



Inspiration

We monitor global trends and strive to create the solutions of tomorrow. We like to share our insights with you.



Innovation

We stay in motion. Curiosity and pioneering spirit drive us to develop new products and services for you.



Services

We support your daily operations with customised services tailored to your processes.



Quality

We continuously strive to improve our products, services and ourselves.



Trust

We take responsibility for partnerships, our employees, society and the environment.

Julius Blum started our journey in 1952 with horseshoe studs. Today we supply innovative fittings to customers in over 120 countries.



Blum New Zealand Ltd
621 Rosebank Road, Avondale
Auckland 1026
New Zealand
Phone: 09 820-5051
E-mail: info.nz@blum.com

Blum New Zealand Ltd
16 Avenger Crescent, Wigram
Christchurch 8042
New Zealand
Phone: 03 379-4984
E-mail: info.nz@blum.com

Julius Blum GmbH
Furniture Fittings Mfg.
6973 Höchst, Austria
Tel.: +43 5578 705-0
E-mail: info@blum.com
www.blum.com

Our sites in Austria, Poland and China are certified to the international standards mentioned below.
Our site in the USA is certified to ISO 9001.
Our site in Brazil is certified to ISO 9001 and ISO 14001.

