



REVEGO

**Pocket systems
for new space concepts**

Ordering and planning information

www.blum.com

 **blum**[®]



reddot winner 2022



More and more people are merging their kitchen, dining, living and working space. This trend places high demands on modern living concepts. Pocket systems make it possible to quickly, easily and intuitively open up entire spaces when needed, and close them off again when not in use. This gives you totally new design possibilities for varied areas of application.

With the new pocket systems product category, Blum has developed the solution for the optimum use of space – REVEGO is a unique pocket door system with fully integrated technology, all packaged inside a dedicated narrow cabinet: the pocket.

Contents

- 06 Overview of product range
- 10 Planning approach and product selection
- 12 REVEGO duo, double door
- 22 REVEGO uno, single door
- 30 REVEGO uno + duo,
single door and double door combined
- 46 REVEGO duo + duo,
two double doors combined
- 56 Calculations and assembly of the profiles
- 62 moving ideas



Efficient manufacturing

Thanks to the unique full integration of the fittings in the pocket construction, REVEGO already comprises all the necessary components. You can easily pre-assemble pocket systems in your workshop or at your plant, and carefully packaged convey them to end users. This makes installation on site easier and increases efficiency.



Rapid on-site installation

Final assembly on site is therefore simplicity itself: put up, align and mount the pockets; install the doors and track; make any final adjustments to the gap layout – and that's it! The 3-dimensional adjustment options are easily accessible and intuitive to use. And thanks to the integrated service interface, it is really simple to remove the fittings – even in installed furniture.



Easy planning

Standardised pocket widths of 100 mm for the single door REVEGO uno and 150 mm for the double door REVEGO duo permit unrestricted design possibilities around the pocket. Single and double door applications can be individually combined.



The ultimate in convenience

No need for handles thanks to TIP-ON motion technology, users can open cabinet doors with a single touch and slide them away completely into the pocket. To close off the space, the user simply presses the door to release it from the pocket and then presses it again to elegantly conceal the entire area.



REVEGO at a glance

- Faster and easier installation thanks to pre-assembly of fittings parts
- Full integration of fittings in unique pocket construction
- Easy planning thanks to predefined pocket widths
- Enhanced ease and mesmerising motion
- Individual design possibilities through combination of REVEGO uno (1) and REVEGO duo (2)
- Different nominal lengths allow you to adapt flexibly to the installation situation
- Doors open and close with ease without a handle, thanks to integrated TIP-ON motion technology
- Can be implemented with or without a plinth construction
- Precise and easily accessible 3-dimensional adjustment options
- Full overlay fronts completely conceal the pocket when closed for a perfect gap layout
- Pocket systems can be used in all living areas
- Fittings can be easily disassembled (easy removal even from built-in furniture) thanks to an integrated service interface

Overview of applications and planning notes

REVEGO duo

Double door, right or left



Page 12

- Number of fronts: 2
- Mounting width: 900 to 1500 mm
- Internal width within the application: up to 1350 mm
- Front width: 442–748 mm

REVEGO uno

Single door, right or left



Page 22

- Number of fronts: 1
- Mounting width: 450 to 900 mm
- Internal width within the application: up to 800 mm
- Front width: 442–898 mm

REVEGO uno + duo

Single door and double door combined



Page 30

- Number of fronts: 3
- Mounting width: 1350 to 2400 mm
- Internal width within the application: up to 2150 mm
- Front width: 442–748 mm and 442–898 mm

REVEGO duo + duo

Two double doors combined



Page 46

- Number of fronts: 4
- Mounting width: 1800 to 3000 mm
- Internal width within the application: up to 2700 mm
- Front width: 442–748 mm



Watch assembly video:
www.blum.com/revmv

Easy product selection

Our Product Configurator facilitates your product selection and provides checked parts lists, planning information and CAD data.



www.blum.com/revpc

Our services at a glance

Our services support you throughout your entire process – from planning and design all the way through to manufacturing. Take advantage of our tried-and-tested and user-friendly services for your projects with REVEGO.



Concept, planning and product selection

Our Product Configurator will help you select the right products quickly and efficiently. It gives you checked parts lists and planning information, as well as accurate production drawings.



Design

You can export REVEGO projects in various CAD formats for use in your own design software. Together with selected partners, we have also established interfaces for the straightforward transfer of data and completion of your project in your design software.



Ordering

Simply transfer your parts lists from the Product Configurator directly to the web shop of selected distributors. Your REVEGO configurations are easily saved to "My projects", where you can then manage your customer projects.



Manufacturing

Speed up your production process with our Product Configurator. Transfer the planning results to MINIPRESS top with EASYSTICK (using BXF) or directly to your CNC machine. In order to transfer the data to your CNC machine, you'll receive specially prepared CAM data (CAM DXF or complete WOP drilling programs) in the Product Configurator. This makes production processes on the CNC machine even quicker and easier.

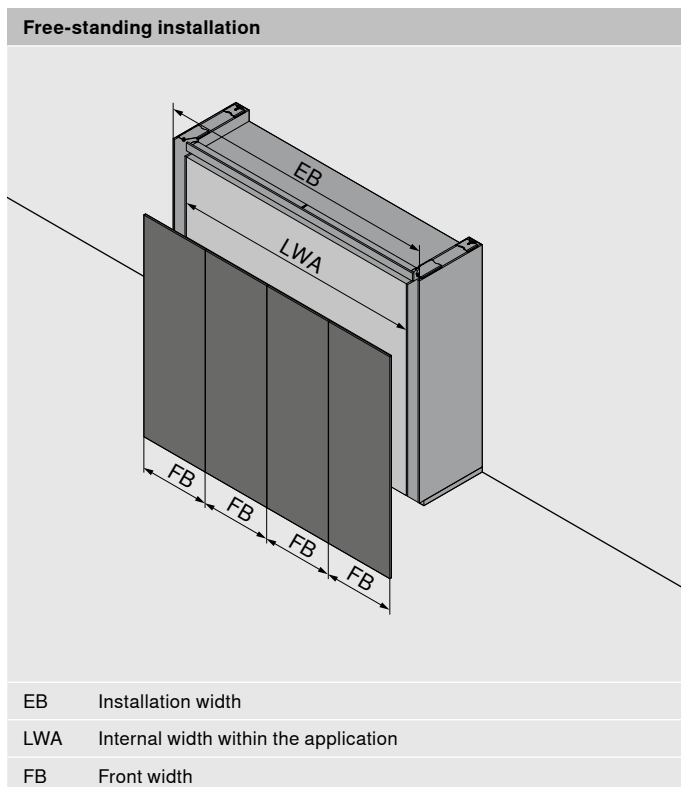


Find out more about our
E-SERVICES:
www.blum.com/configurator



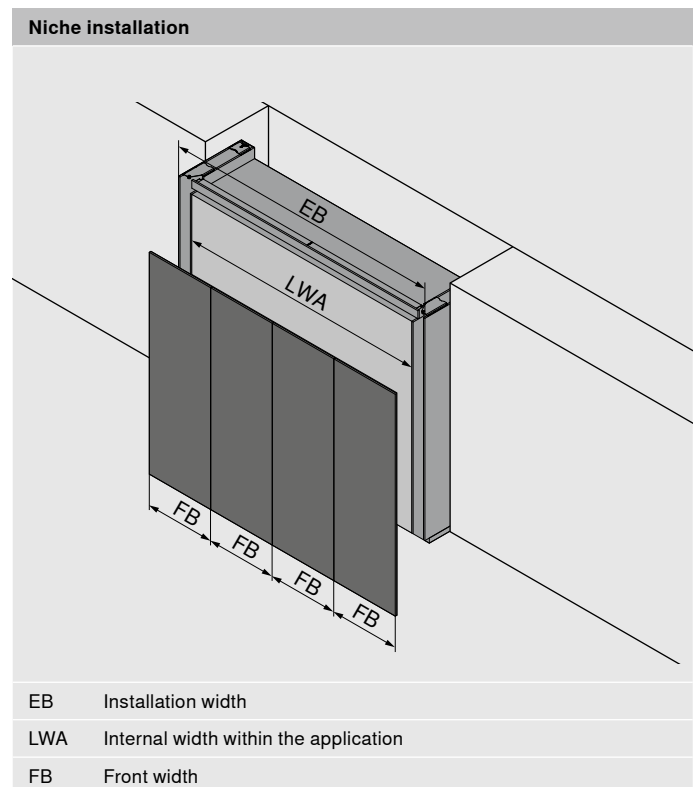
Register now free of charge to
take advantage of E-SERVICES.
e-services.blum.com

Planning approach and product selection



Planning approach starting from the inside moving out with focus on the cabinet width and construction inside the application. The cabinets to be concealed are the decisive factor for the possible number of fronts, front widths and thus for the primary application selection. The installation dimensions and the respective fittings parts are calculated in the next step.

1. What is the cabinet width that needs to be concealed?
The cabinet width is the internal width within the application.
2. Determine the possible number of fronts and front width based on the internal cabinet width. This will determine the type of application and its mounting width.
3. The pocket dimensions and front protrusion can now be defined on the planning pages of the respective application, and the further fittings selection can be made.

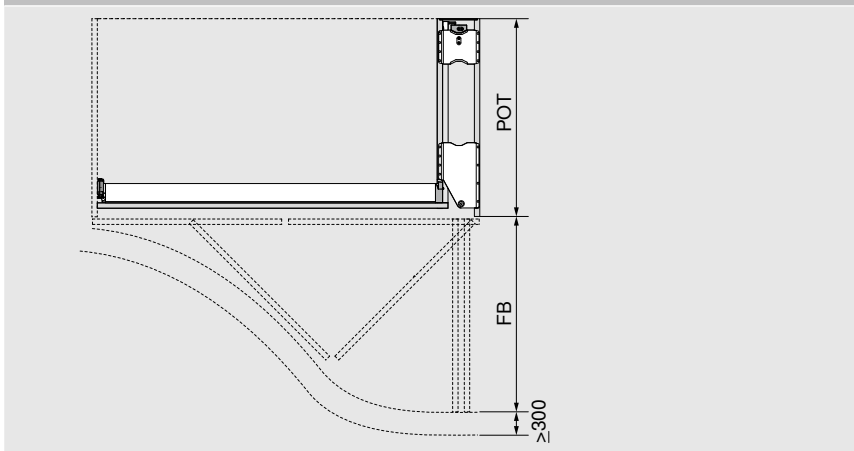


Planning approach from the outside moving inwards with fixed mounting width for the entire application. The available space determines the mounting width and is decisive for the possible number of fronts, front widths and thus for the primary application selection. The respective fittings parts and cabinet dimensions within the application can be calculated in the next step.

1. What niche width is available for the application?
The niche width is the installation width for the application.
2. Determine the possible number of fronts and front width based on the mounting width. This will determine the type of application.
3. The pocket dimensions, front protrusion and internal dimensions can now be defined on the planning pages of the respective application, and the further fittings selection can be made.

Planning approach and product selection

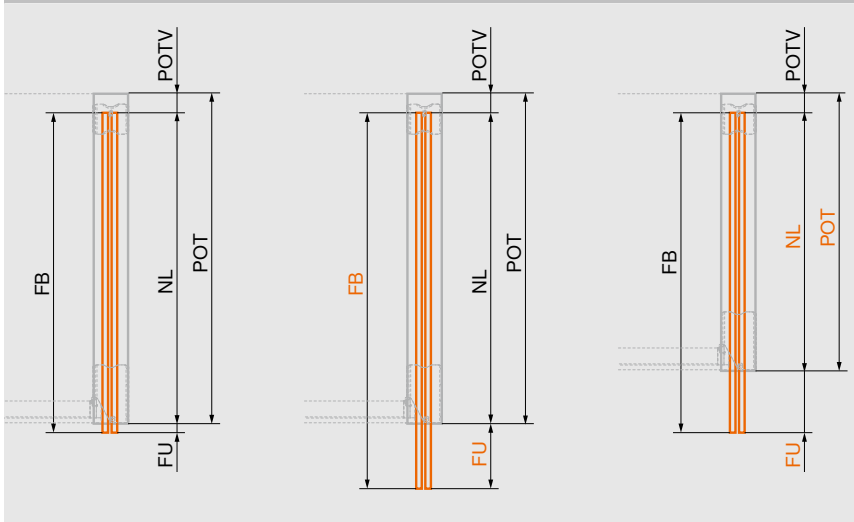
Functional area



A minimum distance to the nearest element in front of the pocket must be kept free for safety reasons: front width + at least 300 mm

FB	Front width
POT	Pocket depth

Pocket depth, nominal length, front width and front protrusion



The pocket depth is planned based on the front width and nominal length (pocket profile set). The front protrusion results from the pocket depth, nominal length and front width.

FB	Front width
FU	Front protrusion
NL	Nominal length
POT	Pocket depth
POTV	Pocket depth loss

Note

- The internal dimensions in the application (width x height x depth) determine the maximum space to be planned for the internal construction.
- Design the widest front first for combined applications.
- Certified durability of 40,000 opening and closing cycles.
- The manual operating force is less than 70 N according to the durability test.
- Drilling patterns, cut-to-size dimensions and detailed parts lists can be found in the Product Configurator.

Assembly

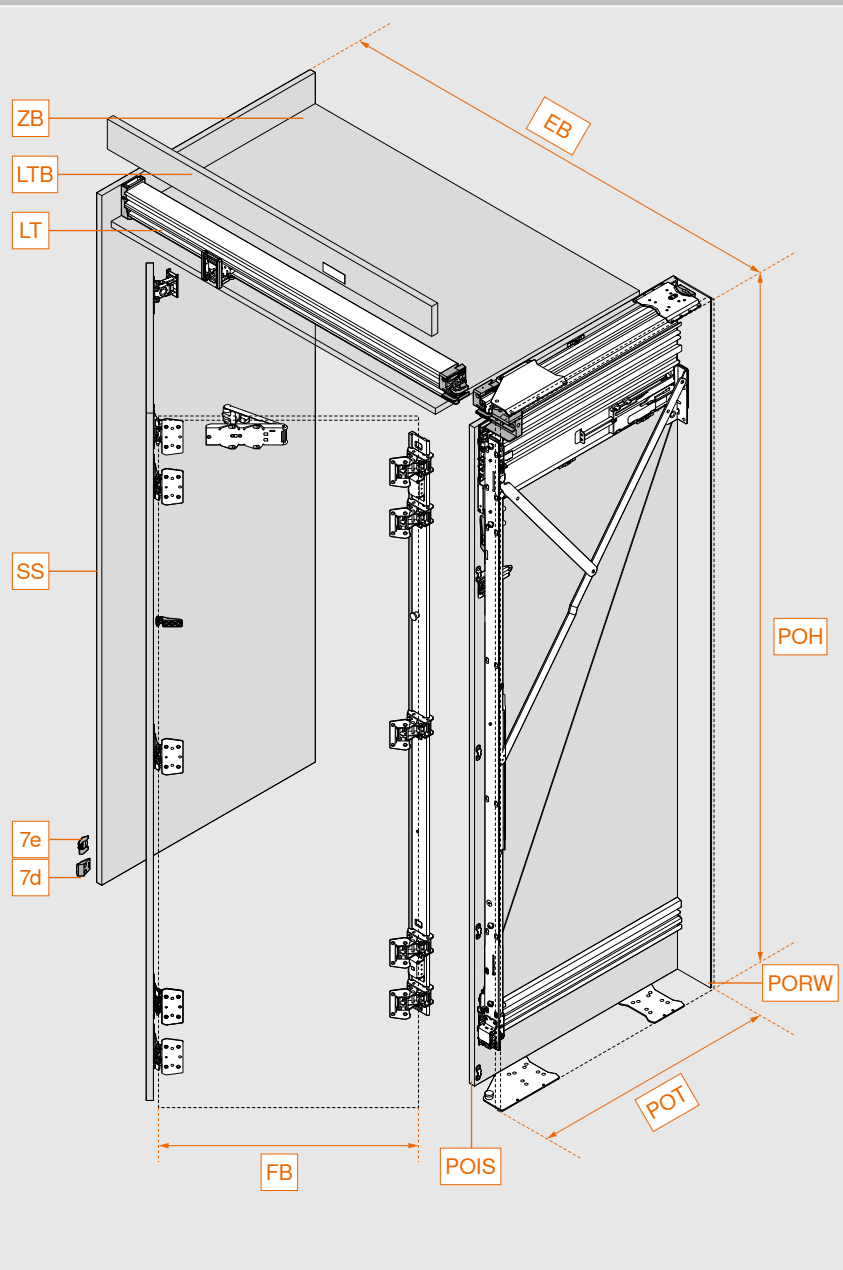
- You will need a CNC machine or MINIPRESS top with EASYSTICK from Blum to machine the wooden parts. Please note that both horizontal drillings and a track cut-out will be needed.
- We recommend using the drilling template for REVEGO pocket connectors for the horizontal drillings. Drilling template on request.
- See appendix for calculation and assembly information for cutting profiles to size.



Further safety information can be found at:
www.blum.com/revsd



Installation position	Double door, right or left (mm)		
	Width	Height	Depth
Installation dimensions	900 – 1500	1820 – 3012	575 – 1000
Internal dimensions within the application	up to 1350	up to 2884	484 – 909
Pocket dimensions	150	1807 – 2999	554 – 979
Front dimensions	442 – 748	1800 – 2980	Thickness 18 – 26
Front weight	35 kg per front max.		

Overview


EB	Installation width
FB	Front width
LT	Track
LTB	Track cover panel
POH	Pocket height
POIS	Internal pocket side
PORW	Pocket back
POT	Pocket depth
SS	Optional partition side
ZB	Fixed shelf
7d	Door support on partition side
7e	Door support for decor panel/cabinet side



Fittings selection made easy

Webcode DQITIM

Link www.blum.com/DQITIM

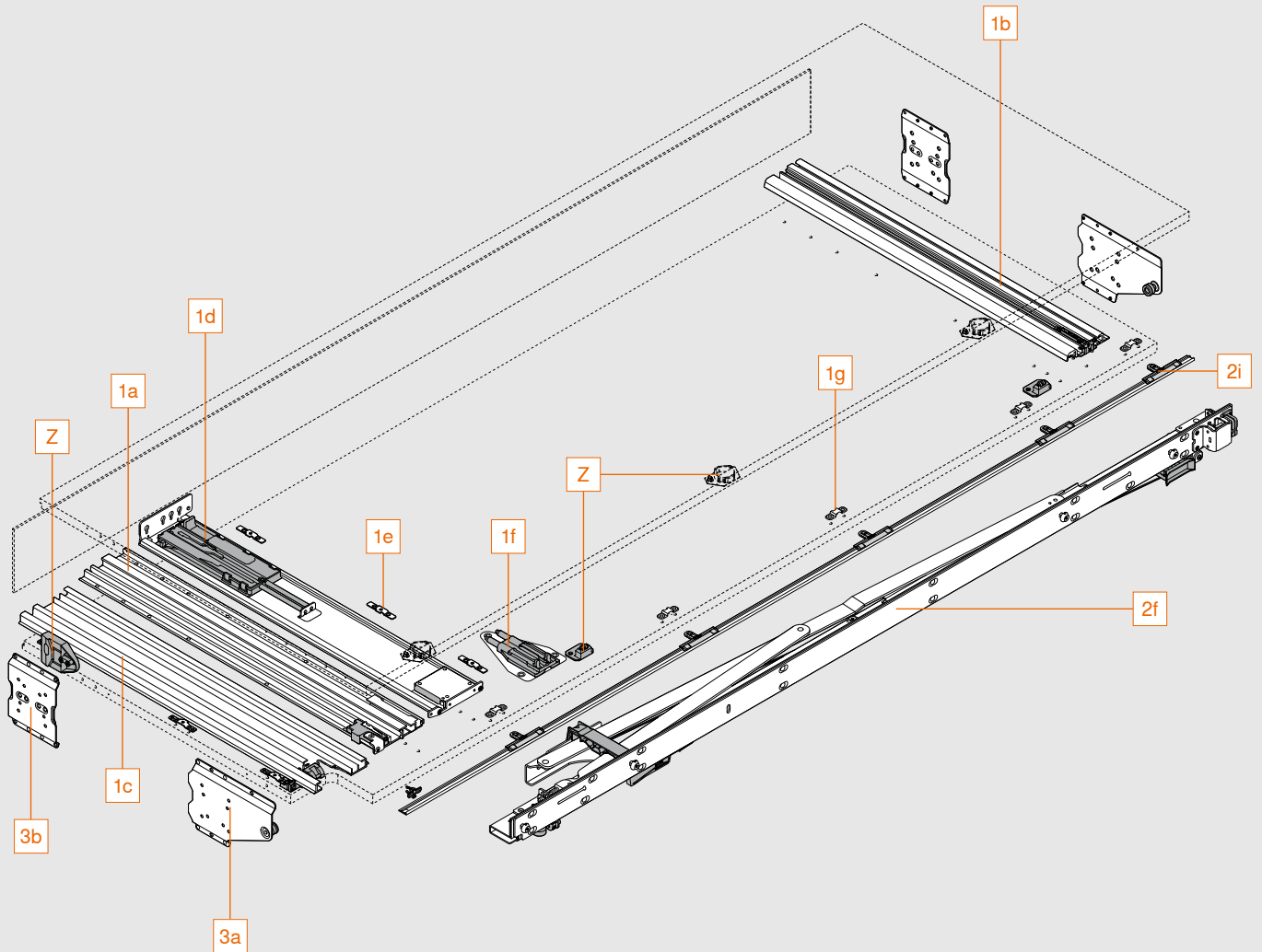
It is easy to work out the fittings and drilling positions you need using the Product Configurator. Still not got your login details for our E-SERVICES? Register here to gain free access.


Product Configurator
www.blum.com/rev2pc

Assembly and adjustment
www.blum.com/rev2md

Component overview

Pocket

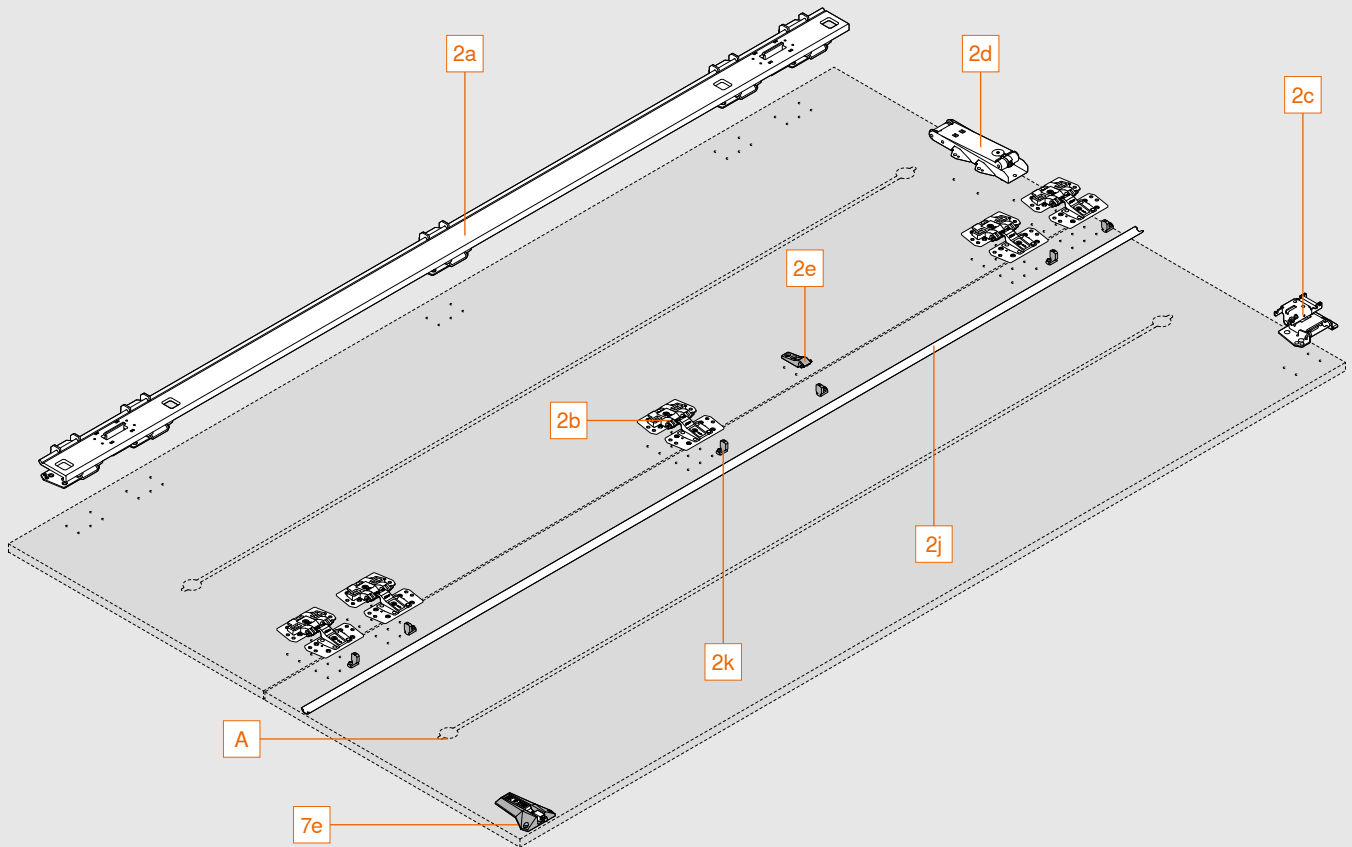


Consisting of:

1a	Top pocket profile
1b	Bottom pocket profile
1c	Roller profile
1d	TIP-ON unit pocket
1e	Fixing clips
1f	BLUMOTION unit pocket
1g	Attachment for pocket cover strip
2f	Hinge bracket
2i	Pocket cover strip incl. mounting
3a	Front pocket connector
3b	Back pocket connector
Z	Adapter for electrical appliance switch-off
Z	Scuff guard

Component overview

Front

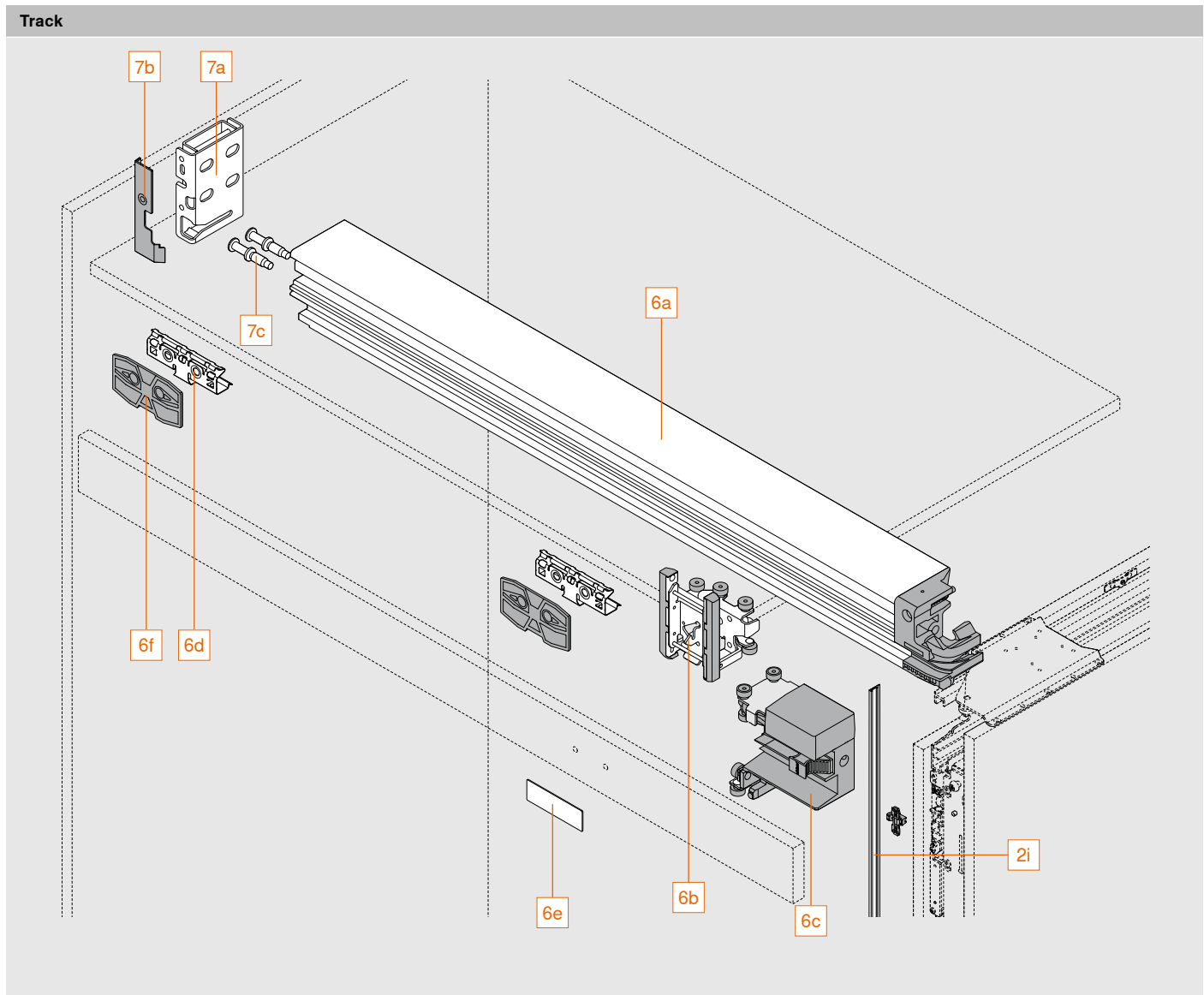


Consisting of:

2a	Hinge strip
2b	Double door hinge
2c	Roller carriage hinge
2d	TIP-ON unit door
2e	Support for door cover strip
2j	Door cover strip
2k	Mounting for door cover strip
7e	Door support for decor panel/cabinet side

A We recommend at least one alignment fitting with a maximum installation height of 20 mm per front

Component overview



Consisting of:

2i	Pocket cover strip incl. mounting
6a	Track
6b	Roller carriage
6c	Roller carriage transporter
6d	Mounting for track cover panel
6e	Catch plate
6f	Spacer
7a	Track fixing
7b	Cover for track fixing
7c	Pin for track fixing

Ordering information

1 Pocket profile set with TIP-ON				
Nominal length NL (mm)		Min. pocket depth POT* (mm)	Left	Right
450		550	802P450D.L2	802P450D.R2
525		625	802P525D.L2	802P525D.R2
600		700	802P600D.L2	802P600D.R2
675		775	802P675D.L2	802P675D.R2
750		850	802P750D.L2	802P750D.R2

* Specification without pocket back. A back construction with a back thickness of at least 4 mm is required.
Pocket and roller profiles as well as TIP-ON unit pocket can be shortened to an individual nominal length.

Consisting of:

1a	1 x	Top pocket profile
1b	1 x	Bottom pocket profile
1c	1 x	Roller profile
1d	1 x	TIP-ON unit pocket
1e	6 x	Fixing clips
1f	1 x	BLUMOTION unit pocket
1g	5 x	Attachment for pocket cover strip

2 Hinge bracket set with TIP-ON				
Pocket height (mm)			Left	Right
1807 – 1956			802T1000.L2	802T1000.R2
1957 – 2106			802T2000.L2	802T2000.R2
2107 – 2256			802T3000.L2	802T3000.R2
2257 – 2406			802T4000.L2	802T4000.R2
2407 – 2556			802T5000.L2	802T5000.R2
2557 – 2706			802T6000.L2	802T6000.R2
2707 – 2856			802T7000.L2	802T7000.R2
2857 – 2999			802T8000.L2	802T8000.R2

Note:

Door cover strips must be shortened to a specific length

Consisting of:

2a	1 x	Hinge strip
2b	5 x	Double door hinge
2c	1 x	Roller carriage hinge
2d	1 x	TIP-ON unit door
2e	1 x	Support for door cover strip
2f	1 x	Hinge bracket
2i	1 x	Pocket cover strip incl. 5 x mountings, black anodized
2j	1 x	Door cover strip, black anodized
2k	6 x	Mounting for door cover strip

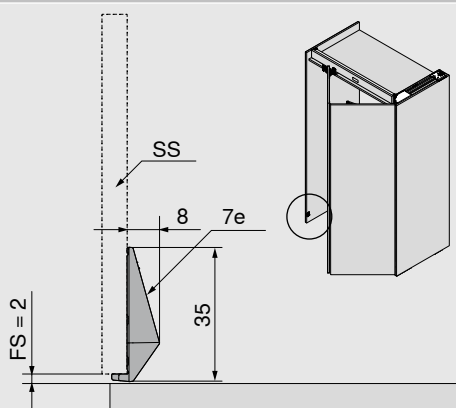
Ordering information

Pocket connector set				
Select pocket connector set 3 or 4 depending on application				
3	Application with plinth			
Pocket side thickness (mm)		Colour		
15 – 17		Black	802V560B	
18 – 19		Black	802V580B	
Pocket connector top + bottom: POVH 10 mm for 0 – 6 mm gap				
POVH Pocket connector height				
Consisting of:				
3a	2 x	Front pocket connector		
3b	2 x	Back pocket connector		
4	Application without plinth			
Pocket side thickness (mm)		Colour	Left	Right
15 – 17		Black	802V660B.L1	802V660B.R1
18 – 19		Black	802V680B.L1	802V680B.R1
Pocket connector top: POVH 10 mm for 0 – 6 mm gap (POVH 3 mm on request)				
Pocket connector bottom: POVH 3 mm for gap from 7 – 13 mm				
POVH Pocket connector height				
Consisting of:				
4a	2 x	Front pocket connector		
4b	2 x	Back pocket connector		
6	Track set			
LWA double door (mm)		Colour	Left	Right
1050		Black anodized	802L1050DL1	802L1050DR1
1200		Black anodized	802L1200DL1	802L1200DR1
1250		Black anodized	802L1250DL1	802L1250DR1
1350		Black anodized	802L1350DL1	802L1350DR1
LWA Internal width within the application				
Track can be shortened to any length.				
Consisting of:				
6a	1 x	Track		
6b	1 x	Roller carriage		
6c	1 x	Roller carriage transporter		
6d	2 x	Mounting for track cover panels		
6e	1 x	Catch plate, black		
6f	2 x	Spacer		

Ordering information

7	Assembly set for one double door		
Colour			
Black			
			Left
			Right
			802M0002.L2
			802M0002.R2
Consisting of:			
7a	1 x	Track fixing	
7b	1 x	Cover for track fixing	
7c	2 x	Pin for track fixing	
7d	1 x	Door support on partition side (can be selected depending on installation situation)	
7e	1 x	Door support for decor panel/cabinet side incl. attachment (can be selected depending on installation situation)	
Z	Accessories		
–	Adapter for electrical appliance switch-off		802ZG0CS
Consisting of:			
1 x	Contact switch adapter		
1 x	Ring magnet with catch plate		
1 x	4 countersunk screws M4x12 for contact switch adapter		
1 x	2 round head screws M4x5 for contact switch adapter		
Suitable exclusively for electrical appliance switch-off with magnetic contact (part number 3623011) from Halemeier GmbH (www.halemeier.de)			
Liability disclaimer: Blum does not accept any liability for the function of the electrical appliance switch-off			
–	Scuff guard		802ZA00S
Consisting of:			
3 x	External pocket side scuff guard		
2 x	Internal pocket side scuff guard		
For front thicknesses starting from 23 mm			
For front thicknesses less than 23 mm, the scuff guard can be used as additional front protection			
–	System screws 6 x 14.5 mm, nickel-plated		661.1450.HG

Door support on partition side

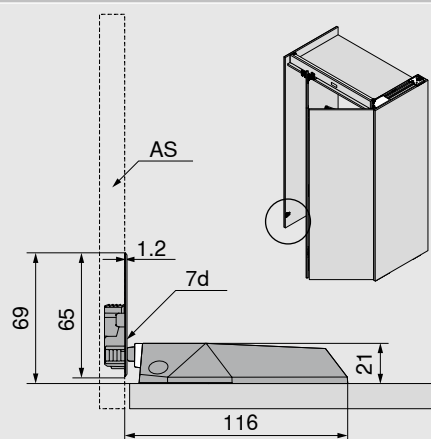


FS	Front gap
SS	Partition side
7e	Door support on partition side

Note

- Assembly height of the door support ideally as far down as possible, however up to a maximum height of 1000 mm from the front bottom edge
- Ensure collision-free installation

Door support for decor panel/cabinet side

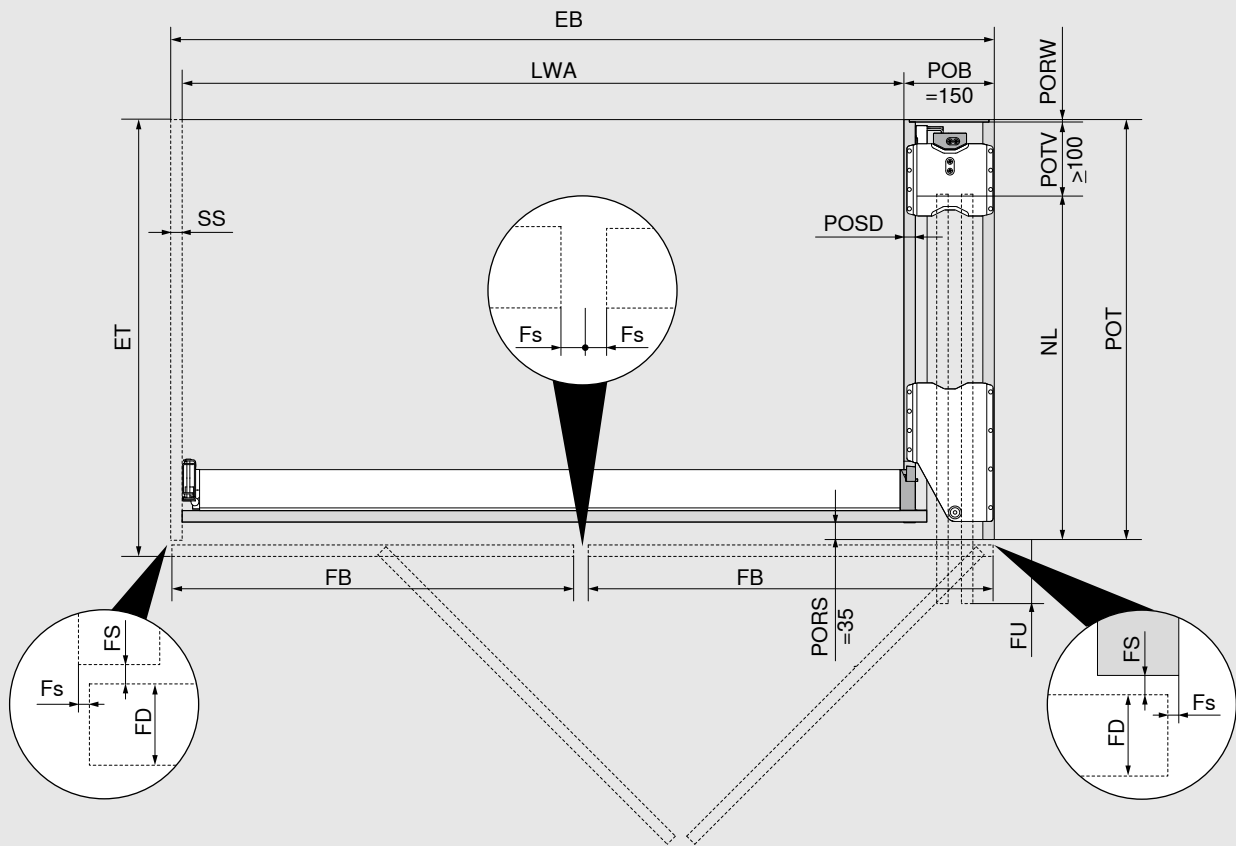


AS	Decor panel/cabinet side
Fu	Bottom gap
7d	Door support for decor panel/cabinet side

Note

- Assembly height AS: 64 mm + Fu from the decor panel/cabinet bottom edge
- Assembly height front: 64 mm from the front bottom edge
- Ensure collision-free installation

Planning



Mounting width/internal width within the application

Without partition side: $EB = LWA + POB (150 \text{ mm})$

With partition side: $EB = LWA + POB (150 \text{ mm}) + SS$

Front width/front protrusion

$FB = EB : 2 (\text{number of fronts}) - 2 \times Fs (1.0 - 4.0 \text{ mm})$

Max. $NL = FB + 8 \text{ mm}$

$FU = FB - NL + 15 \text{ mm}$
(Min. $FU = 7 \text{ mm}$)

Installation depth/pocket depth

$ET = POT + FS (2 \text{ mm}) + FD$

$FD = 18 - 26 \text{ mm}$

Min. $POT = NL + POTV (\geq 100 \text{ mm}) + PORW (\geq 4 \text{ mm})$, max. $POT = 979 \text{ mm}$

$POSD = 15 - 19 \text{ mm}$

Note

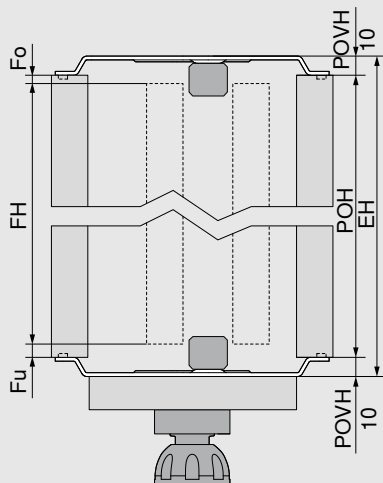
- FU is dependent on pocket side thickness, gaps and tolerances.
- To ensure optimum functionality, the fronts are slightly tilted inside the pocket.
- With front thicknesses (FD) of more than 23 mm, the side gap (Fs), the outside front radius and the inner radius of the external pocket side must be at least 3 mm.
- The internal width within the application determines the maximum width to be planned for the internal construction.

EB	Installation width
ET	Installation depth
Fs	Side gap
FB	Front width
FD	Front thickness
FS	Front gap
FU	Front protrusion
LWA	Internal width within the application
NL	Nominal length
POB	Pocket width
POT	Pocket depth
PORS	Pocket back cut
PORW	Pocket back
POSD	Pocket side thickness
POTV	Pocket depth loss
SS	Partition side (optional)

Planning

Installation height, front height

Application with plinth



$$FH = POH - Fo - Fu$$

$$EH \leq POH + POVH \text{ top and bottom}$$

$$POH = FH + Fo + Fu$$

POVH 10 mm: gap 0 – 6 mm

Note

- Note tilt angle when erecting!
- Minimum distance from the front bottom edge to the floor 10 mm, to the next element above and below 6 mm
- Minimum plinth height 80 mm

EH Installation height

Fo Top gap

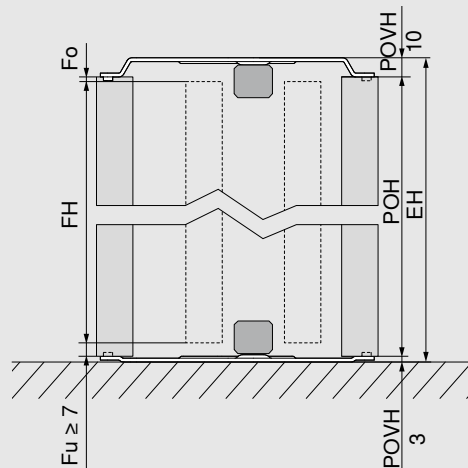
Fu Bottom gap

FH Front height

POH Pocket height

POVH Pocket connector height

Application without plinth



$$FH = POH - Fo - Fu$$

$$EH \leq POH + POVH \text{ top and bottom}$$

$$POH = FH + Fo + Fu$$

POVH top 10 mm: gap 0 – 6 mm

POVH bottom 3 mm: gap from 7 – 13 mm

Note

- Note tilt angle when erecting!
- Minimum distance from the front bottom edge to the floor 10 mm, to the next element above and below 6 mm

EH Installation height

Fo Top gap

Fu Bottom gap

FH Front height

POH Pocket height

POVH Pocket connector height

Planning

Track installation dimension

LBH = 83 mm

LBD = 15 - 19 mm
(≤ 17 mm the spacer must be used)

LTF = 17 mm

LA = 100 mm

LV = LA + ZBD (≥ 15 mm)

Note

- We recommend using a cross member to stabilise the fixed shelf. Minimum distance to front edge of internal pocket side = 170 mm
- A solid connection between the fixed shelf and the pocket with connector fittings is recommended for an attractive gap layout
- No mounting of add-on parts directly on the track

FD Front thickness

LA Track cut-out

LV Track installation

LBD Track cover panel thickness

LBH Track cover panel height

LTF Track gap

PORS Pocket back cut

ZBD Fixed shelf thickness

Internal height and internal depth within the application

LHA = POH - LV

LTA = POT - 70 mm

Note

- The internal height/internal depth within the application determines the maximum height/depth to be planned for the internal construction

LHA Internal height within the application

LTA Internal depth within the application

LV Track installation

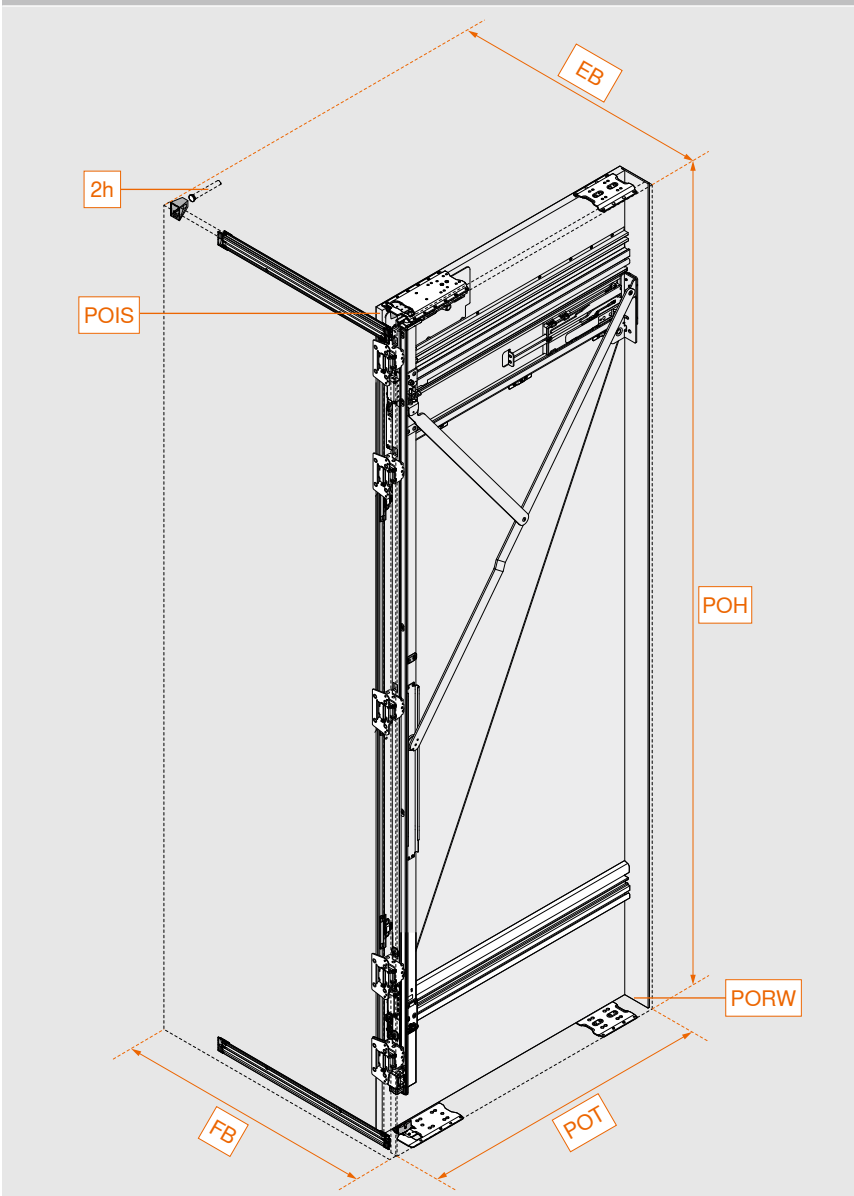
POH Pocket height

POT Pocket depth



Installation position	Single door, right or left (mm)		
	Width	Height	Depth
Installation dimensions	450 – 900	1820 – 3012	575 – 1000
Internal dimensions within the application	up to 800	up to 2999	519 – 944
Pocket dimensions	100	1807 – 2999	554 – 979
Front dimensions	442 – 898	1800 – 2980	18 – 26
Front weight	35 kg per front max.		

Overview



EB	Installation width
FB	Front width
POH	Pocket height
POIS	Internal pocket side
PORW	Pocket back
POT	Pocket depth
2h	TIP-ON incl. catch plate

i Fittings selection made easy

Webcode	DQIU7Y
Link	www.blum.com/DQIU7Y

It is easy to work out the fittings and drilling positions you need using the Product Configurator. Still not got your login details for our E-SERVICES? Register here to gain free access.

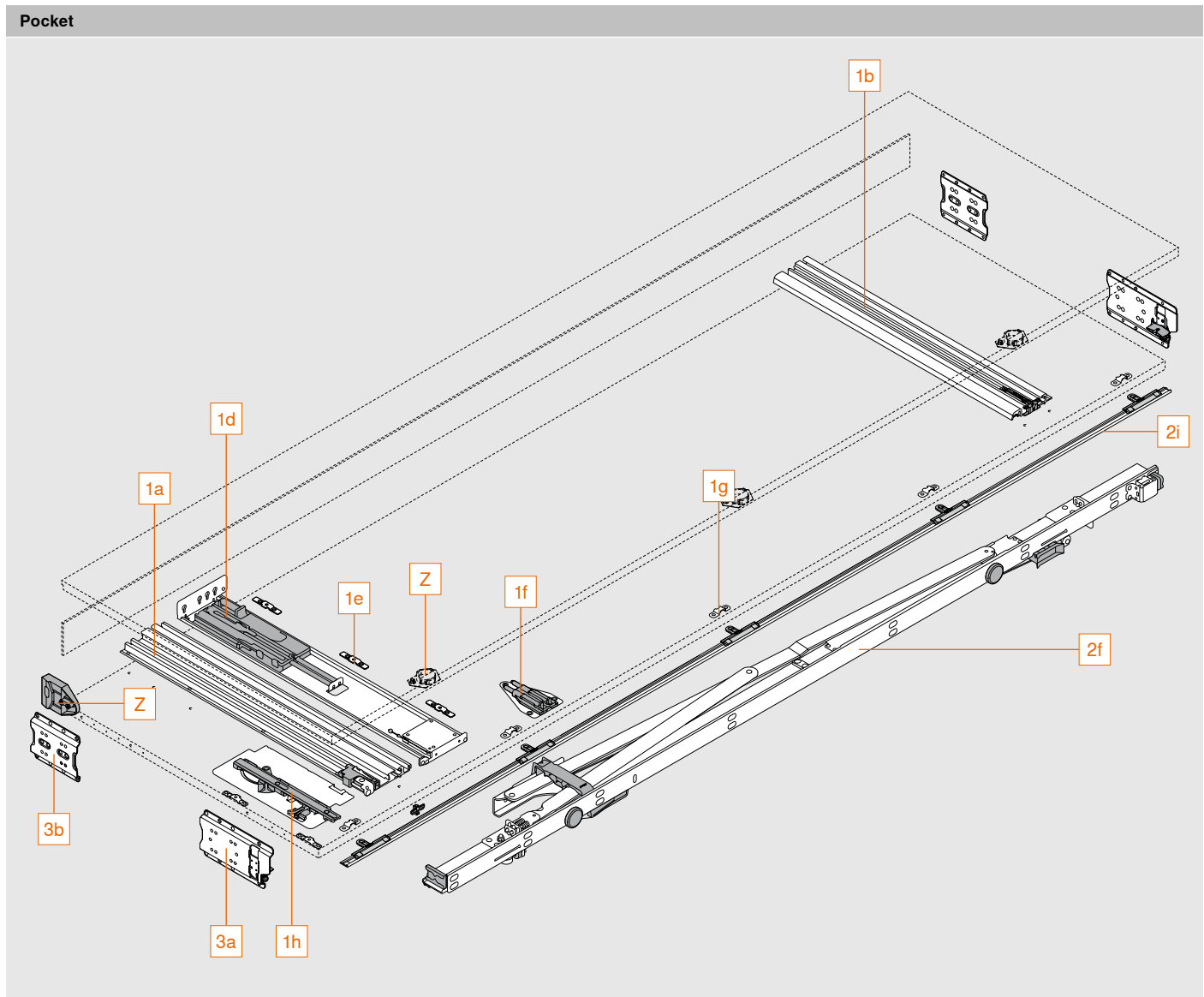


Product Configurator
www.blum.com/rev1pc



Assembly and adjustment
www.blum.com/rev1md

Component overview

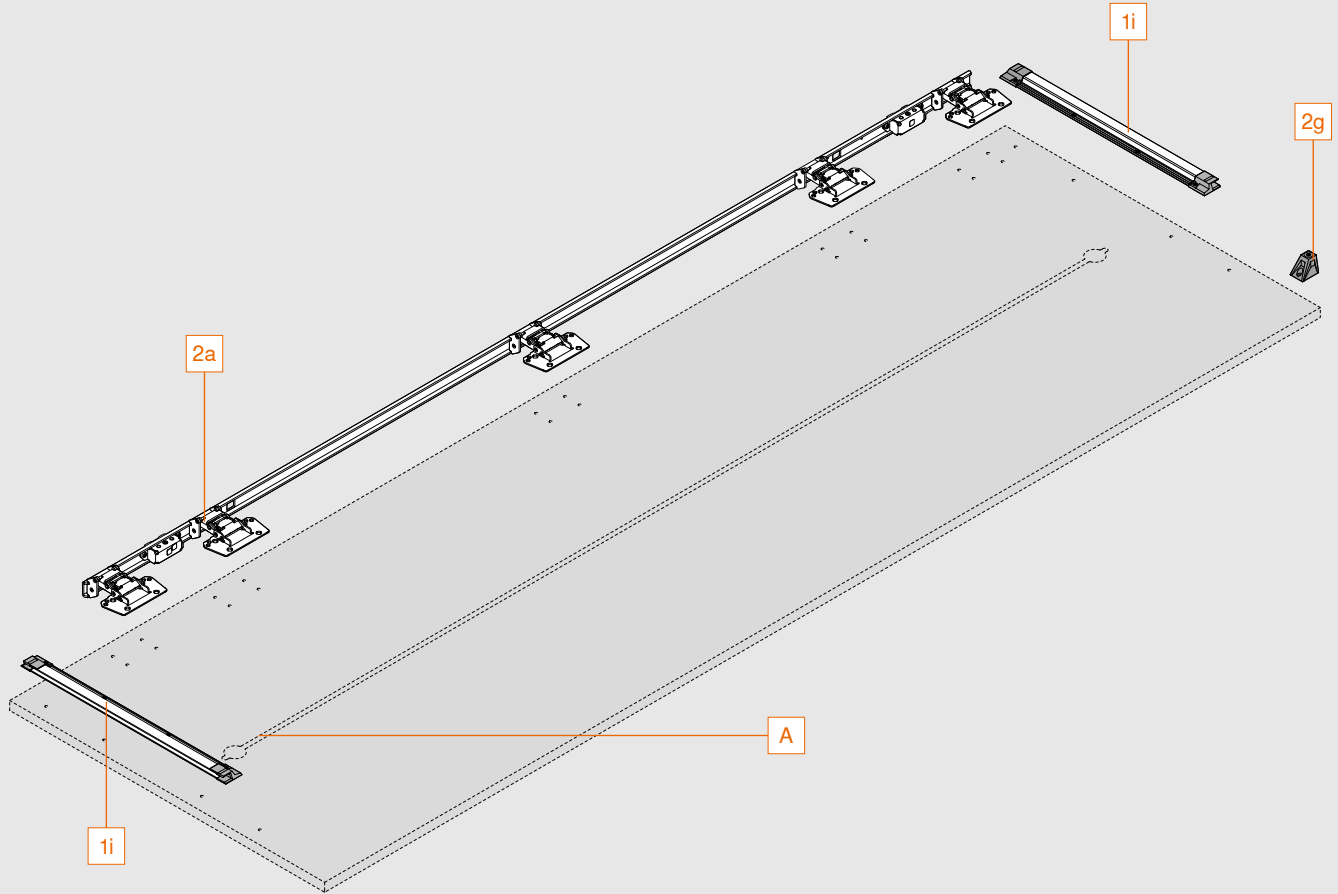


Consisting of:

1a	Top pocket profile
1b	Bottom pocket profile
1d	TIP-ON unit pocket
1e	Fixing clips
1f	BLUMOTION unit pocket
1g	Attachment for pocket cover strip
1h	BLUMATIC unit
2f	Hinge bracket
2i	Pocket cover strip incl. mounting
3a	Front pocket connector
3b	Back pocket connector
Z	Adapter for electrical appliance switch-off
Z	Scuff guard

Component overview

Front



Consisting of:

1i	Door stabiliser
2a	Hinge strip
2g	TIP-ON spacing

A We recommend at least one alignment fitting with a maximum installation height of 3 mm. Alignment fittings that protrude above a height of 3 mm must not be used in the pocket.

Ordering information

1 Pocket profile set with TIP-ON				
Nominal length NL (mm)		Min. pocket depth POT* (mm)	Left	Right
450		550	801P450E.L2	801P450E.R2
500		600	801P500E.L2	801P500E.R2
600		700	801P600E.L2	801P600E.R2
700		800	801P700E.L2	801P700E.R2
800		900	801P800E.L2	801P800E.R2

* Specification without pocket back. A back construction with a back thickness of at least 4 mm is required.
Pocket profiles and TIP-ON unit pocket can be shortened to an individual nominal length.

Consisting of:

1a	1 x	Top pocket profile
1b	1 x	Bottom pocket profile
1d	1 x	TIP-ON unit pocket
1e	5 x	Fixing clips
1f	1 x	BLUMOTION unit pocket
1g	5 x	Attachment for pocket cover strip
1h	1 x	BLUMATIC unit
1i	2 x	Door stabiliser: runner profile incl. end cap, black anodized

2 Hinge bracket set				
Pocket height (mm)			Left	Right
1807 – 1956			801T1000.L2	801T1000.R2
1957 – 2106			801T2000.L2	801T2000.R2
2107 – 2256			801T3000.L2	801T3000.R2
2257 – 2406			801T4000.L2	801T4000.R2
2407 – 2556			801T5000.L2	801T5000.R2
2557 – 2706			801T6000.L2	801T6000.R2
2707 – 2856			801T7000.L2	801T7000.R2
2857 – 2999			801T8000.L2	801T8000.R2

Note:

Door cover strips must be shortened to a specific length

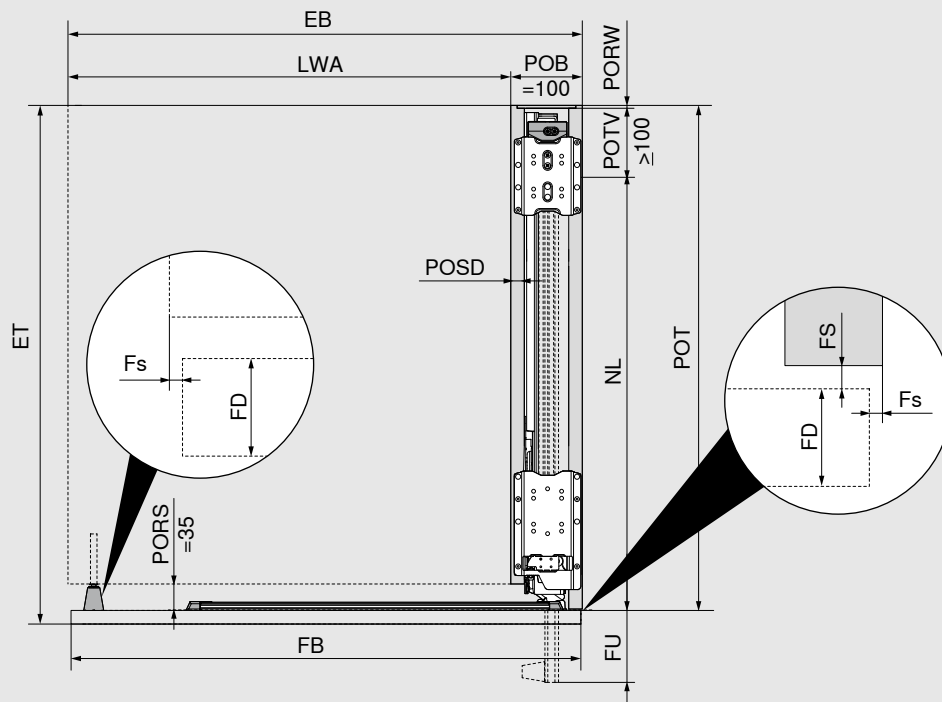
Consisting of:

2a	1 x	Hinge strip, black
2f	1 x	Hinge bracket
2g	1 x	TIP-ON spacing
2h	1 x	TIP-ON incl. catch plate, black
2i	1 x	1 x pocket cover strip incl. 5 x mountings, black anodized
-	29 x	System screws for 1i, 2a and 2g, 6 x 14.5 mm, black

Ordering information

Pocket connector set			
Select pocket connector set 3 or 4 depending on application			
3	Pocket connector set for application with plinth		
Pocket side thickness (mm)		Colour	
15 – 19		Black	
801V505B			
Pocket connector top + bottom: POVH 10 mm for 0 – 6 mm gap			
POVH Pocket connector height			
Consisting of:			
3a	2 x	Front pocket connector	
3b	2 x	Back pocket connector	
4	Pocket connector set for application without plinth		
Pocket side thickness (mm)		Colour	
15 – 19		Black	
		Left	Right
		801V605B.L1	801V605B.R1
Pocket connector top: POVH 10 mm for 0 – 6 mm gap (POVH 3 mm on request)			
Pocket connector bottom: POVH 3 mm for gap from 7 – 13 mm			
POVH Pocket connector height			
Consisting of:			
4a	2 x	Front pocket connector	
4b	2 x	Back pocket connector	
Z	Accessories		
–	Adapter for electrical appliance switch-off		801ZG0BS
Consisting of:			
1 x	Contact switch adapter		
1 x	Ring magnet with catch plate		
1 x	4 countersunk screws M4x12 for contact switch adapter		
1 x	2 round head screws M4x5 for contact switch adapter		
Suitable exclusively for electrical appliance switch-off with magnetic contact (part number 3623011) from Halemeier GmbH (www.halemeier.de)			
Liability disclaimer: Blum does not accept any liability for the function of the electrical appliance switch-off			
–	Scuff guard		801ZA00S
Consisting of:			
3 x	External pocket side scuff guard		
For front thicknesses starting from 23 mm			
For front thicknesses less than 23 mm, the scuff guard can be used as additional front protection			
–	System screws, 6 x 14.5 mm, nickel plated		661.1450.HG

Planning



Installation depth/pocket depth

$ET = POT + FS (2\text{ mm}) + FD$

Min. POT = NL + POTV ($\geq 100\text{ mm}$) + PORW ($\geq 4\text{ mm}$), max. POT = 979 mm

Mounting width/internal width within the application

$EB = LWA + POB (100\text{ mm})$

$FB = EB - 2 \times Fs (1.0 - 4.0\text{ mm})$

Max. NL = FB + 8 mm

$FU = FB - NL + 15\text{ mm}$
(Min. FU = 7 mm)

FD = 18 - 26 mm

Note

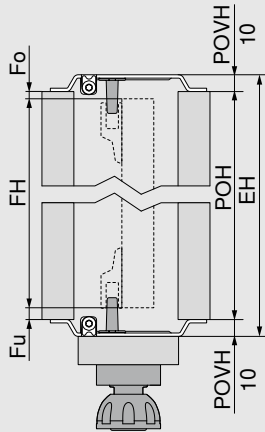
- FU is dependent on pocket side thickness, gaps and tolerances.
- To ensure optimum functionality, the fronts are slightly tilted inside the pocket.
- A partition side is required for a stand-alone application, or one adjacent to a worktop area.
- A TIP-ON set part no. 956A1004 must be attached in the trigger range for applications with a partition side. We recommend using a screw-on catch plate.
- With front thicknesses (FD) of more than 23 mm, the side gap (Fs), the outside front radius and the inner radius of the external pocket side must be at least 3 mm
- The internal width within the application determines the maximum width to be planned for the internal construction.

EB	Installation width
ET	Installation depth
Fs	Side gap
FB	Front width
FD	Front thickness
FS	Front gap
FU	Front protrusion
LWA	Internal width within the application
NL	Nominal length
POB	Pocket width
POT	Pocket depth
PORS	Pocket back cut
PORW	Pocket back
POSD	Pocket side thickness
POTV	Pocket depth loss

Planning

Installation height, front height

Application with plinth



$$FH = POH - Fo - Fu$$

$$EH \leq POH + POVH \text{ top and bottom}$$

$$POH = FH + Fo + Fu$$

$$POVH \text{ 10 mm: gap } 0 - 6 \text{ mm}$$

Note

- Note tilt angle when erecting!
- Minimum distance from the front bottom edge to the floor 10 mm, to the next element above and below 6 mm
- Minimum plinth height 80 mm

EH Installation height

Fo Top gap

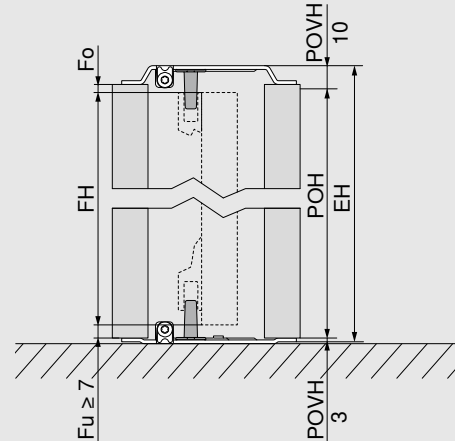
Fu Bottom gap

FH Front height

POH Pocket height

POVH Pocket connector height

Application without plinth



$$FH = POH - Fo - Fu$$

$$EH \leq POH + POVH \text{ top and bottom}$$

$$POH = FH + Fo + Fu$$

$$POVH \text{ top 10 mm: gap } 0 - 6 \text{ mm}$$

$$POVH \text{ bottom 3 mm: gap from } 7 - 13 \text{ mm}$$

Note

- Note tilt angle when erecting!
- Minimum distance from the front bottom edge to the floor 10 mm, to the next element above and below 6 mm

EH Installation height

Fo Top gap

Fu Bottom gap

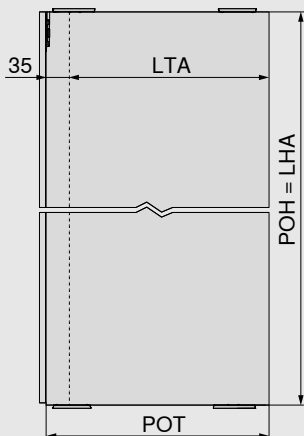
FH Front height

POH Pocket height

POVH Pocket connector height

Planning

Internal height and internal depth within the application



$LHA = POH$

$LTA = POT - 35 \text{ mm}$

Note

- The internal height/internal depth within the application determines the maximum height/depth to be planned for the internal construction.

LHA Internal height within the application

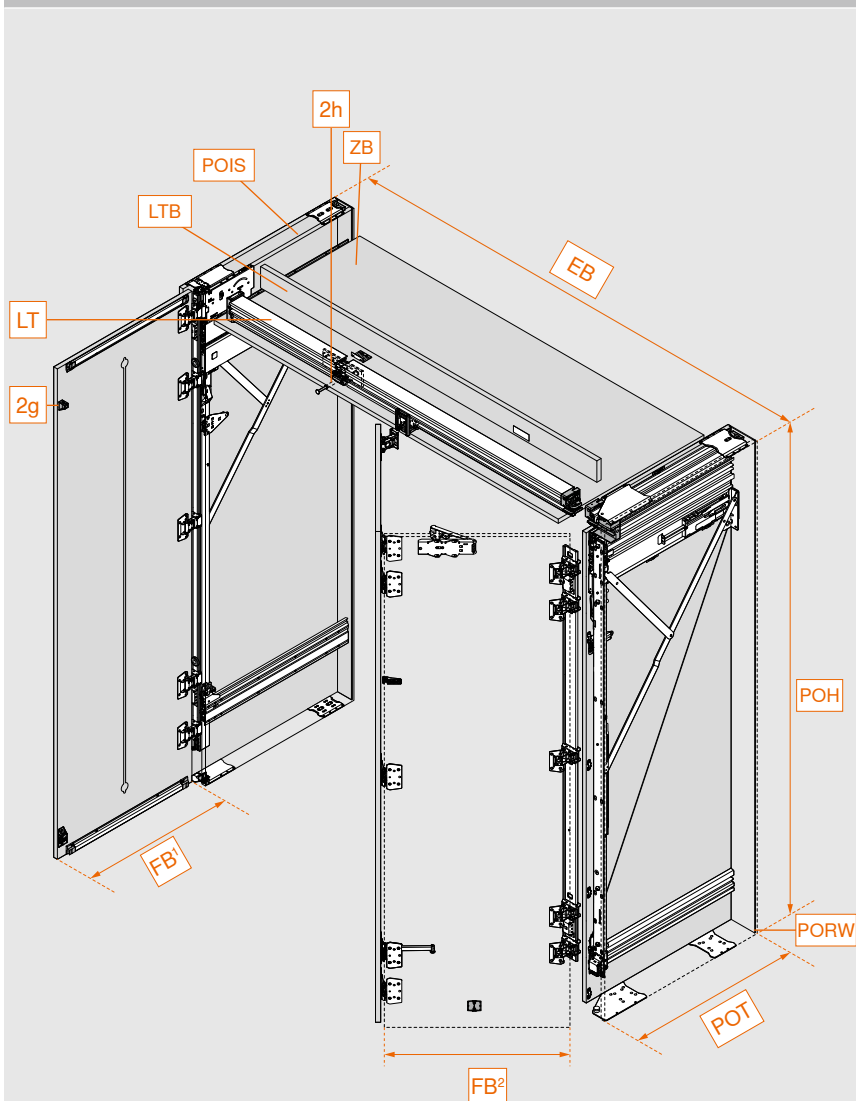
LTA Internal depth within the application

POH Pocket height

POT Pocket depth



Installation position	Single door, right or left + double door, right or left (mm)		
	Width	Height	Depth
Installation dimensions	1350 – 2400	1820 – 3012	575 – 1000
Internal dimensions within the application	up to 2150	up to 2884	484 – 909
Pocket dimensions	100 / 150	1807 – 2999	554 – 979
Front dimensions	442 – 898/748	1800 – 2980	Thickness 18 – 26
Front weight	35 kg per front max.		

Overview


EB	Installation width
FB¹	Single door front width
FB²	Double door front width
LTB	Track cover panel
POIS	Internal pocket side
PORW	Pocket back
LT	Track
POH	Pocket height
POT	Pocket depth
ZB	Fixed shelf
2g	TIP-ON spacing
2h	TIP-ON incl. catch plate



Fittings selection made easy

Webcode DQIVXA

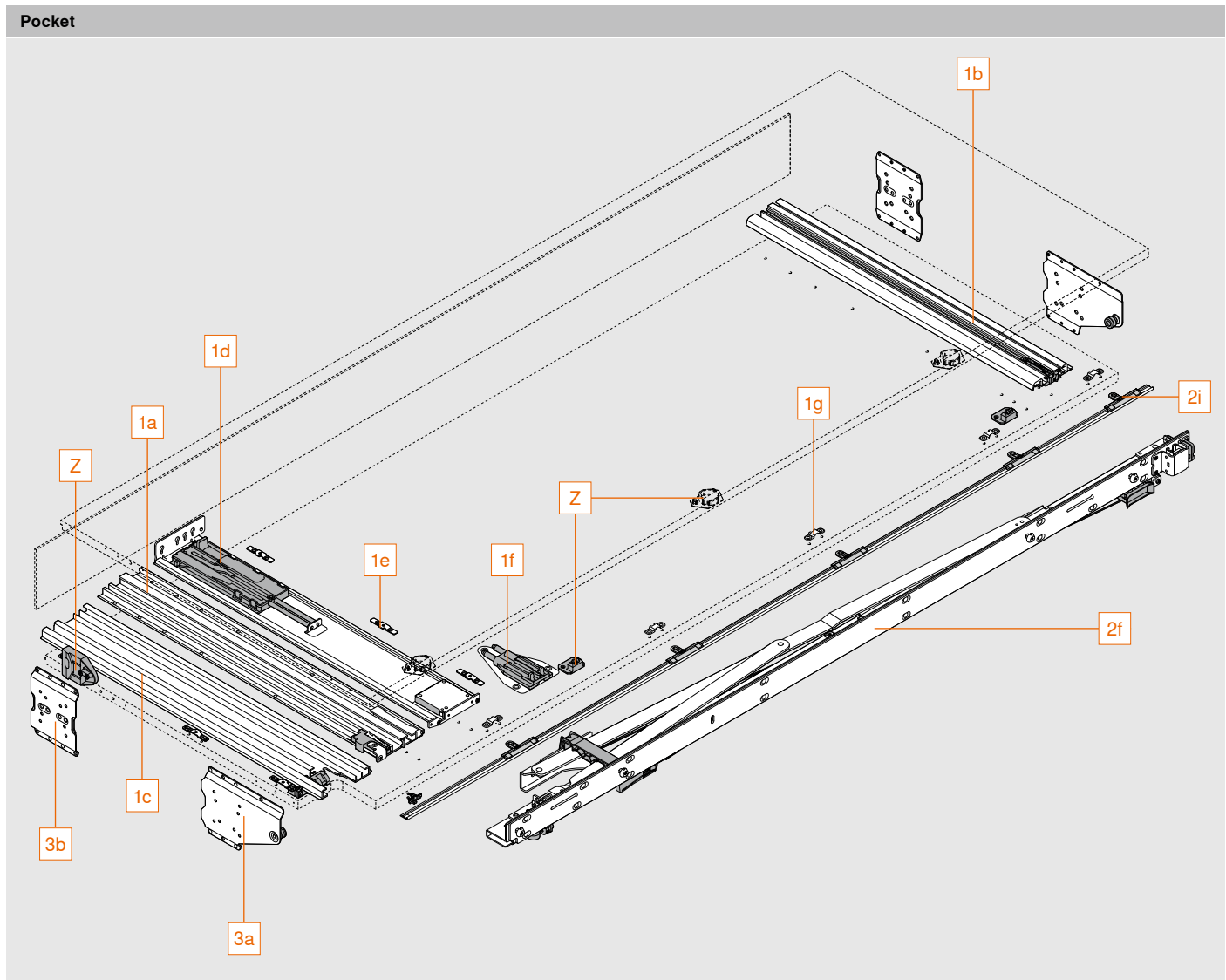
Link www.blum.com/DQIVXA

It is easy to work out the fittings and drilling positions you need using the Product Configurator. Still not got your login details for our E-SERVICES? Register here to gain free access.


Product Configurator
www.blum.com/rev3pc

Assembly and adjustment
www.blum.com/rev3md

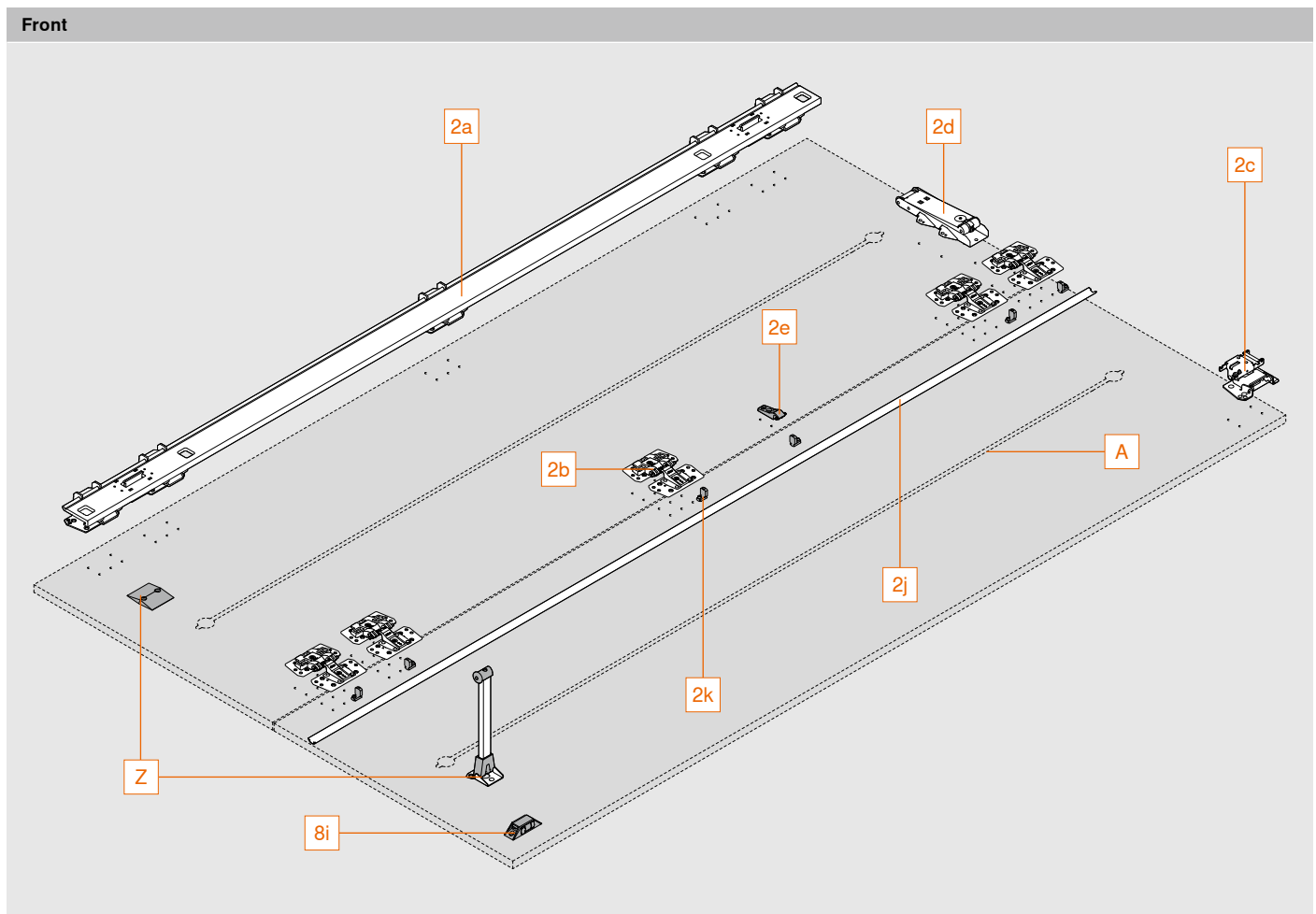
Double door component overview



Consisting of:

1a	Top pocket profile
1b	Bottom pocket profile
1c	Roller profile
1d	TIP-ON unit pocket
1e	Fixing clips
1f	BLUMOTION unit pocket
1g	Attachment for pocket cover strip
2f	Hinge bracket
2i	Pocket cover strip incl. mounting
3a	Front pocket connector
3b	Back pocket connector
Z	Adapter for electrical appliance switch-off
Z	Scuff guard

Double door component overview

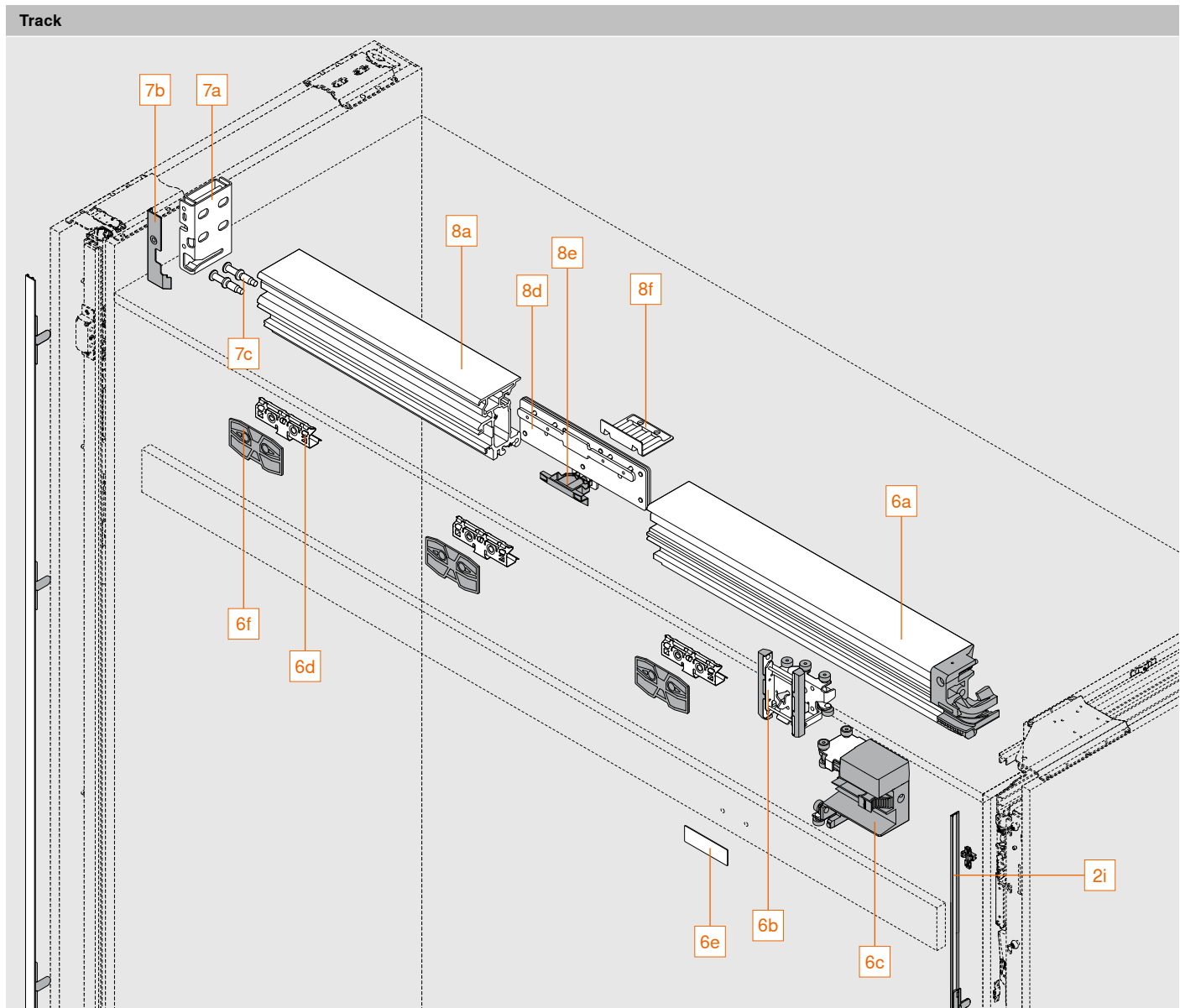


Consisting of:

2a	Hinge strip
2b	Double door hinge
2c	Roller carriage hinge
2d	TIP-ON unit door
2e	Support for door cover strip
2j	Door cover strip
2k	Mounting for door cover strip
8i	Inter-door support
Z	Inner door support incl. tip-assist

A We recommend at least one alignment fitting with a maximum installation height of 20 mm per front

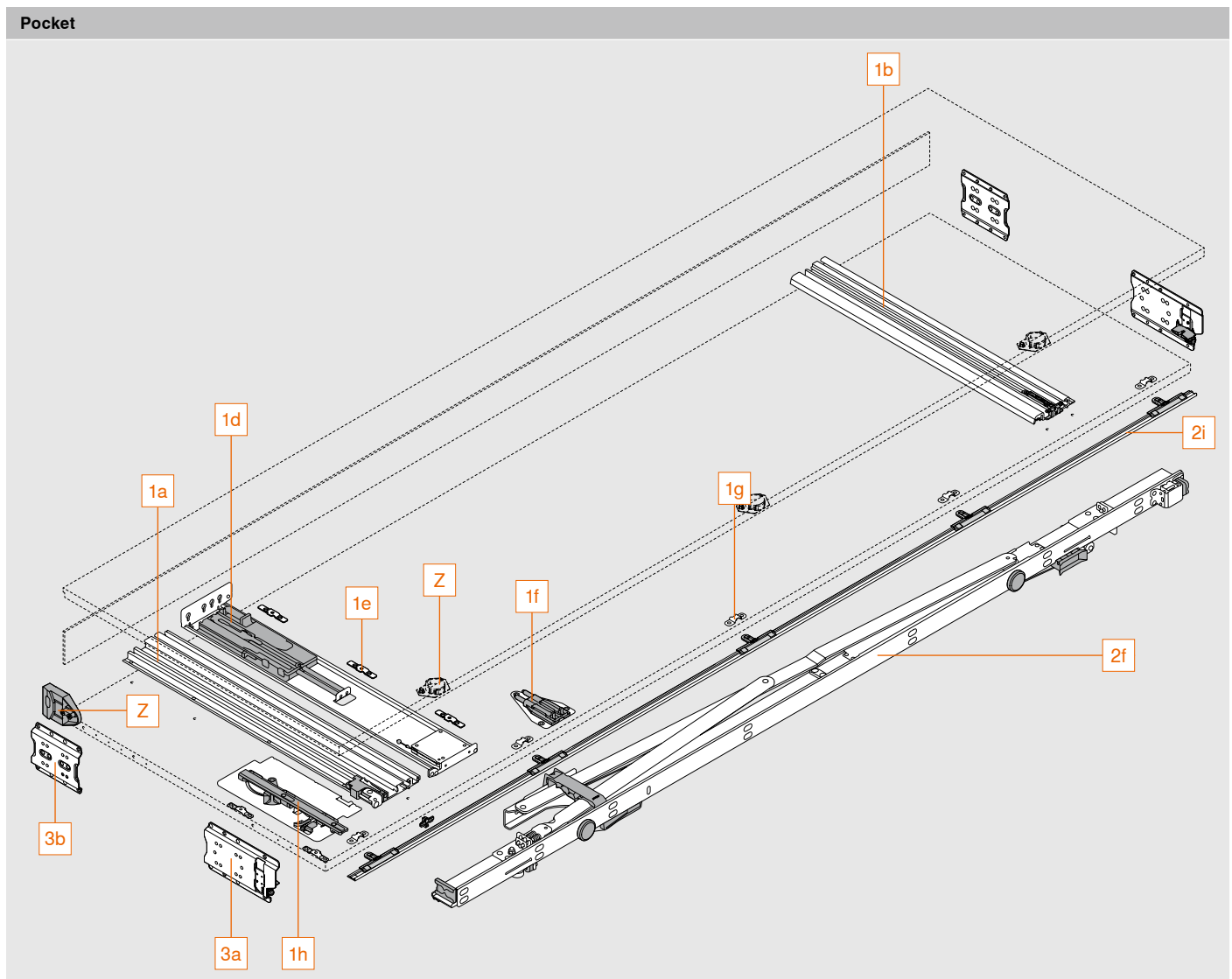
Double door component overview



Consisting of:

2i	Pocket cover strip incl. mounting
6a	Track
6b	Roller carriage
6c	Roller carriage transporter
6d	Mounting for track cover panels
6e	Catch plate
6f	Spacer
7a	Track fixing
7b	Cover for track fixing
7c	Pin for track fixing
8a	Track extension
8d	Track connection
8e	Cover for track connection
8f	Support angle for depth adjustment

Single door component overview



Consisting of:

1a	Top pocket profile
1b	Bottom pocket profile
1d	TIP-ON unit pocket
1e	Fixing clips
1f	BLUMOTION unit pocket
1g	Attachment for pocket cover strip
1h	BLUMATIC unit
2f	Hinge bracket
2i	Pocket cover strip incl. mounting
3a	Front pocket connector
3b	Back pocket connector
Z	Adapter for electrical appliance switch-off
	Scuff guard

Single door component overview

Front

Consisting of:

1i	Door stabiliser
2a	Hinge strip
2g	TIP-ON spacing
8i	Inter-door support

A We recommend at least one alignment fitting with a maximum installation height of 3 mm. Alignment fittings that protrude above a height of 3 mm must not be used in the pocket.

Double door ordering information

1 Pocket profile set with TIP-ON				
Nominal length NL (mm)		Min. pocket depth POT* (mm)	Left	Right
450		550	802P450D.L2	802P450D.R2
525		625	802P525D.L2	802P525D.R2
600		700	802P600D.L2	802P600D.R2
675		775	802P675D.L2	802P675D.R2
750		850	802P750D.L2	802P750D.R2

* Specification without pocket back. A back construction with a back thickness of at least 4 mm is required.
Pocket and roller profiles as well as TIP-ON unit pocket can be shortened to an individual nominal length.

Consisting of:

1a	1 x	Top pocket profile
1b	1 x	Bottom pocket profile
1c	1 x	Roller profile
1d	1 x	TIP-ON unit pocket
1e	6 x	Fixing clips
1f	1 x	BLUMOTION unit pocket
1g	5 x	Attachment for pocket cover strip

2 Hinge bracket set with TIP-ON			
Pocket height (mm)		Left	Right
1807 – 1956		802T1000.L2	802T1000.R2
1957 – 2106		802T2000.L2	802T2000.R2
2107 – 2256		802T3000.L2	802T3000.R2
2257 – 2406		802T4000.L2	802T4000.R2
2407 – 2556		802T5000.L2	802T5000.R2
2557 – 2706		802T6000.L2	802T6000.R2
2707 – 2856		802T7000.L2	802T7000.R2
2857 – 2999		802T8000.L2	802T8000.R2

Note:

Door cover strips must be shortened to a specific length

Consisting of:

2a	1 x	Hinge strip
2b	5 x	Double door hinge
2c	1 x	Roller carriage hinge
2d	1 x	TIP-ON unit door
2e	1 x	Support for door cover strip
2f	1 x	Hinge bracket
2i	1 x	Pocket cover strip incl. 5 x mountings, black anodized
2j	1 x	Door cover strip, black anodized
2k	6 x	Mounting for door cover strip

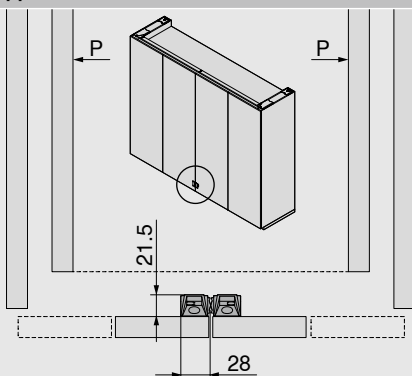
Double door ordering information

Pocket connector set				
Select pocket connector set 3 or 4 depending on application				
3	Application with plinth			
Pocket side thickness (mm)		Colour		
15 – 17		Black		802V560B
18 – 19		Black		802V580B
Pocket connector top + bottom: POVH 10 mm for 0 – 6 mm gap				
POVH Pocket connector height				
Consisting of:				
3a	2 x	Front pocket connector		
3b	2 x	Back pocket connector		
4	Application without plinth			
Pocket side thickness (mm)		Colour	Left	Right
15 – 17		Black	802V660B.L1	802V660B.R1
18 – 19		Black	802V680B.L1	802V680B.R1
Pocket connector top: POVH 10 mm for 0 – 6 mm gap (POVH 3 mm on request)				
Pocket connector bottom: POVH 3 mm for gap from 7 – 13 mm				
POVH Pocket connector height				
Consisting of:				
4a	2 x	Front pocket connector		
4b	2 x	Back pocket connector		
6	Track set			
LWA ² double door (mm)		Colour	Left	Right
1050		Black anodized	802L1050DL1	802L1050DR1
1200		Black anodized	802L1200DL1	802L1200DR1
1250		Black anodized	802L1250DL1	802L1250DR1
1350		Black anodized	802L1350DL1	802L1350DR1
LWA ² Internal width within the application, double door				
Track can be shortened to any length				
Consisting of:				
6a	1 x	Track		
6b	1 x	Roller carriage		
6c	1 x	Roller carriage transporter		
6d	2 x	Mounting for track cover panels		
6e	1 x	Catch plate, black		
6f	2 x	Spacer		

Double door ordering information

8 Assembly set for a single door and double door combined			
LWA' single door (mm)		Left	Right
600		802M6003.L1	802M6003.R1
700		802M7003.L1	802M7003.R1
800		802M8003.L1	802M8003.R1
LWA' Internal width within the application, single door			
Track extension can be shortened to any length.			
Consisting of:			
6d	1 x	Mounting for track cover panel	
6f	1 x	Spacer	
7a	1 x	Track fixing	
7b	1 x	Cover for track fixing	
7c	2 x	Pin for track fixing	
8a	1 x	Track extension	
8d	1 x	Track connection	
8e	1 x	Cover for track connection	
8i	1 x	Inter-door support	
8f	1 x	Support angle for depth adjustment	

Inter-door support



P Pocket

Note

- Supports a single door against a double door or two double doors against each other

Double door ordering information

Z		Accessories	
-		Inner door support incl. tip-assist	802ZA030
For additional support on the worktop area, plinth front, cabinet, etc.			
-		Adapter for electrical appliance switch-off	802ZG0CS
Consisting of:			
1 x		Contact switch adapter	
1 x		Ring magnet with catch plate	
1 x		4 countersunk screws M4x12 for contact switch adapter	
1 x		2 round head screws M4x5 for contact switch adapter	
Suitable exclusively for electrical appliance switch-off with magnetic contact (part number 3623011) from Halemeier GmbH (www.halemeier.de)			
Liability disclaimer: Blum does not accept any liability for the function of the electrical appliance switch-off			
-		Scuff guard	802ZA00S
Consisting of:			
3 x		External pocket side scuff guard	
2 x		Internal pocket side scuff guard	
For front thicknesses starting from 23 mm			
For front thicknesses less than 23 mm, the scuff guard can be used as additional front protection			
-		System screws, 6 x 14.5 mm, nickel plated	661.1450.HG

Inner door support incl. tip-assist

P Pocket

Note

- Support on the worktop area, plinth front, cabinet, etc.
- Distance to internal installation 70 - 218 mm
- Assembly height of the door support ideally as far down as possible, however up to a maximum height of 1000 mm from the front bottom edge

Single door ordering information

1 Pocket profile set with TIP-ON				
Nominal length NL (mm)		Min. pocket depth POT* (mm)	Left	Right
450		550	801P450E.L2	801P450E.R2
500		600	801P500E.L2	801P500E.R2
600		700	801P600E.L2	801P600E.R2
700		800	801P700E.L2	801P700E.R2
800		900	801P800E.L2	801P800E.R2

* Specification without pocket back. A back construction with a back thickness of at least 4 mm is required.
Pocket profiles and TIP-ON unit pocket can be shortened to an individual nominal length.

Consisting of:

1a	1 x	Top pocket profile
1b	1 x	Bottom pocket profile
1d	1 x	TIP-ON unit pocket
1e	5 x	Fixing clips
1f	1 x	BLUMOTION unit pocket
1g	5 x	Attachment for pocket cover strip
1h	1 x	BLUMATIC unit
1i	2 x	Door stabiliser: runner profile incl. end cap, black anodized

2 Hinge bracket set				
Pocket height (mm)			Left	Right
1807 – 1956			801T1000.L2	801T1000.R2
1957 – 2106			801T2000.L2	801T2000.R2
2107 – 2256			801T3000.L2	801T3000.R2
2257 – 2406			801T4000.L2	801T4000.R2
2407 – 2556			801T5000.L2	801T5000.R2
2557 – 2706			801T6000.L2	801T6000.R2
2707 – 2856			801T7000.L2	801T7000.R2
2857 – 2999			801T8000.L2	801T8000.R2

Note:

Door cover strips must be shortened to a specific length

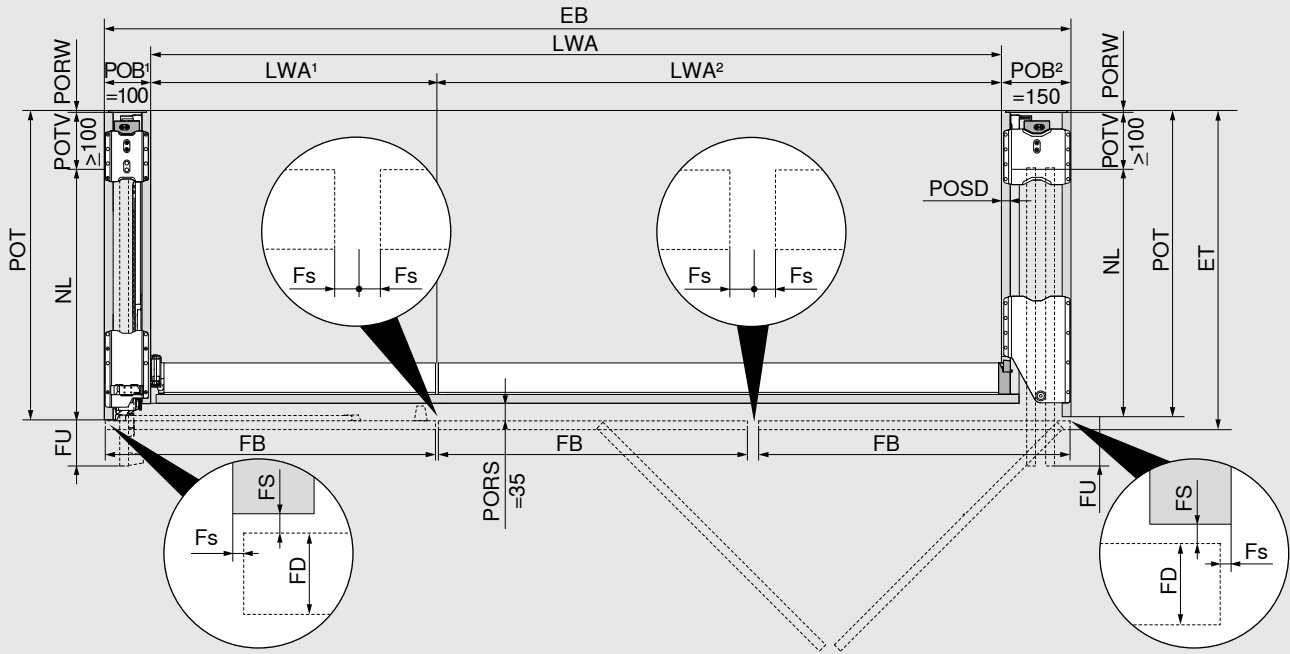
Consisting of:

2a	1 x	Hinge strip, black
2f	1 x	Hinge bracket
2g	1 x	TIP-ON spacing
2h	1 x	TIP-ON incl. catch plate
2i	1 x	Pocket cover strip incl. 5 x mountings, black anodized
-	29 x	System screws for 1i, 2a and 2g, 6 x 14.5 mm, black

Single door ordering information

Pocket connector set			
Select pocket connector set 3 or 4 depending on application			
3	Pocket connector set for application with plinth		
Pocket side thickness (mm)		Colour	
15 – 19		Black	
801V505B			
Pocket connector top + bottom: POVH 10 mm for 0 – 6 mm gap			
POVH Pocket connector height			
Consisting of:			
3a	2 x	Front pocket connector	
3b	2 x	Back pocket connector	
4	Pocket connector set for application without plinth		
Pocket side thickness (mm)		Colour	
15 – 19		Black	
		Left	Right
		801V605B.L1	801V605B.R1
Pocket connector top: POVH 10 mm for 0 – 6 mm gap (POVH 3 mm on request)			
Pocket connector bottom: POVH 3 mm for gap from 7 – 13 mm			
POVH Pocket connector height			
Consisting of:			
4a	2 x	Front pocket connector	
4b	2 x	Back pocket connector	
Z	Accessories		
–	Adapter for electrical appliance switch-off		801ZG0BS
Consisting of:			
1 x	Contact switch adapter		
1 x	Ring magnet with catch plate		
1 x	4 countersunk screws M4x12 for contact switch adapter		
1 x	2 round head screws M4x5 for contact switch adapter		
Suitable exclusively for electrical appliance switch-off with magnetic contact (part number 3623011) from Halemeier GmbH (www.halemeier.de)			
Liability disclaimer: Blum does not accept any liability for the function of the electrical appliance switch-off			
–	Scuff guard		801ZA00S
Consisting of:			
3 x	External pocket side scuff guard		
For front thicknesses starting from 23 mm			
For front thicknesses less than 23 mm, the scuff guard can be used as additional front protection			
–	System screws, 6 x 14.5 mm, nickel plated		661.1450.HG

Planning



Mounting width/internal width within the application

$$EB = LWA^1 + LWA^2 + POB^1 (100 \text{ mm}) + POB^2 (150 \text{ mm})$$

Front width/front protrusion

$$\text{Double door: } FB = (LWA^2 + POB^2) : 2 (\text{fronts}) - 2 \times Fs (1.0 - 4.0 \text{ mm})$$

$$\text{Single door: } FB = LWA^1 + POB^1 - 2 \times Fs (1.0 - 4.0 \text{ mm})$$

$$\text{Max. } NL = FB + 8 \text{ mm}$$

$$FU = FB - NL + 15 \text{ mm}$$

(Min. FU = 7 mm)

Installation depth/pocket depth

$$ET = POT + FS (2 \text{ mm}) + FD$$

$$FD = 18 - 26 \text{ mm}$$

$$\text{Min. } POT = NL + POTV (\geq 100 \text{ mm}) + PORW (\geq 4 \text{ mm}), \text{ max. } POT = 1000 \text{ mm}$$

$$POSD = 15 - 19 \text{ mm}$$

Note

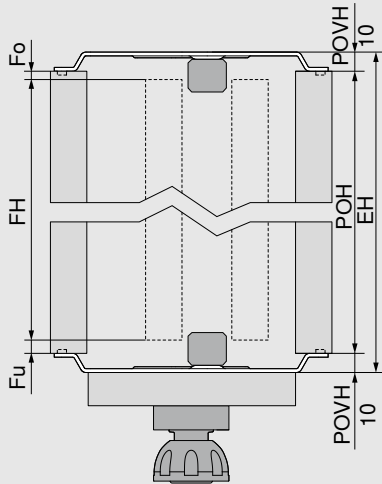
- FU is dependent on pocket side thickness, gaps and tolerances
- To ensure optimum functionality, the fronts are slightly tilted inside the pocket
- A construction of some kind (base cabinets) must be installed within the application for stability reasons
- With front thicknesses (FD) of more than 23 mm, the side gap (Fs), the outside front radius and the inner radius of the external pocket side must be at least 3 mm
- The internal width within the application determines the maximum width to be planned for the internal construction

EB	Installation width
ET	Installation depth
Fs	Side gap
FB	Front width
FD	Front thickness
FS	Front gap
FU	Front protrusion
LWA	Internal width within the application
LWA ¹	Internal width within the application, single door
LWA ²	Internal width within the application, double door
NL	Nominal length
POB ¹	Single door pocket width
POB ²	Double door pocket width
POT	Pocket depth
PORS	Pocket back cut
PORW	Pocket back
POSD	Pocket side thickness
POTV	Pocket depth loss

Planning

Installation height, front height

Application with plinth



$FH = POH - Fo - Fu$

$EH \leq POH + POVH \text{ top and bottom}$

$POH = FH + Fo + Fu$

POVH 10 mm: gap 0 – 6 mm

Note

- Note tilt angle when erecting!
- Minimum distance from the front bottom edge to the floor 10 mm, to the next element above and below 6 mm
- Minimum plinth height 80 mm

EH Installation height

Fo Top gap

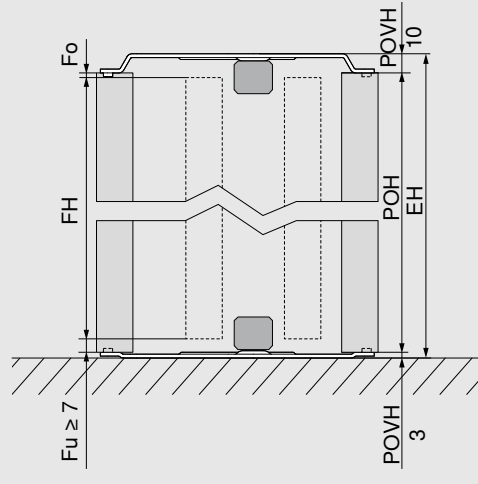
Fu Bottom gap

FH Front height

POH Pocket height

POVH Pocket connector height

Application without plinth



$FH = POH - Fo - Fu$

$EH \leq POH + POVH \text{ top and bottom}$

$POH = FH + Fo + Fu$

POVH top 10 mm: gap 0 – 6 mm

POVH bottom 3 mm: gap from 7 – 13 mm

Note

- Note tilt angle when erecting!
- Minimum distance from the front bottom edge to the floor 10 mm, to the next element above and below 6 mm

EH Installation height

Fo Top gap

Fu Bottom gap

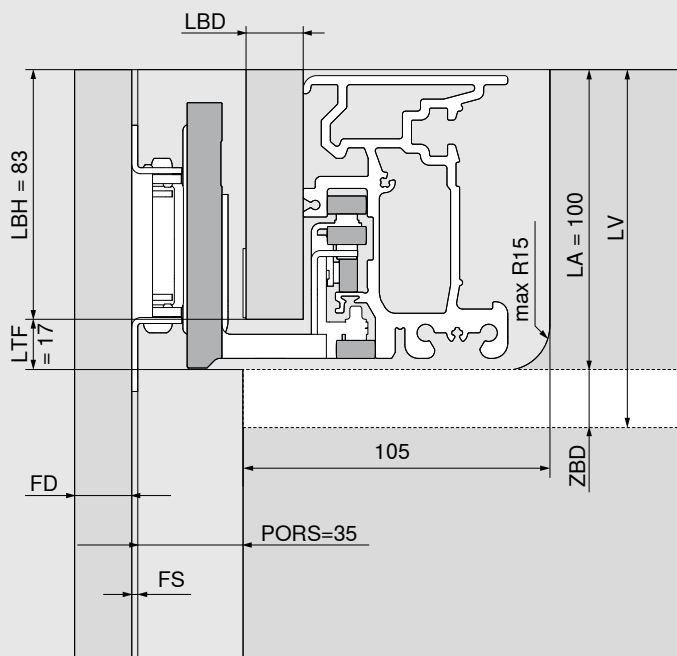
FH Front height

POH Pocket height

POVH Pocket connector height

Planning

Track installation dimension



LBH = 83 mm

LBD = 15 - 19 mm
(≤ 17 mm the spacer must be used)

LTF = 17 mm

LA = 100 mm

LV = LA + ZBD (≥ 15 mm)

Note

- We recommend using a cross member to stabilise the fixed shelf. Minimum distance to front edge of internal pocket side = 170 mm
- A solid connection between the fixed shelf and the pocket with connector fittings is recommended for an attractive gap layout
- No mounting of add-on parts directly on the track

FD Front thickness

LA Track cut-out

LV Track installation

LBD Track cover panel thickness

LBH Track cover panel height

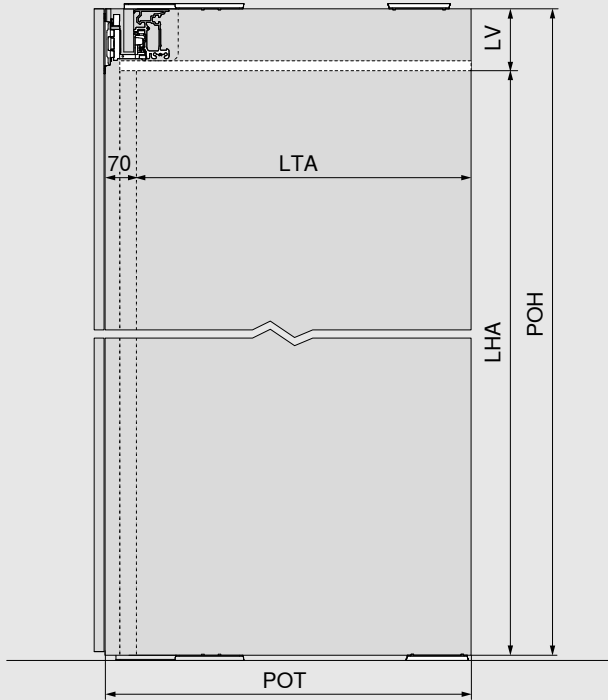
LTF Track gap

PORS Pocket back out

ZBD Fixed shelf thickness

Planning

Internal height and internal depth within the application



$LHA = POH - LV$

$LTA = POT - 70 \text{ mm}$

Note

- The internal height/internal depth within the application determines the maximum height/depth to be planned for the internal construction

LHA Internal height within the application

LTA Internal depth within the application

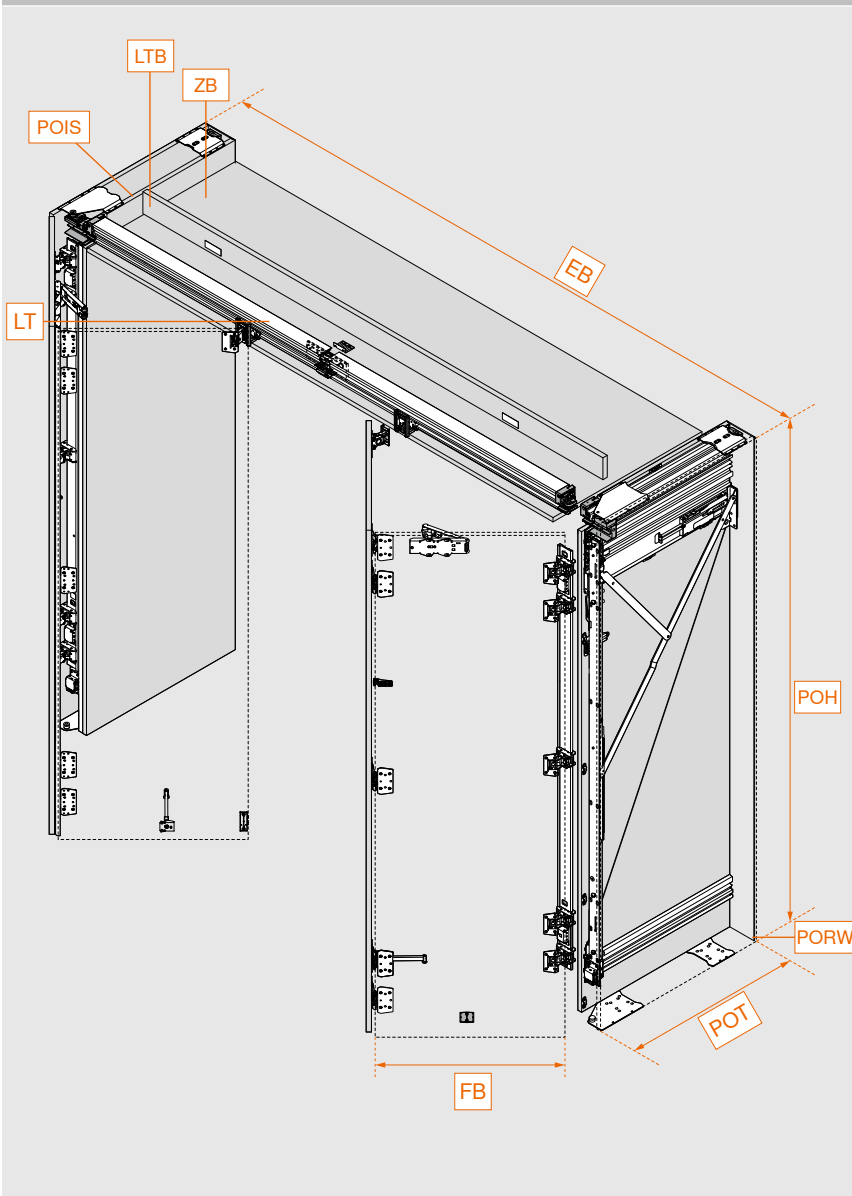
LV Track installation

POH Pocket height

POT Pocket depth



Installation position	Double right + double door left (mm)		
	Installation dimensions	Width 1800 – 3000	Height 1820 – 3012
Internal dimensions within the application	Width up to 2700	Height up to 2884	Depth 484 – 909
Pocket dimensions	Width 150	Height 1807 – 2999	Depth 554 – 979
Front dimensions	Width 442 – 748	Height 1800 – 2980	Thickness 18 – 26
Front weight	35 kg per front max.		

Overview


EB	Installation width
FB	Front width
LT	Track
LTB	Track cover panel
POH	Pocket height
POT	Pocket depth
POIS	Internal pocket side
PORW	Pocket back
ZB	Fixed shelf

Fittings selection made easy

Webcode **DQIVMM**
Link **www.blum.com/DQIVMM**

It is easy to work out the fittings and drilling positions you need using the Product Configurator. Still not got your login details for our E-SERVICES? Register here to gain free access.



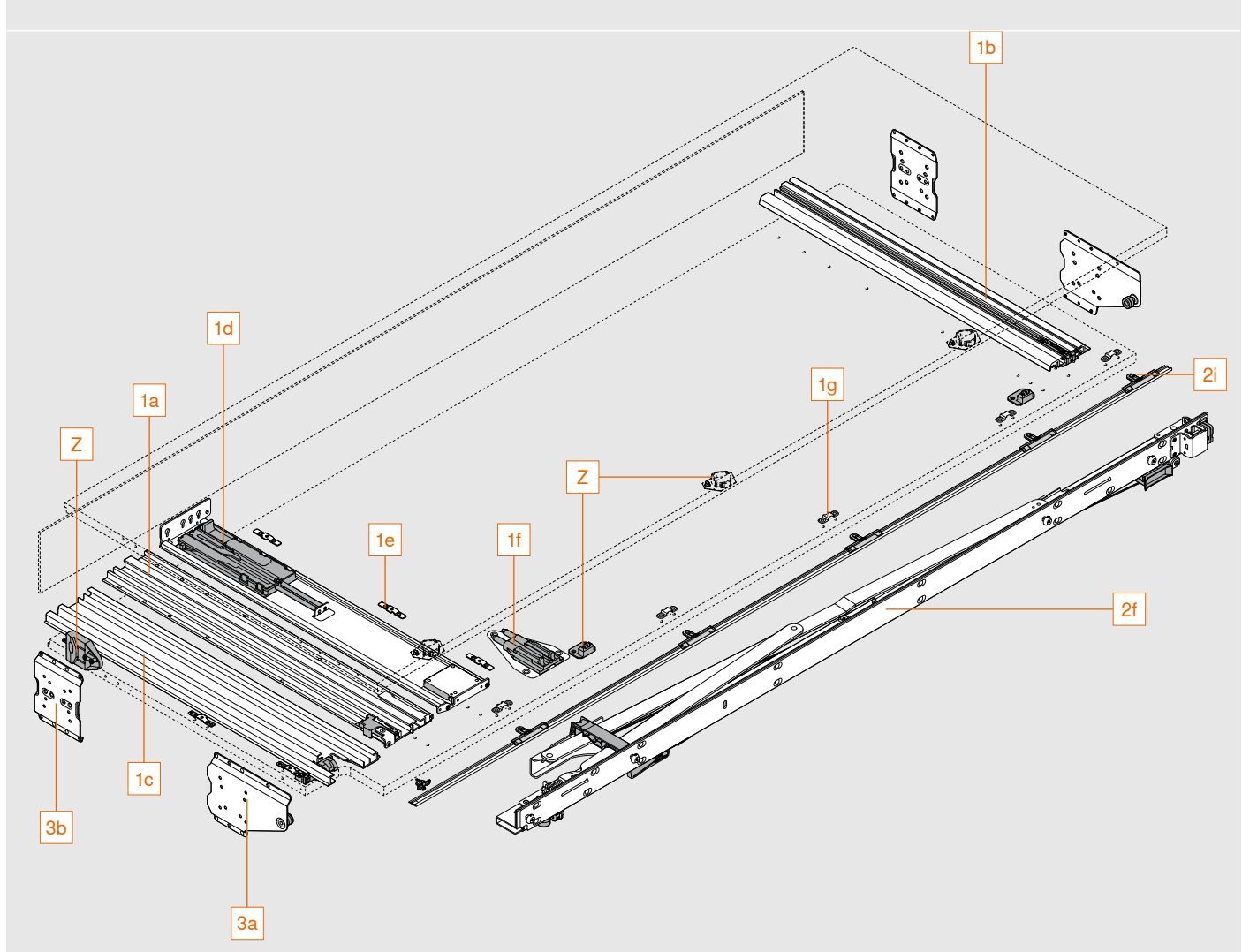
Product Configurator
www.blum.com/rev4pc



Assembly and adjustment
www.blum.com/rev4md

Component overview

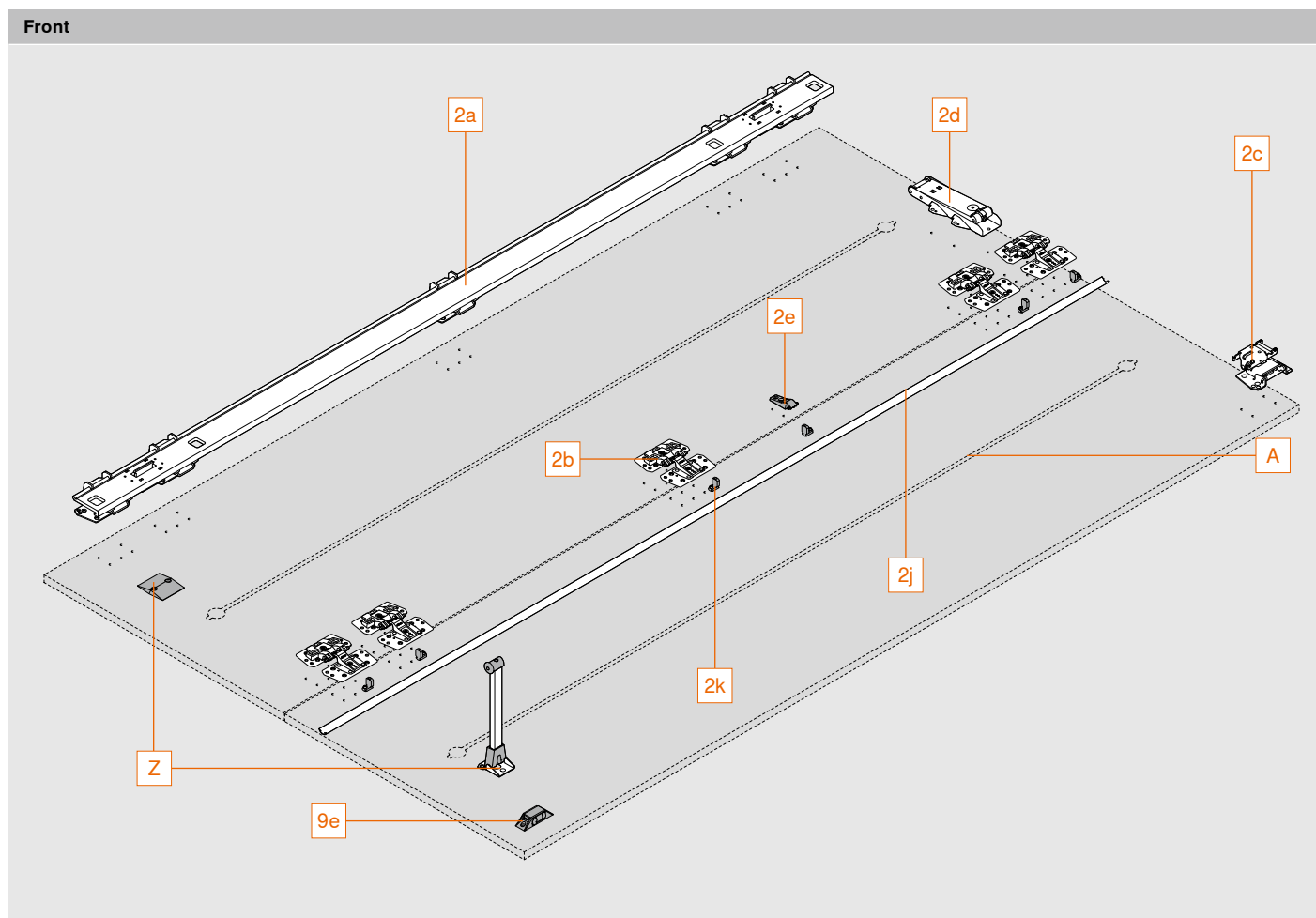
Pocket



Consisting of:

1a	Top pocket profile
1b	Bottom pocket profile
1c	Roller profile
1d	TIP-ON unit pocket
1e	Fixing clips
1f	BLUMOTION unit pocket
1g	Attachment for pocket cover strip
2f	Hinge bracket
2i	Pocket cover strip incl. mounting
3a	Front pocket connector
3b	Back pocket connector
Z	Adapter for electrical appliance switch-off
Z	Scuff guard

Component overview



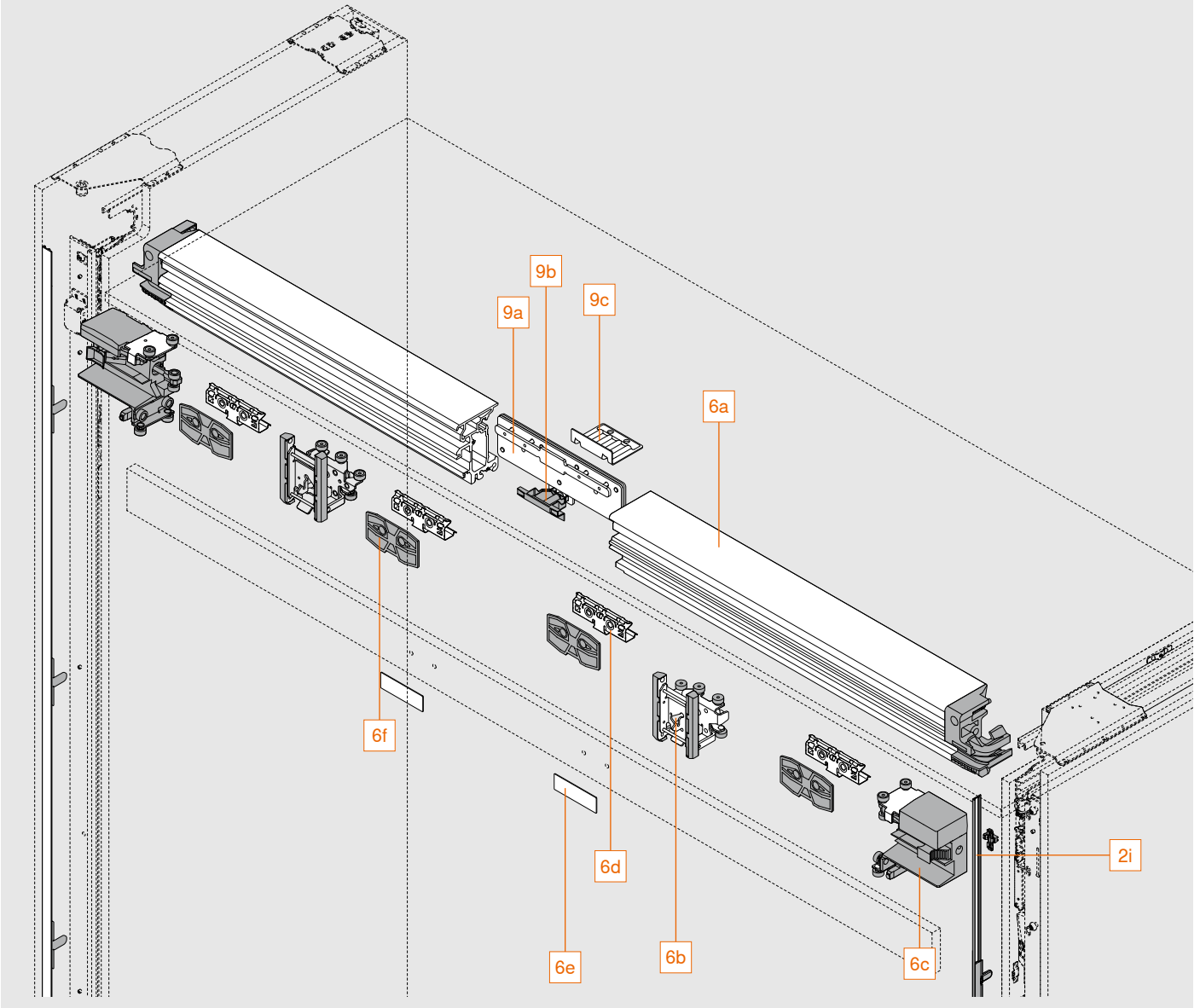
Consisting of:

2a	Hinge strip
2b	Double door hinge
2c	Roller carriage hinge
2d	TIP-ON unit door
2e	Support for door cover strip
2j	Door cover strip
2k	Mounting for door cover strip
9e	Inter-door support
Z	Inner door support incl. tip-assist

A We recommend at least one alignment fitting with a maximum installation height of 20 mm per front

Component overview

Track



Consisting of:

2i	Pocket cover strip incl. mounting
6a	Track
6b	Roller carriage
6c	Roller carriage transporter
6d	Mounting for track cover panels
6e	Catch plate
6f	Spacer
9a	Track connection
9b	Cover for track connection
9c	Support angle for depth adjustment

Ordering information

1 Pocket profile set with TIP-ON				
Nominal length NL (mm)		Min. pocket depth POT* (mm)	Left	Right
450		550	802P450D.L2	802P450D.R2
525		625	802P525D.L2	802P525D.R2
600		700	802P600D.L2	802P600D.R2
675		775	802P675D.L2	802P675D.R2
750		850	802P750D.L2	802P750D.R2

* Specification without pocket back. A back construction with a back thickness of at least 4 mm is required.

Order set for each double door, 1x left and 1x right.

Pocket and roller profiles as well as TIP-ON unit pocket can be shortened to an individual nominal length.

Consisting of:

1a	1 x	Top pocket profile
1b	1 x	Bottom pocket profile
1c	1 x	Roller profile
1d	1 x	TIP-ON unit pocket
1e	6 x	Fixing clips
1f	1 x	BLUMOTION unit pocket
1g	5 x	Attachment for pocket cover strip

2 Hinge bracket set with TIP-ON				
Pocket height (mm)			Left	Right
1807 – 1956			802T1000.L2	802T1000.R2
1957 – 2106			802T2000.L2	802T2000.R2
2107 – 2256			802T3000.L2	802T3000.R2
2257 – 2406			802T4000.L2	802T4000.R2
2407 – 2556			802T5000.L2	802T5000.R2
2557 – 2706			802T6000.L2	802T6000.R2
2707 – 2856			802T7000.L2	802T7000.R2
2857 – 2999			802T8000.L2	802T8000.R2

Order set for each double door, 1x left and 1x right.

Note:

Door cover strips must be shortened to a specific length

Consisting of:

2a	1 x	Hinge strip
2b	5 x	Double door hinge
2c	1 x	Roller carriage hinge
2d	1 x	TIP-ON unit door
2e	1 x	Support for door cover strip
2f	1 x	Hinge bracket
2i	1 x	Pocket cover strip incl. 5 x mountings, black anodized
2j	1 x	Door cover strip, black anodized
2k	6 x	Mounting for door cover strip

Ordering information

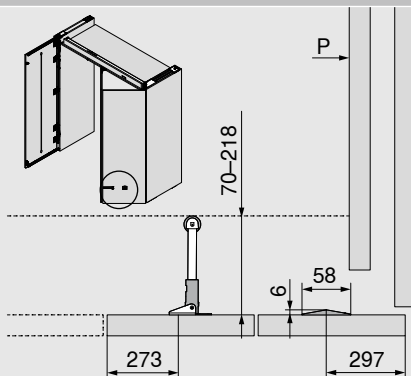
Pocket connector set				
Select pocket connector set 3 or 4 depending on application				
3	Application with plinth			
Pocket side thickness (mm)	Colour			
15 – 17	Black		802V560B	
18 – 19	Black		802V580B	
Pocket connector top + bottom: POVH 10 mm for 0 – 6 mm gap				
POVH Pocket connector height				
Order 1x per double door				
Consisting of:				
3a	2 x	Front pocket connector		
3b	2 x	Back pocket connector		
4	Application without plinth			
Pocket side thickness (mm)	Colour		Left	Right
15 – 17	Black		802V660B.L1	802V660B.R1
18 – 19	Black		802V680B.L1	802V680B.R1
Pocket connector top: POVH 10 mm for 0 – 6 mm gap (POVH 3 mm on request)				
Pocket connector bottom: POVH 3 mm for gap from 7 – 13 mm				
POVH Pocket connector height				
Order 1x left and 1x right per double door				
Consisting of:				
4a	2 x	Front pocket connector		
4b	2 x	Back pocket connector		
6	Track set			
LWA ² (mm)	Colour		Left	Right
1050	Black anodized		802L1050DL1	802L1050DR1
1200	Black anodized		802L1200DL1	802L1200DR1
1250	Black anodized		802L1250DL1	802L1250DR1
1350	Black anodized		802L1350DL1	802L1350DR1
LWA ² Internal width within the application, double door				
Order set for each double door, 1x left and 1x right.				
Track can be shortened to any length				
Consisting of:				
6a	1 x	Track		
6b	1 x	Roller carriage		
6c	1 x	Roller carriage transporter		
6d	2 x	Mounting for track cover panels		
6e	1 x	Catch plate, black		
6f	2 x	Spacer		

Ordering information

9	Assembly set for two double doors combined	
Colour		
Black		802M0004
Consisting of:		
9a	1 x	Track connection
9b	1 x	Cover for track connection
9c	1 x	Support angle for depth adjustment
9e	1 x	Inter-door support

Z	Accessories	
–	Inner door support incl. tip-assist	802ZA030
For additional support on the worktop area, plinth front, cabinet, etc.		
–	Adapter for electrical appliance switch-off	802ZG0CS
Consisting of:		
1 x	Contact switch adapter	
1 x	Ring magnet with catch plate	
1 x	4 countersunk screws M4x12 for contact switch adapter	
1 x	2 round head screws M4x5 for contact switch adapter	
Suitable exclusively for electrical appliance switch-off with magnetic contact (part number 3623011) from Halemeier GmbH (www.halemeier.de)		
Liability disclaimer: Blum does not accept any liability for the function of the electrical appliance switch-off		
–	Scuff guard	802ZA00S
Consisting of:		
3 x	External pocket side scuff guard	
2 x	Internal pocket side scuff guard	
For front thicknesses starting from 23 mm		
For front thicknesses less than 23 mm, the scuff guard can be used as additional front protection		
–	System screws, 6 x 14.5 mm, nickel plated	661.1450.HG

Inner door support

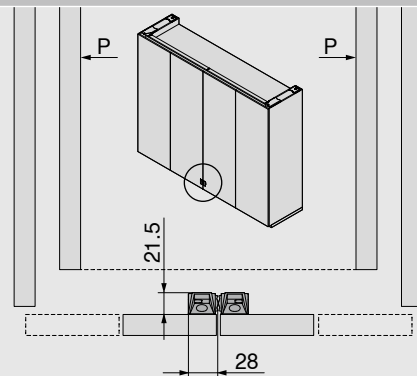


P Pocket

Note

- Support on the worktop area, plinth front, cabinet, etc.
- Distance to internal installation 70 - 218 mm
- Distance from the front bottom edge 45 – 1000 mm
- Assembly height of the door support ideally as far down as possible, however up to a maximum height of 1000 mm from the front bottom edge

Inter-door support

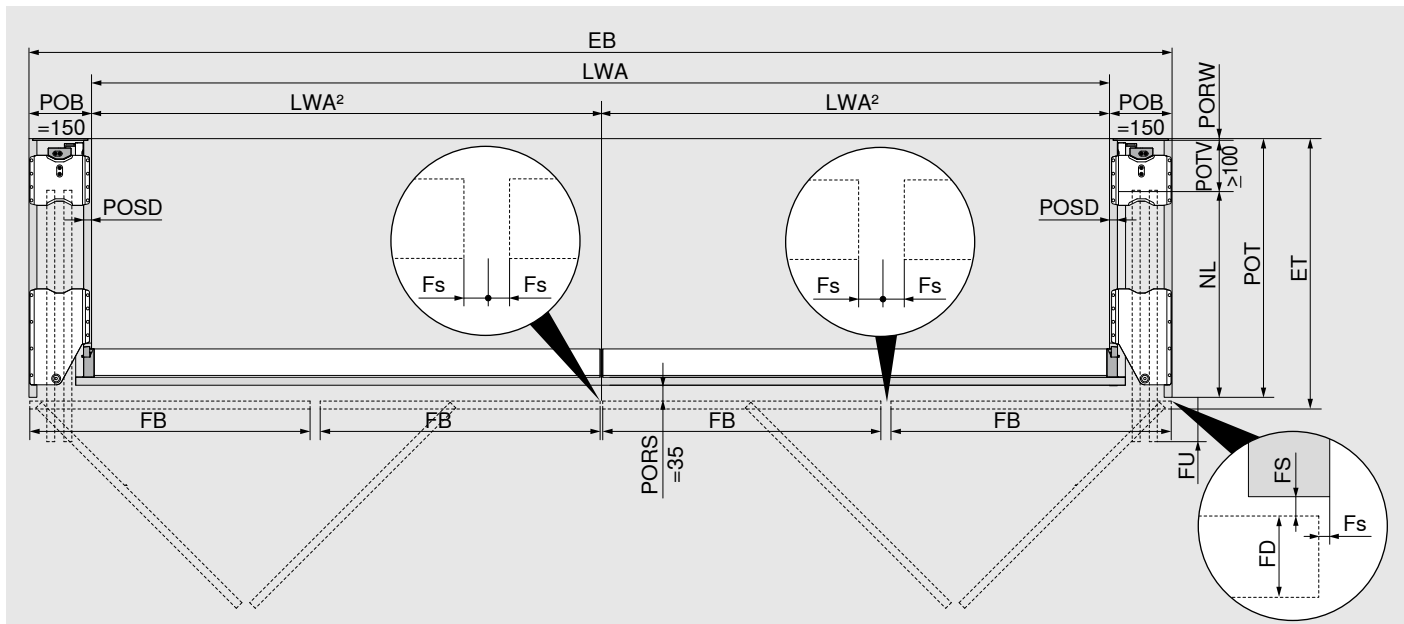


P Pocket

Note

- Supports a single door against a double door or two double doors against each other

Planning

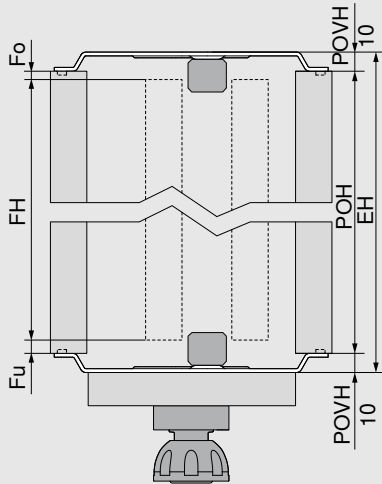


Mounting width/internal width within the application	EB	Installation width
$EB = 2 \times LWA^2 + 2 \times POB$ (150 + 150 mm)	ET	Installation depth
Front width/front protrusion	Fs	Side gap
$FB = EB: 4$ (fronts) - $2 \times Fs$ (1.0 - 4.0 mm)	FB	Front width
Max. NL = FB + 8 mm	FD	Front thickness
$FU = FB - NL + 15$ mm	FS	Front gap
(Min. FU = 7 mm)	FU	Front protrusion
Installation depth/pocket depth	LWA	Internal width within the application
$ET = POT + FS$ (2 mm) + FD	LWA ²	Internal width within the application, double door
FD = 18 - 26 mm	NL	Nominal length
Min. POT = NL + POTV (≥ 100 mm) + PORW (≥ 4 mm), max. POT = 979 mm	POB	Pocket width
POSD = 15 - 19 mm	POT	Pocket depth
Note	PORS	Pocket back cut
- FU is dependent on pocket side thickness, gaps and tolerances	PORW	Pocket back
- To ensure optimum functionality, the fronts are slightly tilted inside the pocket	POSD	Pocket side thickness
- With front thicknesses (FD) of more than 23 mm, the side gap (Fs), the outside front radius and the inner radius of the external pocket side must be at least 3 mm	POTV	Pocket depth loss
- The internal width within the application determines the maximum width to be planned for the internal construction		

Planning

Installation height, front height

Application with plinth



$$FH = POH - Fo - Fu$$

$$EH \leq POH + POVH \text{ top and bottom}$$

$$POH = FH + Fo + Fu$$

POVH 10 mm: gap 0 – 6 mm

Note

- Note tilt angle when erecting!
- Minimum distance from the front bottom edge to the floor 10 mm, to the next element above and below 6 mm
- Minimum plinth height 80 mm

EH Installation height

Fo Top gap

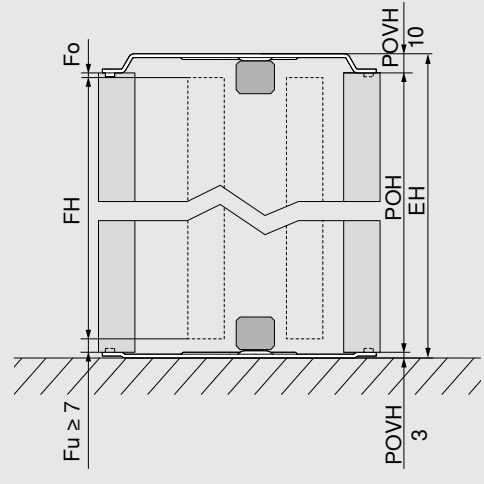
Fu Bottom gap

FH Front height

POH Pocket height

POVH Pocket connector height

Application without plinth



$$FH = POH - Fo - Fu$$

$$EH \leq POH + POVH \text{ top and bottom}$$

$$POH = FH + Fo + Fu$$

POVH top 10 mm: gap 0 – 6 mm

POVH bottom 3 mm: gap from 7 – 13 mm

Note

- Note tilt angle when erecting!
- Minimum distance from the front bottom edge to the floor 10 mm, to the next element above and below 6 mm

EH Installation height

Fo Top gap

Fu Bottom gap

FH Front height

POH Pocket height

POVH Pocket connector height

Planning

Track installation dimension

LBH = 83 mm

LBD = 15 - 19 mm
(≤ 17 mm the spacer must be used)

LTF = 17 mm

LA = 100 mm

LV = LA + ZBD (≥ 15 mm)

Note

- We recommend using a cross member to stabilise the fixed shelf. Minimum distance to front edge of internal pocket side = 170 mm
- A solid connection between the fixed shelf and the pocket with connector fittings is recommended for an attractive gap layout
- No mounting of add-on parts directly on the track

FD	Front thickness
LA	Track cut-out
LV	Track installation
LBD	Track cover panel thickness
LBH	Track cover panel height
LTF	Track gap
LTH	Track height
PORS	Pocket back cut
ZBD	Fixed shelf thickness

Internal height and internal depth within the application

LHA = POH - LV

LTA = POT - 70 mm

Note

- The internal height/internal depth within the application determines the maximum height/depth to be planned for the internal construction

LHA	Internal height within the application
LTA	Internal depth within the application
LV	Track installation
POH	Pocket height
POT	Pocket depth



Product Configurator

Obtain the exact calculation for assembling the cut-to-size profiles quickly and efficiently using the Product Configurator. The configurator calculates all the dimensions for each configuration and also outputs them as drawings.

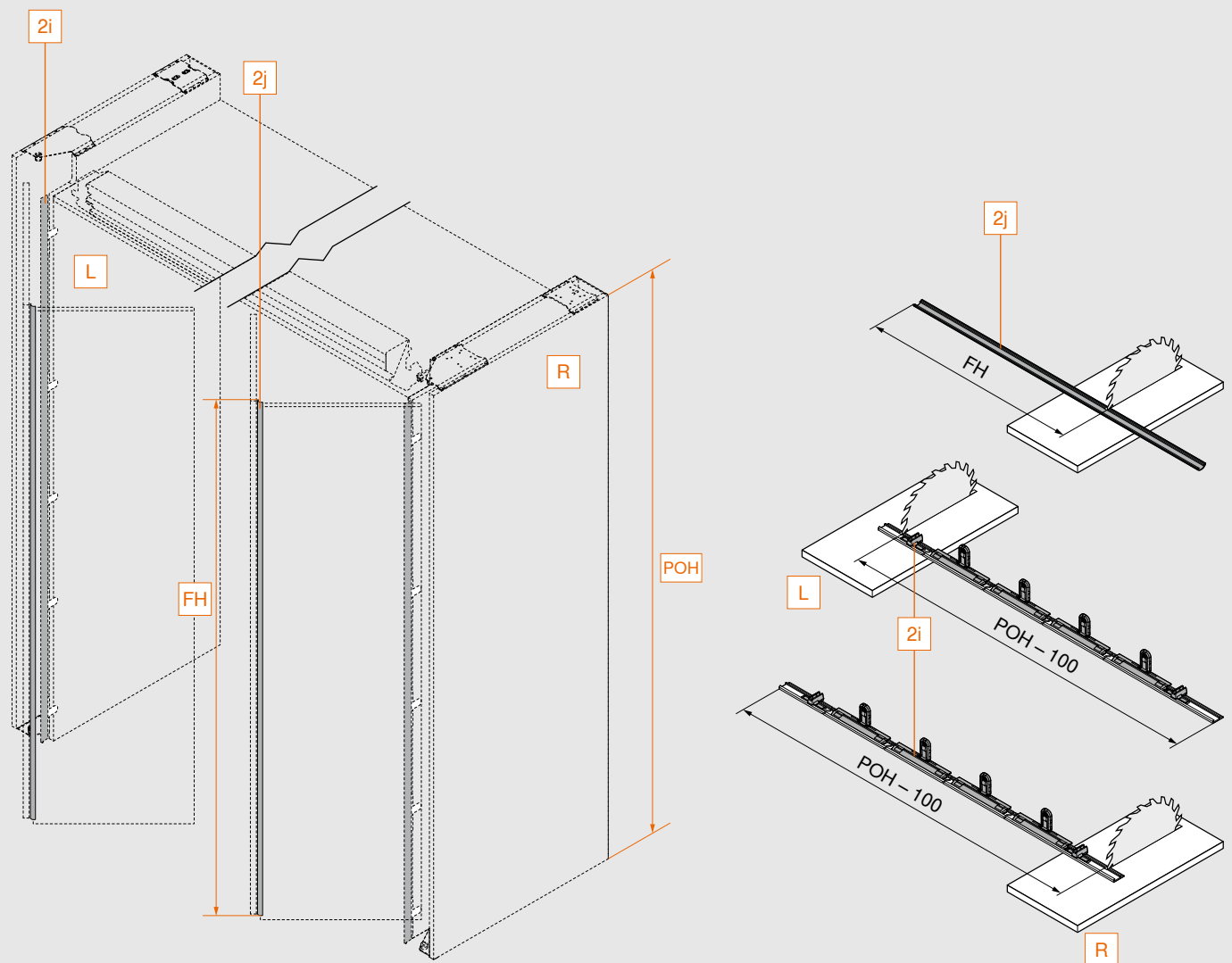


www.blum.com/revpc

Calculations and assembly of the profiles

REVEGO duo | Double door

Pocket cover strip, door cover strip

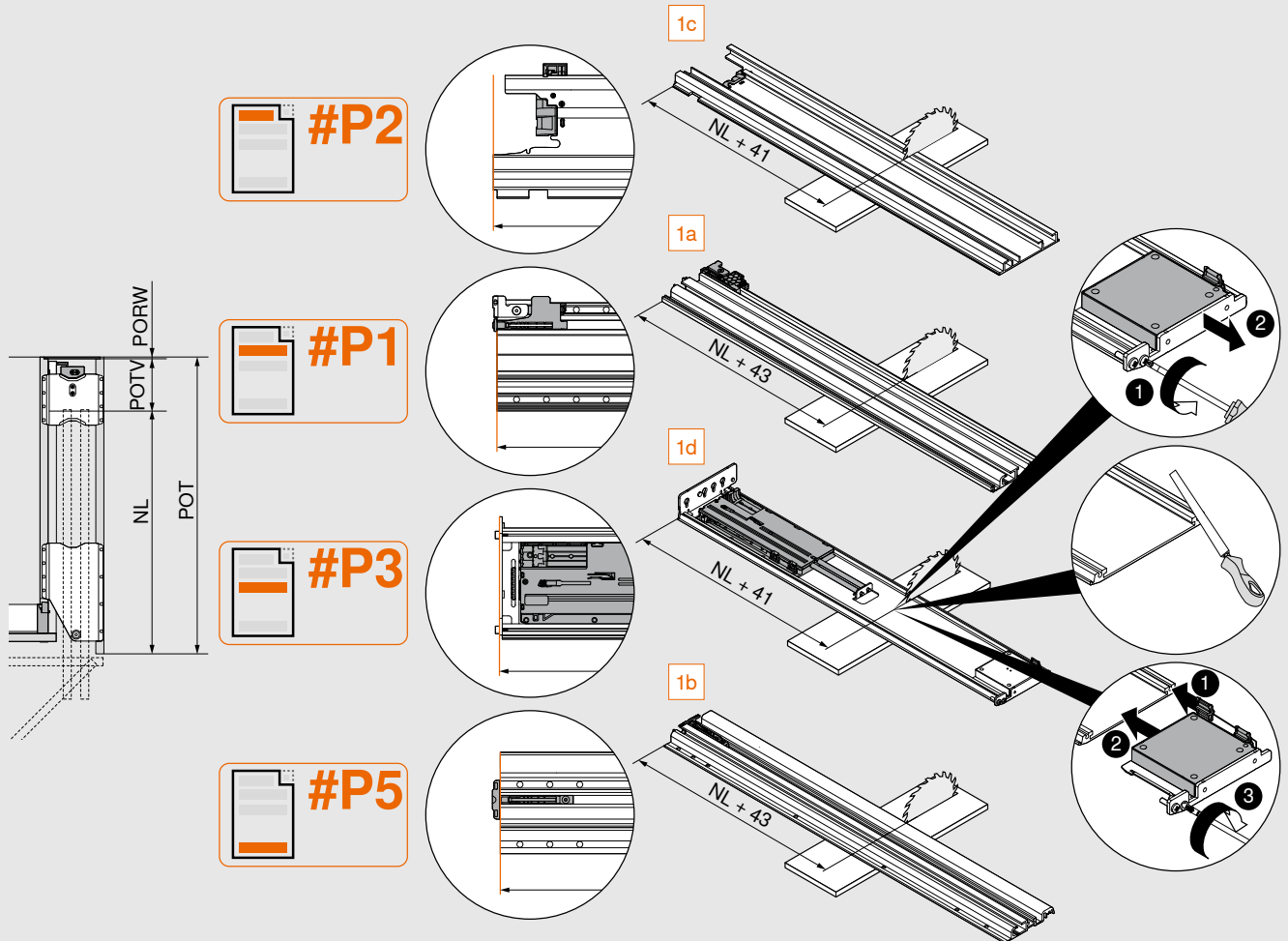


FH	Front height
L	Left
R	Right
POH	Pocket height
2i	Pocket cover strip
2j	Door cover strip

Calculations and assembly of the profiles

REVEGO duo | Double door

Roller profile, pocket profile, TIP-ON unit pocket



$$NL = POT - POTV - PORW$$

#P1	1a	Top pocket profile
#P2	1c	Roller profile
#P3	1d	TIP-ON unit pocket
#P5	1b	Bottom pocket profile

NL	Nominal length
POT	Pocket depth
PORW	Pocket back
POTV	Pocket depth loss

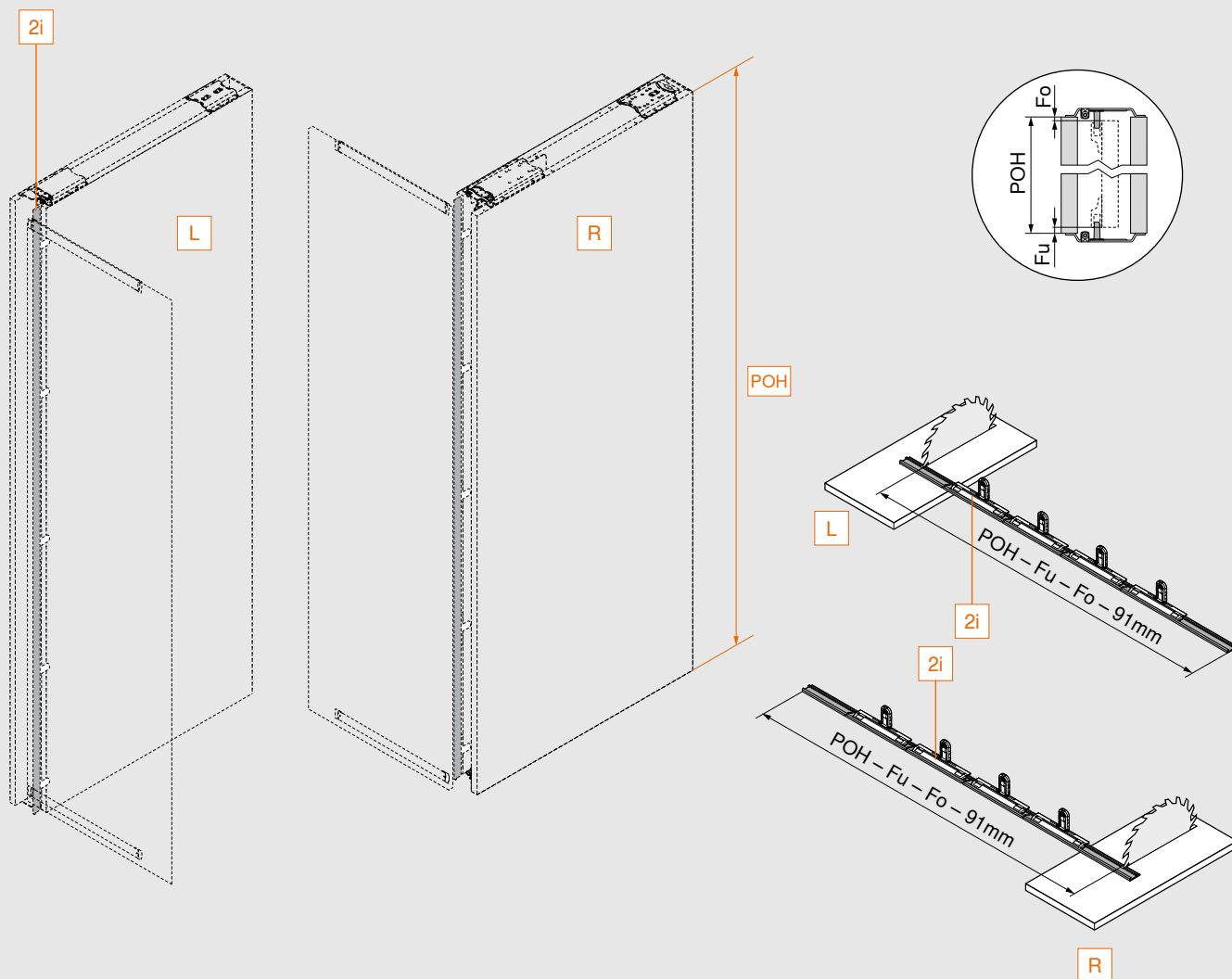
Note

- Pocket and roller profiles as well as TIP-ON unit pocket must not be damaged during cutting to size
- Pocket and roller profiles as well as TIP-ON unit pocket must be cleaned to remove any dirt and deburred before installation

Calculations and assembly of the profiles

REVEGO uno | Single door

Pocket cover strip

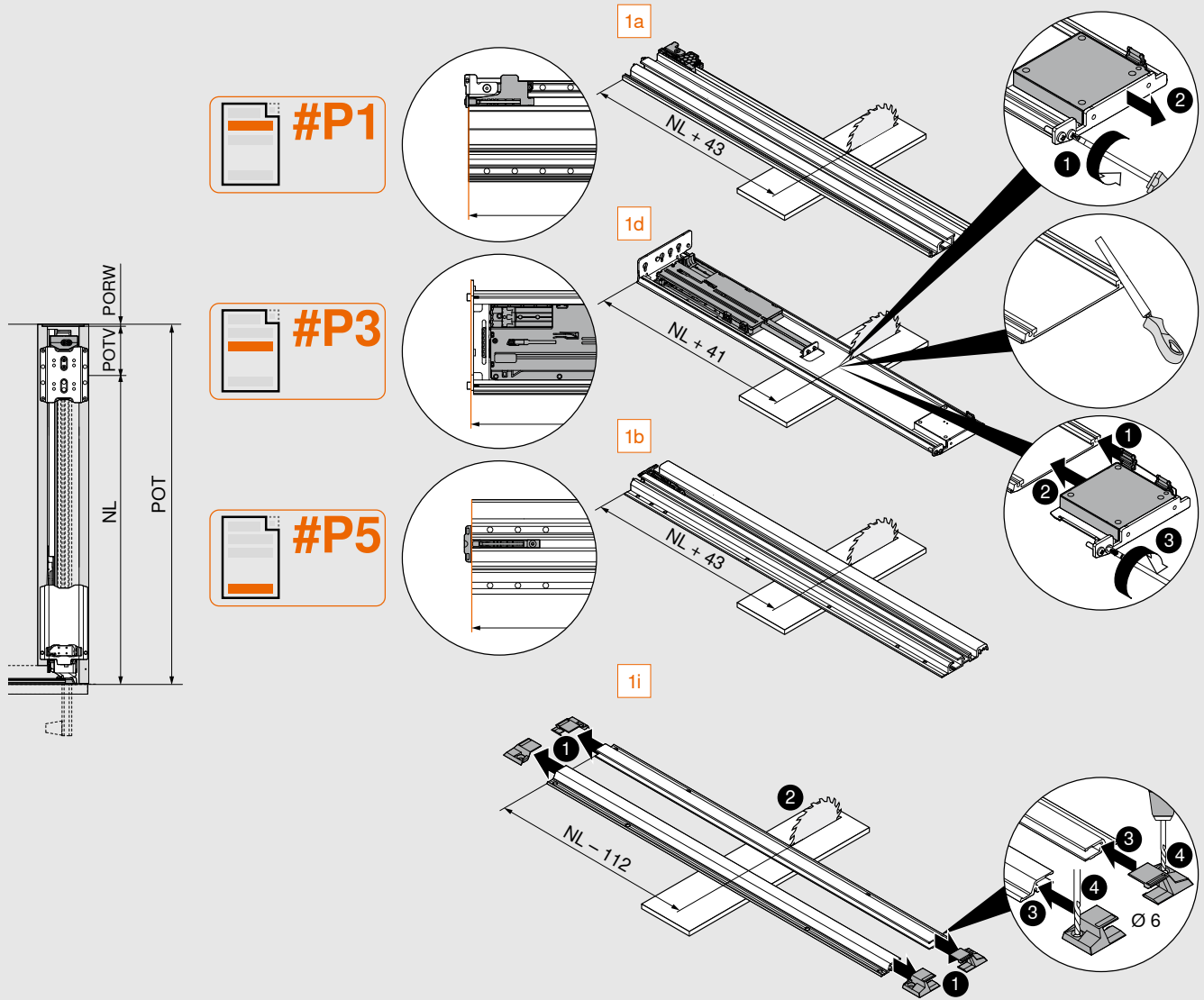


Fo	Top gap
Fu	Bottom gap
POH	Pocket height
L	Left
R	Right
2i	Pocket cover strip

Calculations and assembly of the profiles

REVEGO uno | Single door

Pocket profile, TIP-ON unit pocket, door stabiliser



$$NL = POT - POTV - PORW$$

#P1	1a	Top pocket profile
#P3	1d	TIP-ON unit pocket
#P5	1b	Bottom pocket profile
	1i	Door stabiliser

NL	Nominal length
POT	Pocket depth
PORW	Pocket back
POTV	Pocket depth loss

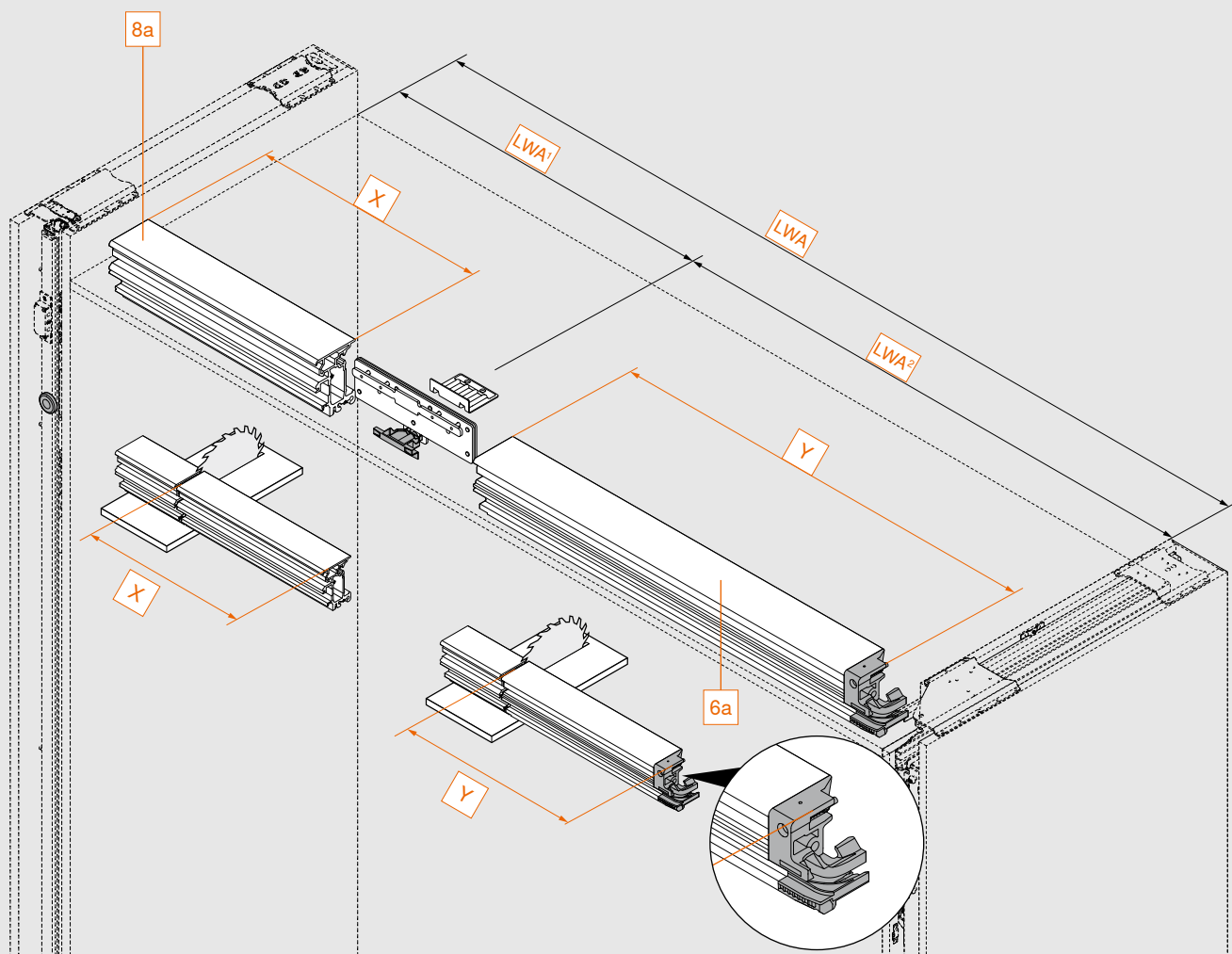
Note

- Pocket profiles, TIP-ON unit pocket and door stabiliser must not be damaged during cutting to size.
- Pocket profiles, TIP-ON unit pocket and door stabiliser must be cleaned to remove any dirt and deburred before installation.

Calculations and assembly of the profiles

REVEGO duo | Double door

Track, track extension



Application	X	Y
REVEGO duo	–	LWA - 12 mm
REVEGO uno + duo	LWA¹ - 58 mm	LWA² - 12 mm
REVEGO duo + duo	–	LWA² - 12 mm

LWA Internal width within the application

LWA¹ Internal width within the application, single door

LWA² Internal width within the application, double door

6a Track

8a Track extension

moving ideas

Regardless of the ideas you have, we have the products and services to help you make them a reality. REVEGO inspires new approaches to planning and furniture construction to create new sensations and a better quality of living. Our high-quality pocket systems make planning and assembly easier than ever before for manufacturers, while offering users completely new levels of convenience. Day after day.





Quality of living

We would like you to enjoy greater convenience and functionality when using furniture.



Product range

Everything from a single source: our wide range of products allows you to keep up with today's and tomorrow's trends.



Inspiration

We monitor global trends and strive to create the solutions of tomorrow. We like to share our insights with you.



Innovation

We stay in motion. Curiosity and pioneering spirit drive us to develop new products and services for you.



Services

We support your daily operations with customised services tailored to your processes.



Quality

We continuously strive to improve our products, services and ourselves.



Trust

We take responsibility for partnerships, our employees, society and the environment.

Julius Blum started our journey in 1952 with horseshoe studs. Today we supply innovative fittings to customers in over 120 countries.

Julius Blum GmbH
Furniture Fittings Mfg.
6973 Höchst, Austria
Tel.: +43 5578 705-0
Fax: +43 5578 705-44
E-mail: info@blum.com
www.blum.com

Our sites in Austria, Poland and China are certified to the international standards mentioned below.
Our site in the USA is certified to ISO 9001.
Our site in Brazil is certified to ISO 9001, ISO 14001 and ISO 45001.



ISO 9001
Certified Quality
System



ISO 14001
Certified Environmental
System



ISO 50001
Certified Energy
System

 **blum**®



Look for our
FSC™-certified
products

All content is copyrighted by Blum.
Subject to technical modifications and changes to the range without notice.
IDNR: 000.000.0 · EP-564/3 EN-AL/07.23