



Robust,
hard-wearing
deck support
you can
rely on



Viking Buzon strength and versatility

The DPH range

The strong and hard-wearing DPH pedestal is the longest serving member of the Buzon® pedestal family. With their adjustable height of 18 to 1070mm, adjustment ring and integrated slope corrector (up to 5%), they are the ideal deck support.

Complies with E2 / AS1
as an acceptable solution

Advantages of Buzon pedestals

- Allows for positive drainage
- Quick and easy installation
- High stability thanks to a large pedestal head
- Easy and precise slope correction up to 5% (3 degrees)
- Does not harm waterproofing membrane
- Easy access to waterproofing membrane
- Better thermal and sound insulation
- Recyclable material
- Supports loads up to 1000kg per pedestal
- Ability to conceal services such as electrical, plumbing etc

The DPH pedestal maintains its strength and stability even under heavy and frequent use. Thanks to its reinforced structure, it is particularly recommended for use with heavier floor finishes such as large-format concrete slabs.

1. Top of the Pedestal

The top of the pedestal is screwed directly onto the base, or onto the couplers. The top has a diameter of 155 mm and can be fitted with various components to support differing surfaces.

2. Couplers

Couplers are used when the height of the pedestal must exceed 175 mm. Locking keys on either side allow for mechanical bracing, providing enhanced stability.

3. Base

The base can be simply positioned or fixed to any substrate. It has 8 fixing holes for screws or bolts. The head, adjustment ring and base have a safety feature, to prevent the top or sleeve from unscrewing. Base diameter 200 mm, surface area 314 cm².

4. Slope Corrector (0-5%)

The slope corrector allows precise adjustment in increments of 0.5%.

5. Locking Keys

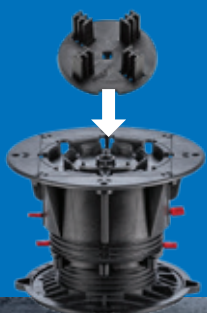
These keys lock the pedestal at the required height.

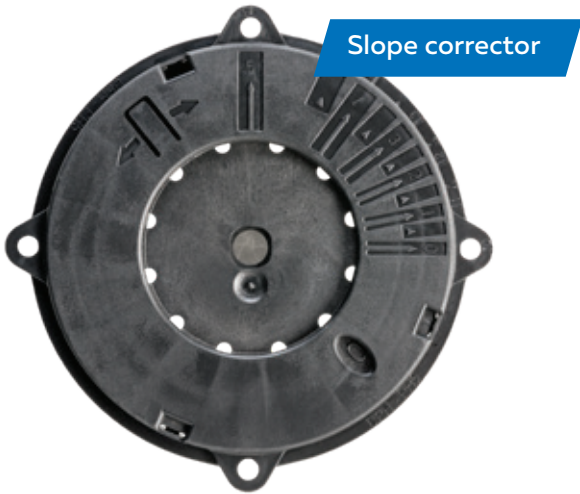


feature

The «Upside Down» System

If the application requires a larger support surface, for example near walls and vertical upstands. Buzon pedestals can also be used in the inverted position.

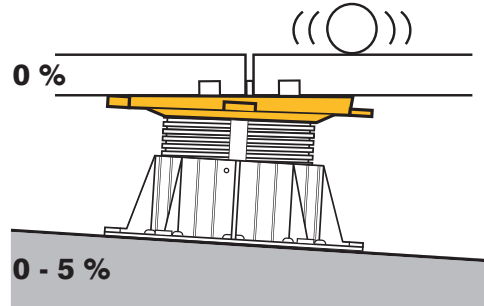




Slope corrector

Slope corrector

For the DPH range of pedestals, the slope corrector can compensate for a slope of 0 to 5% (3 degrees) with precise adjustment in increments of 0.5%.



DPH-SERIES

Adjustable pedestals with **integrated slope corrector**



DPH400

77-108 mm



DPH500

100-175 mm



DPH500+C20000

175-285 mm

NB: Taller pedestals are created by simply adding more couplers (C20000) maximum overall height = 1070mm

Pedestals (on top of which a slope corrector can be added if required)

+9 mm

With the PH5000 slope corrector, the additional height is 9 mm.



+



DPH000+PH5000

26 mm



+



DPH100+PH5000

37 mm



+



DPH150+PH5000

34-45 mm



+



DPH200+PH5000

44-62 mm



+



DPH300+PH5000

59-87 mm



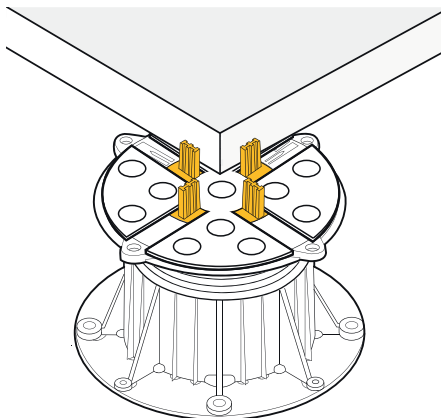
Spacer tabs

The spacer tabs provide proper alignment of the pavers, placed on top of the Buzon pedestal.



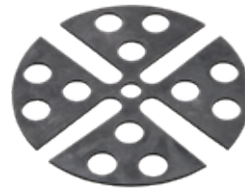
A17000

3mm thick,
17mm high



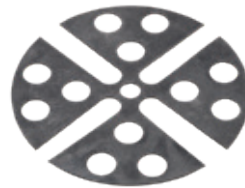
Shims

The shim is a 1 or 2mm thick rubber clover-shaped leveller. It stabilises the paver, provides additional acoustic comfort, and compensates for variations in paver thickness.



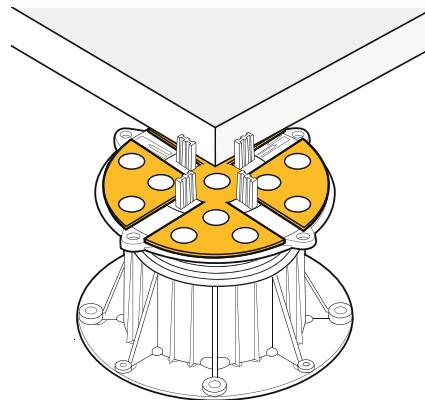
E10000

1mm



E20000

2mm



Coupler

The coupler C20000 is fitted by screwing between the base and the head of the pedestal to make the pedestal higher. Thanks to the coupler, pedestals can reach a height of 1070mm.



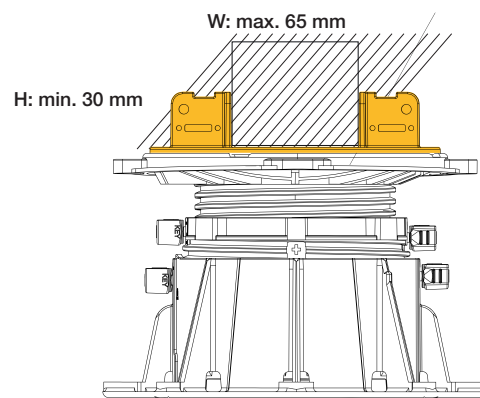
C20000

H: + 75 mm
to 116mm



Batten holder

The supports for joists are fixed in place using our plug-in system on the Buzon® pedestals in the DPH range. They firmly hold the joists supporting the deck boards.



Bottom-Mounted Slope Corrector

The BCPH500 bottom-mounted slope corrector is an adjustable unit to be placed under the base of the pedestal to add further slope. This is particularly helpful in situations when the substrate's gradient exceeds (5% = 3 degrees); the maximum slope 'correct-ability' of the top-mounted corrector.

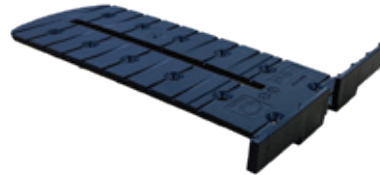


BCPH500



Perimeter Spacer

The perimeter spacer creates a uniform 5mm gap between the perimeter tile and the wall. The spacer is adjustable and can also be screwed to the top of the pedestal to keep the paver in position.



UWALL1



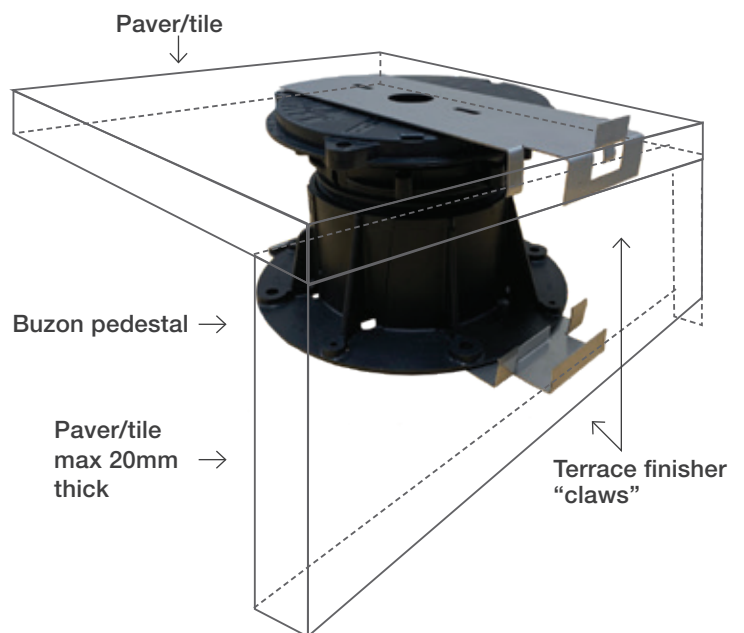
Terrace Finisher

The DPHEND finishing kit closes-off the visual open-end of a deck installation, by providing a receptacle for pieces of tile or cladding material that are vertically held in place by the kit's 'claws'. This kit is particularly helpful for:

- i. finishing the ends of decks with see-through (usually glass) balustrading which would normally have allowed the underside of the floating deck to be seen and
- ii. creating stair risers for stairs supported by pedestals



DPHEND





**Contact us here
to meet your needs**

Phone 0800 729 799

Fax 0800 729 788

info@vikingroofspec.co.nz

www.vikingroofspec.co.nz

Auckland office

80 Alexander Crescent, Otara
PO Box 14-541, Panmure
Auckland 1741, New Zealand

Christchurch office

2 Nazareth Avenue, Middleton
PO Box 9117, Tower Junction
Christchurch 8149, New Zealand