

Sheet List

Sheet Number	Sheet Name
VIK_WS2_TOR_000_INDEX001	Viking Roofspec Details Schedule
VIK_WS2_TOR_000_NOTES001	Best practice design in Membrane Roofing
VIK_WS2_TOR_000_NOTES002	Revit Notes
VIK_WS2_TOR_001_PENEOUTL	Penetration_Outlet and Overflow
VIK_WS2_TOR_002_PENEBALC	Penetration_Balcony Drain 80mm
VIK_WS2_TOR_004_PENEPLIN	Penetration_Plinth direction to divert watershed
VIK_WS2_TOR_004A_PENECECRIK	Penetration_Cricket Diverter for watershed
VIK_WS2_TOR_005_VERTPIPE	Penetration_Vertical pipe
VIK_WS2_TOR_005A_HORIPipe	Penetration_Horizontal pipe
VIK_WS2_TOR_006_VERTDUCT	Penetration_Vertical ducting pipe
VIK_WS2_TOR_006A_HORIDUCT	Penetration_Horizontal ducting pipe
VIK_WS2_TOR_007_PENEFLUE	Penetration_Flue or Oversize Pipe
VIK_WS2_TOR_008_SKYLACCH	Penetration_Skylight or Roof Access hatch
VIK_WS2_TOR_009_POSTDECK	Penetration_Square Post through decking
VIK_WS2_TOR_011_PENEPOST	Penetration_Post or Rail for Plant Room equipment
VIK_WS2_TOR_012_PENEPLIN	Penetration_Plinth base for Balustrade
VIK_WS2_TOR_013_PENEPLIN	Penetration_Plinth for concrete or timber
VIK_WS2_TOR_014_PENEACOU	Penetration_Acoustic Mounting Block
VIK_WS2_TOR_030_VERGBARG	Verge_Barge
VIK_WS2_TOR_031_VERGBARG	Verge_Barge with Low Profile AFS
VIK_WS2_TOR_031A_VERGBARG	Verge_Barge with Low Profile AFS in ISOMETRIC
VIK_WS2_TOR_032_VERGDRIp	Verge_Drip edge to External Spouting
VIK_WS2_TOR_033_VERGEDGE	Verge_edge with wall continuing, Diverter for cladding
VIK_WS2_TOR_033A_VERGEDGE	Verge_edge with wall returning, Diverter for cladding
VIK_WS2_TOR_040_PARACAP	Parapet_with Cap concrete wall
VIK_WS2_TOR_040A_PARAWALL	Parapet_Timber wall ISO
VIK_WS2_TOR_041_PARASCUP	Parapet_with scupper outlet
VIK_WS2_TOR_042_PARAOVER	Parapet_with overflow
VIK_WS2_TOR_050_GUTTOUTL	Internal Gutter_with outlet
VIK_WS2_TOR_051_GUTTWALL	Internal Gutter_to Wall
VIK_WS2_TOR_052_GUTTWALL	Internal Gutter_with outlet / overflow
VIK_WS2_TOR_060_INTSECRN	Intersection_External corner
VIK_WS2_TOR_061_INTSICNR	Intersection_Internal corner
VIK_WS2_TOR_062_INTSSUBS	Intersection_Substrate Expansion
VIK_WS2_TOR_062A_INTSSUBS	Intersection_Substrate Expansion to Concrete
VIK_WS2_TOR_063_INTSSEIS	Intersection_Seismic Gap Generic
VIK_WS2_TOR_064_INTSRIDG	Intersection_Ridge / Hip

Sheet List

Sheet Number	Sheet Name
VIK_WS2_TOR_065_INTSVALL	Intersection_Valley
VIK_WS2_TOR_066_INTSSHEL	Intersection_Sheet Lap
VIK_WS2_TOR_067_INTSSHTT	Intersection_Sheet T-Joint
VIK_WS2_TOR_070_RJUNUPST	Roof Junction_Upstand to Pitched Roofing
VIK_WS2_TOR_072_RJUNGUTI	Roof Junction_Metal Roof to Internal Gutter
VIK_WS2_TOR_073_RJUNMANV	Roof Junction_Mansard Verge
VIK_WS2_TOR_074_RJUNDORM	Roof Junction_Dormer ISO
VIK_WS2_TOR_074A_RJUNDORM	Roof Junction_Dormer Gutter
VIK_WS2_TOR_080_APRNUPST	Apron_Upstand behind cladding
VIK_WS2_TOR_080A_APRNURAB	Apron_Upstand to RAB behind cladding
VIK_WS2_TOR_081_APRNUTER	Apron_Upstand terminations without cladding
VIK_WS2_TOR_091_WINDTHRS	Threshold_Window

DRAWING TITLE

Viking WS2 - Torch-On
Viking Roofspec Details Schedule

NOTES:

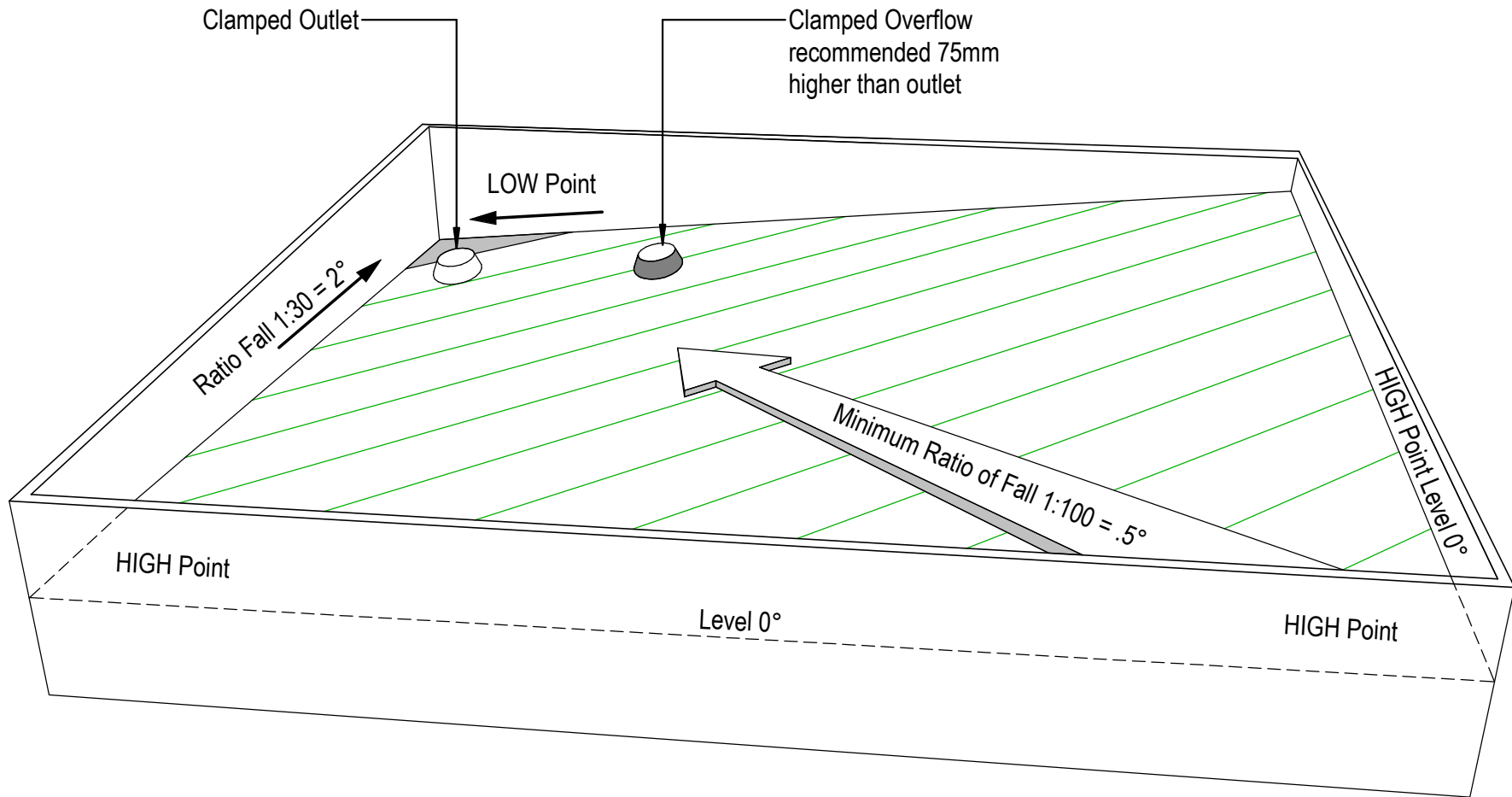
*Viking Waterproof Membrane as notated can be Viking Gemini, Lybra, Phoenix Super or Halley P.
*All details to be read in conjunction with Viking Specifications.

Substrate and structure are indicative only

DRAWING STATUS

INFORMATION ONLY

Scale: Not to Scale	Date: 01/10/2022	Drawn: Viking	
Detail Ref: VIK_WS2_TOR_000_INDEX001			



NOTE: For low risk design, Roofspec would recommend drainage to external spouting. When the roof is designed with enclosed parapets, consider using this methodology, to eliminate the requirement for internal gutters.

	DRAWING TITLE	NOTES: *Viking Waterproof Membrane as notated can be Viking Gemini, Lybra, Phoenix Super or Halley P. *All details to be read in conjunction with Viking Specifications.	DRAWING STATUS		
	Viking WS2 - Torch-On Best practice design in Membrane Roofing		INFORMATION ONLY		
			Substrate and structure are indicative only	Scale:	Date:
			Not to Scale	01/10/2022	Viking
			Detail Ref: VIK_WS2_TOR_000_NOTES001		

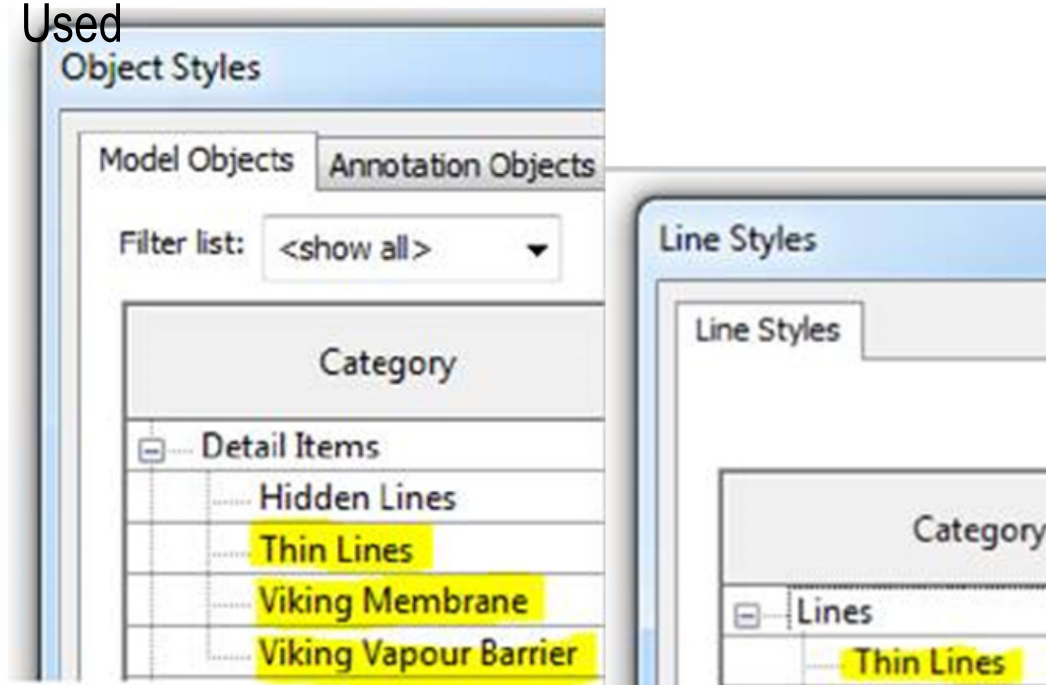
Viking Details - Revit Notes

All Viking Revit Families:

1. Are made natively within Revit (no CAD imports).
2. Have instance-based lengths (where relevant) allowing for easy push/pull length changes.
3. Have pre-populated type parameter "descriptions" allowing for automatic notation by multi-category tagging .
4. Have minimal object style/ linstyles so your project doesn't get cluttered (the Viking components are coloured within this project by the use of view filters)

Revit Object and Line Styles

Used



DRAWING TITLE

Viking WS2 - Torch-On
Revit Notes

NOTES:

*Viking Waterproof Membrane as notated can be Viking Gemini, Lybra, Phoenix Super or Halley P.
*All details to be read in conjunction with Viking Specifications.

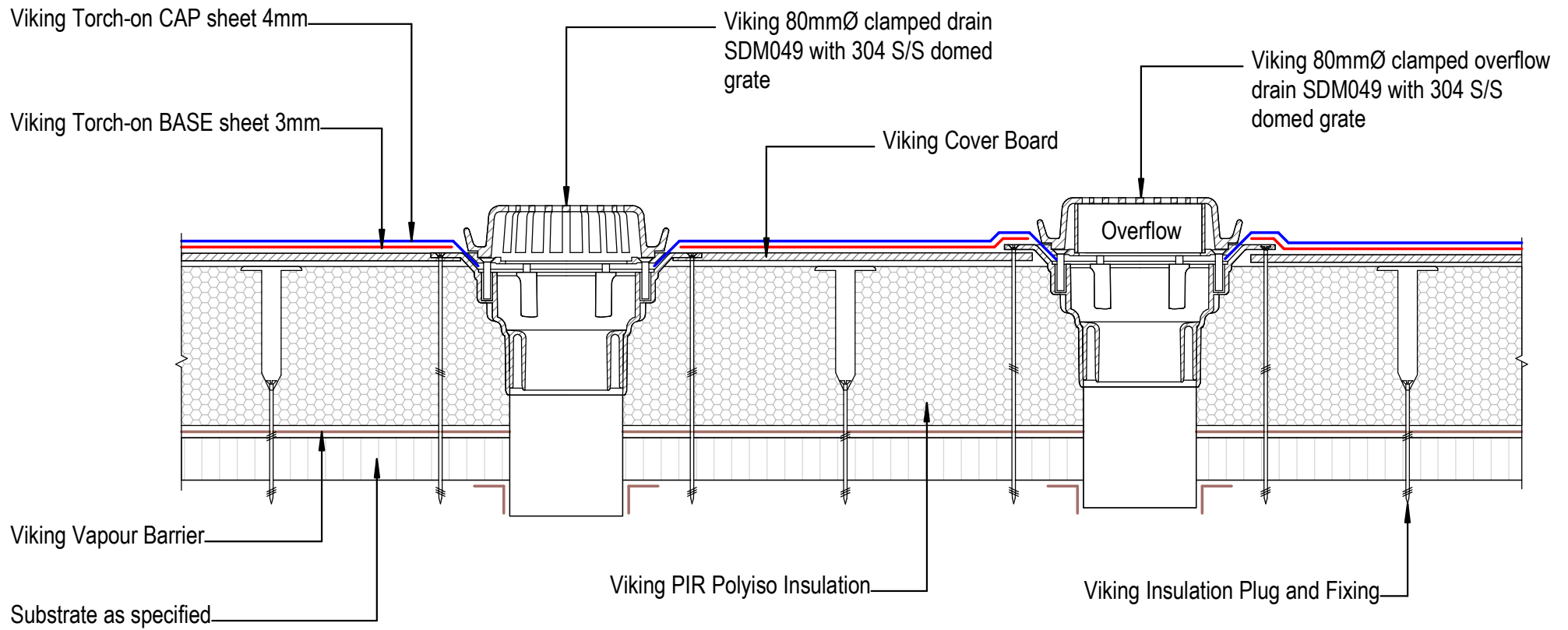
Substrate and structure are indicative only

DRAWING STATUS

INFORMATION ONLY

Scale: Not to Scale	Date: 01/10/2022	Drawn: Viking
------------------------	---------------------	------------------

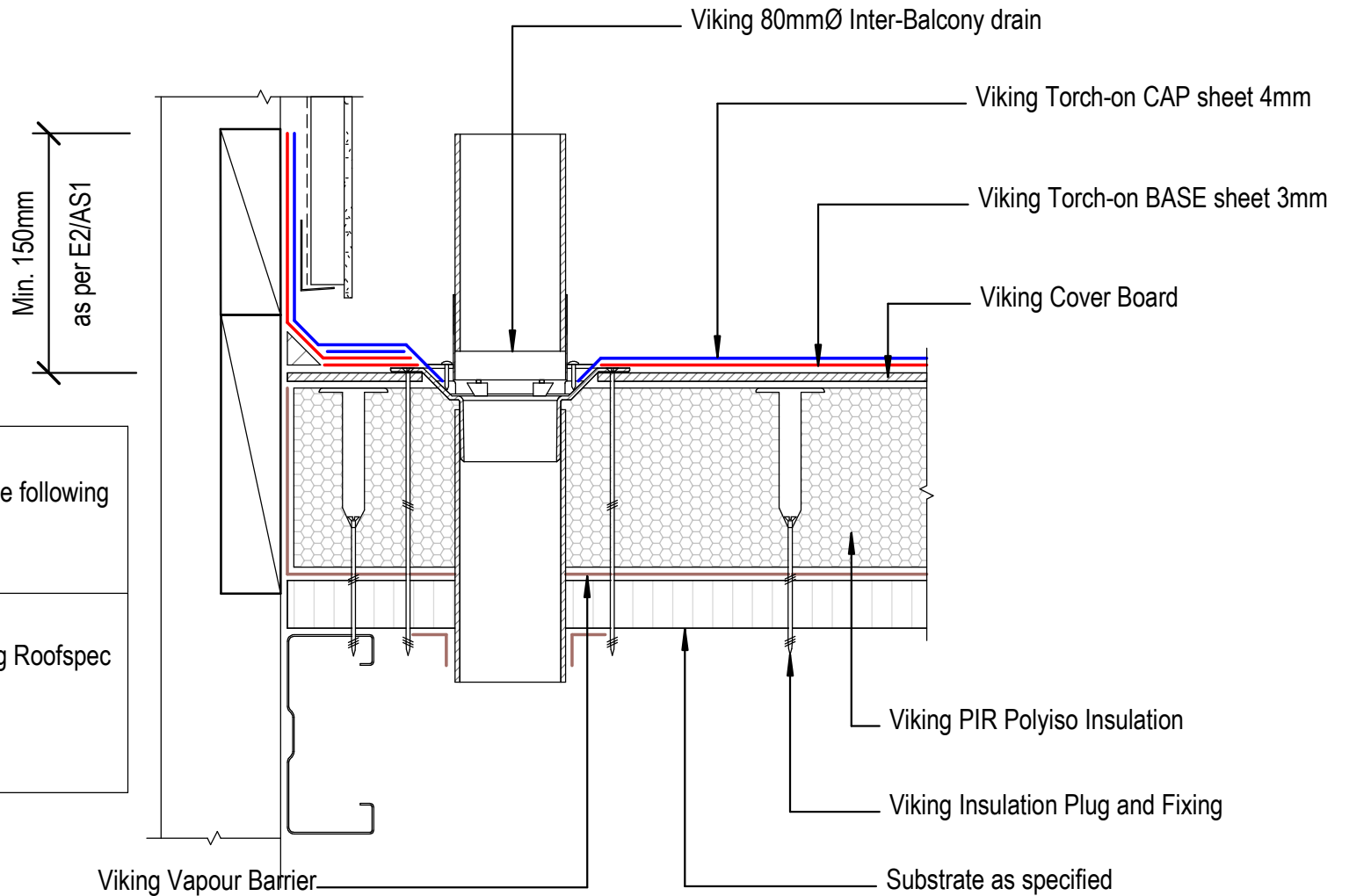
Detail Ref: **VIK_WS2_TOR_000_NOTES002**



NOTE:
 Substrate to comply with current Viking Roofspec Masterspec specification
 Substrate Checksheet available from www.vikingroofspec.co.nz

NOTE:
 1/ Overflow to match outlet capacity.
 2/ Overflow to be plumbed independent of stormwater, through soffit or exterior wall

	DRAWING TITLE	NOTES: *Viking Waterproof Membrane as notated can be Viking Gemini, Lybra, Phoenix Super or Halley P. *All details to be read in conjunction with Viking Specifications.	DRAWING STATUS		
	Viking WS2 - Torch-On Penetration_Outlet and Overflow		INFORMATION ONLY		
	Substrate and structure are indicative only		Scale:	Date:	Drawn:
			Not to Scale	01/10/2022	
			Detail Ref: VIK_WS2_TOR_001_PENEOUTL		



NOTE:
Inter-Balcony drains are available in the following outlet diameter sizes:
65mm / 80mm / 100mm / 150mm

NOTE:
Substrate to comply with current Viking Roofspec Masterspec specification
Substrate Checksheet available from www.vikingroofspec.co.nz

DRAWING TITLE

Viking WS2 - Torch-On
Penetration_Balcony Drain 80mm

NOTES:

- * Angle fillets are not required at upstands for Enviroclad
- * All fixings, cladding and structure are indicative only unless noted
- * All details to be read in conjunction with Viking Specifications

Substrate and structure are indicative only

DRAWING STATUS

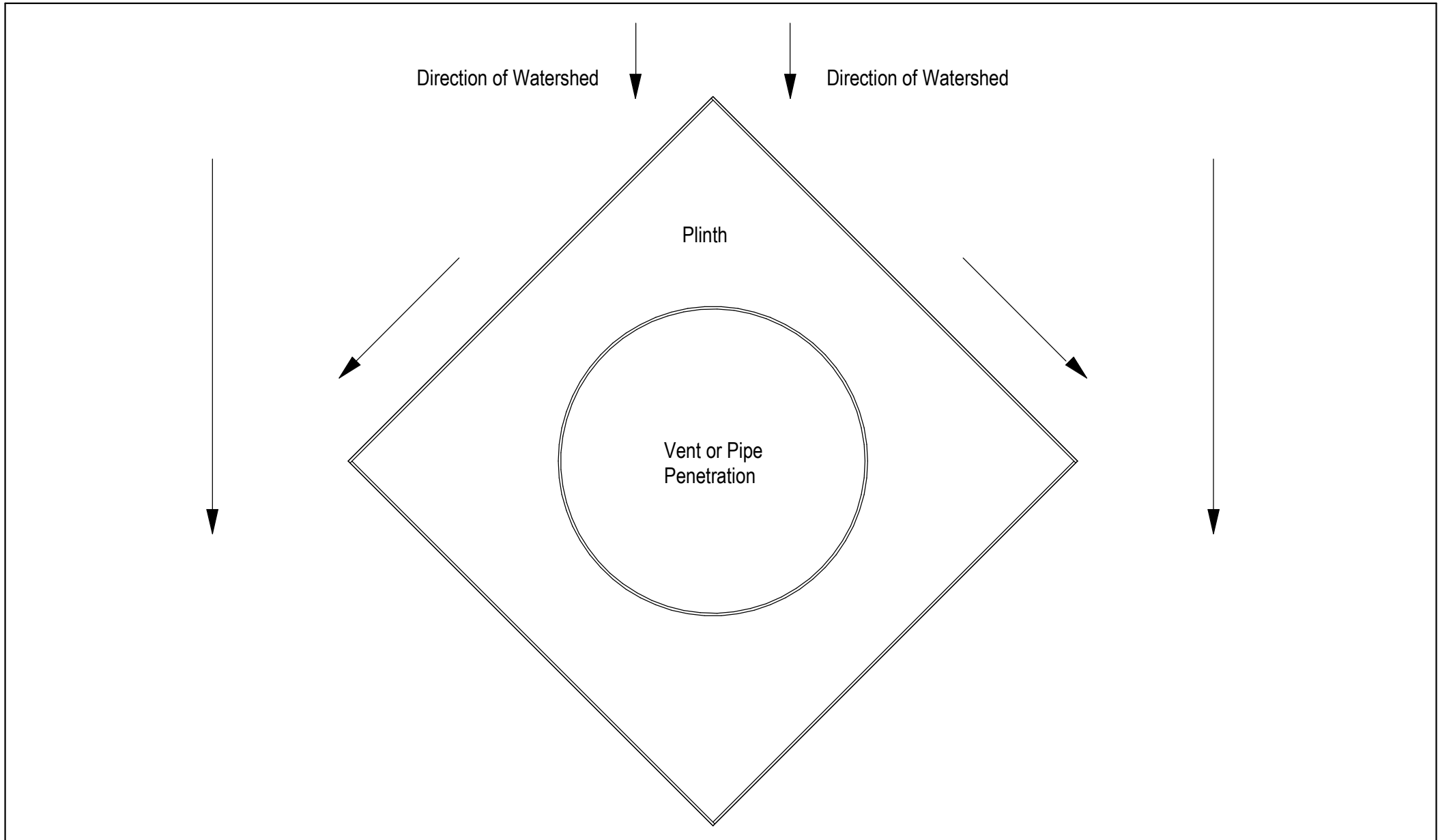
INFORMATION ONLY

Scale:
Not to Scale

Date:
01/10/2022

Drawn: Viking

Detail Ref: **VIK_WS2_TOR_002_PENEBALC**



DRAWING TITLE

Viking WS2 - Torch-On
Penetration_Plinth direction to divert watershed

NOTES:

*Viking Waterproof Membrane as notated can be Viking Gemini, Lybra, Phoenix Super or Halley P.
*All details to be read in conjunction with Viking Specifications.

Substrate and structure are indicative only

DRAWING STATUS

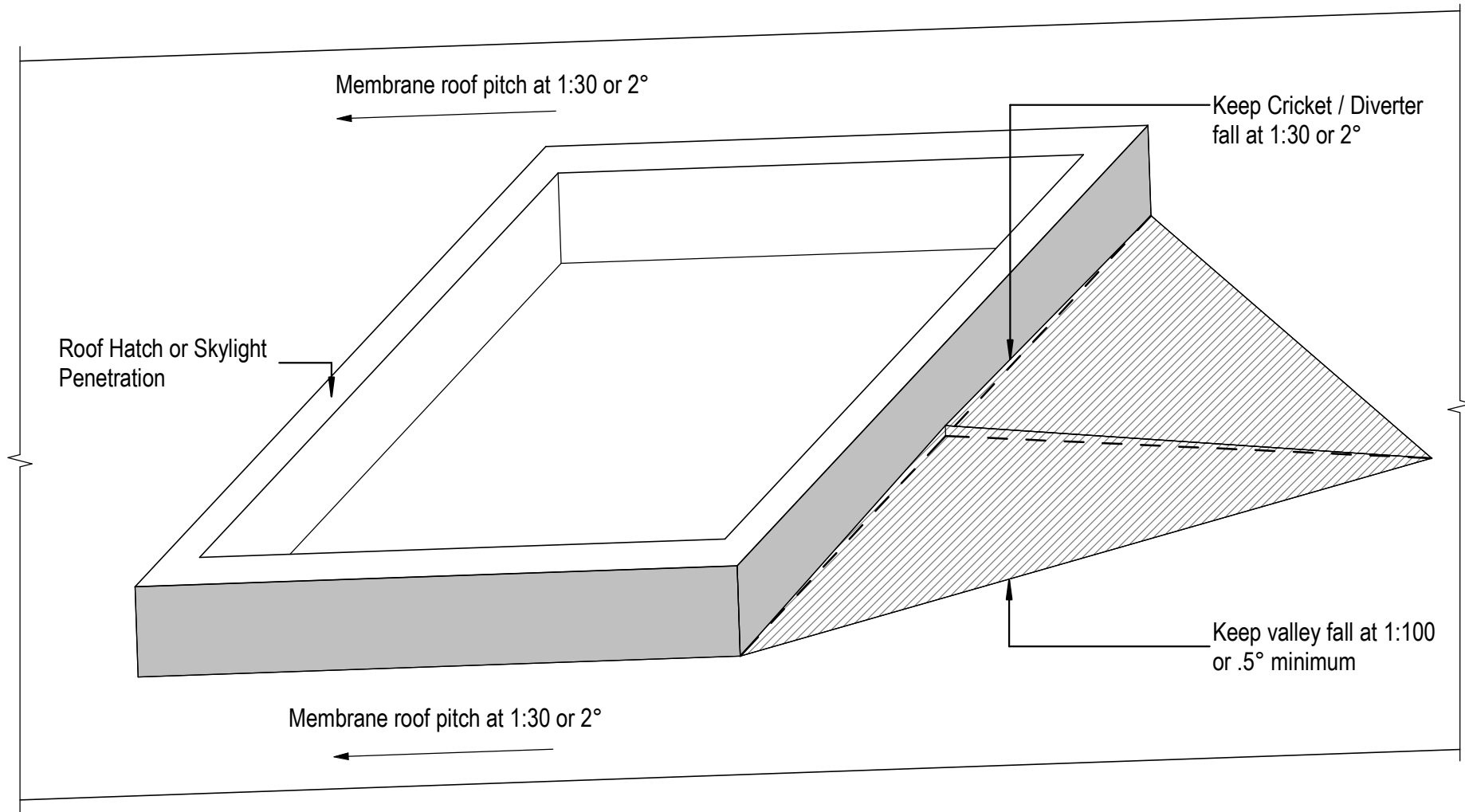
INFORMATION ONLY

Scale:
Not to Scale

Date:
01/10/2022

Drawn: Viking

Detail Ref: **VIK_WS2_TOR_004_PENEPLIN**



DRAWING TITLE

Viking WS2 - Torch-On
Penetration_Cricket Diverter for watershed

NOTES:

*Viking Waterproof Membrane as notated can be Viking Gemini, Lybra, Phoenix Super or Halley P.
*All details to be read in conjunction with Viking Specifications.

Substrate and structure are indicative only

DRAWING STATUS

INFORMATION ONLY

Scale:
Not to Scale

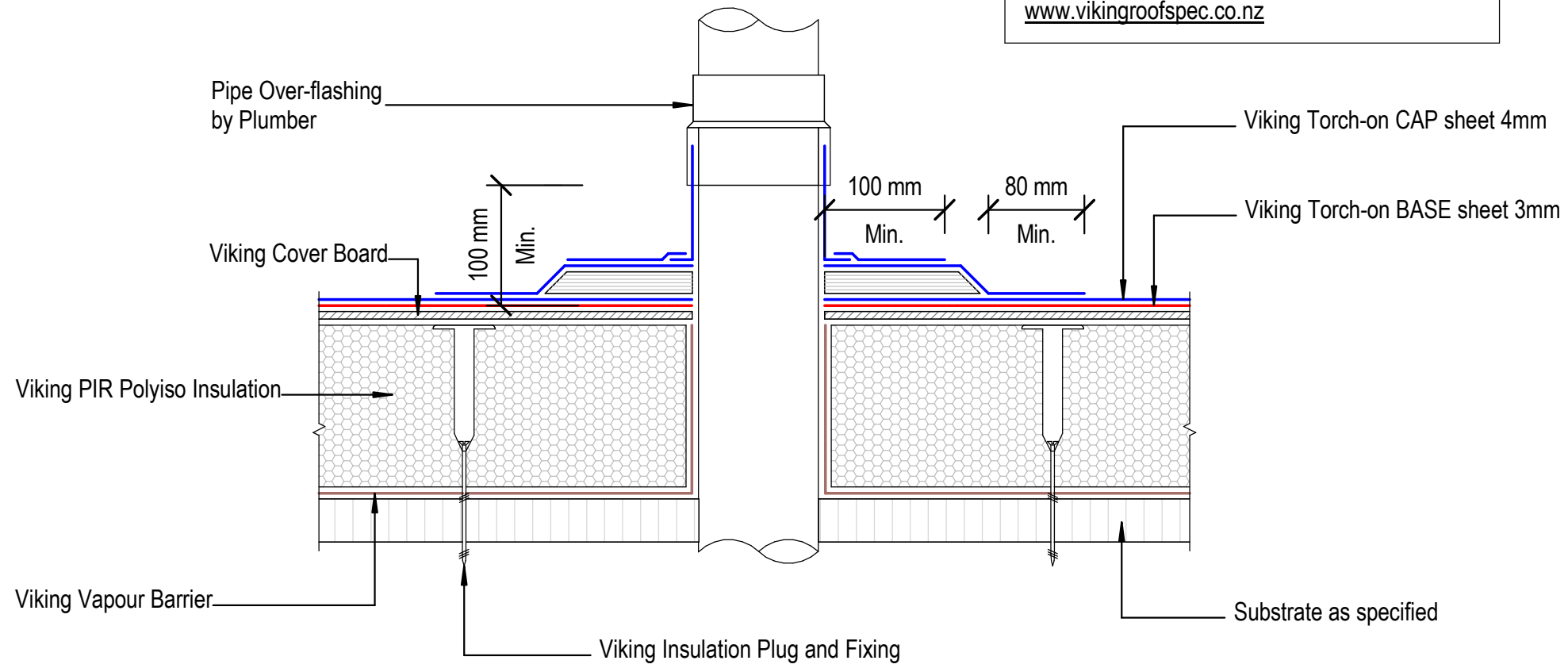
Date:
01/10/2022

Drawn:

Viking

Detail Ref: **VIK_WS2_TOR_004A_PENECRIK**

NOTE:
 Substrate to comply with current Viking Roofspec
 Masterspec specification
 Substrate Checksheet available from
www.vikingroofspec.co.nz



DRAWING TITLE

Viking WS2 - Torch-On
 Penetration_Vertical pipe

NOTES:

*Viking Waterproof Membrane as notated can be
 Viking Gemini, Lybra, Phoenix Super or Halley P.
 *All details to be read in conjunction with
 Viking Specifications.

Substrate and structure are
 indicative only

DRAWING STATUS

INFORMATION ONLY

Scale: Not to Scale	Date: 01/10/2022	Drawn: Viking
Detail Ref: VIK_WS2_TOR_005_VERTPIPE		

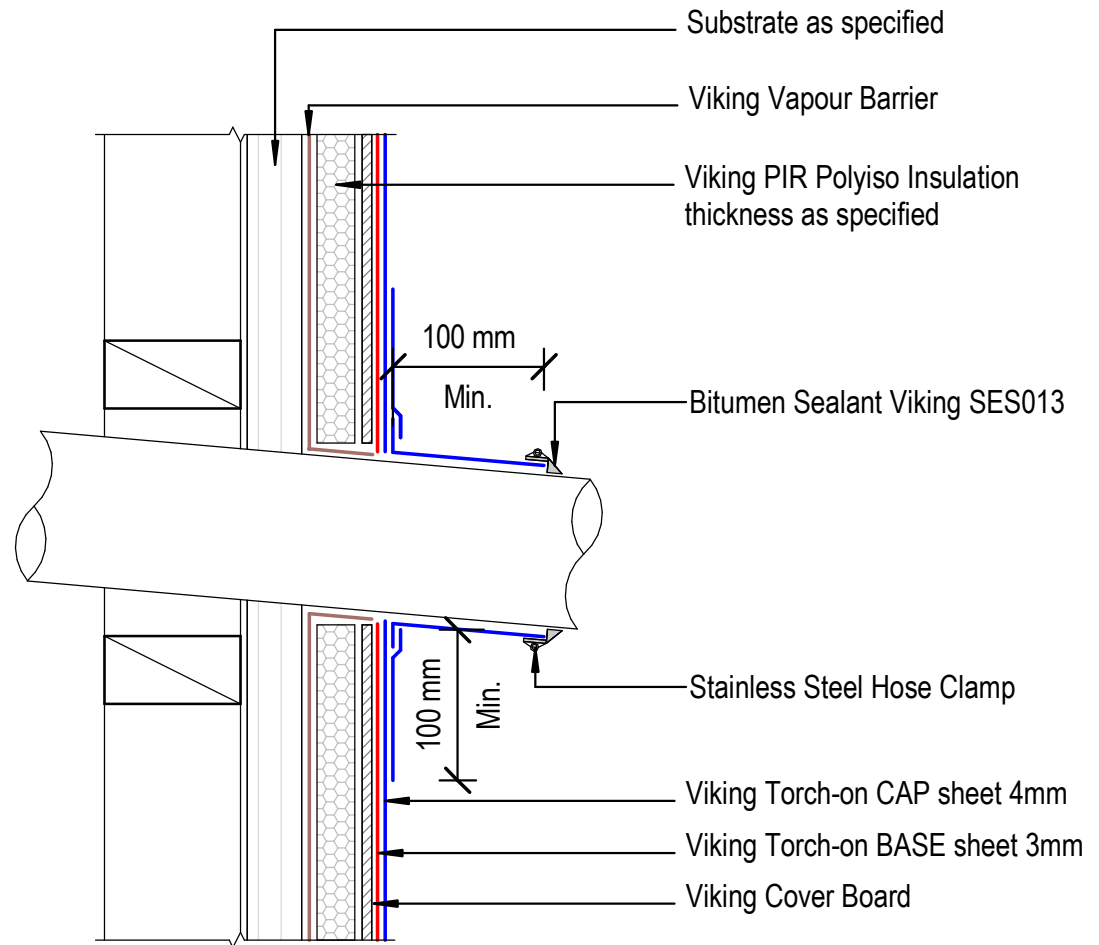


NOTE:

Substrate to comply with current Viking Roofspec Masterspec specification
 Substrate Checksheet available from www.vikingroofspec.co.nz

NOTE:

A 5° fall is recommended for pipe penetrations



DRAWING TITLE

Viking WS2 - Torch-On
 Penetration_Horizontal pipe

NOTES:

*Viking Waterproof Membrane as notated can be Viking Gemini, Lybra, Phoenix Super or Halley P.
 *All details to be read in conjunction with Viking Specifications.

Substrate and structure are indicative only

DRAWING STATUS

INFORMATION ONLY

Scale:
 Not to Scale

Date:
 01/10/2022

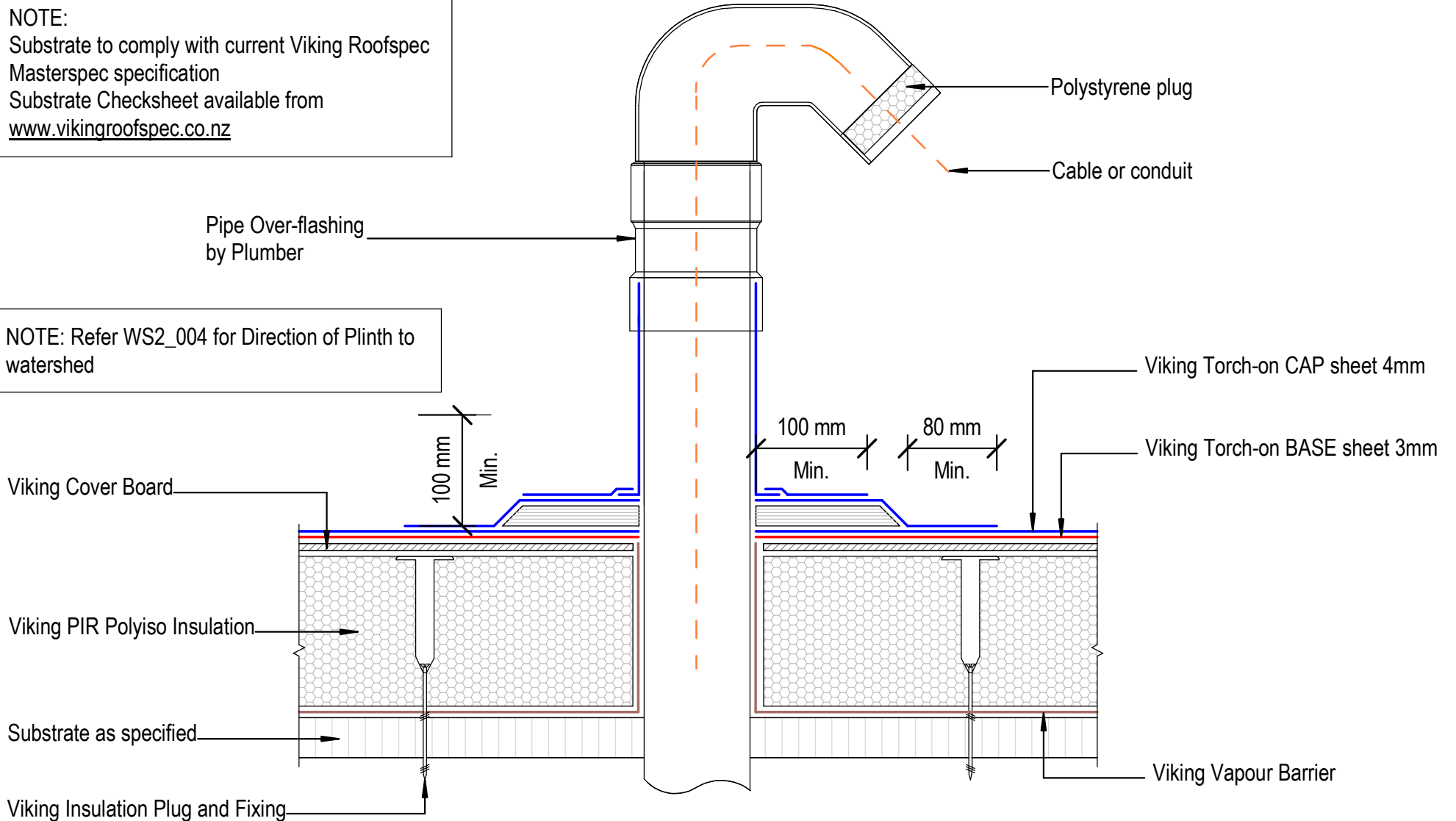
Drawn:

Viking

Detail Ref: **VIK_WS2_TOR_005A_HORPIPE**

NOTE:
 Substrate to comply with current Viking Roofspec
 Masterspec specification
 Substrate Checksheet available from
www.vikingroofspec.co.nz

NOTE: Refer WS2_004 for Direction of Plinth to
 watershed



DRAWING TITLE

Viking WS2 - Torch-On
 Penetration_Vertical ducting pipe

NOTES:

*Viking Waterproof Membrane as notated can be
 Viking Gemini, Lybra, Phoenix Super or Halley P.
 *All details to be read in conjunction with
 Viking Specifications.

Substrate and structure are
 indicative only

DRAWING STATUS

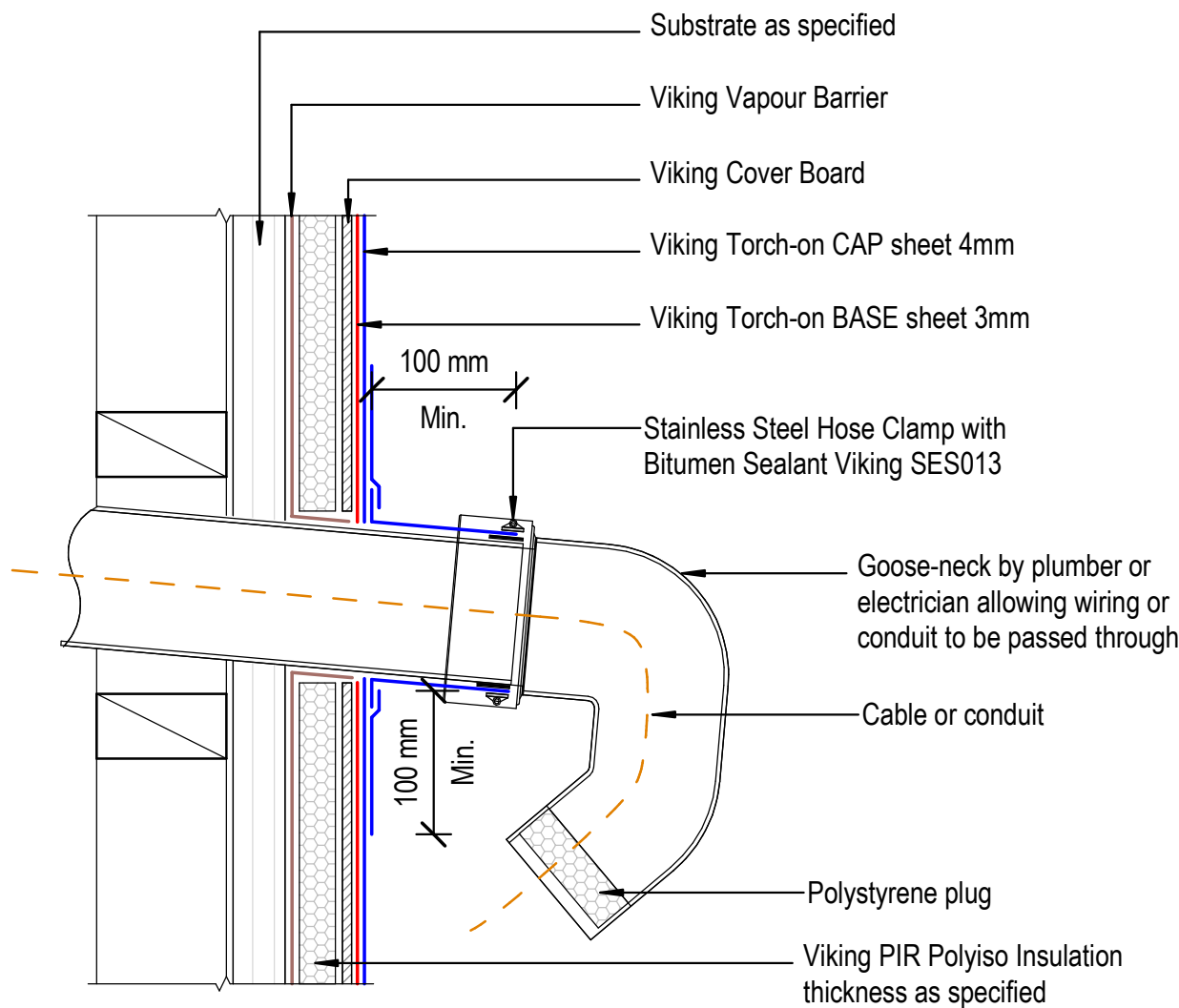
INFORMATION ONLY

Scale: Not to Scale	Date: 01/10/2022	Drawn: Viking
------------------------	---------------------	------------------

Detail Ref: **VIK_WS2_TOR_006_VERTDUCT**

NOTE:
 Substrate to comply with current Viking Roofspec
 Masterspec specification
 Substrate Checksheet available from
www.vikingroofspec.co.nz

NOTE:
 A 5° fall is recommended for pipe penetrations



DRAWING TITLE
Viking WS2 - Torch-On Penetration_Horizontal ducting pipe

NOTES:
*Viking Waterproof Membrane as notated can be Viking Gemini, Lybra, Phoenix Super or Halley P. *All details to be read in conjunction with Viking Specifications.

Substrate and structure are indicative only

DRAWING STATUS			
INFORMATION ONLY			
Scale: Not to Scale	Date: 01/10/2022	Drawn:	Viking
Detail Ref: VIK_WS2_TOR_006A_HORIDUCT			

Dektite Aluminium Over Flashing
suitable for 115° Ref Dektite for
specific flashing

Viking Torch-on CAP sheet 4mm

Viking Torch-on BASE sheet 3mm

Viking Cover Board

Viking PIR Polyiso Insulation

NOTE:
Substrate to comply with current
Viking Roofspec Masterspec
specification
Substrate Checksheet available
from www.vikingroofspec.co.nz

Viking Vapour Barrier

NOTE:
Torch-on Membranes can be
installed to flue outer-liners
reaching maximum 100°C

Flue and cover
flashing

80 mm
Min.

150 mm
upstand Min.

50
mm

Viking Insulation Plug and Fixing

Substrate as specified

DRAWING TITLE

Viking WS2 - Torch-On
Penetration_Flue or Oversize Pipe

NOTES:

*Viking Waterproof Membrane as notated can be
Viking Gemini, Lybra, Phoenix Super or Halley P.
*All details to be read in conjunction with
Viking Specifications.

Substrate and structure are
indicative only

DRAWING STATUS

INFORMATION ONLY

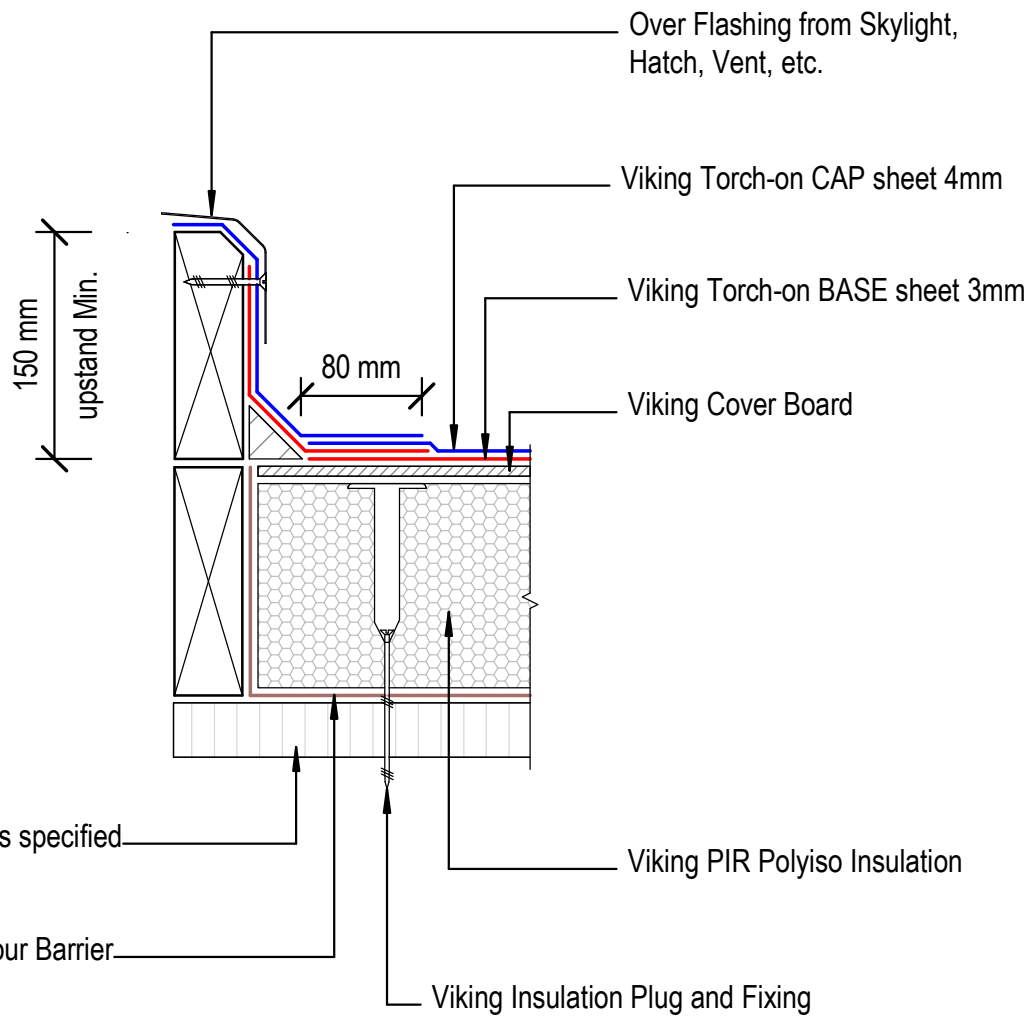
Scale:
Not to Scale

Date:
01/10/2022

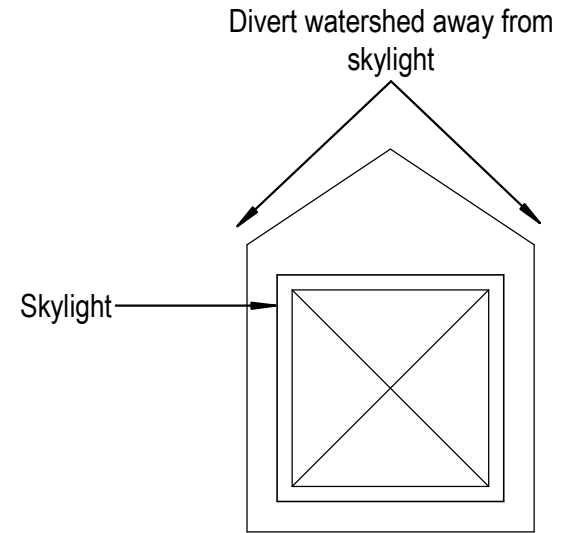
Drawn: Viking

Detail Ref: **VIK_WS2_TOR_007_PENEFLUE**





NOTE:
Refer WS2_004A



NOTE:
Substrate to comply with current Viking Roofspec Masterspec specification
Substrate Checksheet available from www.vikingroofspec.co.nz

DRAWING TITLE

Viking WS2 - Torch-On
Penetration_Skylight or Roof Access hatch

NOTES:

*Viking Waterproof Membrane as notated can be Viking Gemini, Lybra, Phoenix Super or Halley P.
*All details to be read in conjunction with Viking Specifications.

Substrate and structure are indicative only

DRAWING STATUS

INFORMATION ONLY

Scale:
Not to Scale

Date:
01/10/2022

Drawn:

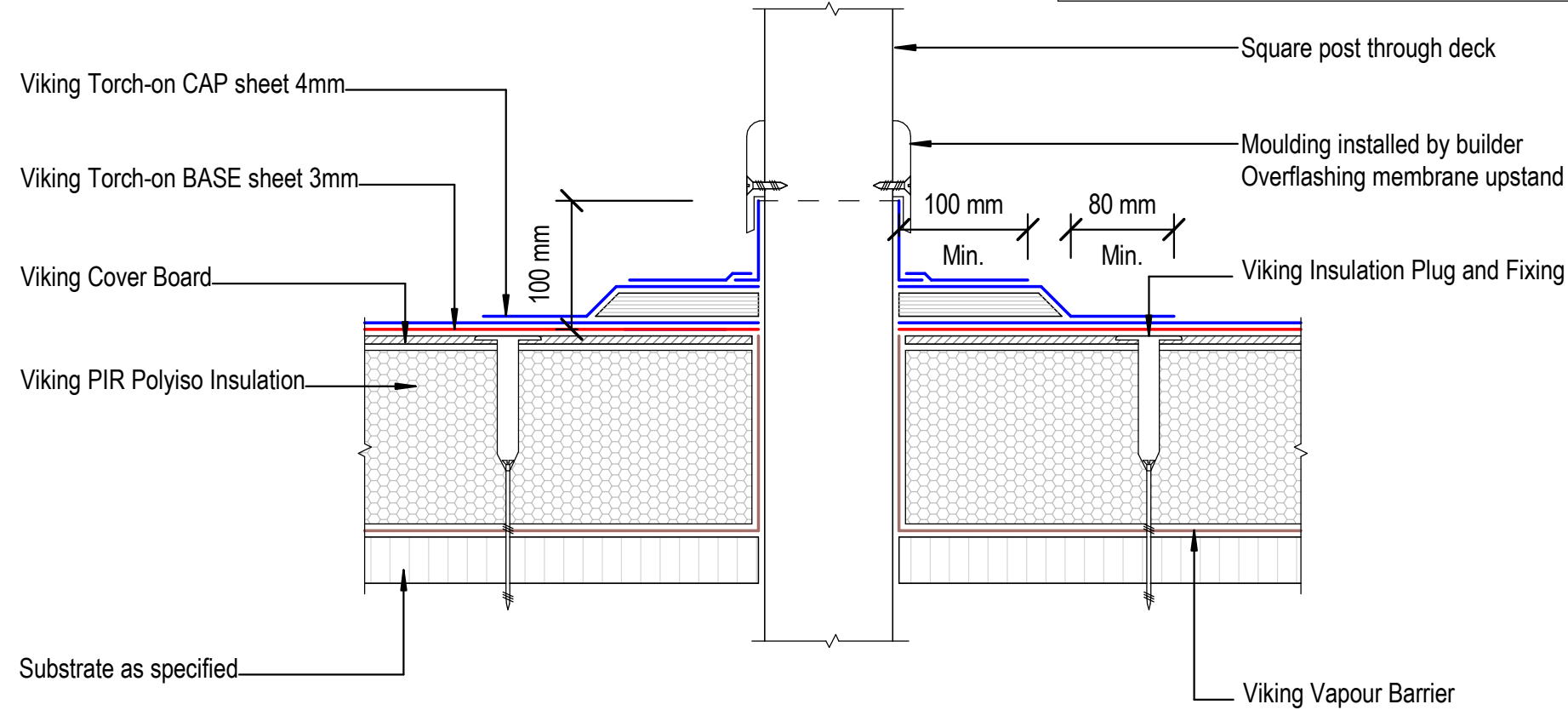
Viking

Detail Ref:

VIK_WS2_TOR_008_SKYLACCH

NOTE: Refer WS2_004 for Direction of Plinth to watershed

NOTE:
 Substrate to comply with current Viking Roofspec Masterspec specification
 Substrate Checksheet available from www.vikingroofspec.co.nz



DRAWING TITLE

Viking WS2 - Torch-On
 Penetration_Square Post through decking

NOTES:

*Viking Waterproof Membrane as notated can be Viking Gemini, Lybra, Phoenix Super or Halley P.
 *All details to be read in conjunction with Viking Specifications.

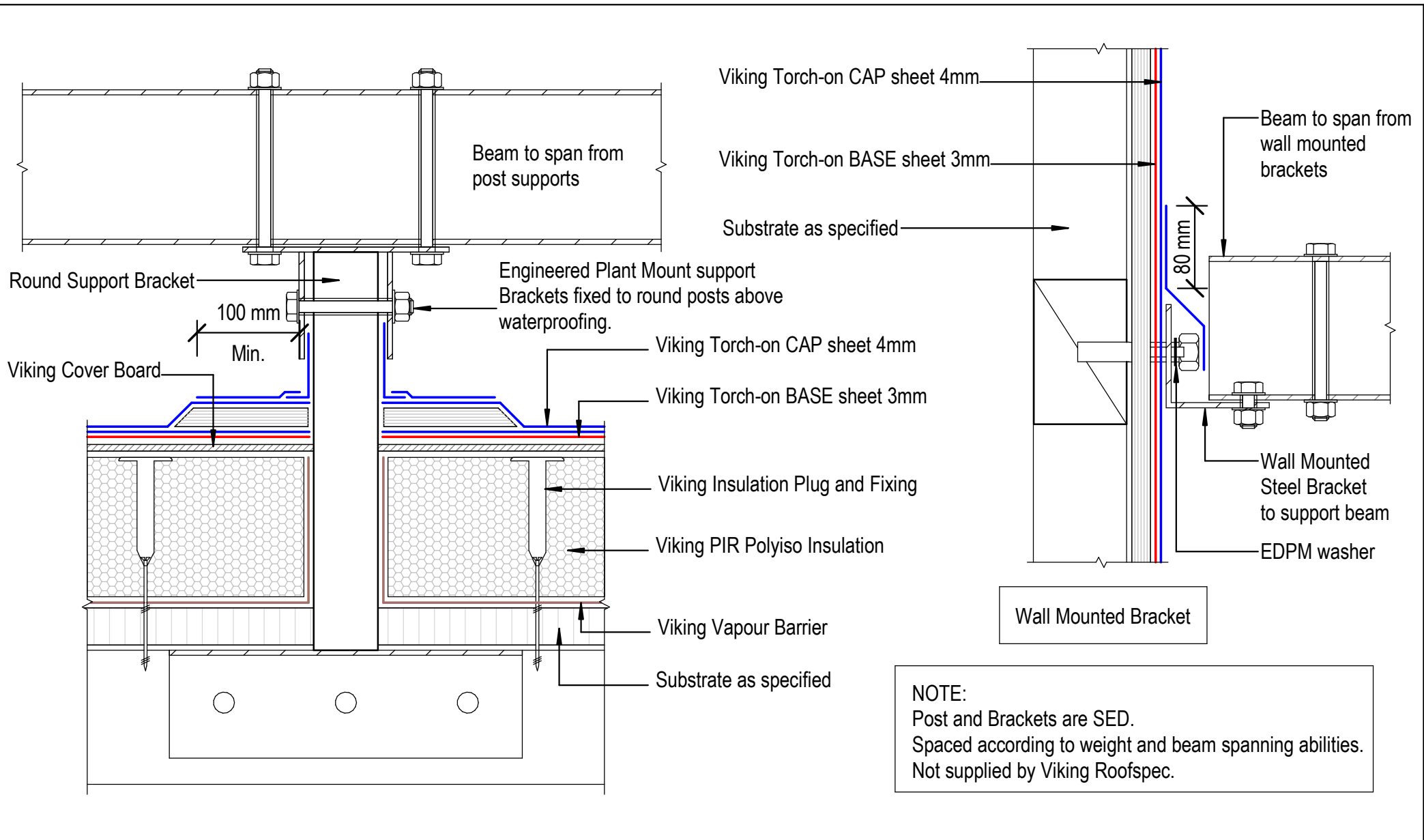
Substrate and structure are indicative only

DRAWING STATUS

INFORMATION ONLY

Scale: Not to Scale	Date: 01/10/2022	Drawn: Viking
Detail Ref: VIK_WS2_TOR_009_POSTDECK		





DRAWING TITLE

Viking WS2 - Torch-On
 Penetration_Post or Rail for Plant Room equipment

NOTES:

*Viking Waterproof Membrane as notated can be Viking Gemini, Lybra, Phoenix Super or Halley P.
 *All details to be read in conjunction with Viking Specifications.

Substrate and structure are indicative only

DRAWING STATUS

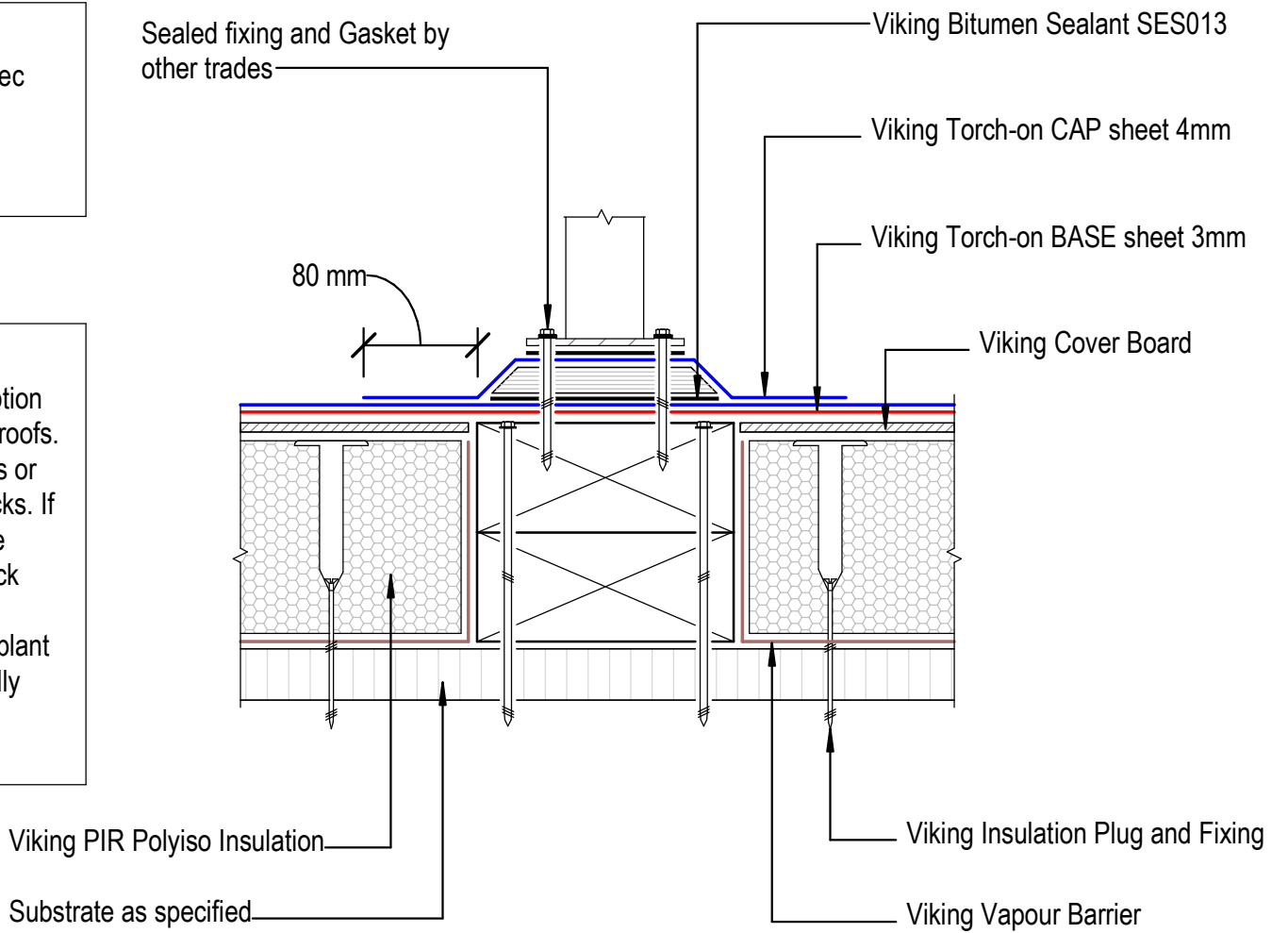
INFORMATION ONLY

Scale: Not to Scale	Date: 01/10/2022	Drawn: Viking
------------------------	---------------------	------------------

Detail Ref: **VIK_WS2_TOR_011_PENEPOST**

NOTE:
 Substrate to comply with current Viking Roofspec Masterspec specification
 Substrate Checksheet available from www.vikingroofspec.co.nz

NOTE:
 Consider Viking Detail WS2_011 as a better option for supporting Mechanical Plant on membrane roofs. Viking Roofspec do not recommend fixing posts or plant through the top of Membrane roofs or decks. If this is required, then use of a plinth ensures the fixings by other trades are kept off the main deck flood area.
 Viking Roofspec recommend that any fixing of plant is kept independent of the membrane roof ideally through vertical surfaces such as parapets.
All fixings must be sealed.



	DRAWING TITLE	NOTES:	DRAWING STATUS		
	Viking WS2 - Torch-On Penetration_Plinth base for Balustrade	*Viking Waterproof Membrane as notated can be Viking Gemini, Lybra, Phoenix Super or Halley P. *All details to be read in conjunction with Viking Specifications.	INFORMATION ONLY		
		Substrate and structure are indicative only	Scale: Not to Scale	Date: 01/10/2022	Drawn: Viking
			Detail Ref: VIK_WS2_TOR_012_PENEPLIN		

NOTE:

Substrate to comply with current Viking
Roofspec Masterspec specification
Substrate Checksheet available from
www.vikingroofspec.co.nz

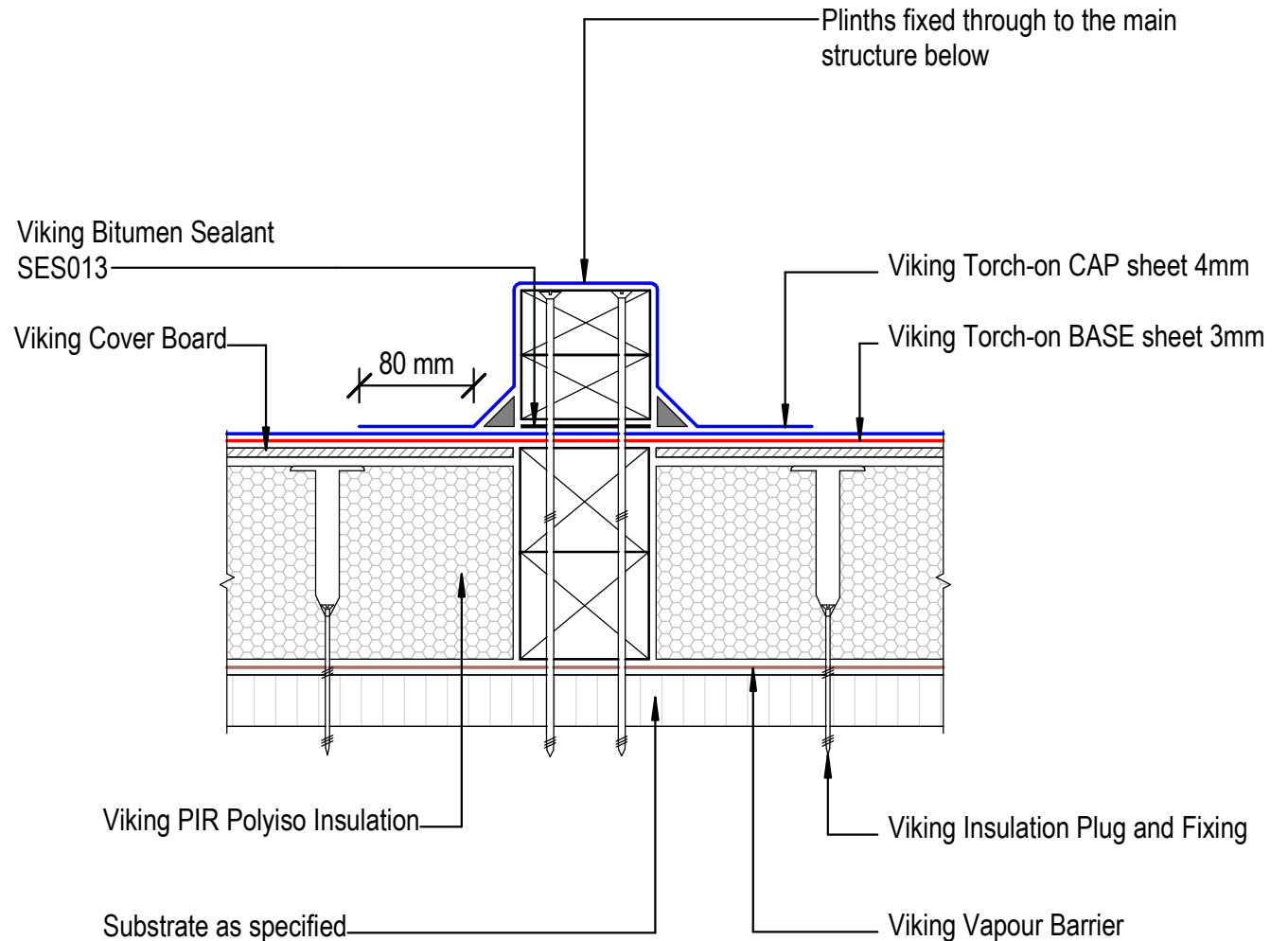
NOTE:

Consider Viking Detail WS2_011 as a better
option for supporting Mechanical Plant on
membrane roofs. Viking Roofspec do not
recommend fixing posts or plant through the
top of Membrane roofs or decks. If this is
required, then use of a plinth ensures the
fixings by other trades are kept off the main
deck flood area.

Viking Roofspec recommend that any fixing
of plant is kept independent of the
membrane roof ideally through vertical
surfaces such as parapets.
All fixings must be sealed.

NOTE:

Viking Roofspec or our Approved Applicators
do not warranty fixings installed by other
trades.



DRAWING TITLE

Viking WS2 - Torch-On
Penetration_Plinth for concrete or timber

NOTES:

*Viking Waterproof Membrane as notated can be
Viking Gemini, Lybra, Phoenix Super or Halley P.
*All details to be read in conjunction with
Viking Specifications.

Substrate and structure are
indicative only

DRAWING STATUS

INFORMATION ONLY

Scale:
Not to Scale

Date:
01/10/2022

Drawn: Viking

Detail Ref: **VIK_WS2_TOR_013_PENEPLIN**

NOTE:

Substrate to comply with current Viking
 Roofspec Masterspec specification
 Substrate Checksheet available from
www.vikingroofspec.co.nz

Viking Torch-on CAP sheet 4mm

Viking Torch-on BASE sheet 3mm

Viking Cover Board

Viking PIR Polyiso Insulation

Viking Vapour Barrier

Substrate as specified

Viking Insulation Plug and Fixing

Timber insert
 within Acoustic
 Mounting Block to
 secure plant to

Secure sealed fixing into the
 Timber insert without
 penetrating Viking
 Waterproofing Membrane

Acoustic Mounting Block
 ACM250 or ACM400
 250mm / 400mm

No Fastenings to penetrate membrane. Use
 Viking Bitumen Sealant SES013

Viking WS2 - Torch-On
 Penetration_Acoustic Mounting Block

NOTES:

*Viking Waterproof Membrane as notated can be
 Viking Gemini, Lybra, Phoenix Super or Halley P.
 *All details to be read in conjunction with
 Viking Specifications.

Substrate and structure are
 indicative only

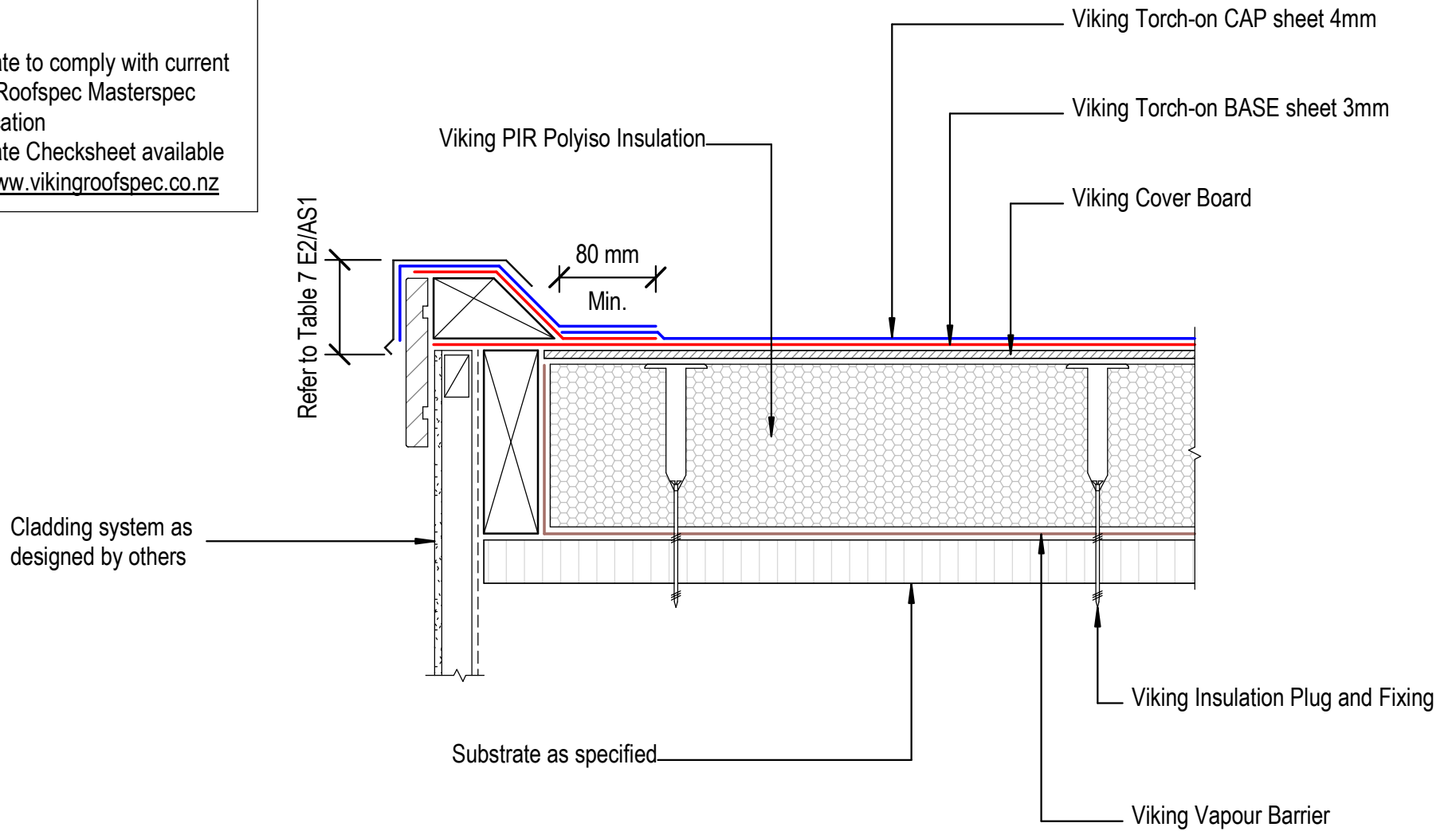
DRAWING STATUS

INFORMATION ONLY

Scale: Not to Scale	Date: 01/10/2022	Drawn: Viking
Detail Ref: VIK_WS2_TOR_014_PENEACOU		

NOTE:

Substrate to comply with current Viking Roofspec Masterspec specification
 Substrate Checksheet available from www.vikingroofspec.co.nz



DRAWING TITLE

Viking WS2 - Torch-On
 Verge_Barge

NOTES:

*Viking Waterproof Membrane as notated can be Viking Gemini, Lybra, Phoenix Super or Halley P.
 *All details to be read in conjunction with Viking Specifications.

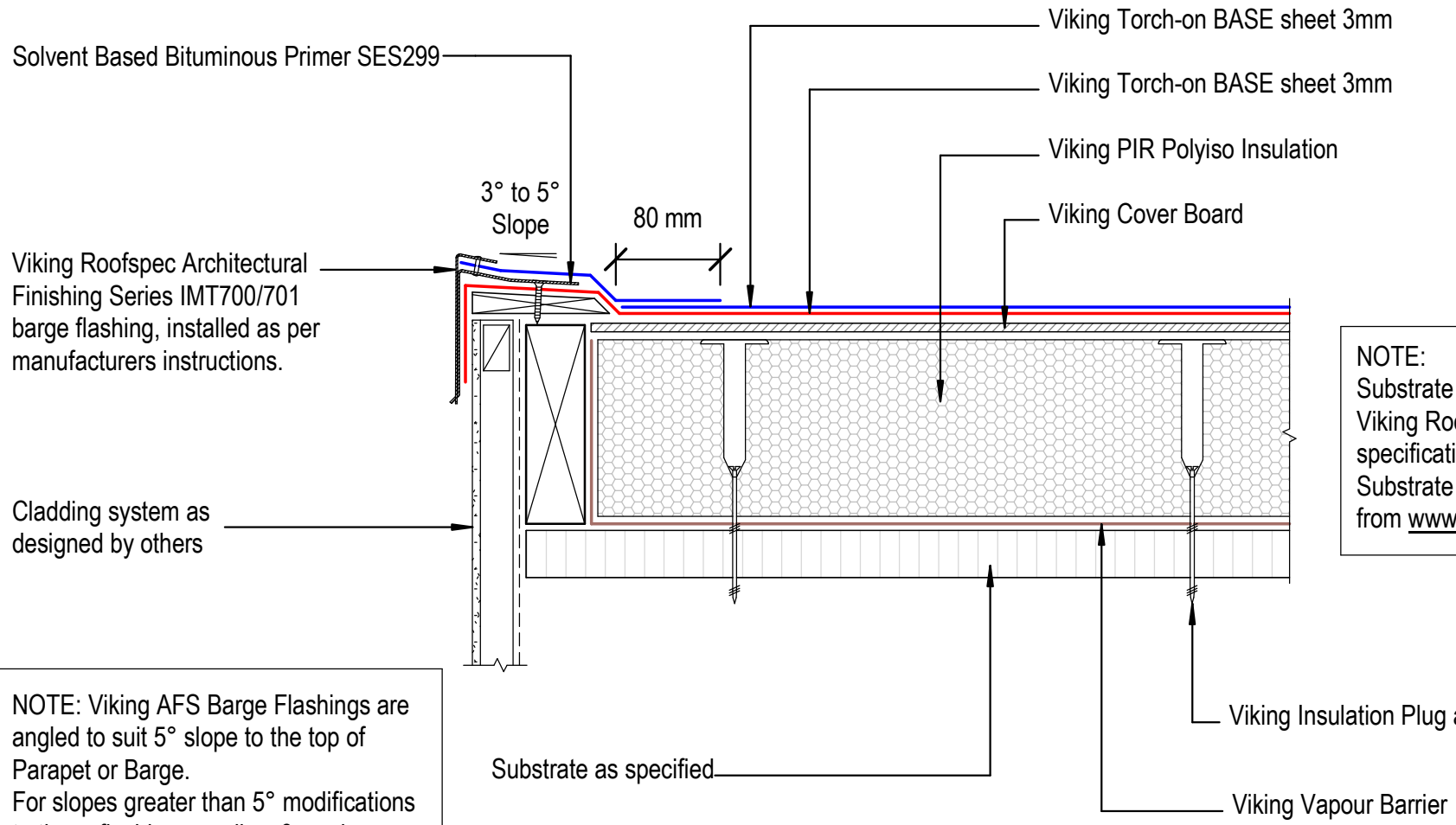
Substrate and structure are indicative only

DRAWING STATUS

INFORMATION ONLY

Scale: Not to Scale	Date: 01/10/2022	Drawn: Viking
------------------------	---------------------	------------------

Detail Ref: **VIK_WS2_TOR_030_VERGBARG**



NOTE:
 Substrate to comply with current Viking Roofspec Masterspec specification
 Substrate Checksheet available from www.vikingroofspec.co.nz

NOTE: Viking AFS Barge Flashings are angled to suit 5° slope to the top of Parapet or Barge.
 For slopes greater than 5° modifications to these flashings or allow 6 weeks pre-order with Roofspec.

DRAWING TITLE

Viking WS2 - Torch-On
 Verge_Barge with Low Profile AFS

NOTES:

*Viking Waterproof Membrane as notated can be Viking Gemini, Lybra, Phoenix Super or Halley P.
 *All details to be read in conjunction with Viking Specifications.

Substrate and structure are indicative only

DRAWING STATUS

INFORMATION ONLY

Scale: Not to Scale	Date: 01/10/2022	Drawn: Viking
Detail Ref: VIK_WS2_TOR_031_VERGBARG		



Viking Architectural Finishing
Series IMT700 Cover -
Flashing, Alum 1.6mm

Viking Torch-on Cap Sheet
4mm

Viking Torch-on Base Sheet
4mm

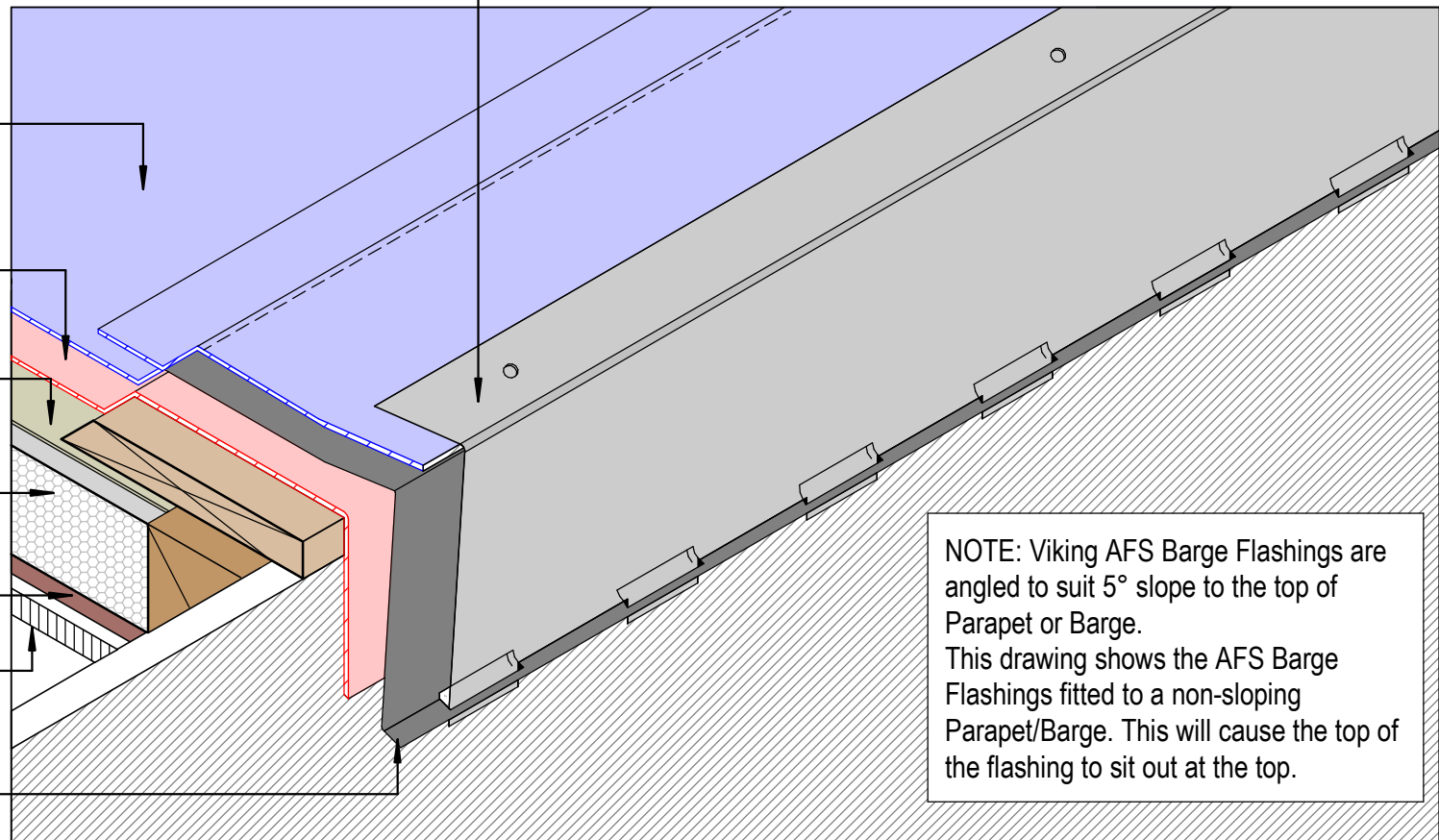
Viking Cover Board

Viking PIR Polyiso Insulation

Viking Vapour Barrier

Substrate as specified

Viking Architectural Finishing
Series IMT701 Base -
Flashing, Alum 1.6mm



NOTE: Viking AFS Barge Flashings are angled to suit 5° slope to the top of Parapet or Barge. This drawing shows the AFS Barge Flashings fitted to a non-sloping Parapet/Barge. This will cause the top of the flashing to sit out at the top.

NOTE:
Ref drawing WS2_031

NOTE:
Substrate to comply with current Viking Roofspec Masterspec specification
Substrate Checksheet available from www.vikingroofspec.co.nz

DRAWING TITLE

Viking WS2 - Torch-On
Verge_Barge with Low Profile AFS in ISOMETRIC

NOTES:

*Viking Waterproof Membrane as notated can be Viking Gemini, Lybra, Phoenix Super or Halley P.
*All details to be read in conjunction with Viking Specifications.

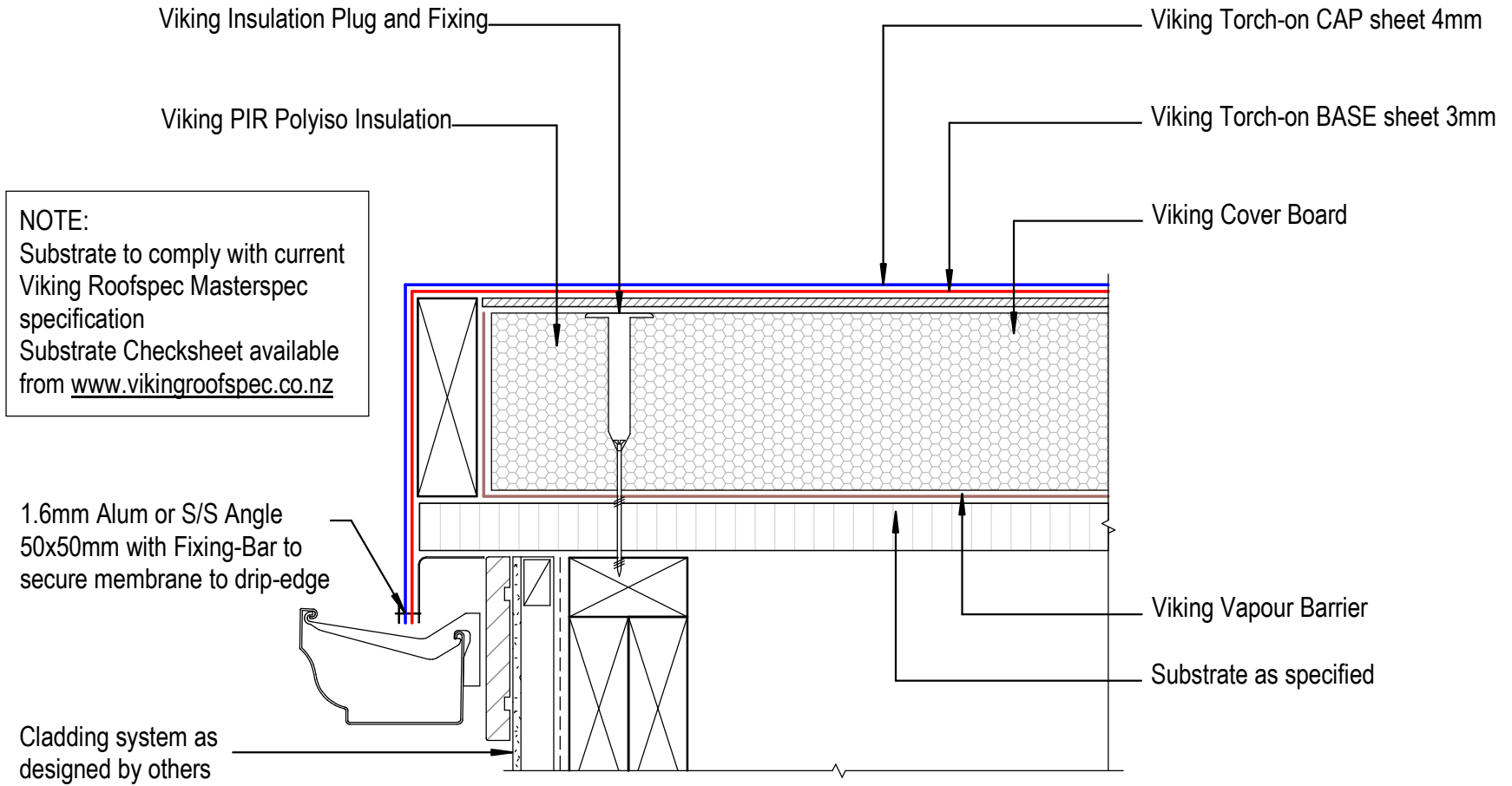
Substrate and structure are indicative only

DRAWING STATUS

INFORMATION ONLY

Scale: Not to Scale	Date: 01/10/2022	Drawn: Viking
Detail Ref: VIK_WS2_TOR_031A_VERGBARG		





NOTE:
 Substrate to comply with current
 Viking Roofspec Masterspec
 specification
 Substrate Checksheet available
 from www.vikingroofspec.co.nz

DRAWING TITLE

Viking WS2 - Torch-On
 Verge_Drip edge to External Spouting

NOTES:

*Viking Waterproof Membrane as notated can be
 Viking Gemini, Lybra, Phoenix Super or Halley P.
 *All details to be read in conjunction with
 Viking Specifications.

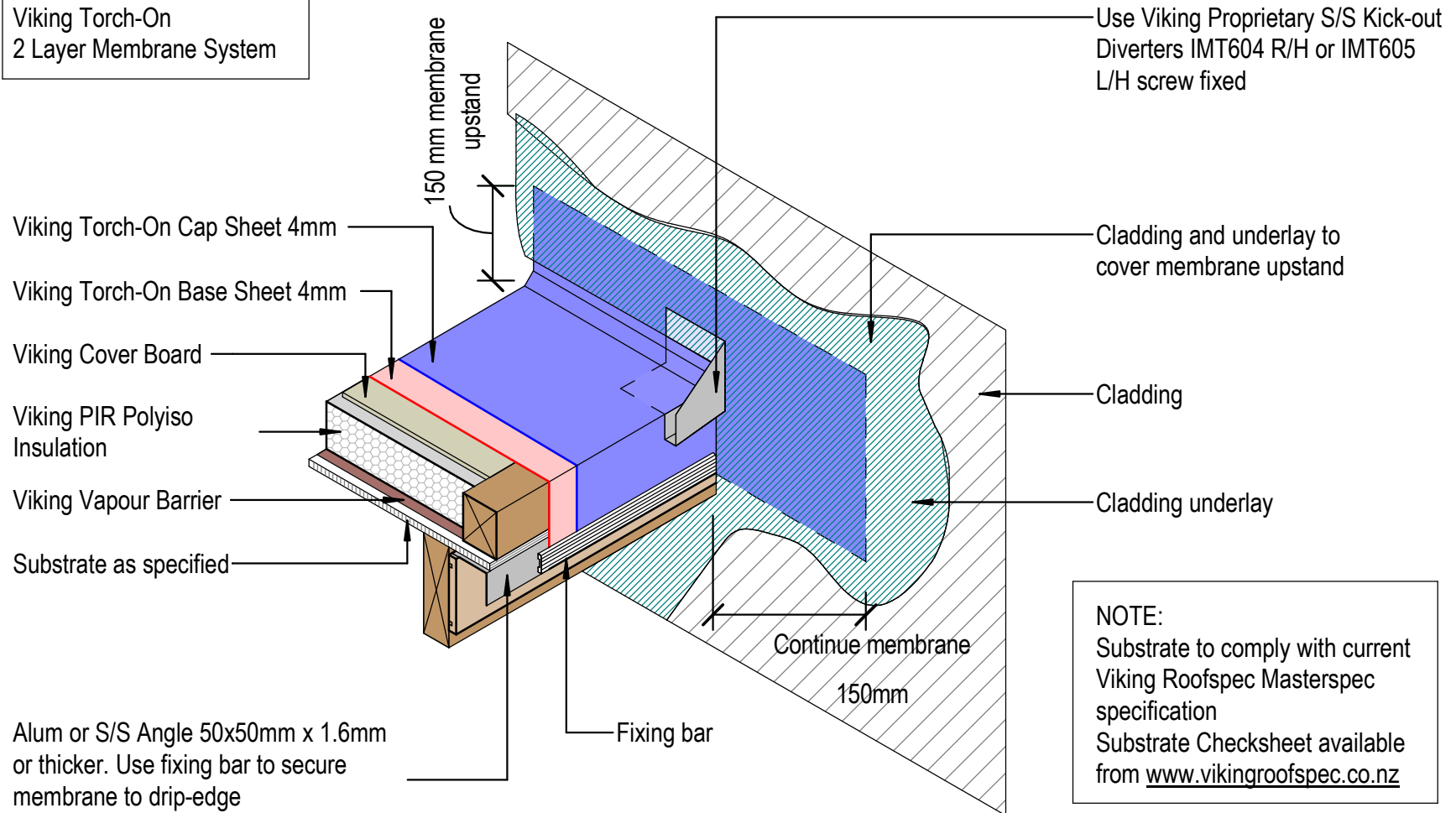
Substrate and structure are
 indicative only

DRAWING STATUS

INFORMATION ONLY

Scale: Not to Scale	Date: 01/10/2022	Drawn: Viking
Detail Ref: VIK_WS2_TOR_032_VERGDRIP		

Viking Torch-On
2 Layer Membrane System



NOTE:
Substrate to comply with current Viking Roofspec Masterspec specification
Substrate Checksheet available from www.vikingroofspec.co.nz

DRAWING TITLE

Viking WS2 - Torch-On
Verge_edge with wall continuing, Diverter for cladding

NOTES:

*Viking Waterproof Membrane as notated can be Viking Gemini, Lybra, Phoenix Super or Halley P.
*All details to be read in conjunction with Viking Specifications.

Substrate and structure are indicative only

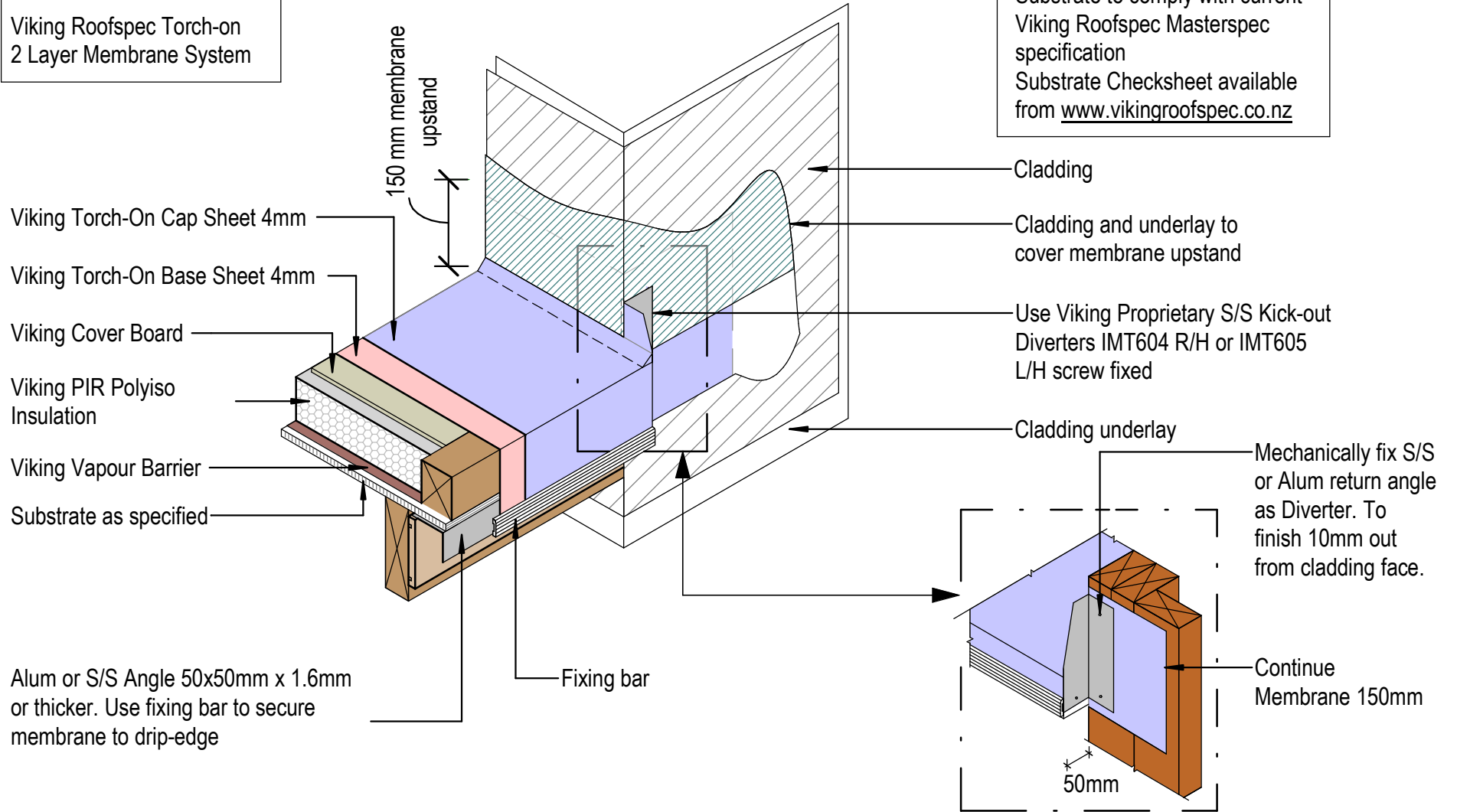
DRAWING STATUS

INFORMATION ONLY

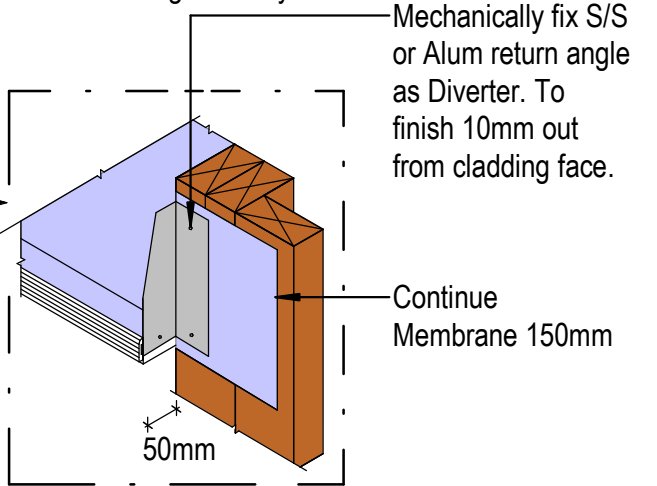
Scale: Not to Scale	Date: 01/10/2022	Drawn: Viking
Detail Ref: VIK_WS2_TOR_033_VERGEDGE		

Viking Roofspec Torch-on
2 Layer Membrane System

NOTE:
Substrate to comply with current
Viking Roofspec Masterspec
specification
Substrate Checksheet available
from www.vikingroofspec.co.nz



Alum or S/S Angle 50x50mm x 1.6mm
or thicker. Use fixing bar to secure
membrane to drip-edge



DRAWING TITLE

Viking WS2 - Torch-On
Verge_edge with wall returning, Diverter for cladding

NOTES:

*Viking Waterproof Membrane as notated can be
Viking Gemini, Lybra, Phoenix Super or Halley P.
*All details to be read in conjunction with
Viking Specifications.

Substrate and structure are
indicative only

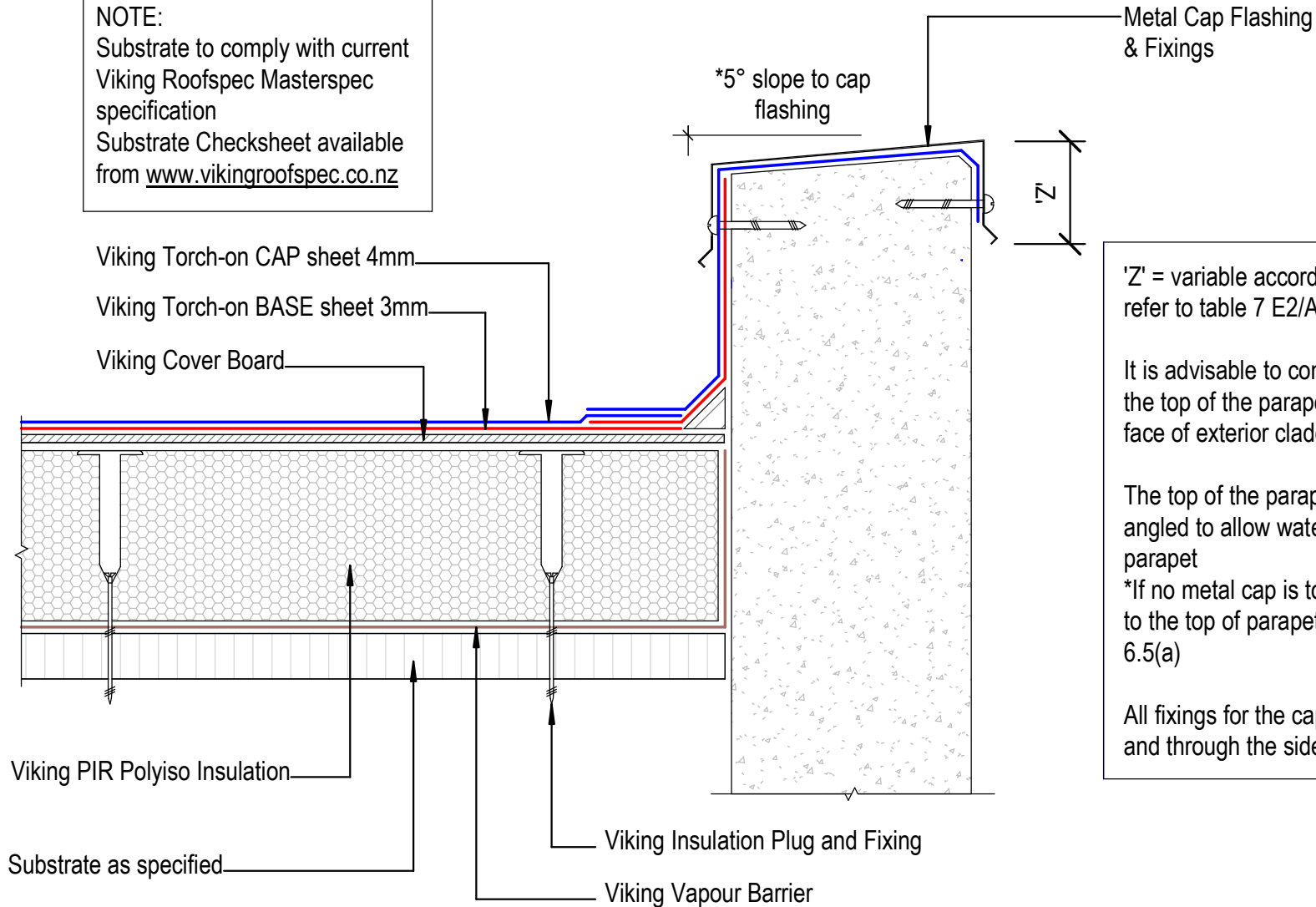
DRAWING STATUS

INFORMATION ONLY

Scale: Not to Scale	Date: 01/10/2022	Drawn: Viking
------------------------	---------------------	------------------

Detail Ref: **VIK_WS2_TOR_033A_VERGEDGE**

NOTE:
 Substrate to comply with current
 Viking Roofspec Masterspec
 specification
 Substrate Checksheet available
 from www.vikingroofspec.co.nz



'Z' = variable according to wind zone, please refer to table 7 E2/AS1

It is advisable to continue the membrane over the top of the parapet and finish over the front face of exterior cladding

The top of the parapet substrate, must be angled to allow water to run off the top of the parapet
 *If no metal cap is to be used, then a 10° slope to the top of parapet is required. Refer E2/AS1 6.5(a)

All fixings for the cap flashing, must be sealed and through the side of the flashing.

DRAWING TITLE

Viking WS2 - Torch-On
 Parapet_with Cap concrete wall

NOTES:

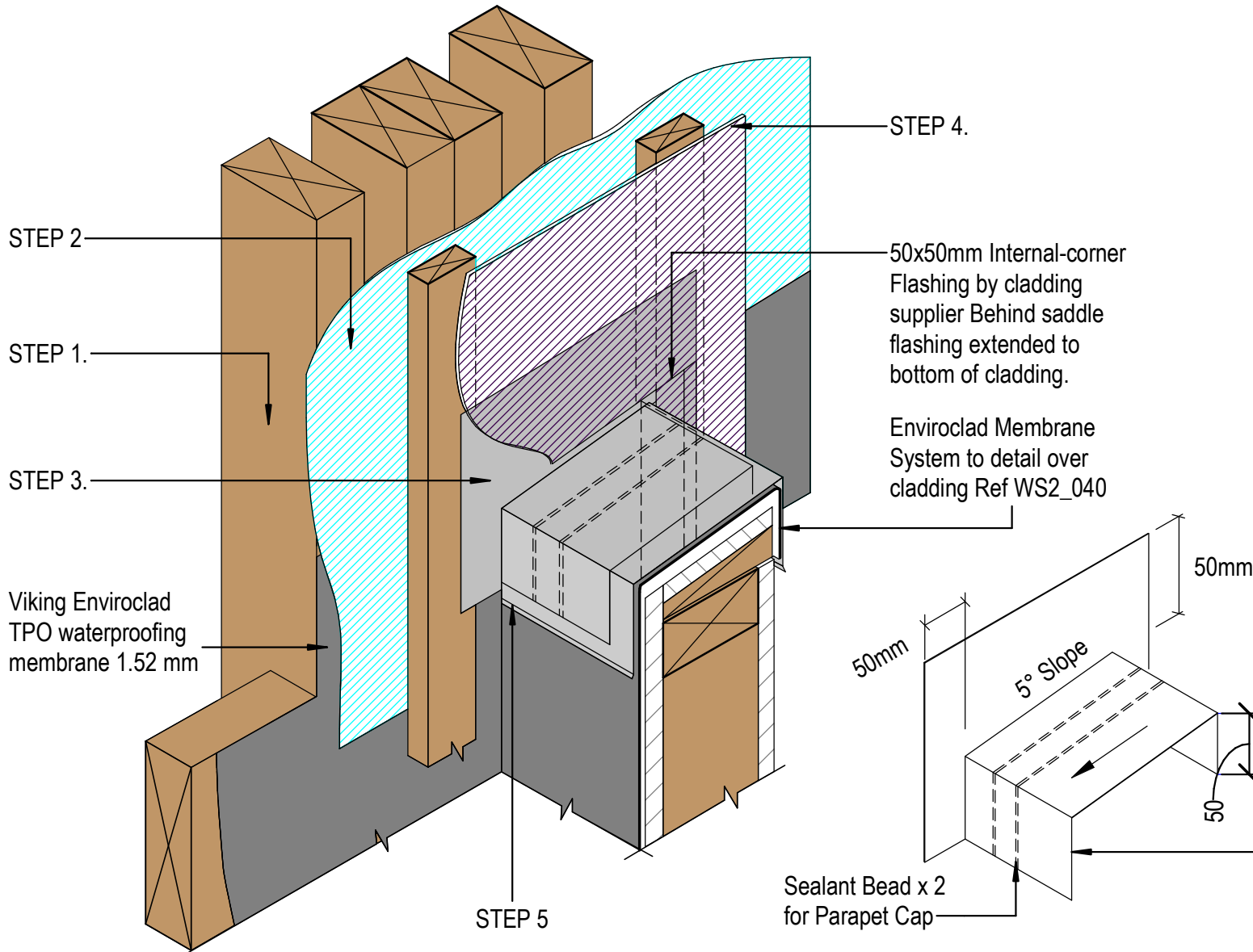
*Viking Waterproof Membrane as notated can be Viking Gemini, Lybra, Phoenix Super or Halley P.
 *All details to be read in conjunction with Viking Specifications.

Substrate and structure are indicative only

DRAWING STATUS

INFORMATION ONLY

Scale: Not to Scale	Date: 01/10/2022	Drawn: Viking
Detail Ref: VIK_WS2_TOR_040_PARACAP		



- STEPS**
- STEP 1. Viking Torch-On behind cavity batten fully supported by substrate plywood or timber. Finish 150mm over & beyond the parapet junction
- STEP 2. Wall Underlay behind cavity. Finish over membrane
- STEP 3. *Saddle Flashing over cavity batten, directly behind cladding, refer Fig12 E2/AS1
- STEP 4. Cladding to seal to saddle flashing
- STEP 5. Metal Cap flashing to seal to saddle flashing

DRAWING TITLE

Viking WS2 - Torch-On
Parapet_ Timber wall ISO

NOTES:

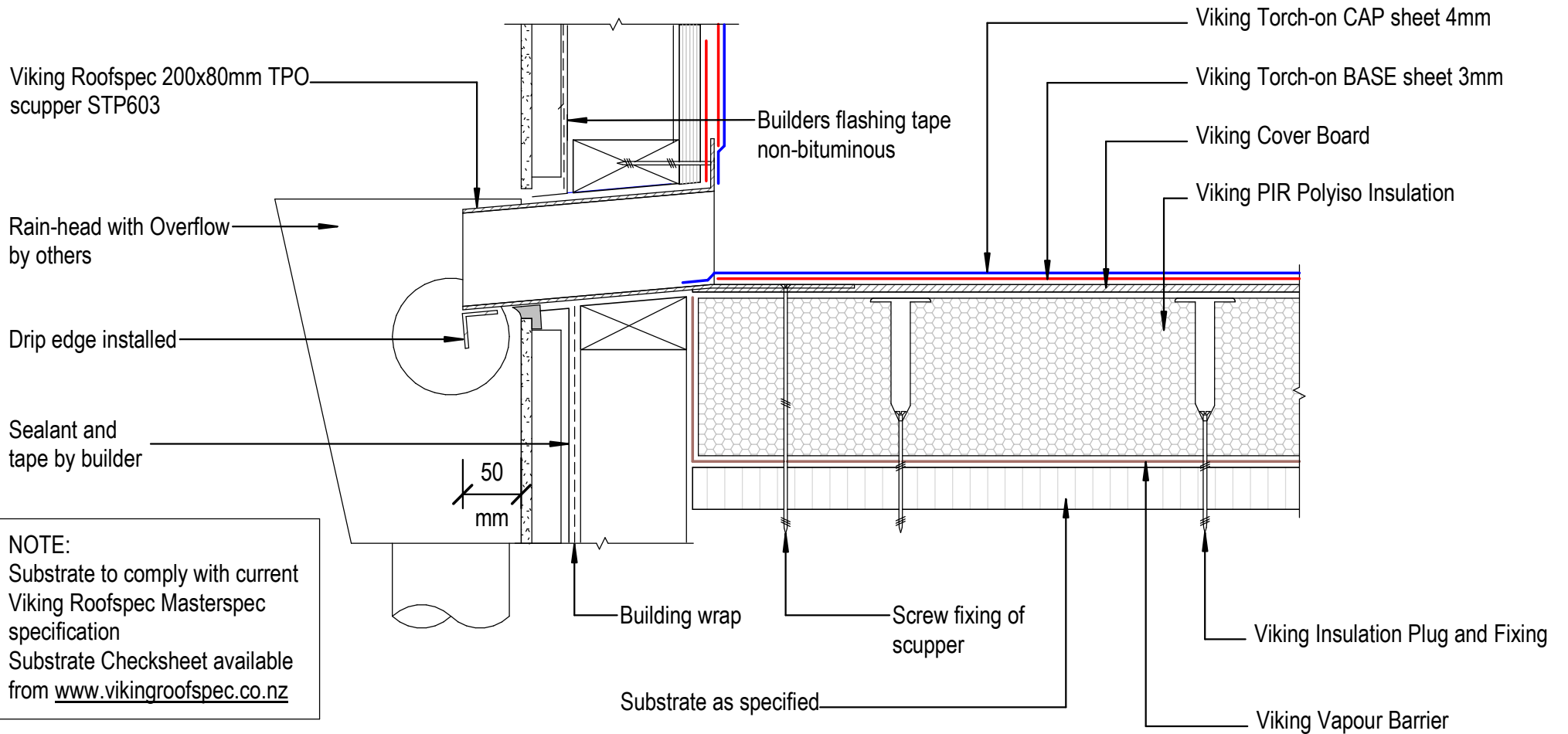
*Viking Waterproof Membrane as notated can be Viking Gemini, Lybra, Phoenix Super or Halley P.
*All details to be read in conjunction with Viking Specifications.

Substrate and structure are indicative only

DRAWING STATUS

INFORMATION ONLY

Scale: Not to Scale	Date: 01/10/2022	Drawn: Viking
Detail Ref: VIK_WS2_TOR_040A_PARAWALL		



NOTE:
 Substrate to comply with current Viking Roofspec Masterspec specification
 Substrate Checksheet available from www.vikingroofspec.co.nz

DRAWING TITLE

Viking WS2 - Torch-On
 Parapet_ with scupper outlet

NOTES:

*Viking Waterproof Membrane as notated can be Viking Gemini, Lybra, Phoenix Super or Halley P.
 *All details to be read in conjunction with Viking Specifications.

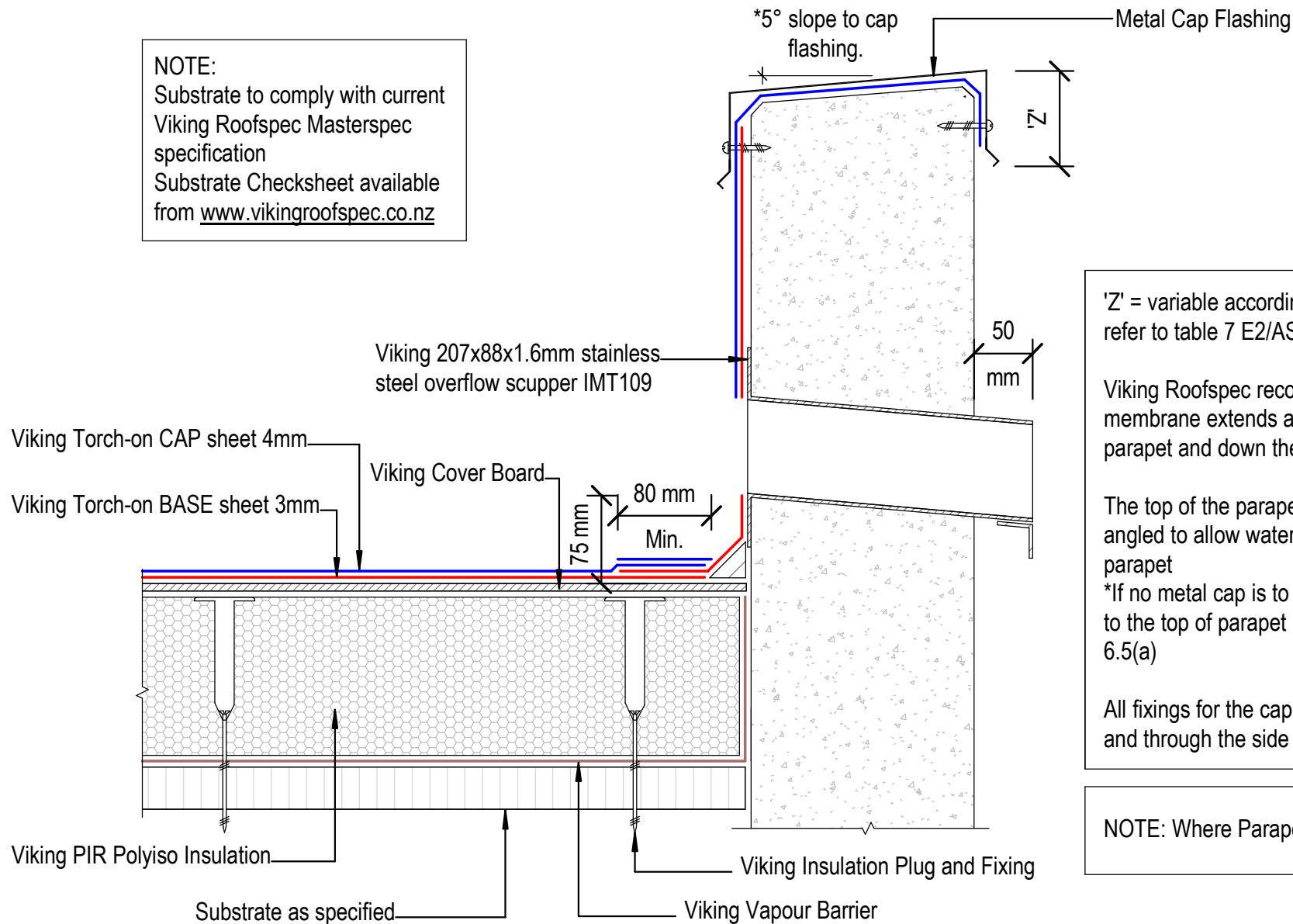
Substrate and structure are indicative only

DRAWING STATUS

INFORMATION ONLY

Scale: Not to Scale	Date: 01/10/2022	Drawn: Viking
Detail Ref: VIK_WS2_TOR_041_PARASCUP		

NOTE:
 Substrate to comply with current
 Viking Roofspec Masterspec
 specification
 Substrate Checksheet available
 from www.vikingroofspec.co.nz



'Z' = variable according to wind zone, please refer to table 7 E2/AS1

Viking Roofspec recommend that the membrane extends across the top of the parapet and down the front face of the cladding

The top of the parapet substrate, must be angled to allow water to run off the top of the parapet
 *If no metal cap is to be used, then a 10° slope to the top of parapet is required. Refer E2/AS1 6.5(a)

All fixings for the cap flashing, must be sealed and through the side of the flashing.

NOTE: Where Parapet meets wall refer WS2_40A

DRAWING TITLE

Viking WS2 - Torch-On
 Parapet_with overflow

NOTES:

*Viking Waterproof Membrane as notated can be Viking Gemini, Lybra, Phoenix Super or Halley P.
 *All details to be read in conjunction with Viking Specifications.

Substrate and structure are indicative only

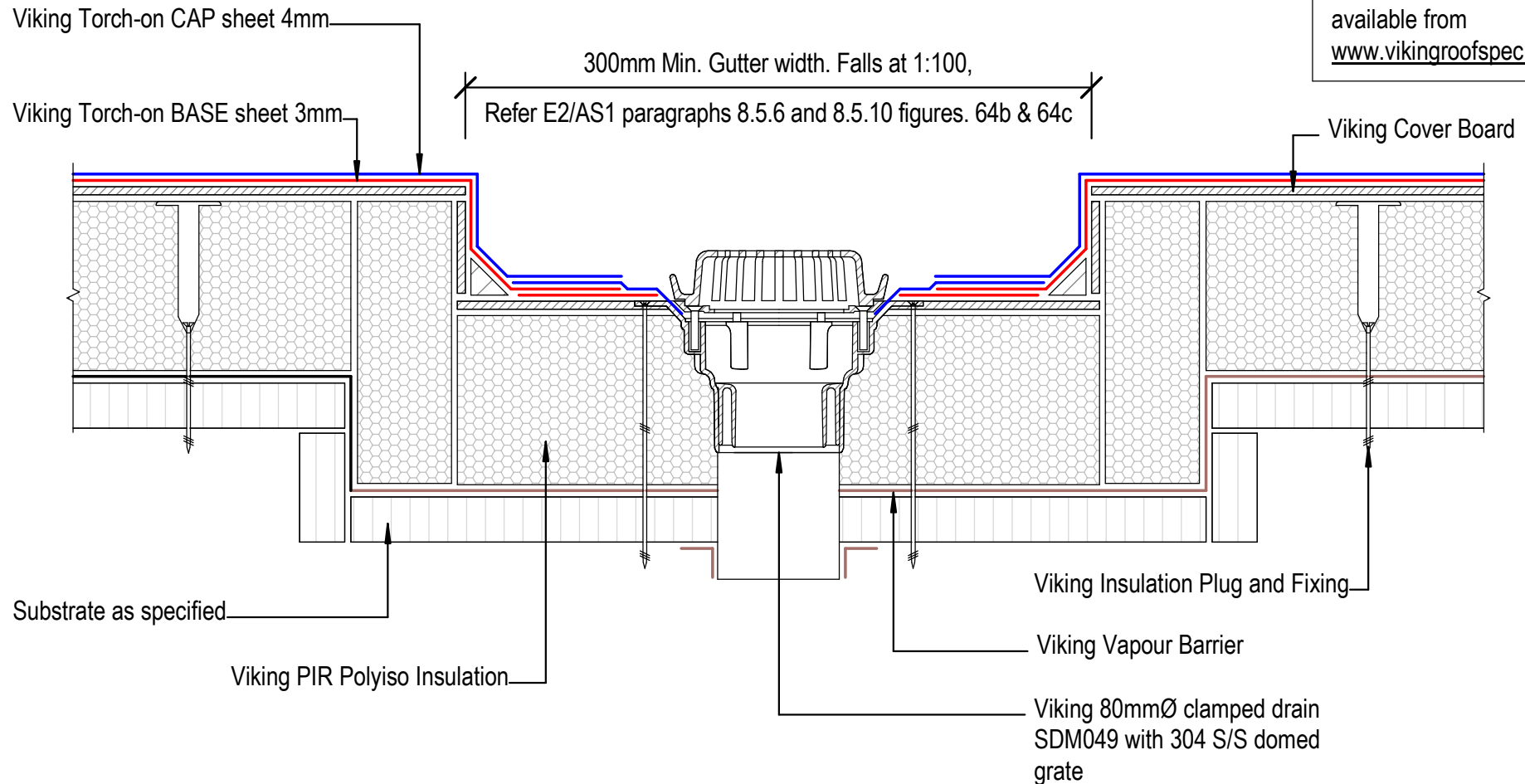
DRAWING STATUS

INFORMATION ONLY

Scale: Not to Scale	Date: 01/10/2022	Drawn: Viking
Detail Ref: VIK_WS2_TOR_042_PARAOVER		

NOTE: It is Viking Roofspecs view that Internal Gutters can be eliminated in many cases. In doing so you could reduce the overall heights or increase roof falls while reducing risk and details. To find out more refer to Detail Notes_Best Practice Design in Membrane Roofing

NOTE: Substrate to comply with current Viking Roofspec Masterspec specification Substrate Checksheet available from www.vikingroofspec.co.nz



DRAWING TITLE

Viking WS2 - Torch-On
Internal Gutter_with outlet

NOTES:

*Viking Waterproof Membrane as notated can be Viking Gemini, Lybra, Phoenix Super or Halley P.
*All details to be read in conjunction with Viking Specifications.

Substrate and structure are indicative only

DRAWING STATUS

INFORMATION ONLY

Scale: Not to Scale	Date: 01/10/2022	Drawn: Viking
Detail Ref: VIK_WS2_TOR_050_GUTTOUTL		

Viking Torch-on CAP sheet 4mm

Viking Torch-on BASE sheet 3mm

Viking Cover Board

Viking PIR Polyiso Insulation

Cladding to Overlap membrane by a minimum 50mm

Overflow level (Max.high-point of deck)

Membrane continues a further 100mm beyond Internal floor level as per E2/AS1 Fig 62(b,d)

100mm threshold from high-point of deck to Internal floor level or 150mm for roof to wall upstand. Refer E2/A1 Fig 64(b)

NOTE:
Substrate to comply with current Viking Roofspec Masterspec specification
Substrate Checksheet available from www.vikingroofspec.co.nz

Viking Insulation Plug and Fixing

Viking 80mmØ clamped drain
SDM049 with 304 S/S domed
grate

Viking Vapour Barrier

Substrate as specified

DRAWING TITLE

Viking WS2 - Torch-On
Internal Gutter_to Wall

NOTES:

*Viking Waterproof Membrane as notated can be Viking Gemini, Lybra, Phoenix Super or Halley P.
*All details to be read in conjunction with Viking Specifications.

Substrate and structure are indicative only

DRAWING STATUS

INFORMATION ONLY

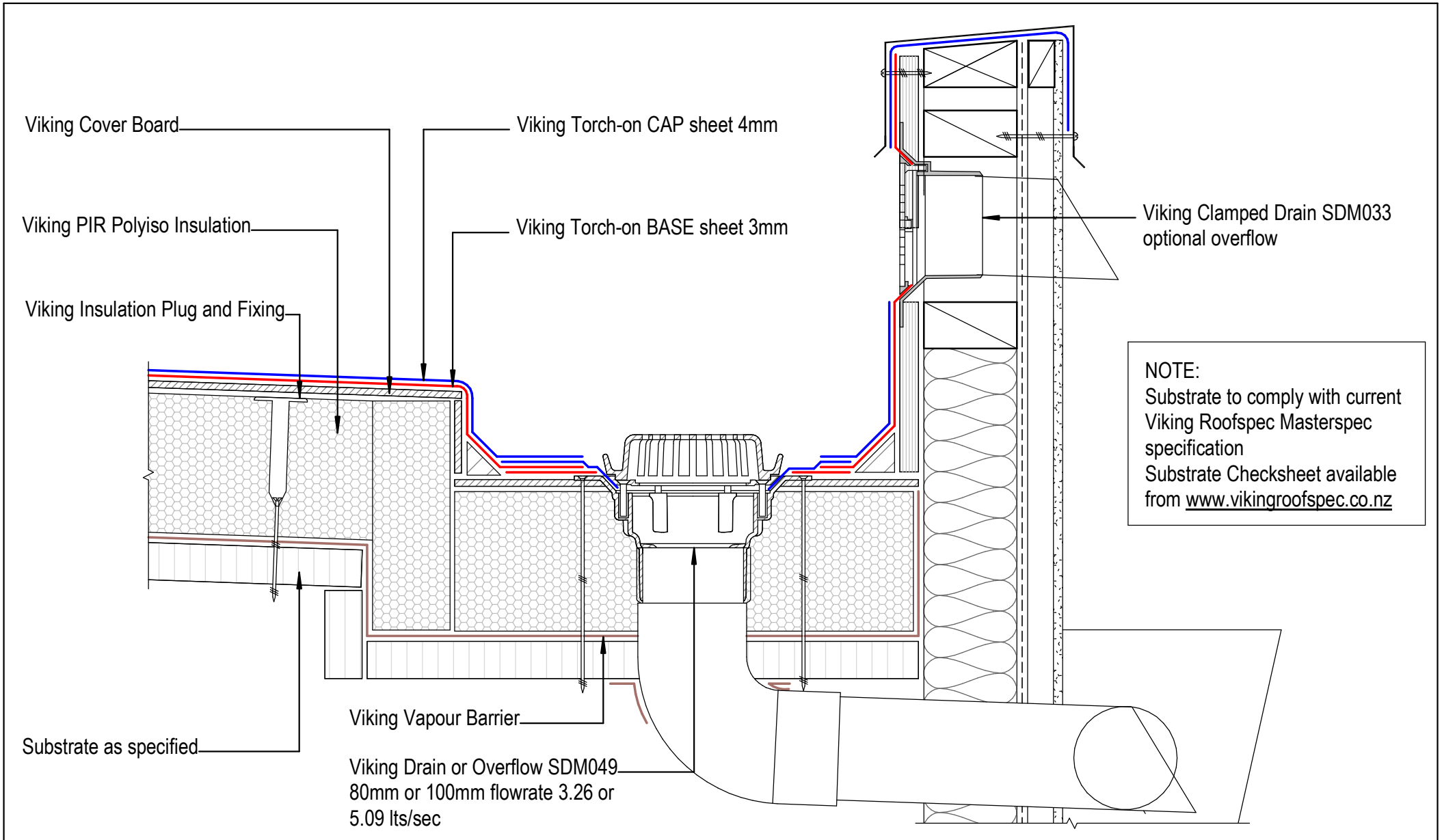
Scale:
Not to Scale

Date:
01/10/2022

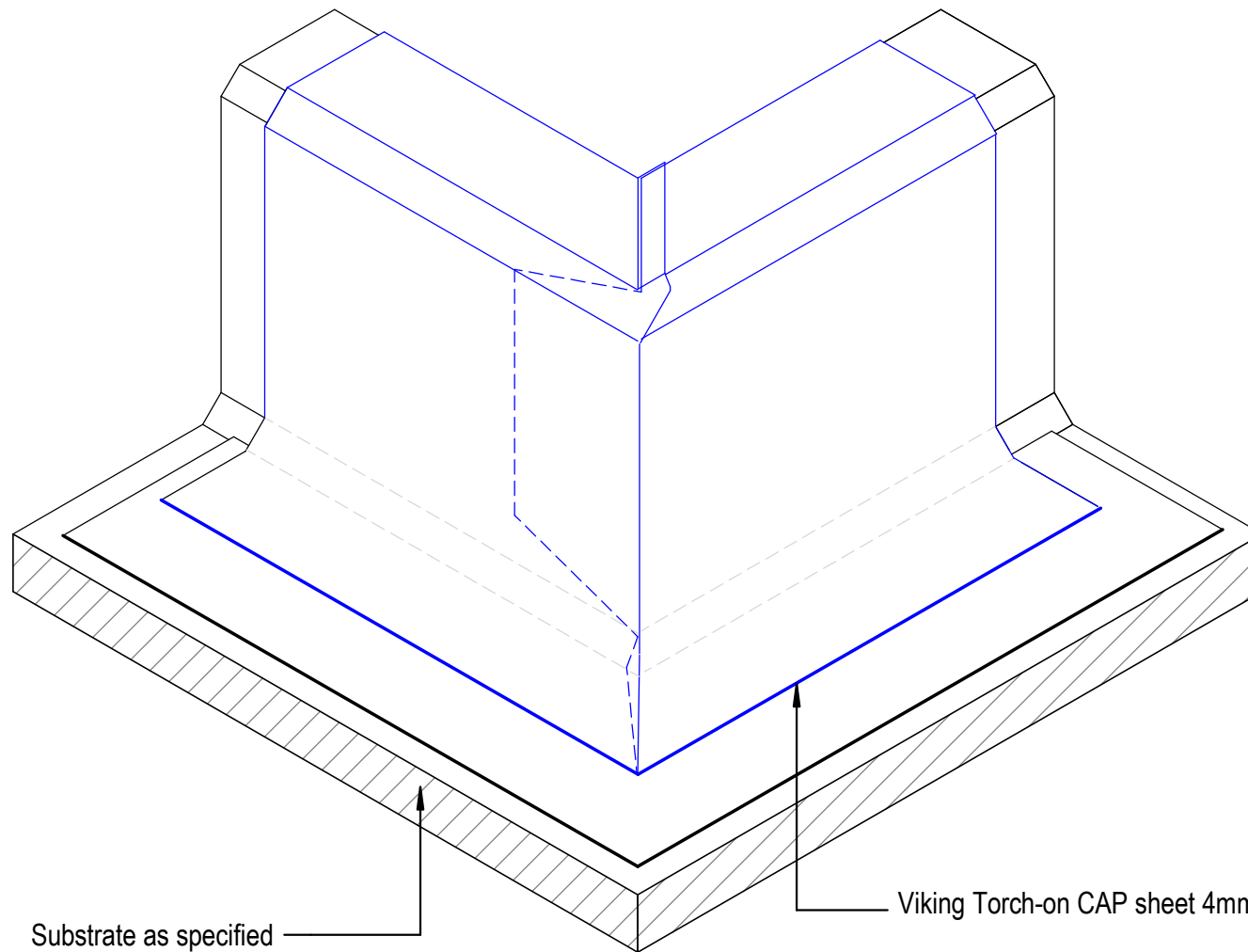
Drawn: Viking

Detail Ref: **VIK_WS2_TOR_051_GUTTWALL**






	DRAWING TITLE	NOTES: *Viking Waterproof Membrane as notated can be Viking Gemini, Lybra, Phoenix Super or Halley P. *All details to be read in conjunction with Viking Specifications.	Substrate and structure are indicative only		DRAWING STATUS	
	Viking WS2 - Torch-On Internal Gutter_with outlet / overflow		INFORMATION ONLY			
			Scale: Not to Scale	Date: 01/10/2022	Drawn: Viking	Detail Ref: VIK_WS2_TOR_052_GUTTWALL



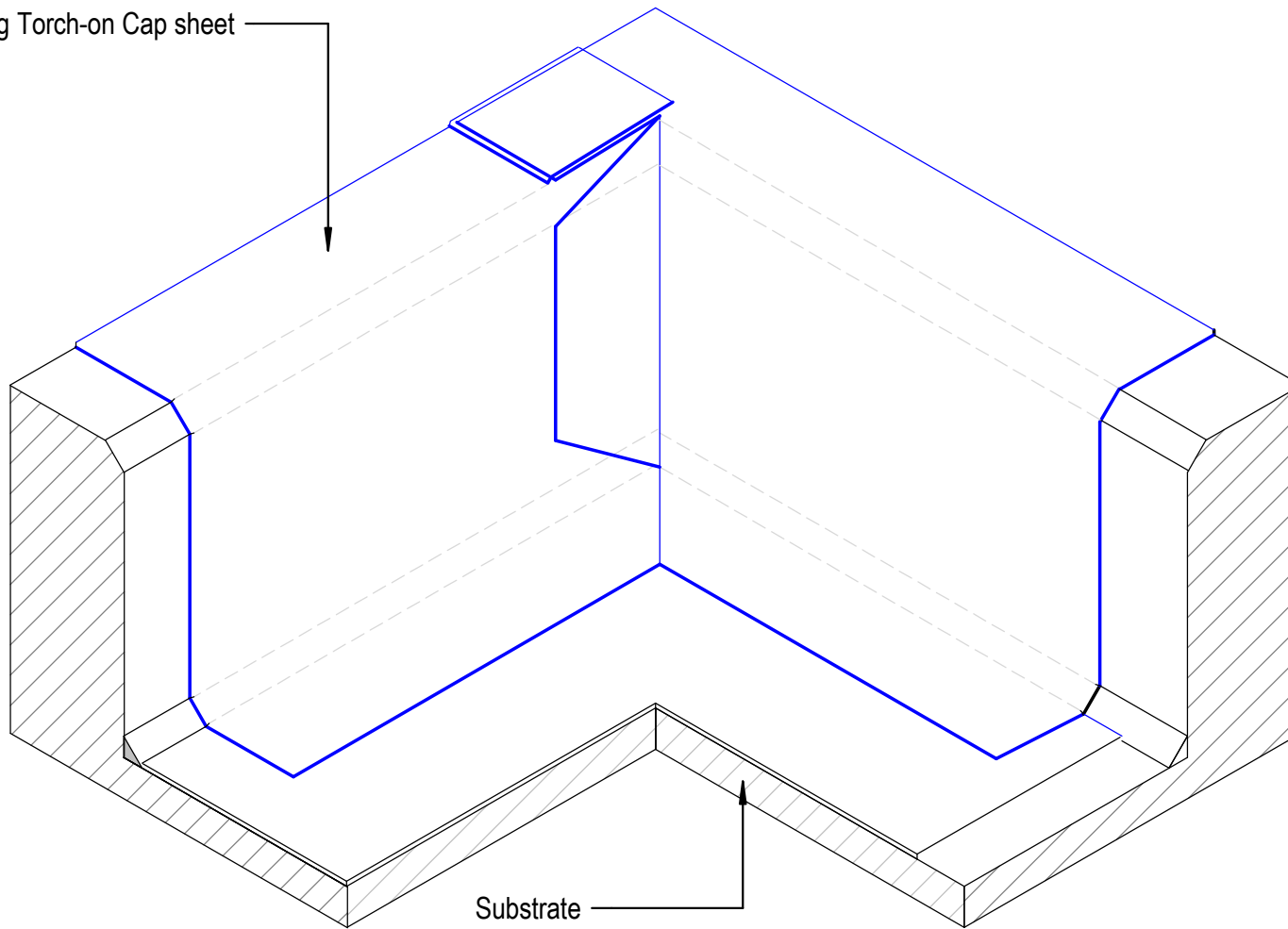
NOTE:
External corner tabs for the Cap Sheet must be installed in the opposite direction to the Base Sheet Layer

NOTE:
Install a min. 140mm dia. Gusset to the Fillet at the corner prior to detailing the Base Sheet Layer

NOTE:
Substrate to comply with current Viking Roofspec Masterspec specification
Substrate Checksheet available from www.vikingroofspec.co.nz

	DRAWING TITLE	NOTES:	DRAWING STATUS		
	Viking WS2 - Torch-On Intersection_External corner	*Viking Waterproof Membrane as notated can be Viking Gemini, Lybra, Phoenix Super or Halley P. *All details to be read in conjunction with Viking Specifications.	INFORMATION ONLY		
			Substrate and structure are indicative only	Scale: Not to Scale	Date: 01/10/2022
			Detail Ref: VIK_WS2_TOR_060_INTSECRN		

Viking Torch-on Cap sheet
4mm



Substrate
as specified

NOTE:
For clarification this detail is repeated
for Base Sheet and Cap Sheet

NOTE:
Internal corner tabs for Cap Sheet
Layer must be installed in the opposite
direction to the Base Sheet Layer

NOTE:
Install a min. 140mm dia. Gusset to
the Fillet at the corner prior to
detailing the Base Sheet Layer

NOTE:
Substrate to comply with current Viking
Roofspec Masterspec specification
Substrate Checksheet available from
www.vikingroofspec.co.nz

DRAWING TITLE

Viking WS2 - Torch-On
Intersection_Internal corner

NOTES:

*Viking Waterproof Membrane as notated can be
Viking Gemini, Lybra, Phoenix Super or Halley P.
*All details to be read in conjunction with
Viking Specifications.

Substrate and structure are
indicative only

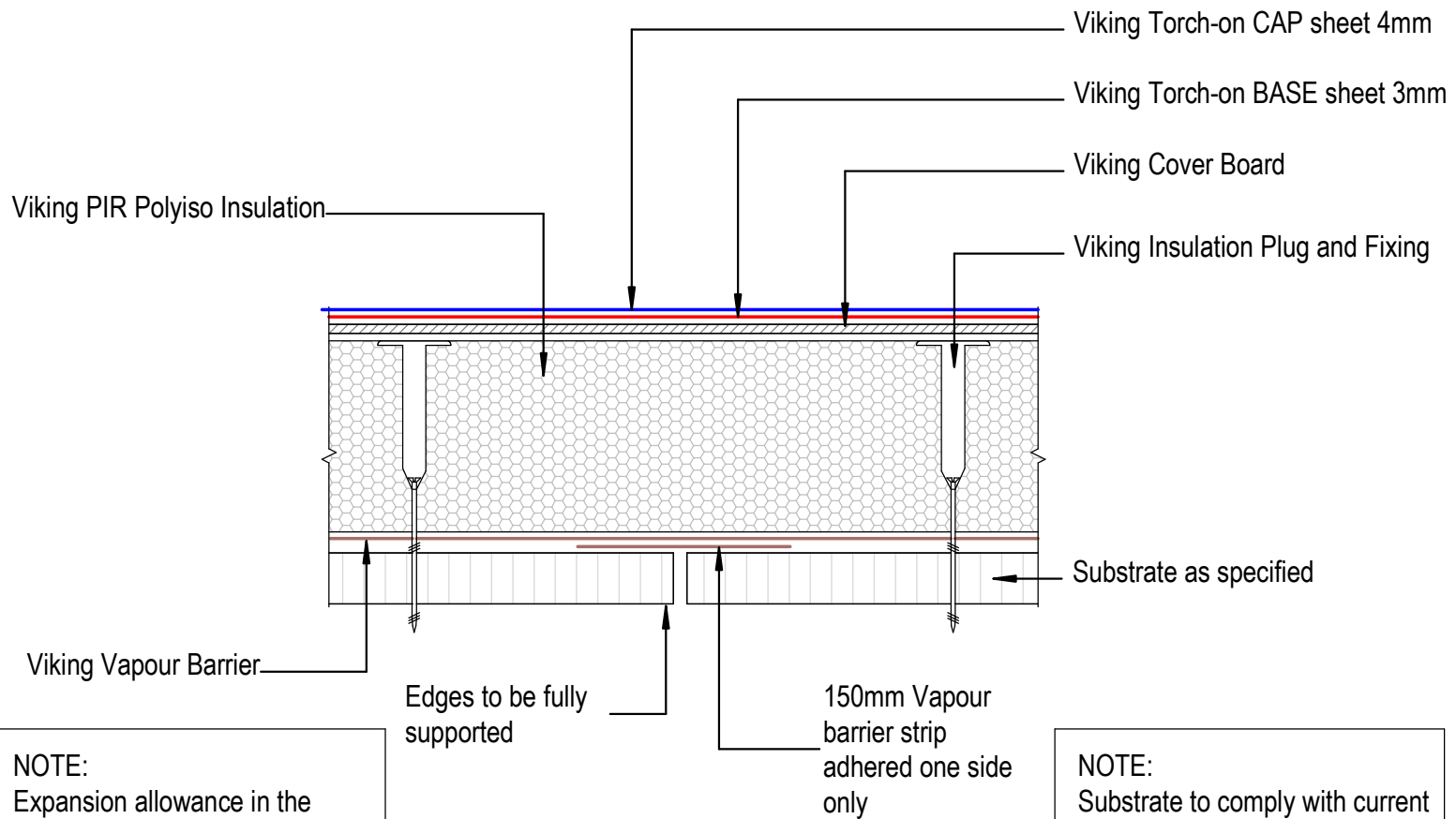
DRAWING STATUS

INFORMATION ONLY

Scale: Not to Scale	Date: 01/10/2022	Drawn:	Viking
------------------------	---------------------	--------	--------

Detail Ref: **VIK_WS2_TOR_061_INTSICNR**

Roofspec
Viking
Taking care of detail



NOTE:
Expansion allowance in the substrate is specific to the structure and design. These are to be determined by designer or engineer.

NOTE:
Substrate to comply with current Viking Roofspec Masterspec specification
Substrate Checksheet available from www.vikingroofspec.co.nz



DRAWING TITLE
Viking WS2 - Torch-On Intersection_Substrate Expansion

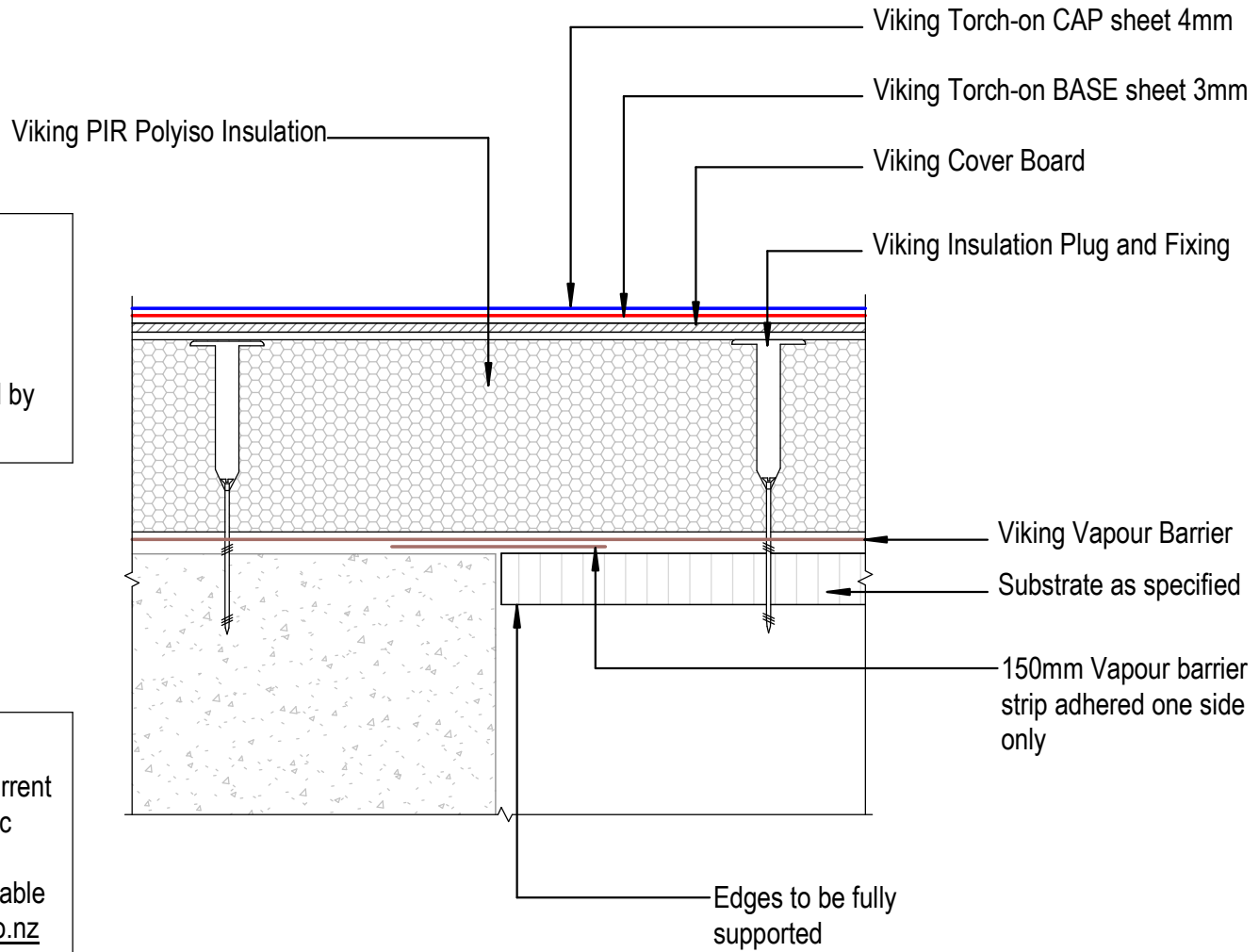
NOTES:
*Viking Waterproof Membrane as notated can be Viking Gemini, Lybra, Phoenix Super or Halley P. *All details to be read in conjunction with Viking Specifications.

Substrate and structure are indicative only

DRAWING STATUS			
INFORMATION ONLY			
Scale: Not to Scale	Date: 01/10/2022	Drawn:	Viking
Detail Ref: VIK_WS2_TOR_062_INTSSUBS			

NOTE:
Expansion allowance in the substrate is specific to the structure and design. These are to be determined by designer or engineer.

NOTE:
Substrate to comply with current Viking Roofspec Masterspec specification
Substrate Checksheet available from www.vikingroofspec.co.nz



DRAWING TITLE

Viking WS2 - Torch-On
Intersection_Substrate Expansion to Concrete

NOTES:

*Viking Waterproof Membrane as notated can be Viking Gemini, Lybra, Phoenix Super or Halley P.
*All details to be read in conjunction with Viking Specifications.

Substrate and structure are indicative only

DRAWING STATUS

INFORMATION ONLY

Scale:
Not to Scale

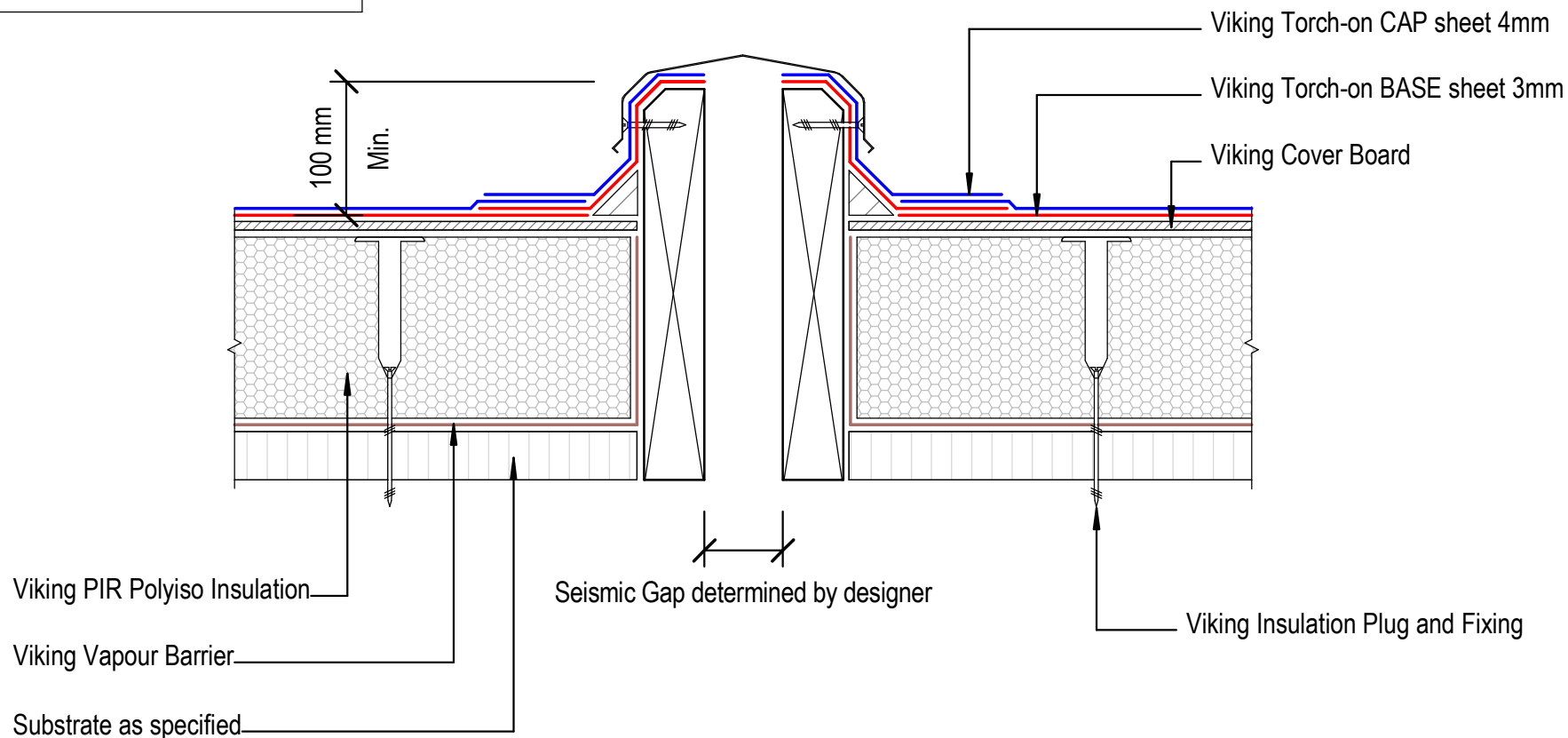
Date:
01/10/2022

Drawn: Viking

Detail Ref: **VIK_WS2_TOR_062A_INTSSUBS**

NOTE:
 Substrate to comply with current
 Viking Roofspec Masterspec
 specification
 Substrate Checksheet available
 from www.vikingroofspec.co.nz

Specific Seismic Joint by Designer



DRAWING TITLE

Viking WS2 - Torch-On
 Intersection_Seismic Gap Generic

NOTES:

*Viking Waterproof Membrane as notated can be
 Viking Gemini, Lybra, Phoenix Super or Halley P.
 *All details to be read in conjunction with
 Viking Specifications.

Substrate and structure are
 indicative only

DRAWING STATUS

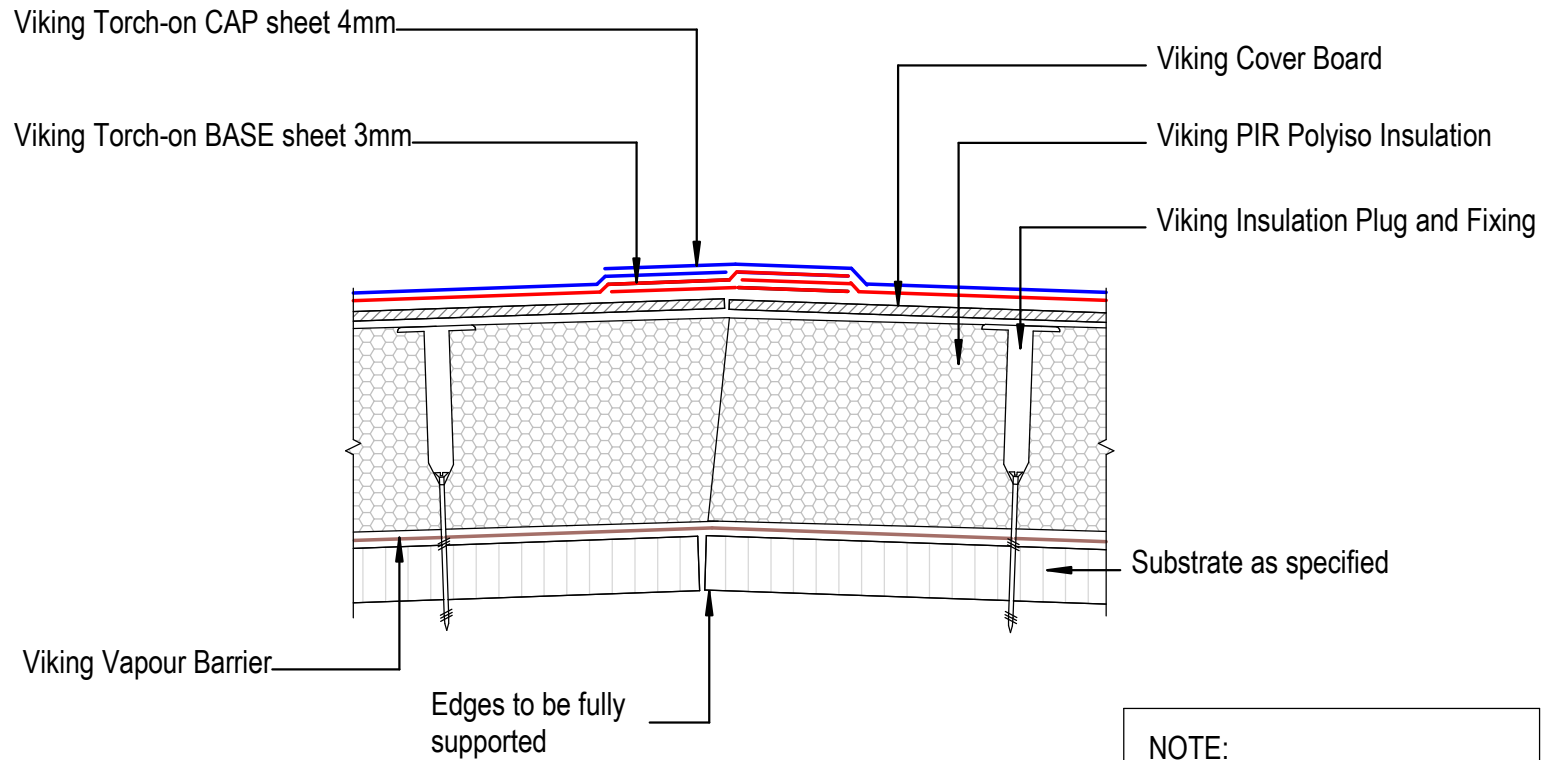
INFORMATION ONLY

Scale:
 Not to Scale


Date:
 01/10/2022

Drawn: Viking

Detail Ref: **VIK_WS2_TOR_063_INTSSEIS**



NOTE:
 Substrate to comply with current Viking Roofspec Masterspec specification
 Substrate Checksheet available from www.vikingroofspec.co.nz

	DRAWING TITLE	NOTES: *Viking Waterproof Membrane as notated can be Viking Gemini, Lybra, Phoenix Super or Halley P. *All details to be read in conjunction with Viking Specifications.	DRAWING STATUS		
	Viking WS2 - Torch-On Intersection_Ridge / Hip		INFORMATION ONLY		
			Substrate and structure are indicative only	Scale:	Date:
			Not to Scale	01/10/2022	Viking
			Detail Ref: VIK_WS2_TOR_064_INTSRIDG		

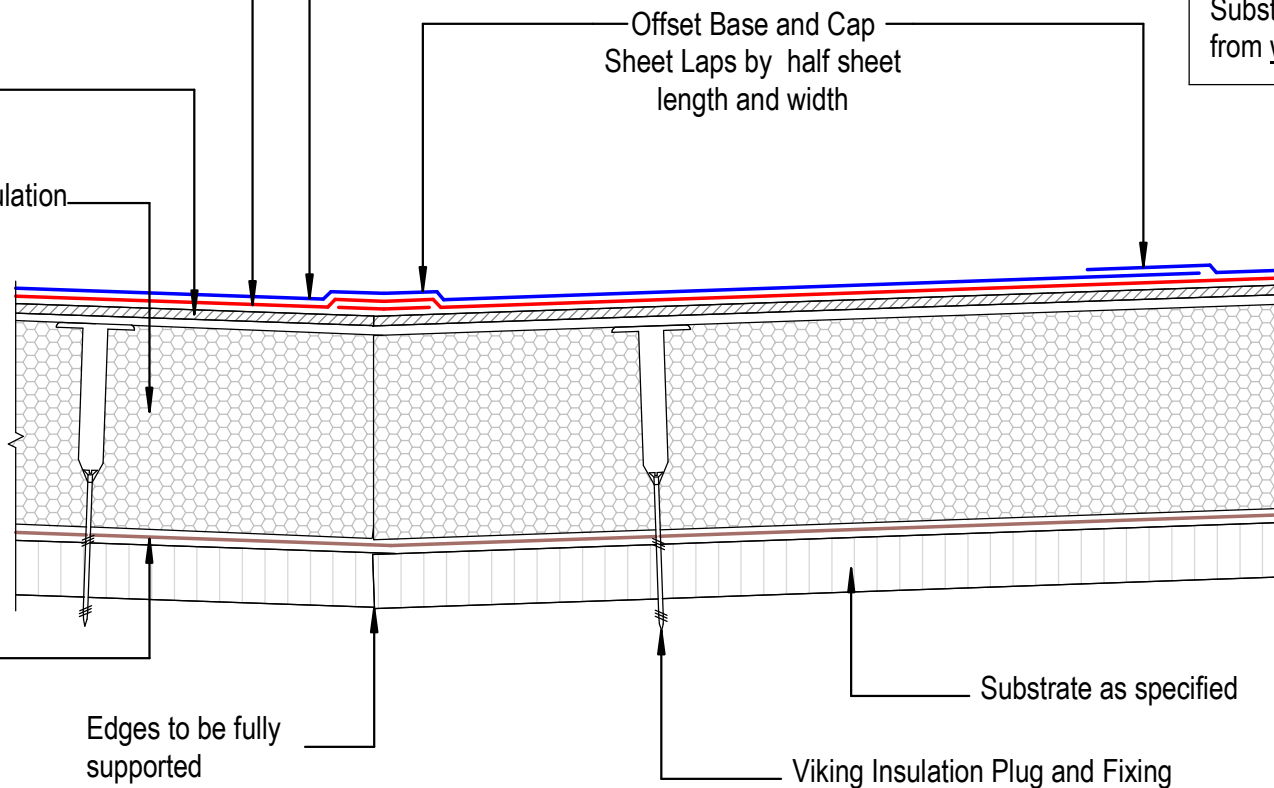
Viking Torch-on CAP sheet 4mm

Viking Torch-on BASE sheet 3mm

Viking Cover Board

Viking PIR Polyiso Insulation

Viking Vapour Barrier



NOTE:
 Substrate to comply with current Viking Roofspec Masterspec specification
 Substrate Checksheet available from www.vikingroofspec.co.nz

DRAWING TITLE

Viking WS2 - Torch-On Intersection_Valley

NOTES:

*Viking Waterproof Membrane as notated can be Viking Gemini, Lybra, Phoenix Super or Halley P.
 *All details to be read in conjunction with Viking Specifications.

Substrate and structure are indicative only

DRAWING STATUS

INFORMATION ONLY

Scale: Not to Scale

Date: 01/10/2022

Drawn:

Viking

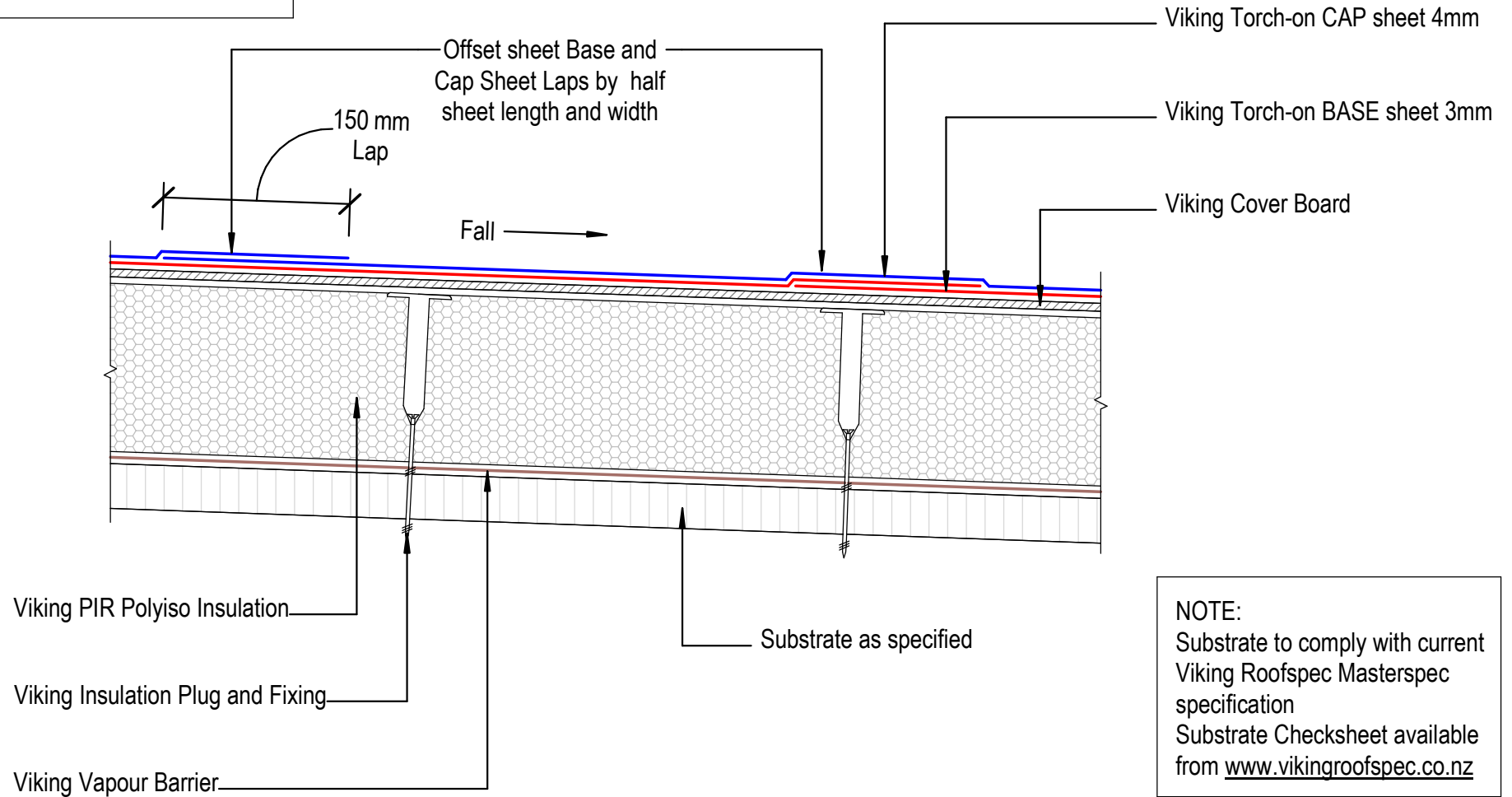
Detail Ref:

VIK_WS2_TOR_065_INTSVALL



NOTE:
Sheet laps may also run in the direction of fall

Head to Toe Lap



NOTE:
Substrate to comply with current Viking Roofspec Masterspec specification
Substrate Checksheet available from www.vikingroofspec.co.nz

DRAWING TITLE

Viking WS2 - Torch-On Intersection_Sheet Lap

NOTES:

*Viking Waterproof Membrane as notated can be Viking Gemini, Lybra, Phoenix Super or Halley P.
*All details to be read in conjunction with Viking Specifications.

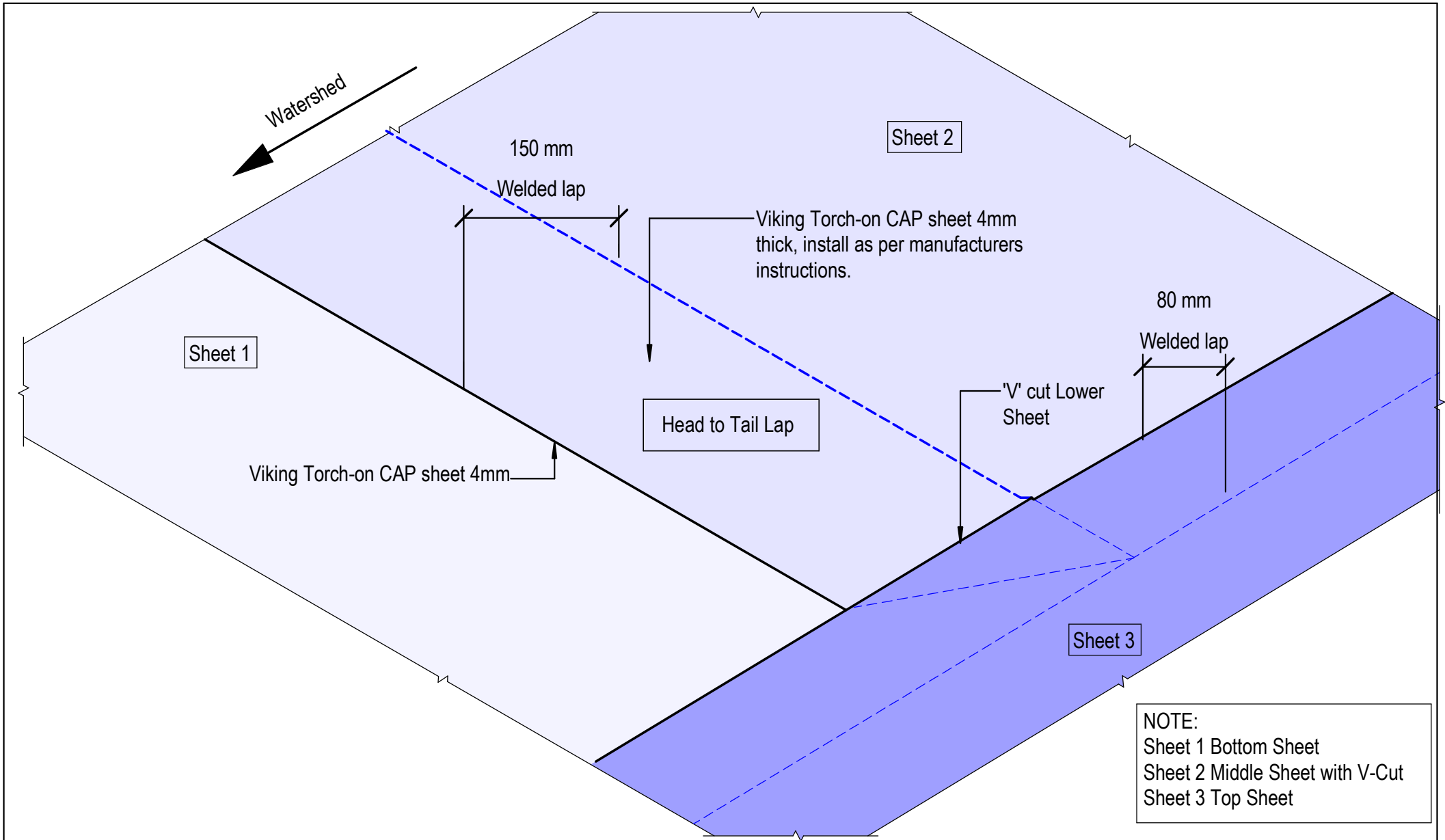
Substrate and structure are indicative only

DRAWING STATUS

INFORMATION ONLY

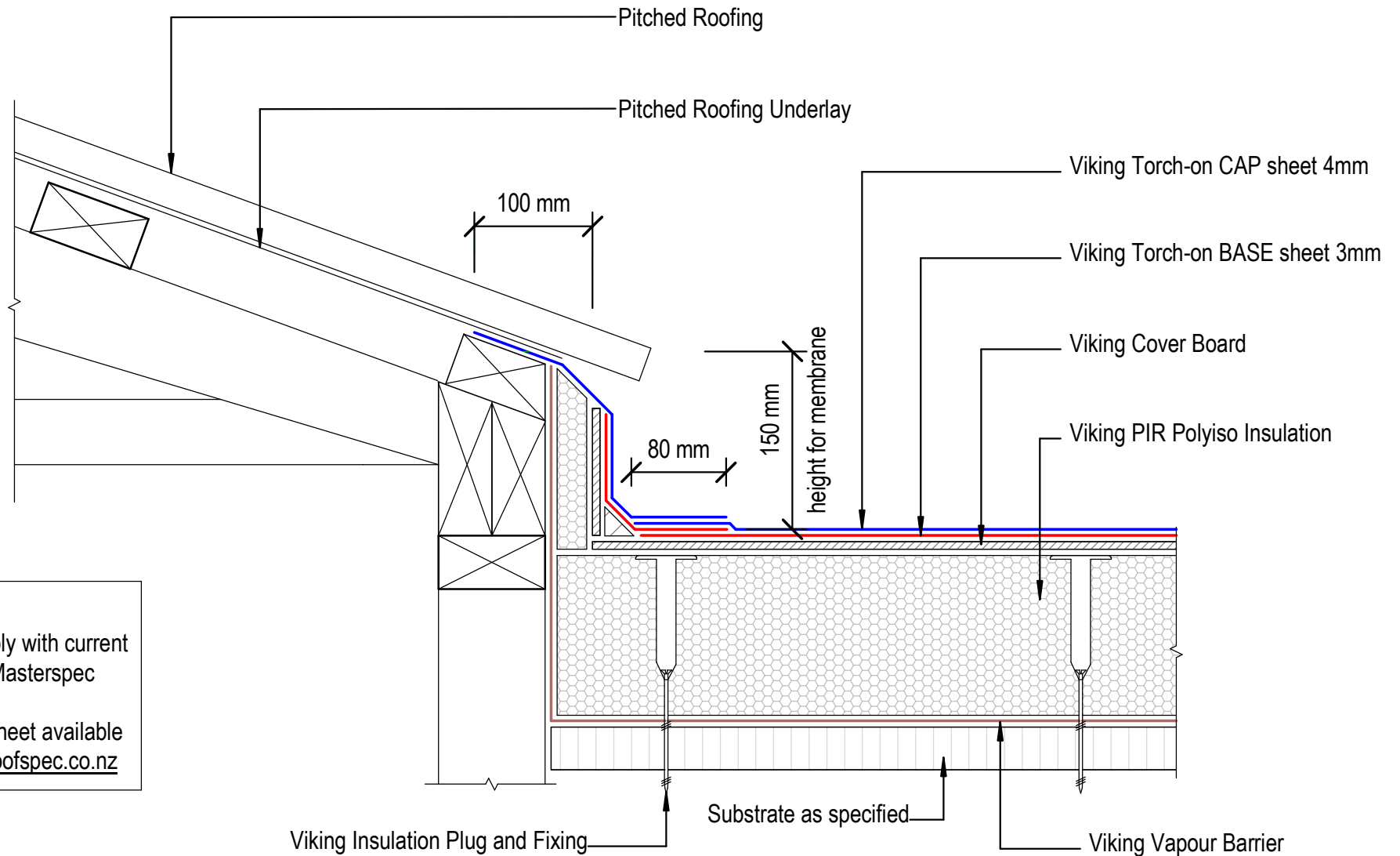
Scale: Not to Scale	Date: 01/10/2022	Drawn: Viking
Detail Ref: VIK_WS2_TOR_066_INTSSHEL		





NOTE:
 Sheet 1 Bottom Sheet
 Sheet 2 Middle Sheet with V-Cut
 Sheet 3 Top Sheet

	DRAWING TITLE		NOTES:		DRAWING STATUS	
	Viking WS2 - Torch-On Intersection_Sheet T-Joint		*Viking Waterproof Membrane as notated can be Viking Gemini, Lybra, Phoenix Super or Halley P. *All details to be read in conjunction with Viking Specifications.		INFORMATION ONLY	
		Scale:	Date:	Drawn:	Viking	
		Not to Scale		01/10/2022		
		Detail Ref:		VIK_WS2_TOR_067_INTSSHTT		



NOTE:
 Substrate to comply with current
 Viking Roofspec Masterspec
 specification
 Substrate Checksheet available
 from www.vikingroofspec.co.nz

DRAWING TITLE

Viking WS2 - Torch-On
 Roof Junction_Upstand to Pitched Roofing

NOTES:

*Viking Waterproof Membrane as notated can be
 Viking Gemini, Lybra, Phoenix Super or Halley P.
 *All details to be read in conjunction with
 Viking Specifications.

Substrate and structure are
 indicative only

DRAWING STATUS

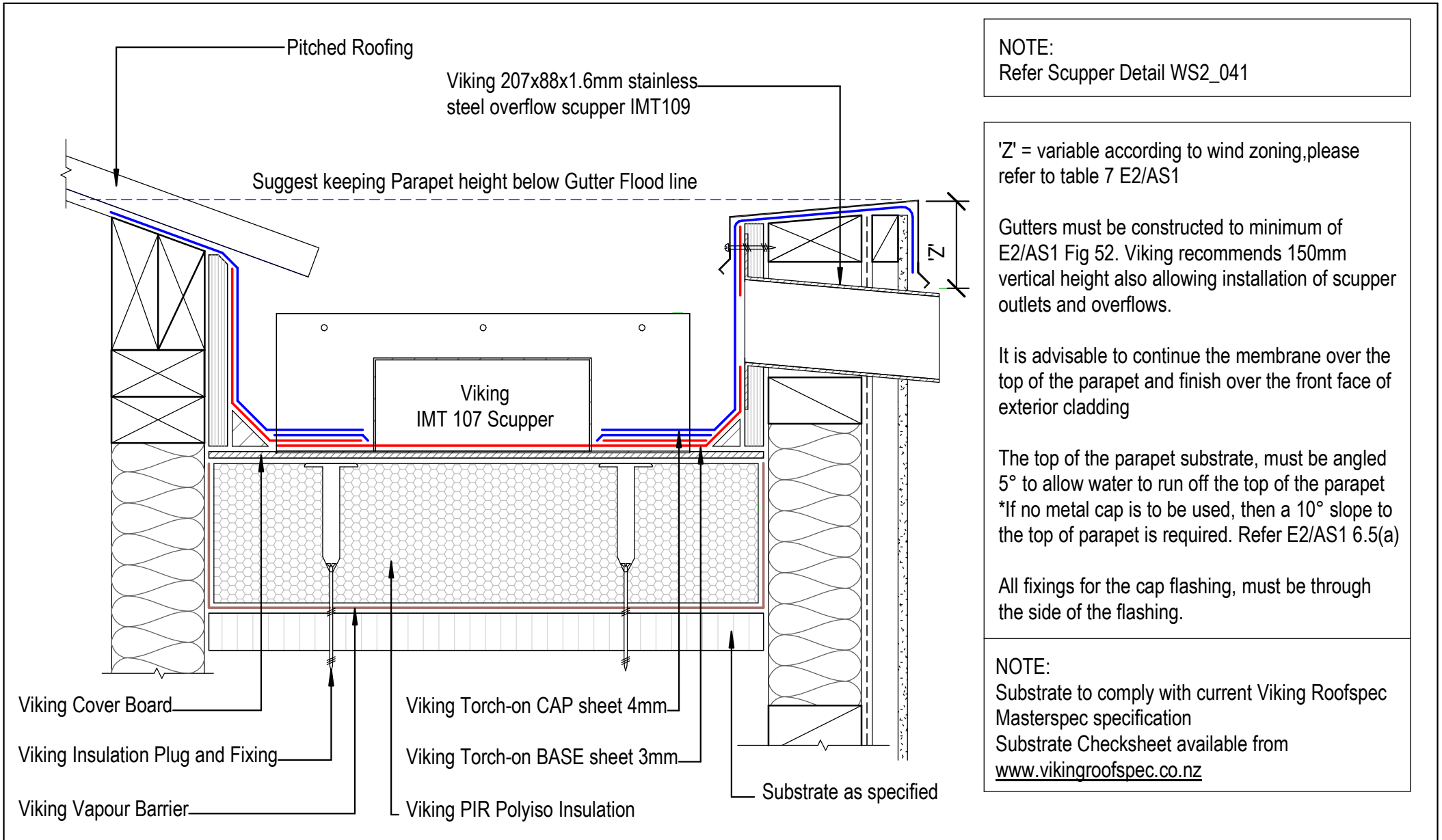
INFORMATION ONLY

Scale:
 Not to Scale

Date:
 01/10/2022

Drawn: Viking

Detail Ref: **VIK_WS2_TOR_070_RJUNUPST**



NOTE:
Refer Scupper Detail WS2_041

'Z' = variable according to wind zoning, please refer to table 7 E2/AS1

Gutters must be constructed to minimum of E2/AS1 Fig 52. Viking recommends 150mm vertical height also allowing installation of scupper outlets and overflows.

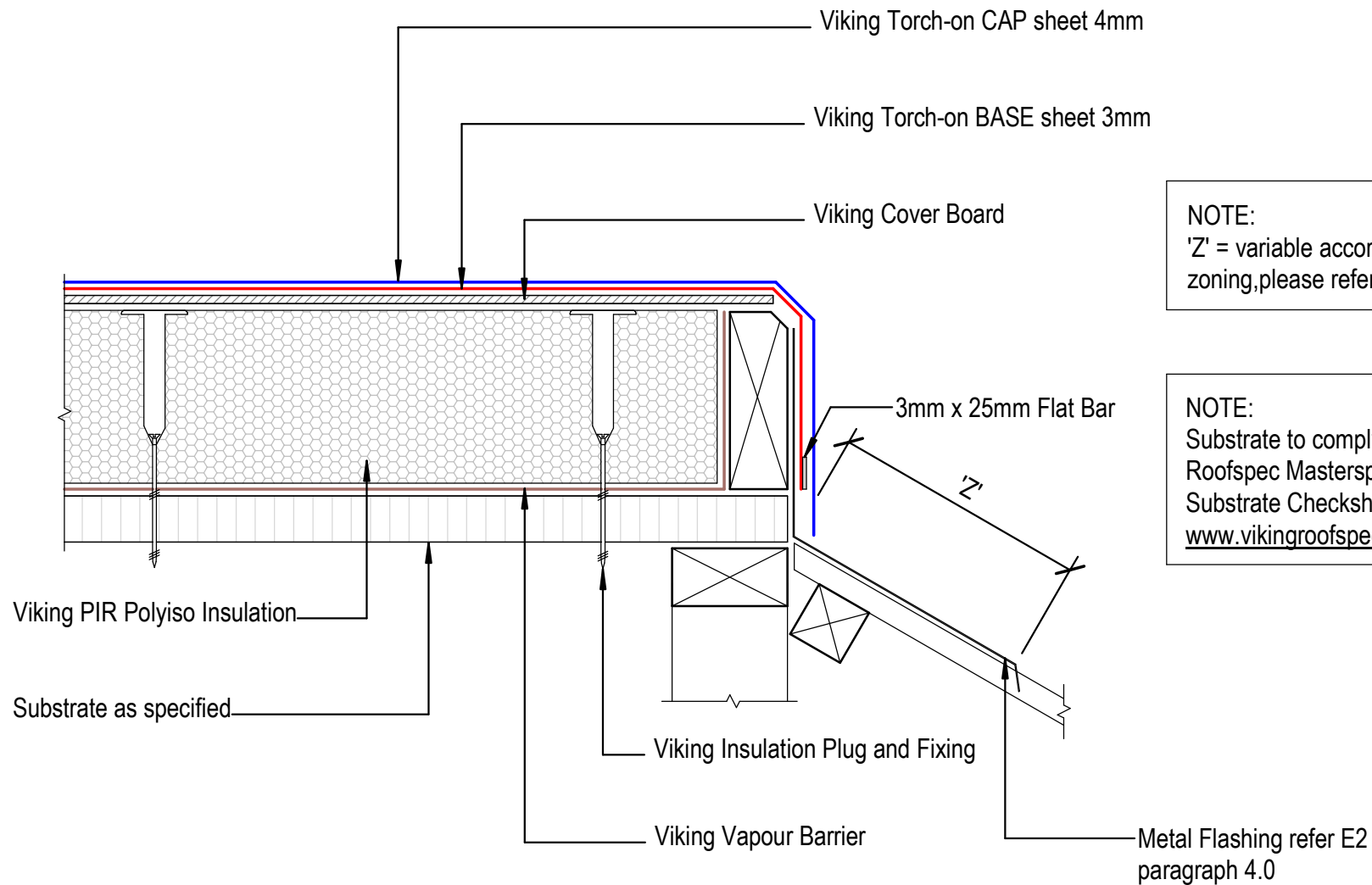
It is advisable to continue the membrane over the top of the parapet and finish over the front face of exterior cladding

The top of the parapet substrate, must be angled 5° to allow water to run off the top of the parapet
*If no metal cap is to be used, then a 10° slope to the top of parapet is required. Refer E2/AS1 6.5(a)

All fixings for the cap flashing, must be through the side of the flashing.

NOTE:
Substrate to comply with current Viking Roofspec Masterspec specification
Substrate Checksheet available from www.vikingroofspec.co.nz

	DRAWING TITLE	NOTES: *Viking Waterproof Membrane as notated can be Viking Gemini, Lybra, Phoenix Super or Halley P. *All details to be read in conjunction with Viking Specifications.	DRAWING STATUS			
	Viking WS2 - Torch-On Roof Junction_Metal Roof to Internal Gutter		INFORMATION ONLY			
			Substrate and structure are indicative only	Scale:	Date:	Drawn:
			Not to Scale	01/10/2022		Detail Ref: VIK_WS2_TOR_072_RJUNGUTI



NOTE:
 'Z' = variable according to wind zoning, please refer to table 7 E2/AS1

NOTE:
 Substrate to comply with current Viking Roofspec Masterspec specification
 Substrate Checksheet available from www.vikingroofspec.co.nz

DRAWING TITLE

Viking WS2 - Torch-On
 Roof Junction_Mansard Verge

NOTES:

*Viking Waterproof Membrane as notated can be Viking Gemini, Lybra, Phoenix Super or Halley P.
 *All details to be read in conjunction with Viking Specifications.

Substrate and structure are indicative only

DRAWING STATUS

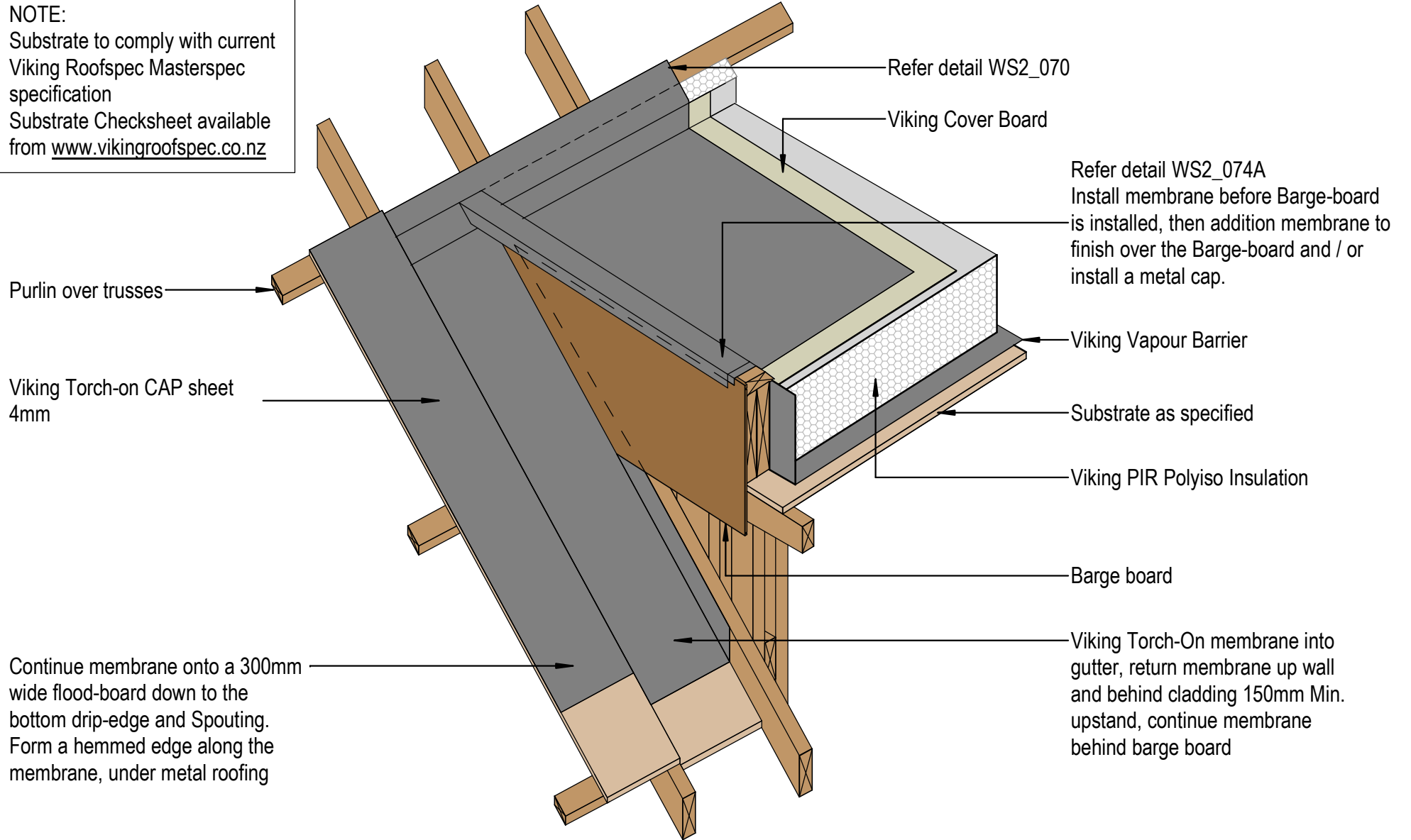
INFORMATION ONLY

Scale: Not to Scale	Date: 01/10/2022	Drawn: Viking
Detail Ref: VIK_WS2_TOR_073_RJUNMANV		



NOTE:

Substrate to comply with current Viking Roofspec Masterspec specification
 Substrate Checksheet available from www.vikingroofspec.co.nz



Purlin over trusses

Viking Torch-on CAP sheet 4mm

Continue membrane onto a 300mm wide flood-board down to the bottom drip-edge and Spouting. Form a hemmed edge along the membrane, under metal roofing

Refer detail WS2_070

Viking Cover Board

Refer detail WS2_074A
 Install membrane before Barge-board is installed, then addition membrane to finish over the Barge-board and / or install a metal cap.

Viking Vapour Barrier

Substrate as specified

Viking PIR Polyiso Insulation

Barge board

Viking Torch-On membrane into gutter, return membrane up wall and behind cladding 150mm Min. upstand, continue membrane behind barge board

DRAWING TITLE

Viking WS2 - Torch-On
 Roof Junction_Dormer ISO

NOTES:

*Viking Waterproof Membrane as notated can be Viking Gemini, Lybra, Phoenix Super or Halley P.
 *All details to be read in conjunction with Viking Specifications.

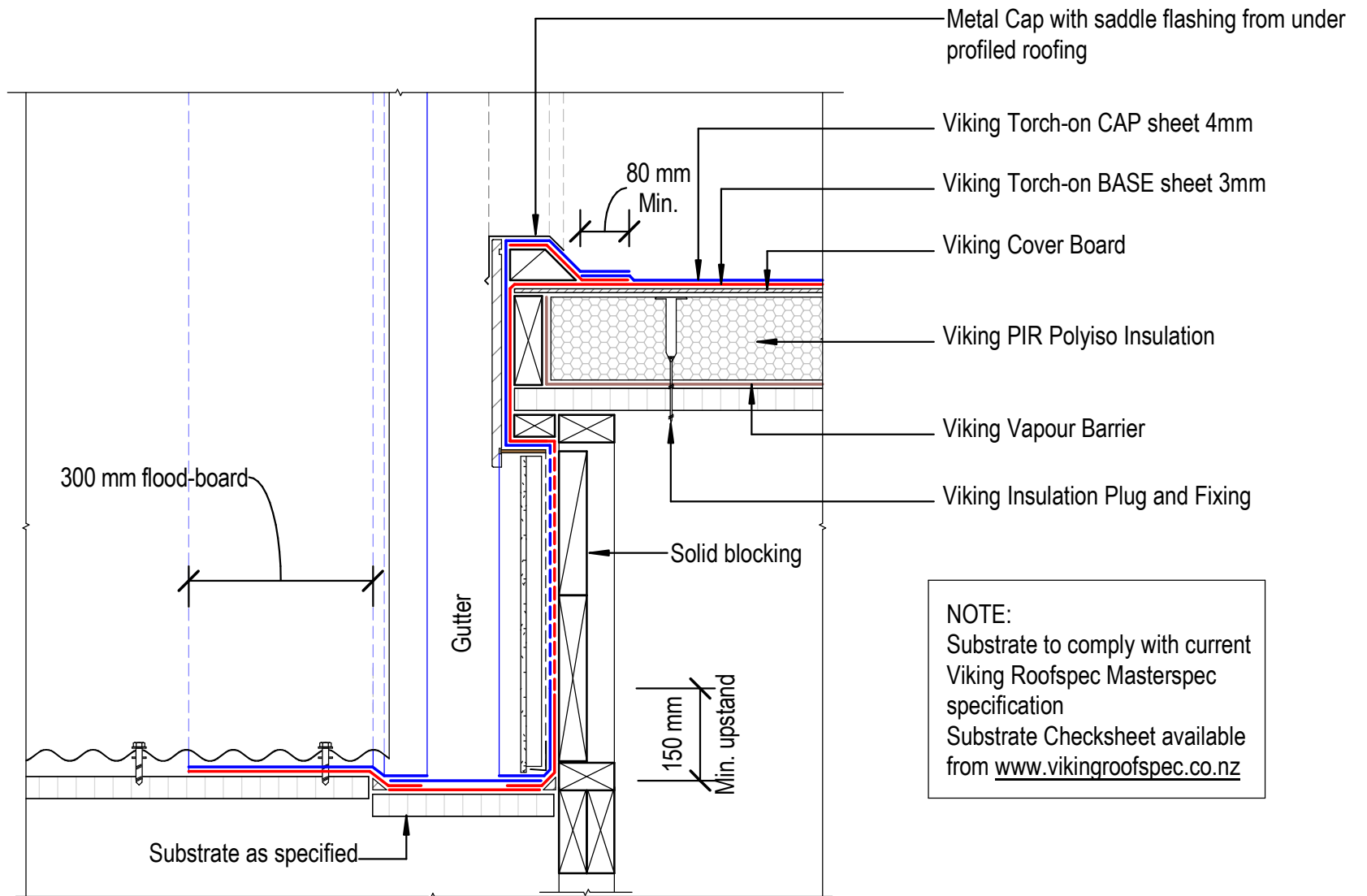
Substrate and structure are indicative only

DRAWING STATUS

INFORMATION ONLY

Scale: Not to Scale	Date: 01/10/2022	Drawn: Viking
Detail Ref: VIK_WS2_TOR_074_RJUNDORM		





NOTE:
 Substrate to comply with current
 Viking Roofspec Masterspec
 specification
 Substrate Checksheet available
 from www.vikingroofspec.co.nz

DRAWING TITLE

Viking WS2 - Torch-On
 Roof Junction_Dormer Gutter

NOTES:

*Viking Waterproof Membrane as notated can be
 Viking Gemini, Lybra, Phoenix Super or Halley P.
 *All details to be read in conjunction with
 Viking Specifications.

Substrate and structure are
 indicative only

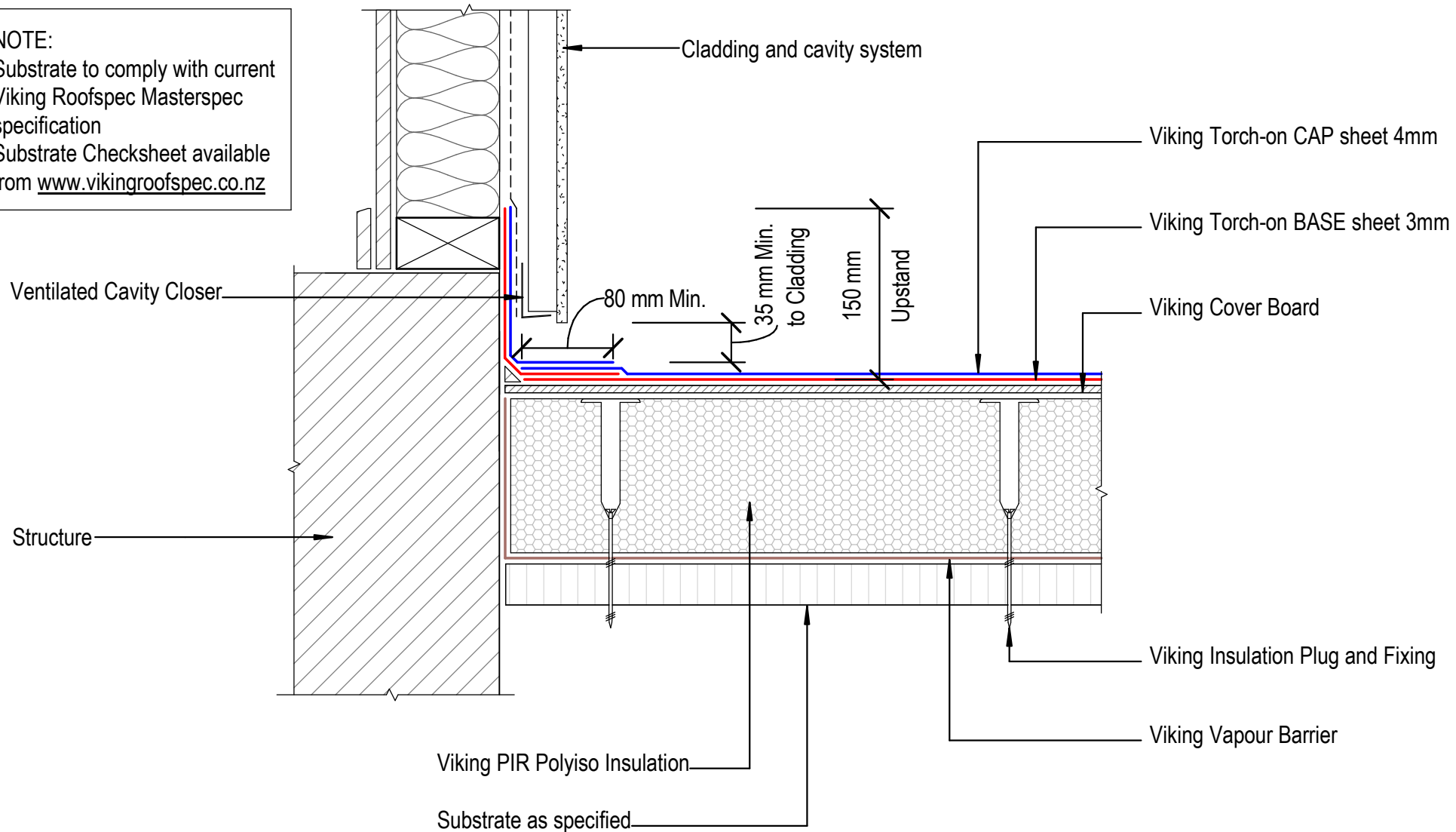
DRAWING STATUS

INFORMATION ONLY

Scale: Not to Scale	Date: 01/10/2022	Drawn: Viking
Detail Ref: VIK_WS2_TOR_074A_RJUNDORM		



NOTE:
 Substrate to comply with current
 Viking Roofspec Masterspec
 specification
 Substrate Checksheet available
 from www.vikingroofspec.co.nz



DRAWING TITLE

Viking WS2 - Torch-On
 Apron_Upstand behind cladding

NOTES:

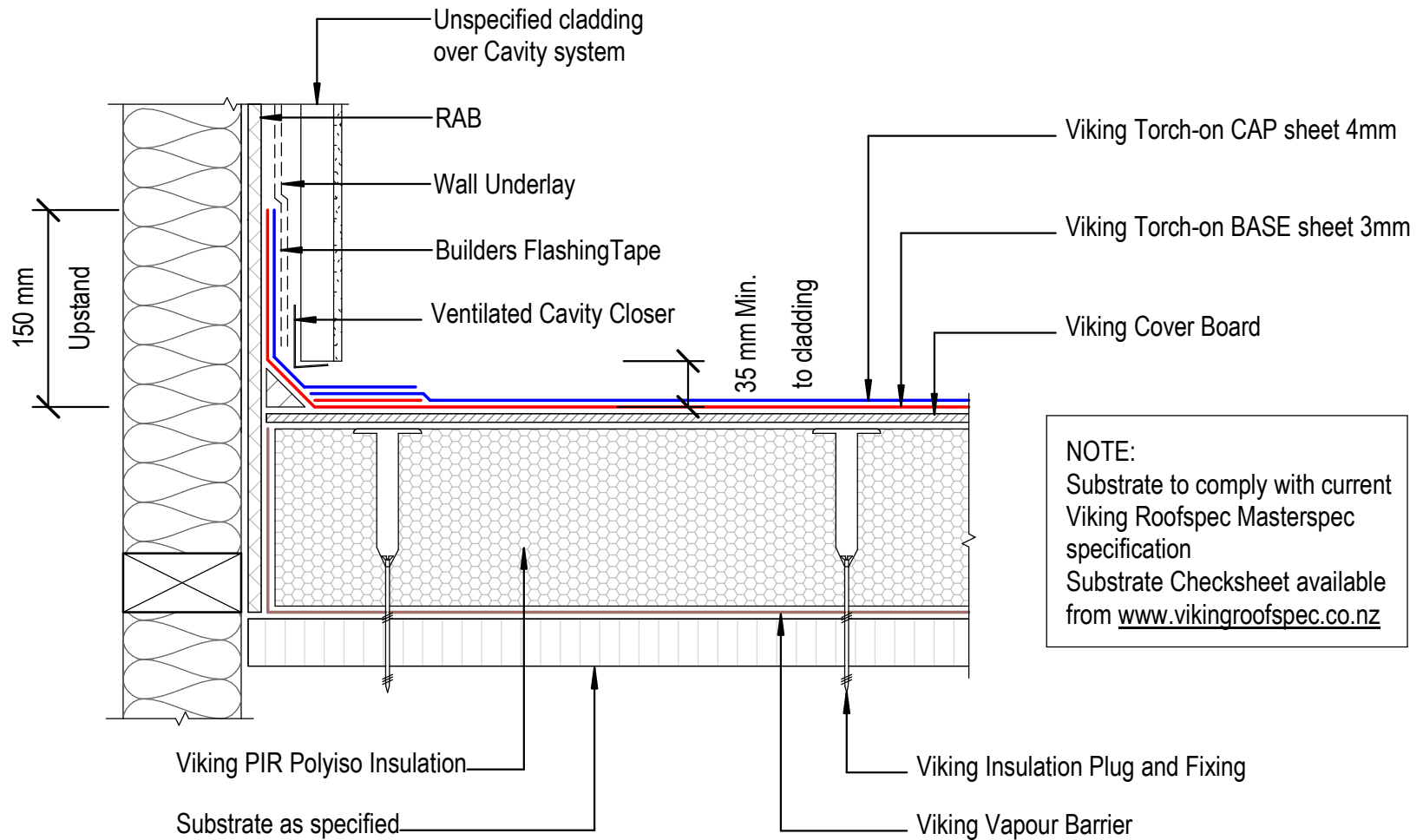
*Viking Waterproof Membrane as notated can be
 Viking Gemini, Lybra, Phoenix Super or Halley P.
 *All details to be read in conjunction with
 Viking Specifications.

Substrate and structure are
 indicative only

DRAWING STATUS

INFORMATION ONLY

Scale: Not to Scale	Date: 01/10/2022	Drawn: Viking
Detail Ref: VIK_WS2_TOR_080_APRNUPST		



NOTE:
 Substrate to comply with current Viking Roofspec Masterspec specification
 Substrate Checksheet available from www.vikingroofspec.co.nz

DRAWING TITLE

Viking WS2 - Torch-On
 Apron_Upstand to RAB behind cladding

NOTES:

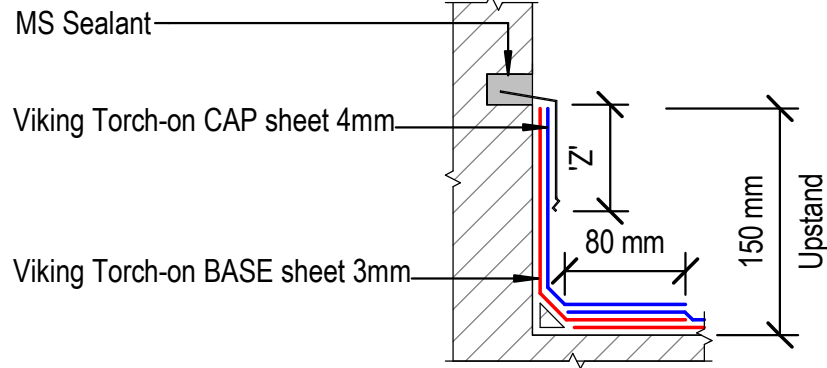
*Viking Waterproof Membrane as notated can be Viking Gemini, Lybra, Phoenix Super or Halley P.
 *All details to be read in conjunction with Viking Specifications.

Substrate and structure are indicative only

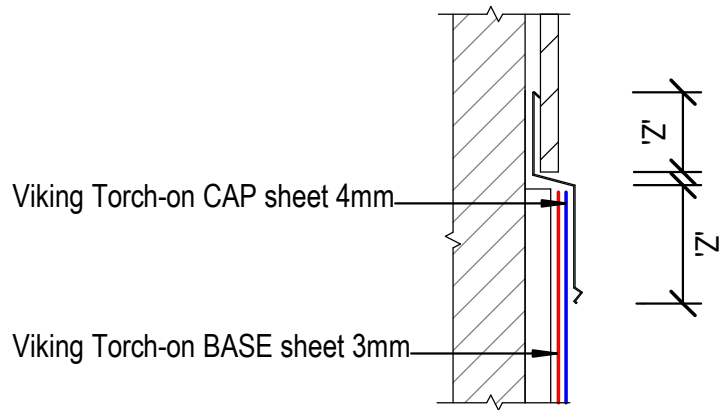
DRAWING STATUS

INFORMATION ONLY

Scale: Not to Scale	Date: 01/10/2022	Drawn: Viking
Detail Ref: VIK_WS2_TOR_080A_APRNURAB		

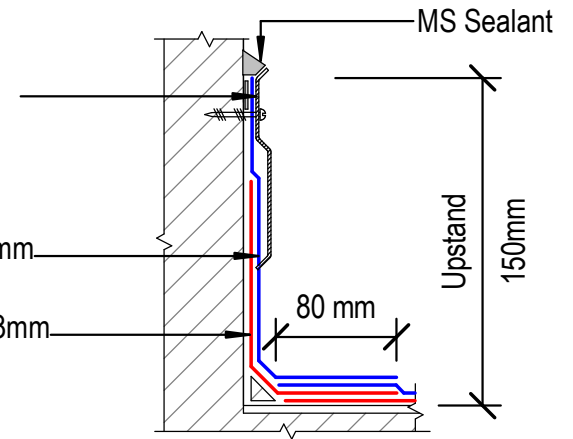


*Chase termination 'A'



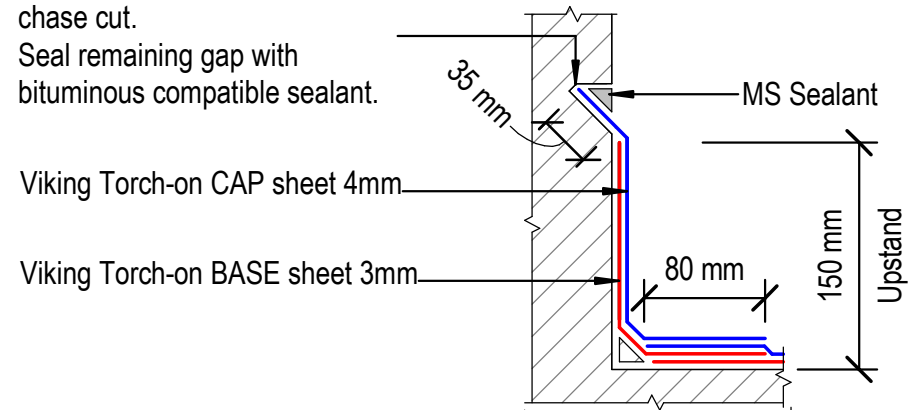
*Apron Flashing termination 'B'

Viking Termination Flashing IMT708 with bitumen sealant SES013 between membrane and wall for a compression seal



*Pressure Bar termination 'C'

Cap sheet pushed into 45° chase cut.
Seal remaining gap with bituminous compatible sealant.



*Chase termination 'D'

NOTES:
'Z' = Variable cover according to wind zone refer table 7 E2/AS1
150mm membrane upstand height where-ever possible

NOTES:
Substrate to comply with current Viking Roofspec Masterspec specification
Substrate Checksheet available from www.vikingroofspec.co.nz

DRAWING TITLE

Viking WS2 - Torch-On
Apron_Upstand terminations without cladding

NOTES:

*Viking Waterproof Membrane as notated can be Viking Gemini, Lybra, Phoenix Super or Halley P.
*All details to be read in conjunction with Viking Specifications.

Substrate and structure are indicative only

DRAWING STATUS

INFORMATION ONLY

Scale: Not to Scale	Date: 01/10/2022	Drawn: Viking
Detail Ref: VIK_WS2_TOR_081_APRNUTER		



Finish Membrane 100mm min. up framing at ends. Width to suit joinery and cladding. Refer E2/AS1 FIG62(b)(d)

Alum joinery as per specific manufacturers requirements.

100 mm
Min.

80 mm
Min.

Viking Torch-on CAP sheet 4mm

Viking Torch-on BASE sheet 3mm

NOTE:
Substrate to comply with current Viking Roofspec Masterspec specification
Substrate Checksheet available from www.vikingroofspec.co.nz

Viking PIR Polyiso Insulation

Viking Insulation Plug and Fixing

Substrate as specified

Viking Vapour Barrier

DRAWING TITLE

Viking WS2 - Torch-On
Threshold_Window

NOTES:

*Viking Waterproof Membrane as notated can be Viking Gemini, Lybra, Phoenix Super or Halley P.
*All details to be read in conjunction with Viking Specifications.

Substrate and structure are indicative only

DRAWING STATUS

INFORMATION ONLY

Scale:
Not to Scale

Date:
01/10/2022

Drawn: Viking

Detail Ref: **VIK_WS2_TOR_091_WINDTHRS**