

SunTUF EZ Glaze™



INSTALLATION GUIDE

VERSION 2.0 | OCTOBER 2024



TABLE OF CONTENTS

1.0	GENERAL INFORMATION	1
1.1	Introduction	1
1.2	Important Documents	1
1.3	Controlled Documents	1
2.0	DESIGN	1
2.1	Building Consent Application	1
2.2	Specification	1
2.3	Product Substitution	1
3.0	PLAN THE LAYOUT	1
4.0	PREPARATION	3
4.1	Safety and Tools	3
4.2	Handling and Storage	3
4.3	Apply Noise Reduction Tape	3
4.4	Cut EZ Glaze	4
5.0	INSTALLATION	4
5.1	Install EZ Glaze	4
5.2	Quality Assurance	5
6.0	CARE AND MAINTENANCE	5
6.1	Frequency of Maintenance	5
6.2	Cleaning Guidance	5

1.0 GENERAL INFORMATION

1.1 Introduction

Suntuf EZ Glaze (EZ Glaze) is a polycarbonate roofing system with a glass-like finish. Featuring a profiled rafter-fit design, the panels have ribs that are overlapped and screw-fixed to the supporting rafters.

The panels are 3mm thick and 673mm wide. PSP supplies EZ Glaze in the following lengths: 2400mm, 3600mm, 4800mm.

Refer to the manufacturer's data sheet for more info: [SUNTUF® EZ GLAZE-50-LP-AU-Data Sheet](#).

1.2 Important Documents

In addition to this guide, PSP also supply the following documents to assist with EZ Glaze specification, installation, and maintenance:

- The Minor Variation form (where a consented product is to be substituted with EZ Glaze)
- The BPIR Declaration
- Warranty - refer to PSP Terms & Conditions [Paragraph 16. Warranties and Liability](#)

1.3 Controlled Documents

All documents are controlled. It is important to ensure that the current documents are always used. For documents, refer to www.psp.co.nz.

2.0 DESIGN

2.1 Building Consent Application

Where the specification of EZ Glaze is part of a building consent application, the following documentation must be submitted:

- This Installation Guide
- The BPIR Declaration

2.2 Specification

EZ Glaze is intended as an exterior roofing system for open-sided porches, verandas, or free-standing structures.

Supporting Structure

Ensure that the timber framing has the equivalent stiffness to the framing provisions specified in Section 9 in [NZS 3604:2011](#). Timber rafters must be 40-50mm in width, installed at 600mm centres, and founded on a structure that complies with the NZBC (New Zealand Building Code).

For general guidance, refer to [BRANZ Build 155](#) [Aug/Sept 2016] Veranda design and construction

EZ Glaze Installation

The installation of EZ Glaze panels and its proprietary fixings should be done in accordance with this installation guide.

2.3 Product Substitution

EZ Glaze can be used as a substitute for other consented roofing products provided that:

- a. The supporting structure has rafters (40-50mm width) at 600mm centres.
- b. The roof has a minimum pitch of 5 degrees.
- c. The roofing system is over open-sided areas where full weather tightness is not required.

Where EZ Glaze is to be used as a substitute for the consented product, the following documentation must be supplied to the building inspector before the installation of the EZ Glaze:

- The Minor Variation Form
- This Installation Guide
- The BPIR Declaration

3.0 PLAN THE LAYOUT

Planning the layout at the beginning of the project will ensure that the final installation of your EZ Glaze roof will be the desired outcome. It will also ensure less wastage and faster installation.

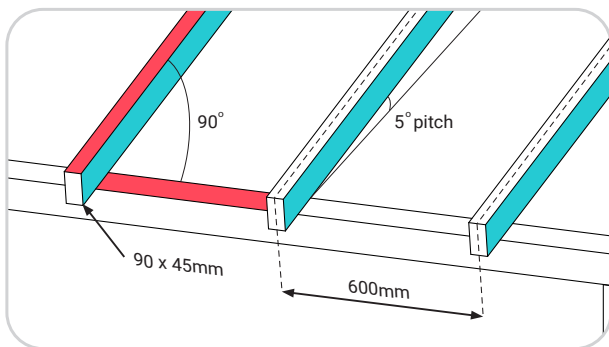
STEP 1: Plan the Roof Layout and Structure

Plan the roof layout, ensuring the supporting structure complies with NZBC.

Note: If the area of your veranda/porch is more than 20m², refer to [Section 6.3](#) at [building.govt.nz](#) or consult an LBP (Licenced Building Practitioner).

Confirm that all new/existing rafters are:

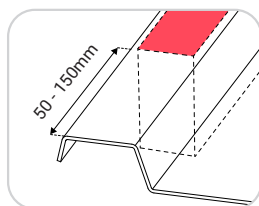
- Timber framing, 40-50mm in width.
- >50mm higher than the beams (a build-up member may be required for existing rafters).
- Spaced at 600mm centres.
- At a minimum pitch of 5 degrees.
- Perpendicular to the support beams. Use a spirit level to check the beams are level.
- All running parallel to each other.



STEP 2: Preparing the EZ Glaze Panels

Determine the size and quantity of EZ Glaze panels for your roofing project by taking into account the rafter lengths and roof layout.

When cutting the EZ Glaze panels to length, please note that an overhang of 50-150mm past the end of the rafter is required.



Note: The final panel may require a longitudinal cut where it terminates (refer to Detail C in Step 4).

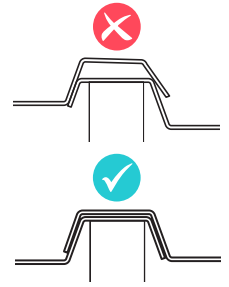
STEP 3: Preparing Roofing Components

Determine the quantity of PSP Suntuf Roof Fixings (boxes of 50) required based on the length and number of rafters in the roof layout.

PSP Noise Reduction Tape (2500mm rolls) is used to line the top of each rafter. Calculate the number of rolls required by multiplying the length of a single rafter by the total number of rafters.

STEP 4: Panel Orientation

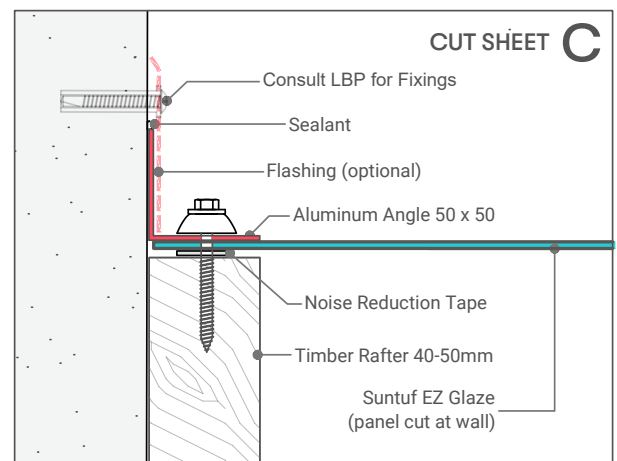
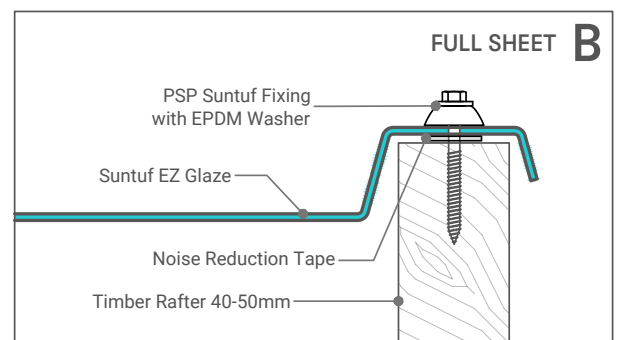
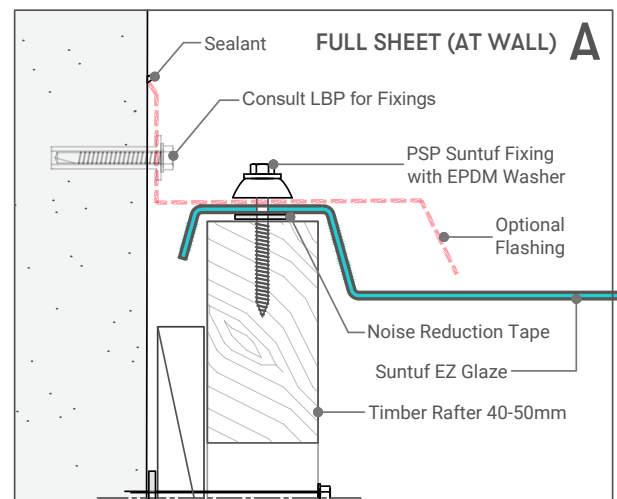
The panel must be placed in the correct orientation to ensure that the overlapping rib fits snugly over the underlapping rib of the previous panel when installed on the rafter.



STEP 5: Junctions and Terminations

Refer to the typical details A, B, C, for potential junctions of your EZ Glaze roof.

Tip: As a DIY solution, PSP recommends planning a layout with full panels (B) to avoid fixing through a finished wall. If required, refer to the details A and C when consulting an LBP for advice.



4.0 PREPARATION

4.1 Safety and Tools

Keep Safe

Follow simple health and safety practices:

- Create a safe working environment that is well organised, tidy, and clear of obstructions.
- Always ensure PPE is worn (eye protection, gloves, dust mask, and safety footwear).
- Always operate tools and equipment strictly in accordance with the supplier's manuals.
- Regularly service tools and equipment to ensure efficient and correct operation.
- Where possible, work in an area that is well ventilated or where mechanical dust extraction is possible. This is especially important if cutting or drilling.
- Where working at height, ensure the correct selection and use of safety gear.
- An electrician may be required where there is risk of touch voltage.

For further information, refer to resources at www.worksafe.govt.nz:

- Managing Health and Safety.
- Small Construction Sites, The Absolutely Essential Health and Safety Toolkit.

Skills and Tools

Competent DIYer skills and standard carpentry tools are required to install EZ Glaze. The following tools will help to simplify installation:

- Safety Glasses
- Circular Saw / Jigsaw
- Spirit Level
- Carpenter Square
- Tape Measure
- Ladder
- Drill + 10mm Drill Bit
- Screw Driver

Additional Products

To install EZ Glaze, the following products may be required:

- **NOISE REDUCTION (FOAM) TAPE** - Helps to reduce the friction and creaking noise caused by thermal expansion. Supplied in 2500mm rolls; 24mm width, 3mm thickness.
- **PSP SUNTUF 55MM ROOF FIXINGS WITH EPDM WASHERS** - Stainless steel fixings designed for timber framing and suitable for use in coastal and corrosive environments. Supplied in boxes of 50 screws.

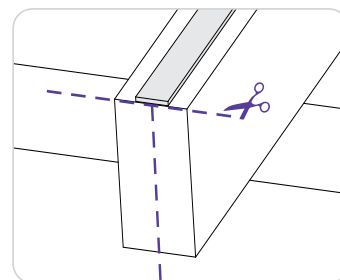
4.2 Handling and Storage

- Take care when transporting, handling, and storing EZ Glaze to prevent damage.
- Cover in a well-ventilated area out of direct sunlight or other heat sources.
- Store at least 150mm off the ground, slightly sloped to prevent ponding on panel faces.
- EZ Glaze panels are supplied with a protective film. Do not remove this prior to installation.

4.3 Apply Noise Reduction Tape

Before applying the Noise Reduction Tape, verify that all the rafters are spaced 600mm apart and fixed perpendicular to the support beams.

Check that any existing timber framing is free from rot and fixings show no sign of corrosion.



Align and apply the Noise Reduction Tape with the centre of each rafter and trim flush with the edge of the timber.

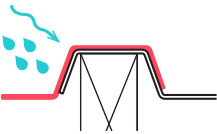
4.4 Cut EZ Glaze

Measure twice, cut once. EZ Glaze panels may be cut with a jigsaw or circular saw; use a fine-toothed blade for clean cuts and to prevent chipping. Take care to ensure your cuts are straight.

Tip: Support the length of the panel properly when cutting to avoid bending or cracking.

5.0 INSTALLATION

5.1 Install EZ Glaze



Before beginning installation, determine the predominant wind/rain direction. This will guide whether your EZ Glaze installation should begin from the left or right side of the roof layout. Ensure the panels lap over to deflect the wind and rain.

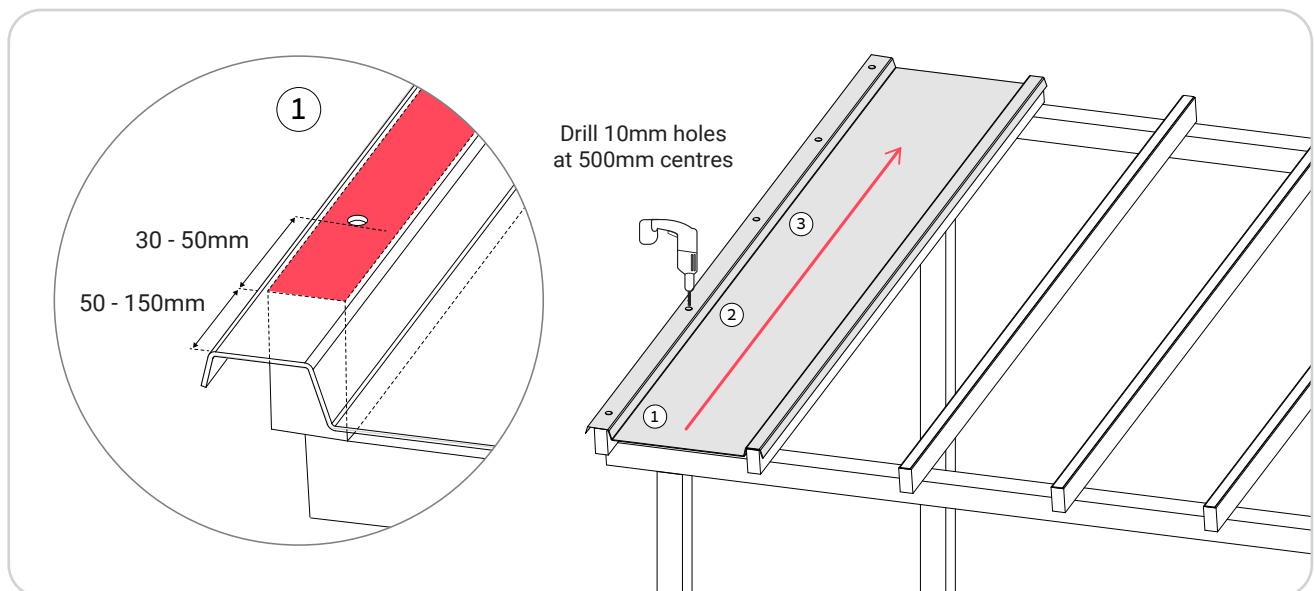
STEP 1

Position the first panel, allowing a 50-150mm overhang past the edge of the rafter.

STEP 2

Measure and mark drill holes on the outer rib of the panel. Mark the first hole 30-50mm from the end of the rafter. Drill through the panel using a 10mm drill bit. Take care not to penetrate the drill bit through the timber. Continue up the roof pitch, marking and drilling every 500mm along the length of the rib.

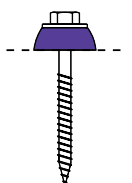
Note: Do not predrill the inner rib, as this will be done together with the next overlapping panel.



STEP 3

Set the PSP Suntuf 55mm Roof Fixing in the centre of predrilled holes of the EZ Glaze. Drive the screw at 90° into the rafter. Begin fastening from the lowest point of the sloped roof and work your way up.

Note: Be careful not to overdrive the screws, as this can cause the EPDM washer to over-flatten.

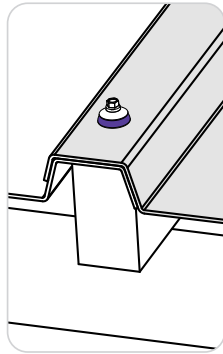


STEP 4

Peel off the top protective film (printed side).

STEP 5

Place the overlapping rib of the next panel on top of the previous panel's rib. Slide it up the rafter until it aligns with the edge of the first panel. Hold the panel in place as you drill through the overlapped panels at the positions specified in Step 2.



Tip: From the second panel onwards, fix the first screw immediately after predrilling the first hole. This will prevent the sheets from shifting and misaligning as you drill subsequent holes.

STEP 6

Repeat Steps 2 - 4 until the roof is fully covered.

STEP 7

Peel off the protective film on the under-side of all the panels to complete your EZ Glaze installation.

Refer to Manufacturer's Video

▶ WATCH: [How to Install EZ Glaze™](#)

5.2 Quality Assurance

Ensure the installation meets high quality standards and complies with NZBC. Check that the materials and workmanship are approved for durability and compliance. If unsure, please contact PSP.

6.0 CARE AND MAINTENANCE

CAUTION: Do not step directly on a EZ Glaze panels between the rafters during maintenance work. Use crawl boards supported by a minimum of three roof structural elements.

6.1 Frequency of Maintenance

Clean the panels at least twice a year to remove accumulated dust and dirt. In areas exposed to extreme weather conditions, more frequent cleaning may be necessary.

6.2 Cleaning Guidance

For hose or water blaster cleaning, ensure that the water blaster nozzle is held at least 500mm from the panel.

For hand cleaning, use a soft sponge or cloth dampened with lukewarm water and a mild dishwashing detergent.

Note: Do not use abrasive substances or high alkaline cleaners. Always test cleaners in a small inconspicuous area before cleaning the entire panel.

Tip: Clean your roof with [30 SECONDS® Roof & Awning Cleaner](#) for an easy spray-on, no scrub, no rinse solution.