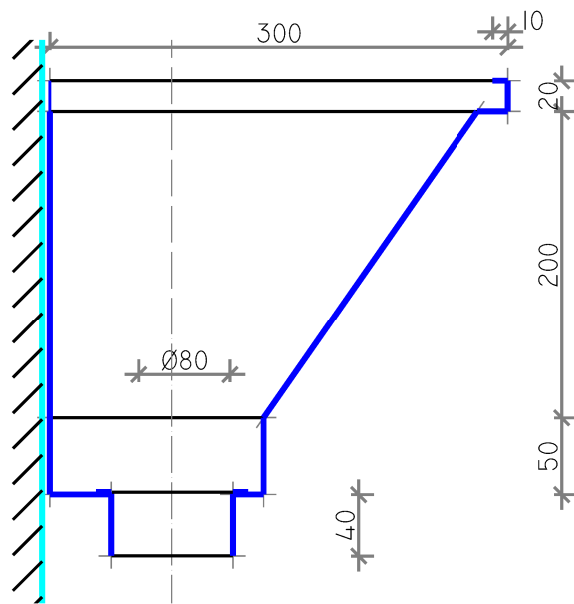
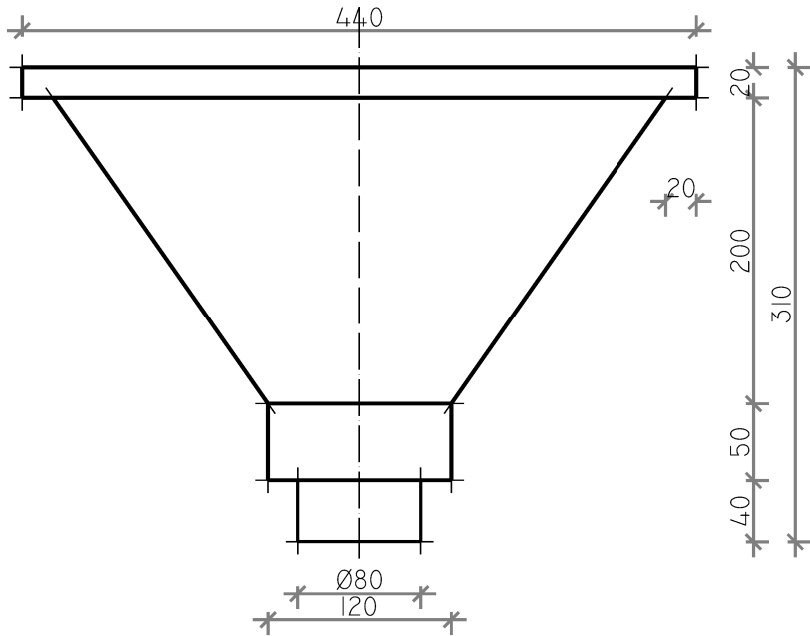


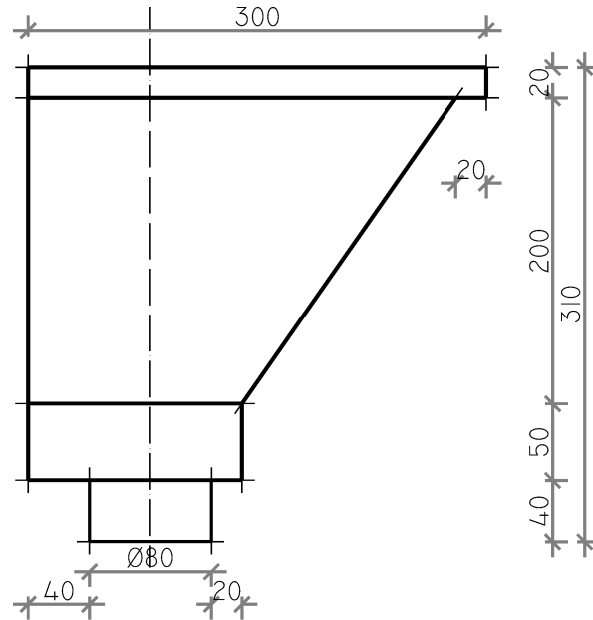
PLAN VIEW



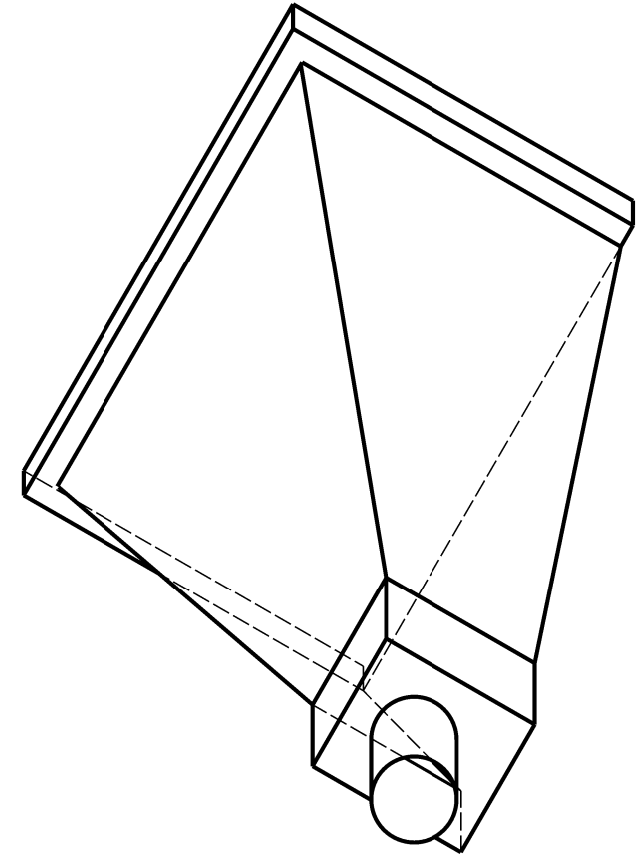
SECTION



FRONT VIEW



SIDE VIEW



ISOMETRIC VIEW