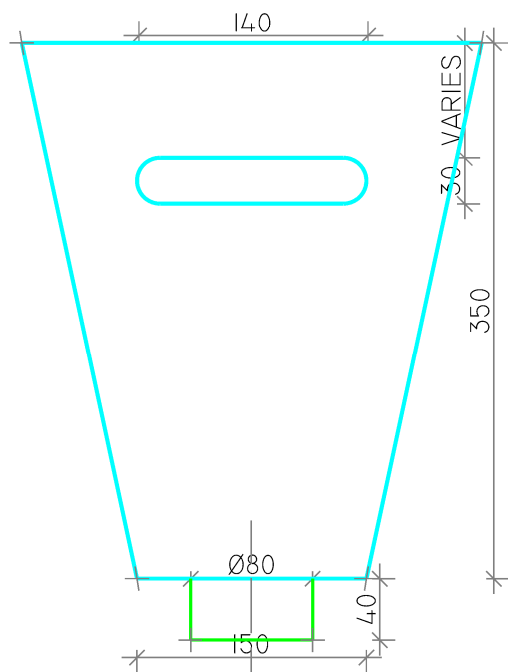
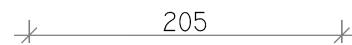
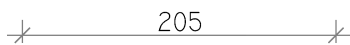
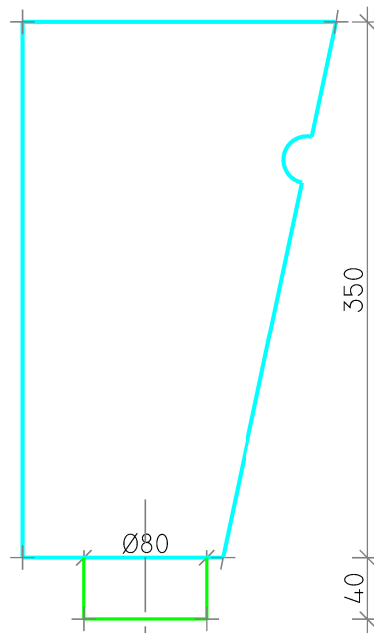


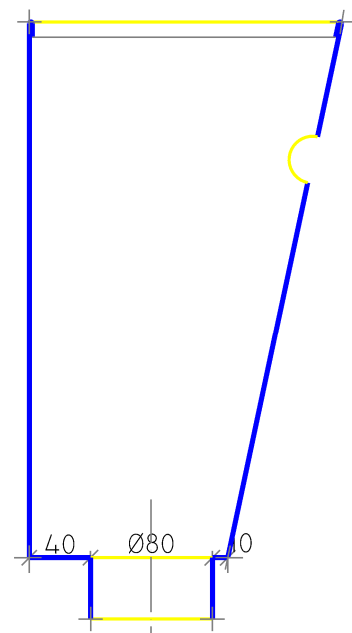
PLAN VIEW



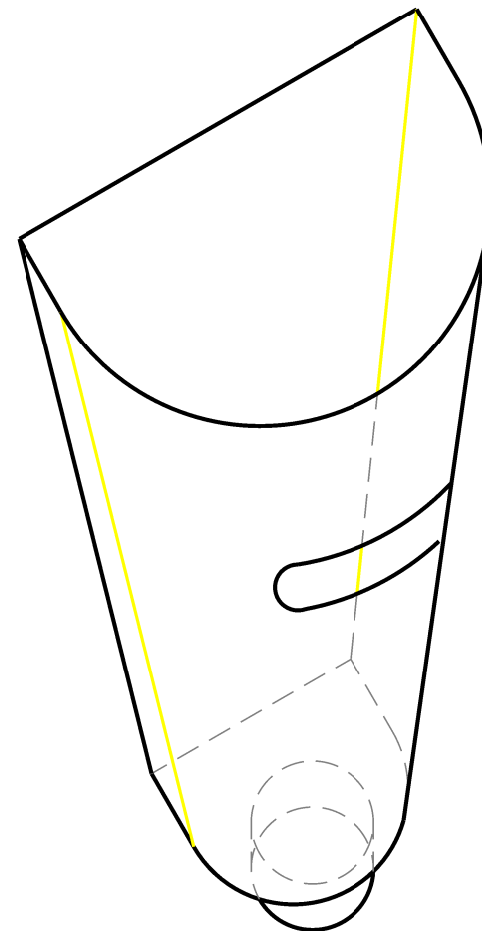
FRONT VIEW



SIDE VIEW



SECTION



ISOMETRIC VIEW