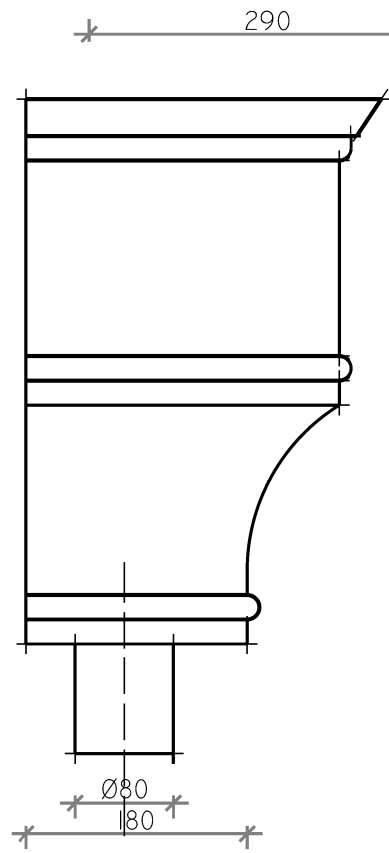
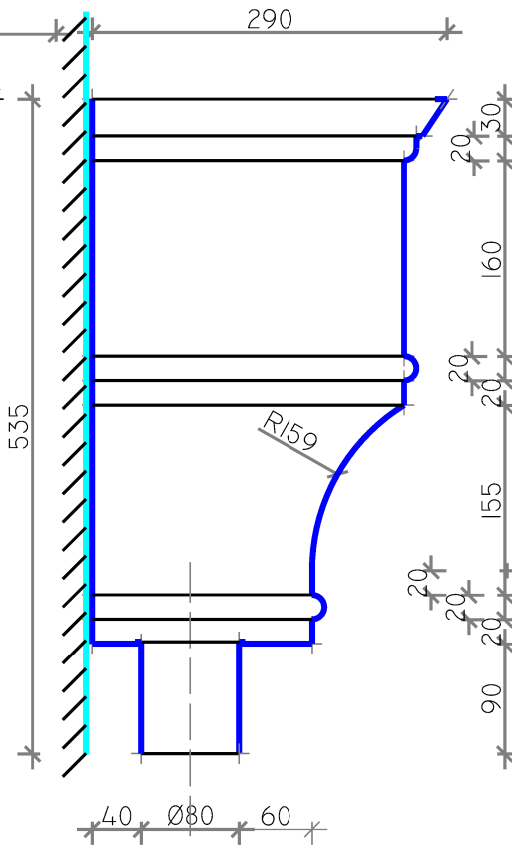


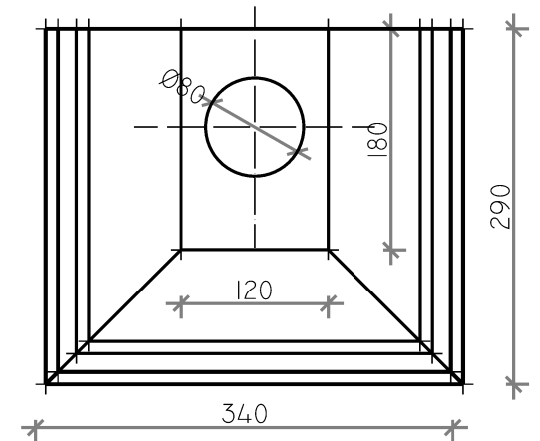
FRONT VIEW



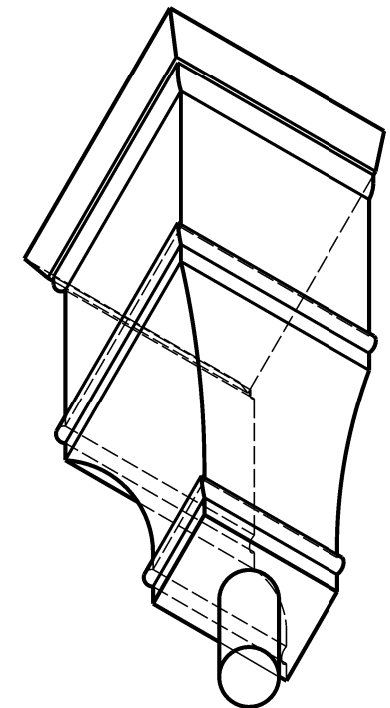
SIDE VIEW



SECTION



PLAN VIEW



ISOMETRIC VIEW