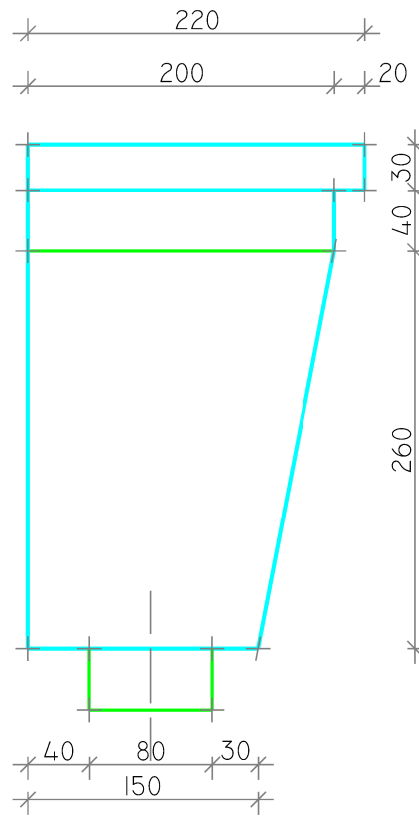
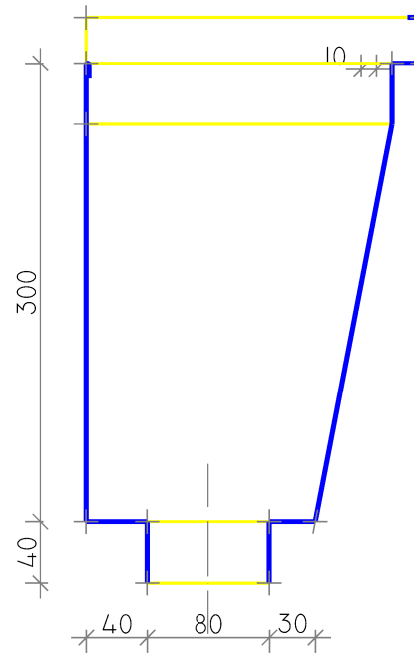


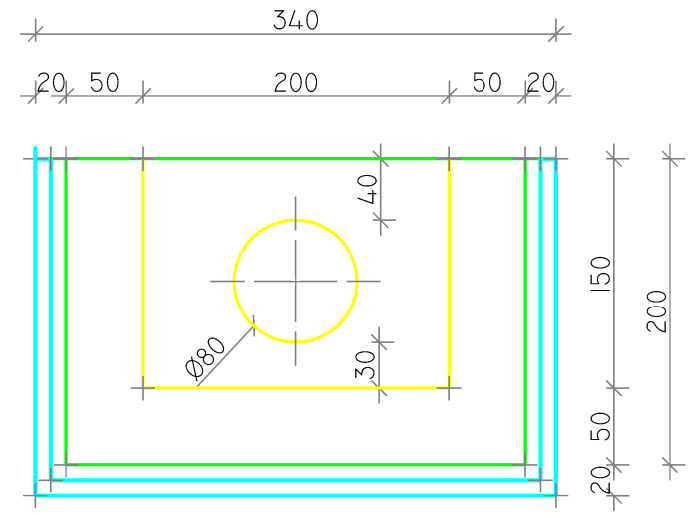
FRONT VIEW



SIDE VIEW



SECTION



PLAN VIEW

