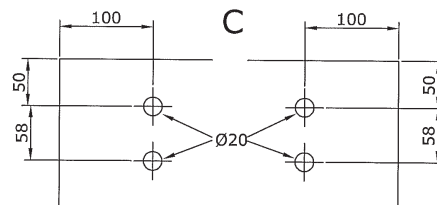
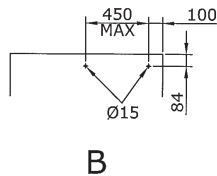
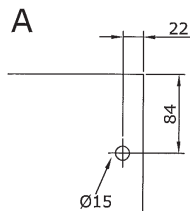
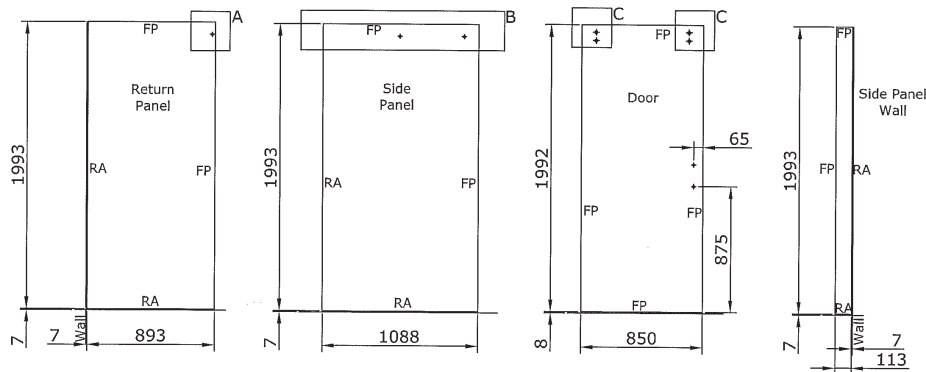
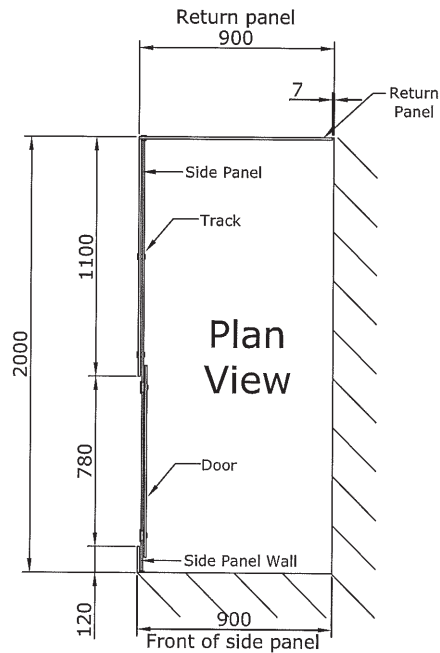
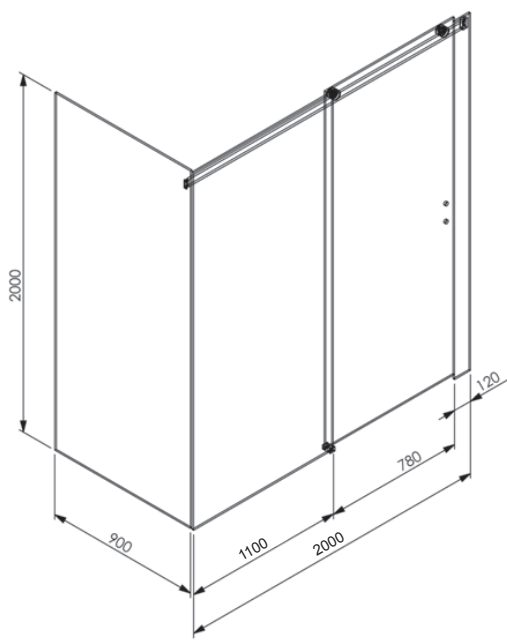


Set Out Details

SHOWER SETOUT EXAMPLES

Sliding Shower OTR-2000 Glass To Wall - 2 Side Panel



Hardware List

- 1 x OTR2000 Sliding Door Kit
- CS18 Channel - sold separately
- AS6 Water Bar - sold separately
- CS18 End Cap - sold separately
- 1 x Handle or Knob, Customers Selection
- Allow holes for handle or knob - sold separately

Note

Cut channel on side panel, less 20mm to allow door guide to clamp to glass at bottom of side panel.
Clear opening 695mm - subject to handle type.
Max door weight 45kgs.

Ex Auckland Store. All prices exclude G.S.T.