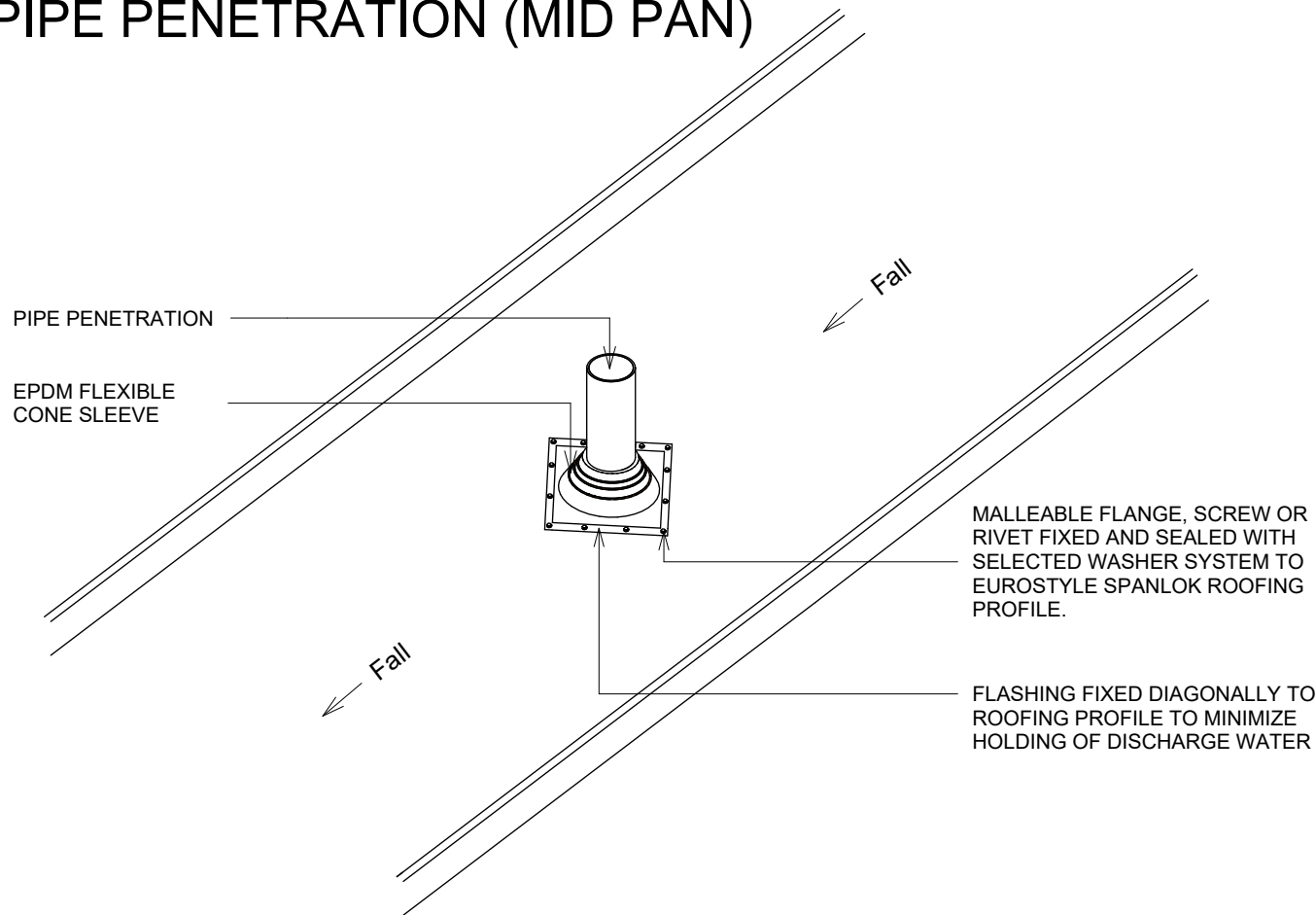


# EUROSTYLE SPANLOK® VARIABLE PAN(VP) ROOFING ON PURLINS PIPE PENETRATION (MID PAN)

Detail Number: RI-ESVPRRPUR-160A

Date drawn: 03/04/2025

Scale: 1 : 10@ A4



## DETAIL ANNOTATION:

1. INDICATIVE STRUCTURE SHOWN FOR ILLUSTRATION PURPOSES ONLY
2. CONFIRMATION REQUIRED OF THICKNESS AND COATING TO CLADDING/FLASHING
3. REFER TO PROFILE TECHNICAL SUMMARY FOR FIXING REQUIREMENTS
4. SUITABLE FOR PIPES UP TO 85mm DIAMETER
5. MAX ROOF PITCH FOR FLASHING IS 45°, MINIMUM PITCH IS 10° IF BASE OF FLANGE COVERS ONE OR MORE COMPLETE TROUGHS.
6. WHERE THE BASE OF A BOOT DOES NOT OBSTRUCT A PAN IT CAN BE DIRECT-FIXED TO THE MINIMUM PITCH FOR THAT PROFILE.
7. WHERE OVERALL WIDTH IS NOT A CONSTRAINT, DIRECTLY FIXED BOOT FLASHINGS SHOULD BE INSTALLED WITH THEIR EDGES DIAGONAL TO THE FALL OF WATER. WHERE THIS IS NOT PRACTICAL, THEY MAY BE LAID SQUARE AT PITCHES OF 10° OR MORE.
8. REFER TO NZ METAL ROOF AND WALL CLADDING CODE OF PRACTICE V3.0

## GENERAL NOTES:

- These details are to be read with Roofing Industries SPANLOK® Product Technical Statement and installation guide.
- These details are generally in compliance with E2/AS1 and/or the NZ Metal Roof & Wall Cladding Code of Practice and in some cases specific details by 'Roofing Industries'.
- The building designer is ultimately responsible to ensure that details used meet the requirements of the NZ Building Code for the specific project.
- Details of the supporting structure including cavity battens are indicative only and are the responsibility of the building designer. For steel framed buildings thermal break cavity battens may be required.
- Roof/wall underlay selection are the responsibility of the designer. Underlay to be installed in accordance with underlay manufacturer's recommendations and requirements.
- These details are for Roofing Industries profile/s as nominated and may not be applicable to other profiles.
- This drawing is the copyright of 'Roofing Industries' and can only be copied or reproduced with their permission.
- Further information can be obtained from the NZ Metal Roof & Wall Cladding Code of Practice: [www.metalroofing.org.nz](http://www.metalroofing.org.nz) or E2/AS1.
- Details are for steel based materials, other substrates may require some changes.
- All dimensions are nominal.



interactive assembly  
instructions available

Copyright detail © 2025

<http://wksp.nz/ri-esl-bar>



Get **WORKINGSPEC** from  
Apple App Store/Google Play

