

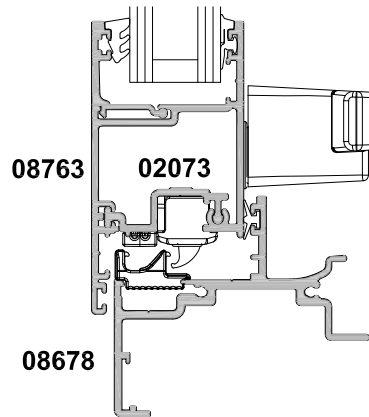
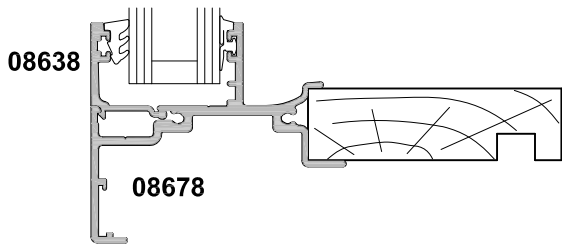
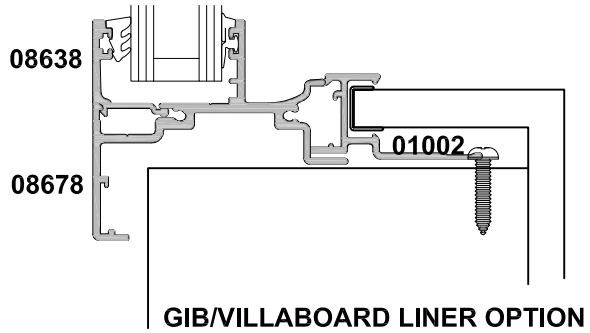
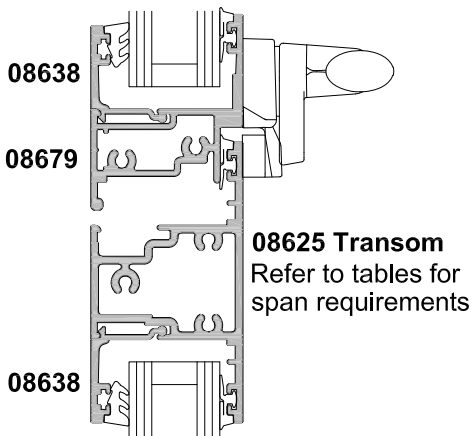
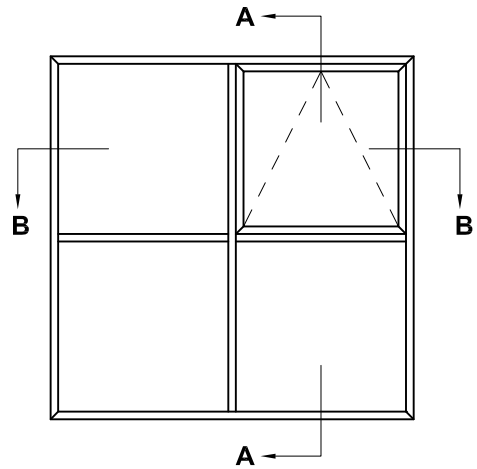
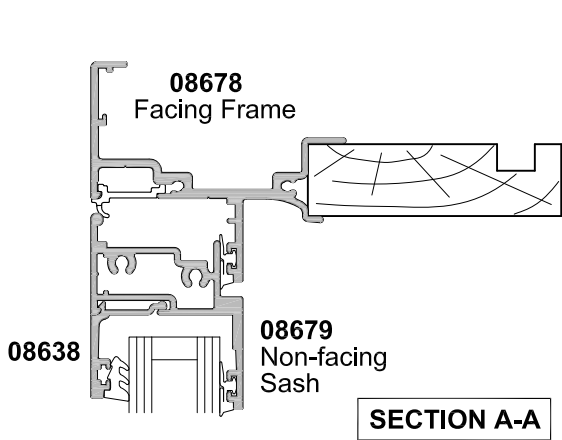


**METRO SERIES
AWNING WINDOW
ESPAGNOLETTE SASH OPTION
CROSS SECTION**

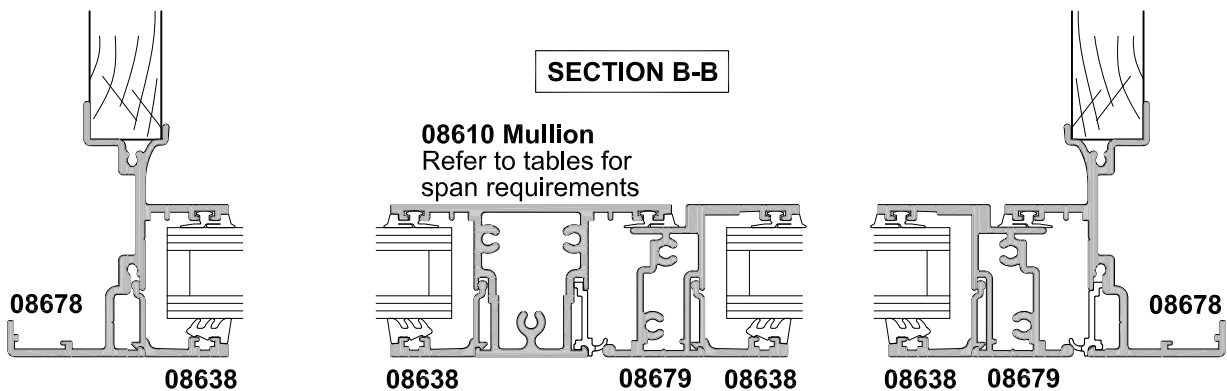
CAD REF. VMAW01-0

DATE
01.06.18

SCALE
1:2



ESPAGNOLETTE SASH OPTION



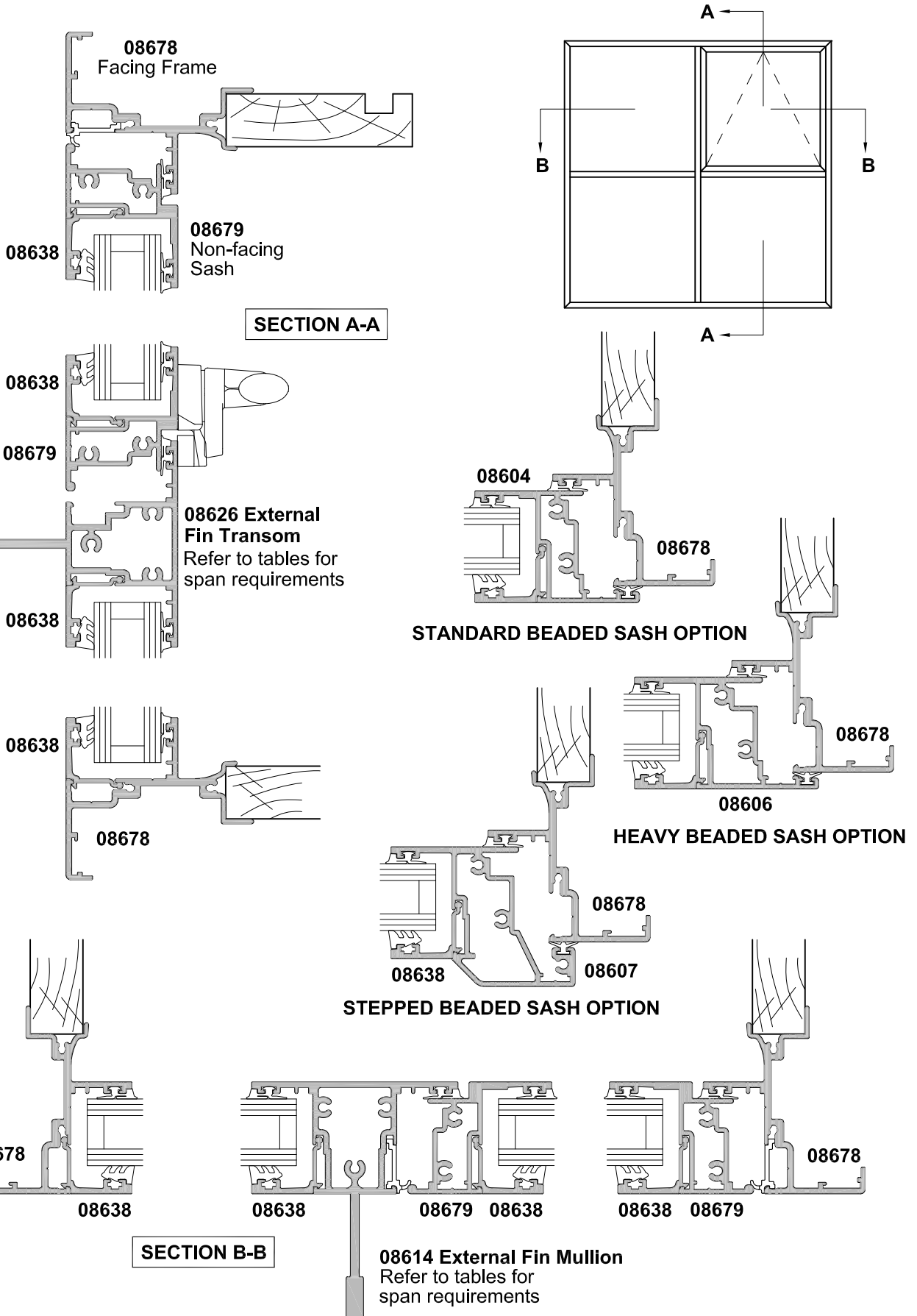


**METRO SERIES
AWNING WINDOW
EXTERNAL FIN MULLION / TRANSOM
CROSS SECTION**

CAD REF. VMAW02-0

DATE
01.06.11

SCALE
1:2



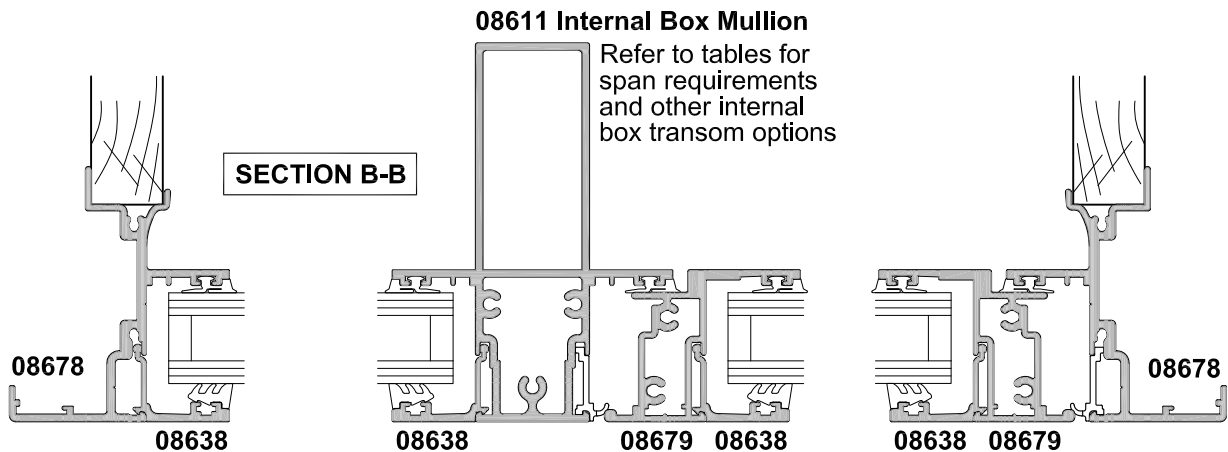
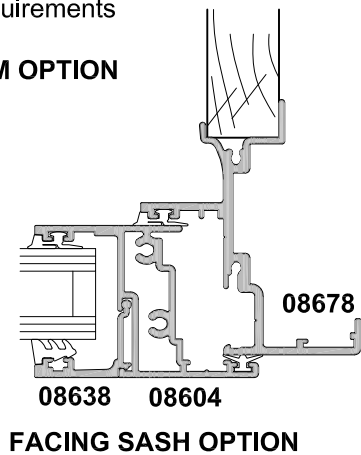
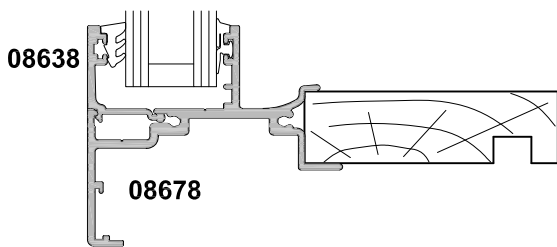
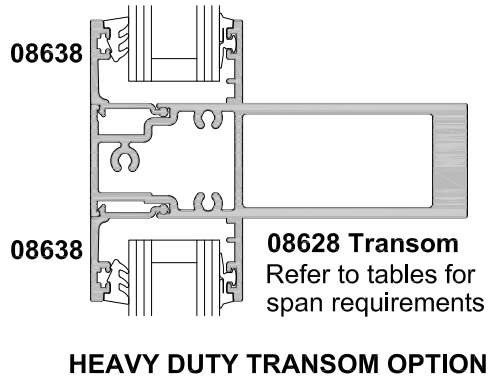
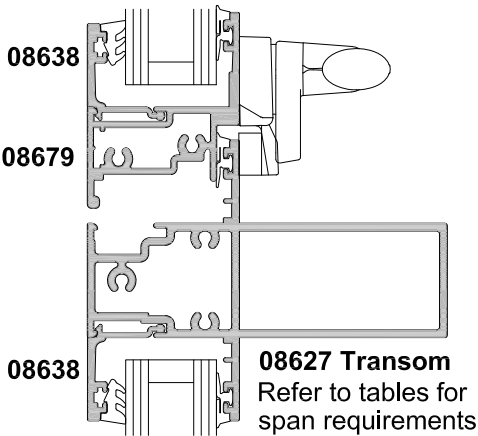
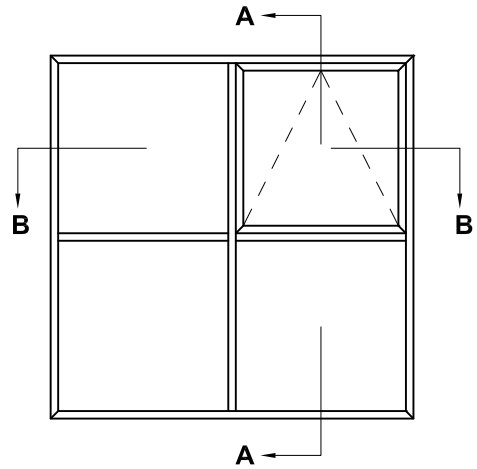
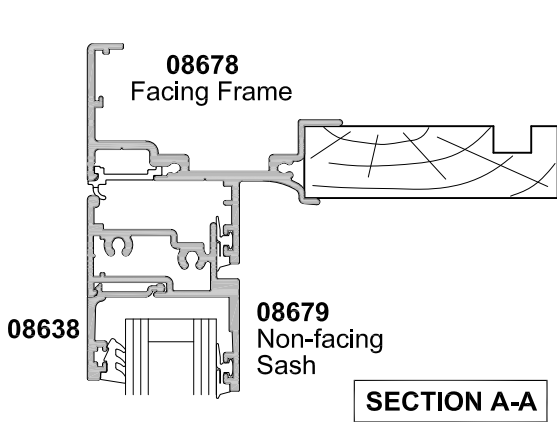


**METRO SERIES
AWNING WINDOW
INTERNAL BOX MULLION / TRANSOM
CROSS SECTION**

CAD REF. VMAW03-0

DATE
01.06.11

SCALE
1:2



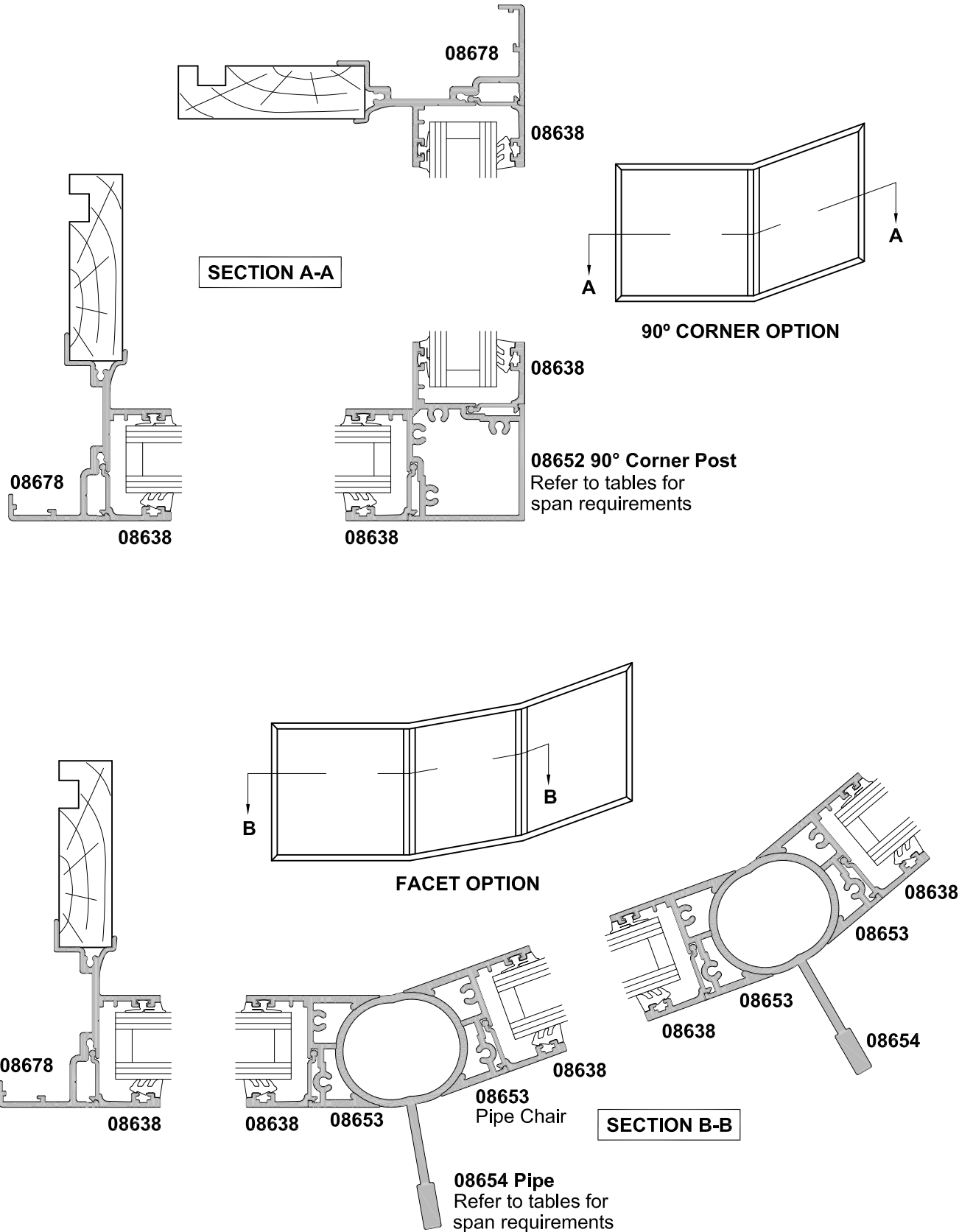


**METRO SERIES
AWNING WINDOW
90° CORNER WINDOW, FACET WINDOW
CROSS SECTION**

CAD REF. VMAW04-0

DATE
01.06.11

SCALE
1:2



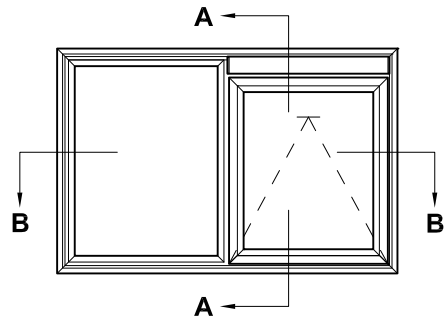
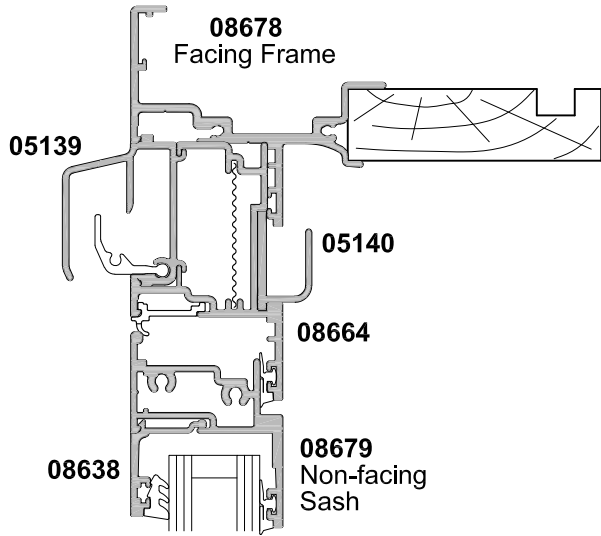


**METRO SERIES
AWNING WINDOW
VENTED SASH AND AEROVENT
CROSS SECTION**

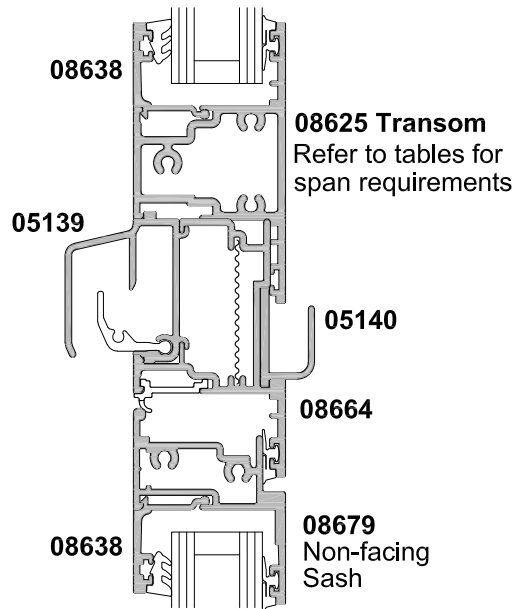
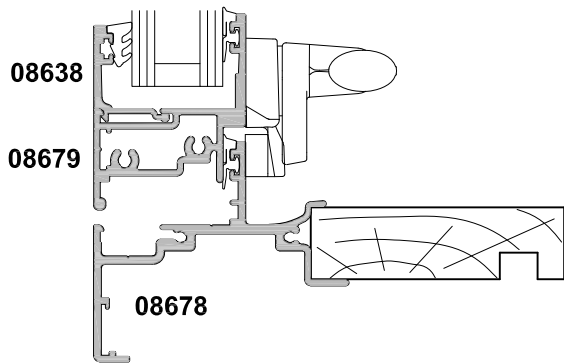
CAD REF. VMAW05-0

DATE
01.06.18

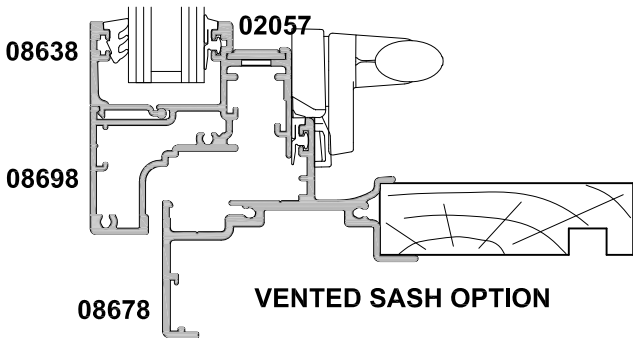
SCALE
1:2



SECTION A-A

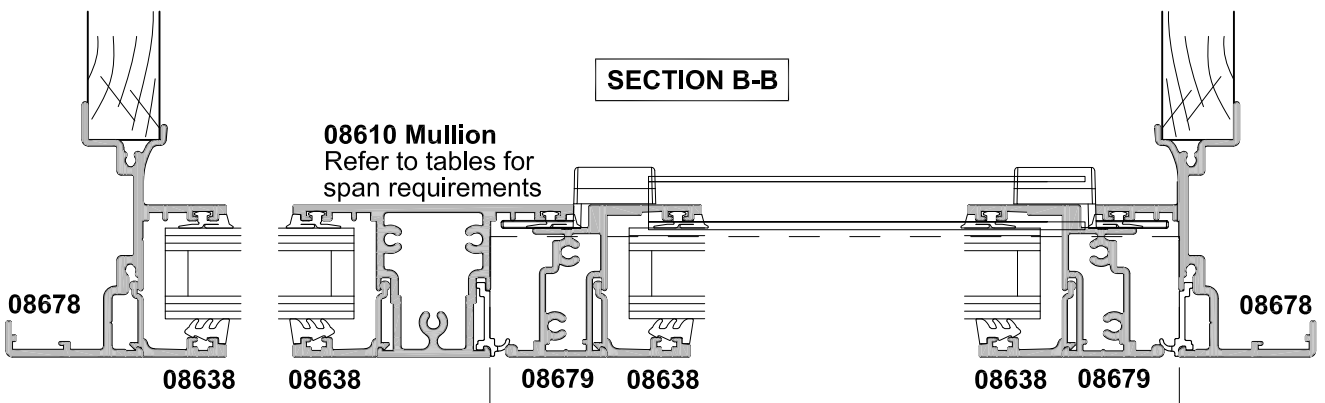


AEROVENT AT TRANSOM OPTION



VENTED SASH OPTION

SECTION B-B





**METRO SERIES
AWNING WINDOW
VENTIENT
CROSS SECTION**

CAD REF. VMAW06-0

DATE
01.08.18

SCALE
1:2

