

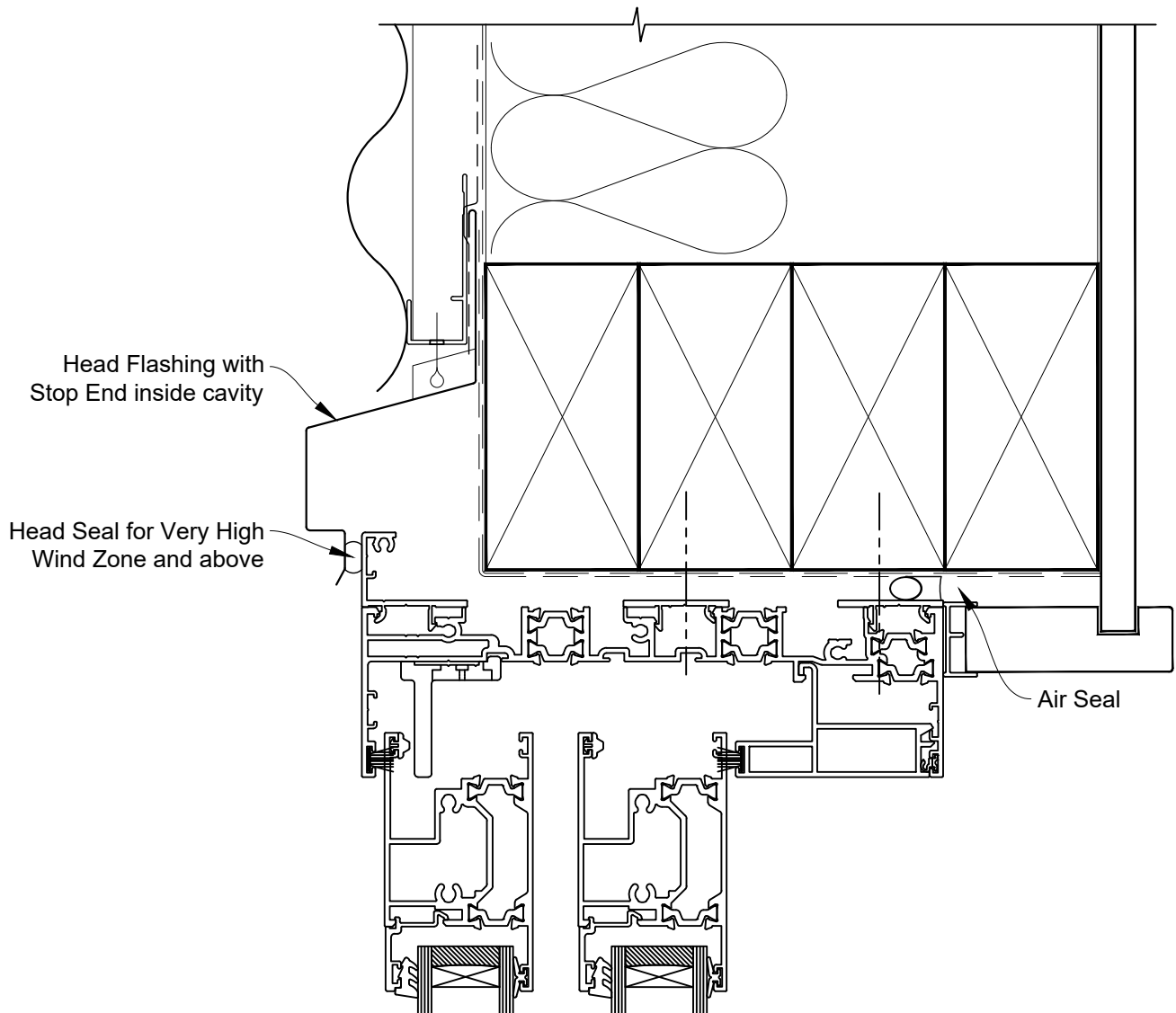


# INSTALLATION DETAIL - ARCHITECTURAL THERMAL HEART 171mm SLIDING DOOR ON PROFILE METAL CAVITY CONSTRUCTION

Date: 01.09.23

Scale: 1:2

CAD Ref.: TA171SDPM-CH



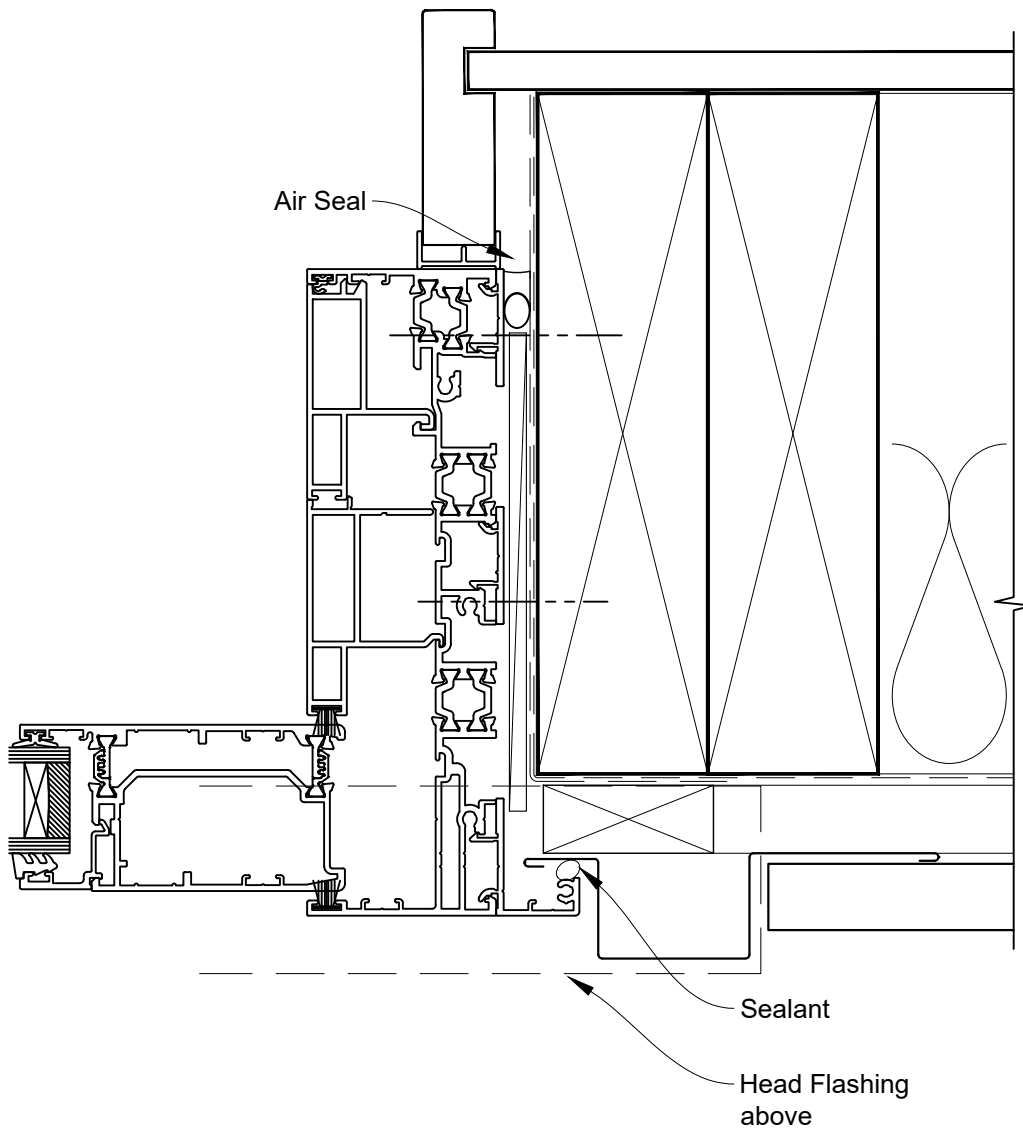


# INSTALLATION DETAIL - ARCHITECTURAL THERMAL HEART 171mm SLIDING DOOR ON PROFILE METAL CAVITY CONSTRUCTION

Date: 01.09.23

Scale: 1:2

CAD Ref.: TA171SDPM-CJ





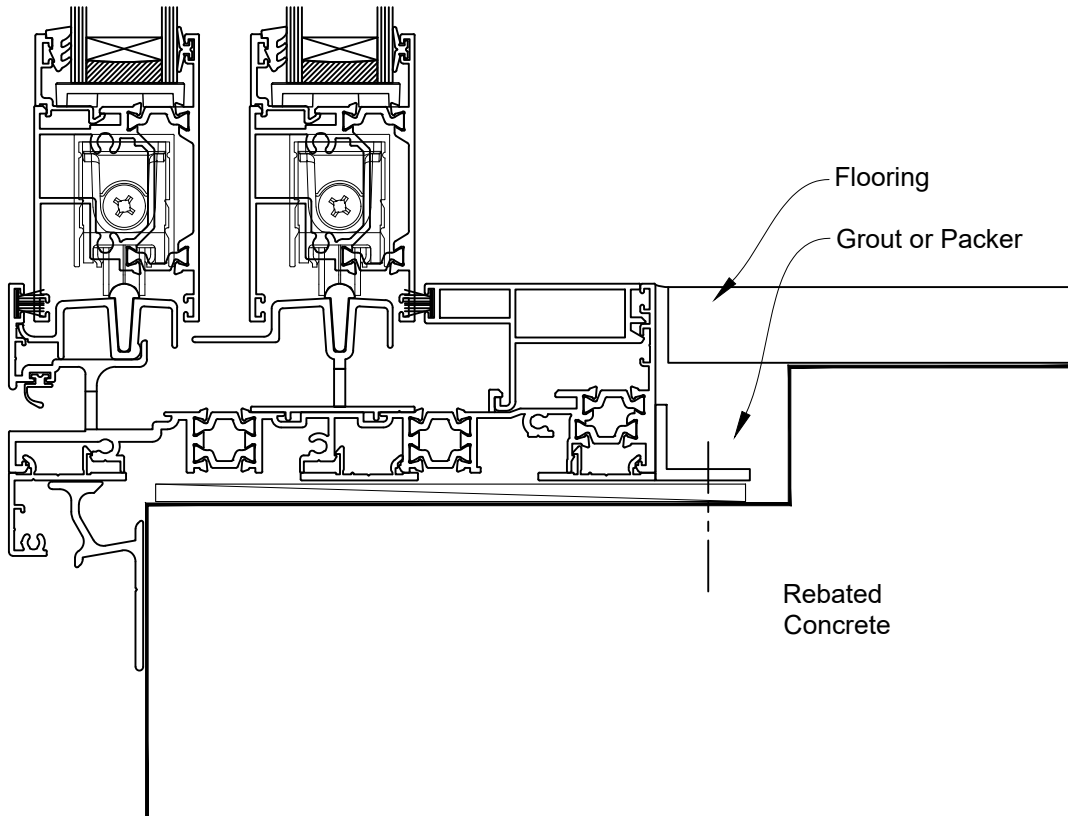
# INSTALLATION DETAIL - ARCHITECTURAL THERMAL HEART 171mm SLIDING DOOR ON PROFILE METAL CAVITY CONSTRUCTION

Date: 01.09.23

Scale: 1:2

CAD Ref.: TA171SDPM-CS

## FACING INFILL OPTION





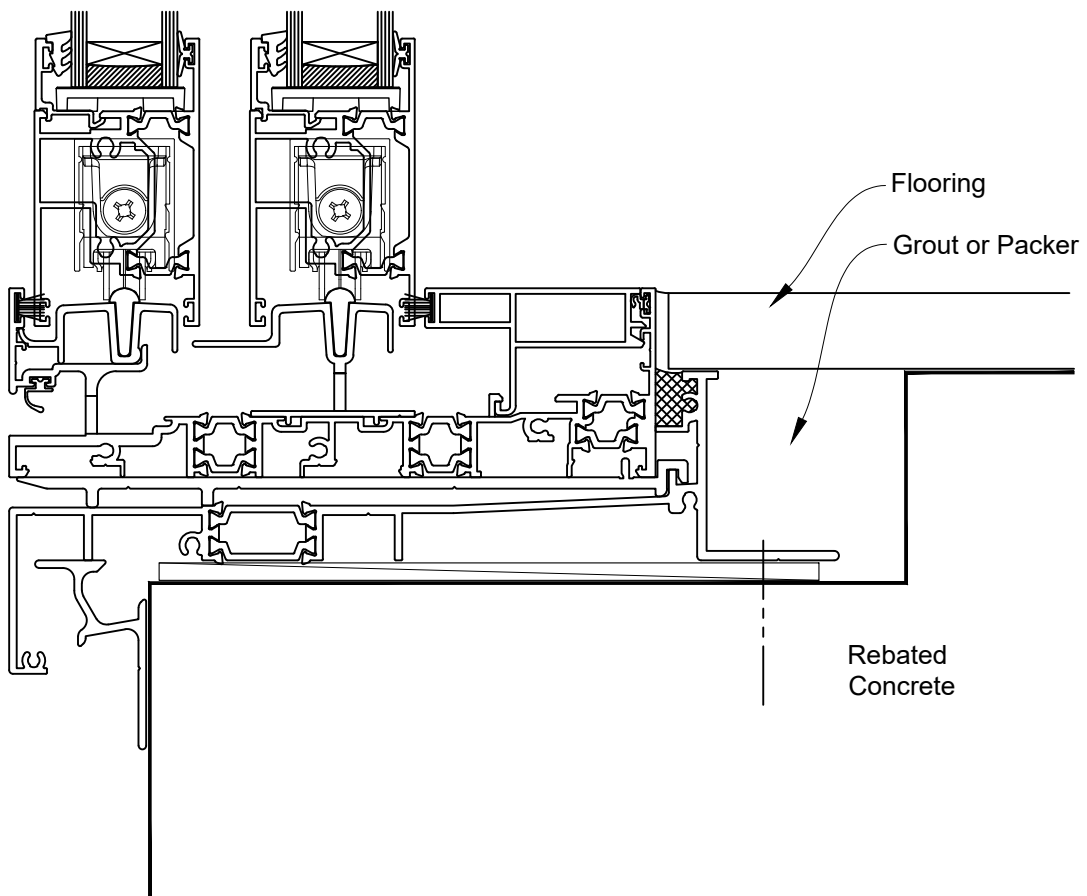
# INSTALLATION DETAIL - ARCHITECTURAL THERMAL HEART 171mm SLIDING DOOR ON PROFILE METAL CAVITY CONSTRUCTION

Date: 01.09.23

Scale: 1:2

CAD Ref.: TA171SDPM-CS2

## SILL TRAY OPTION



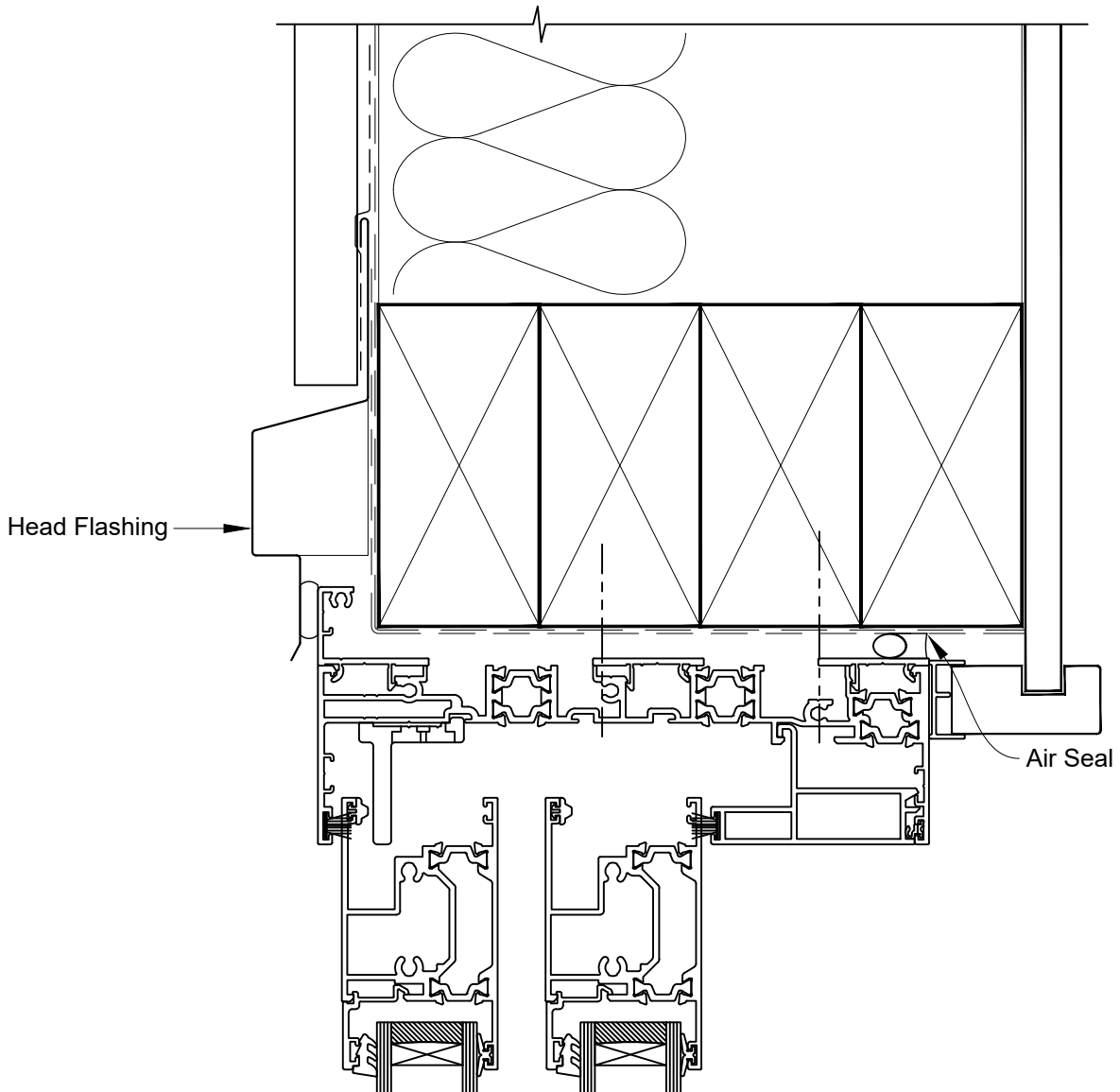


# INSTALLATION DETAIL - ARCHITECTURAL THERMAL HEART 171mm SLIDING DOOR ON PROFILE METAL DIRECT FIXED CLADDING

Date: 01.09.23

Scale: 1:2

CAD Ref.: TA171SDPM-DH



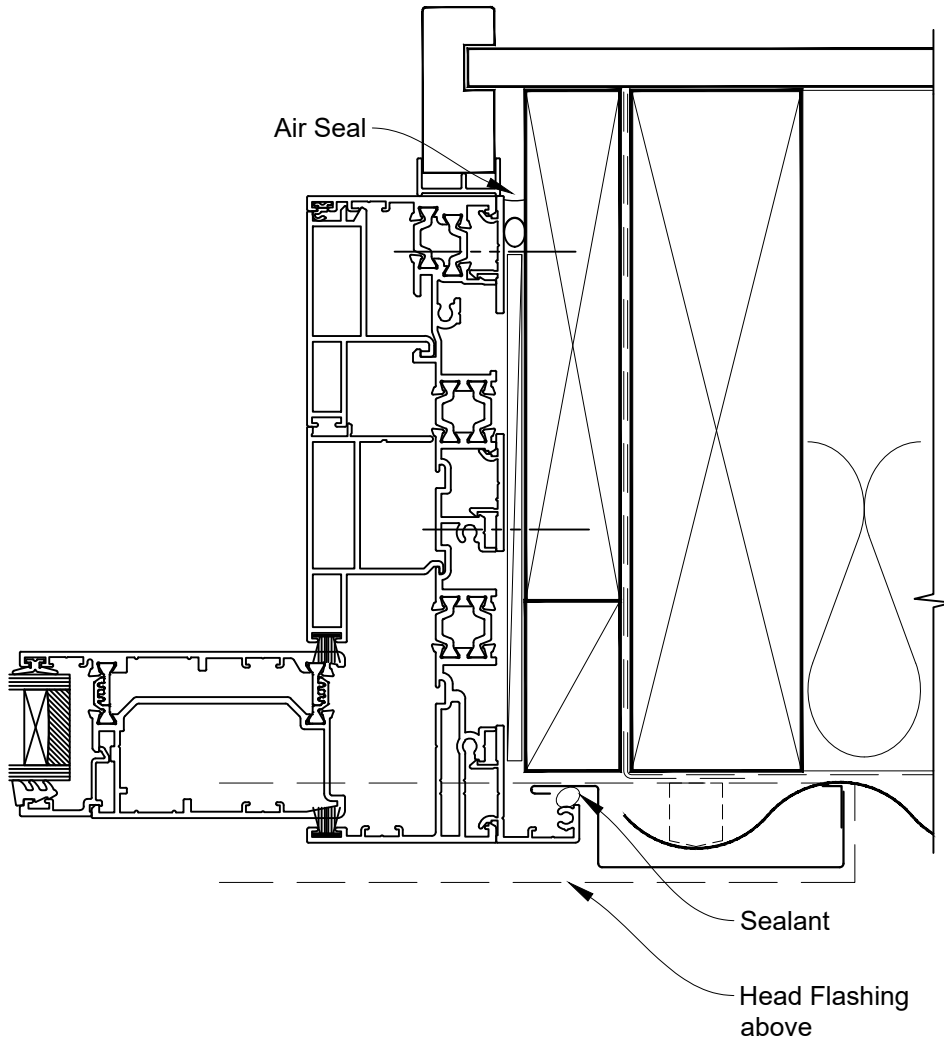


# INSTALLATION DETAIL - ARCHITECTURAL THERMAL HEART 171mm SLIDING DOOR ON PROFILE METAL DIRECT FIXED CLADDING

Date: 01.09.23

Scale: 1:2

CAD Ref.: TA171SDPM-DJ





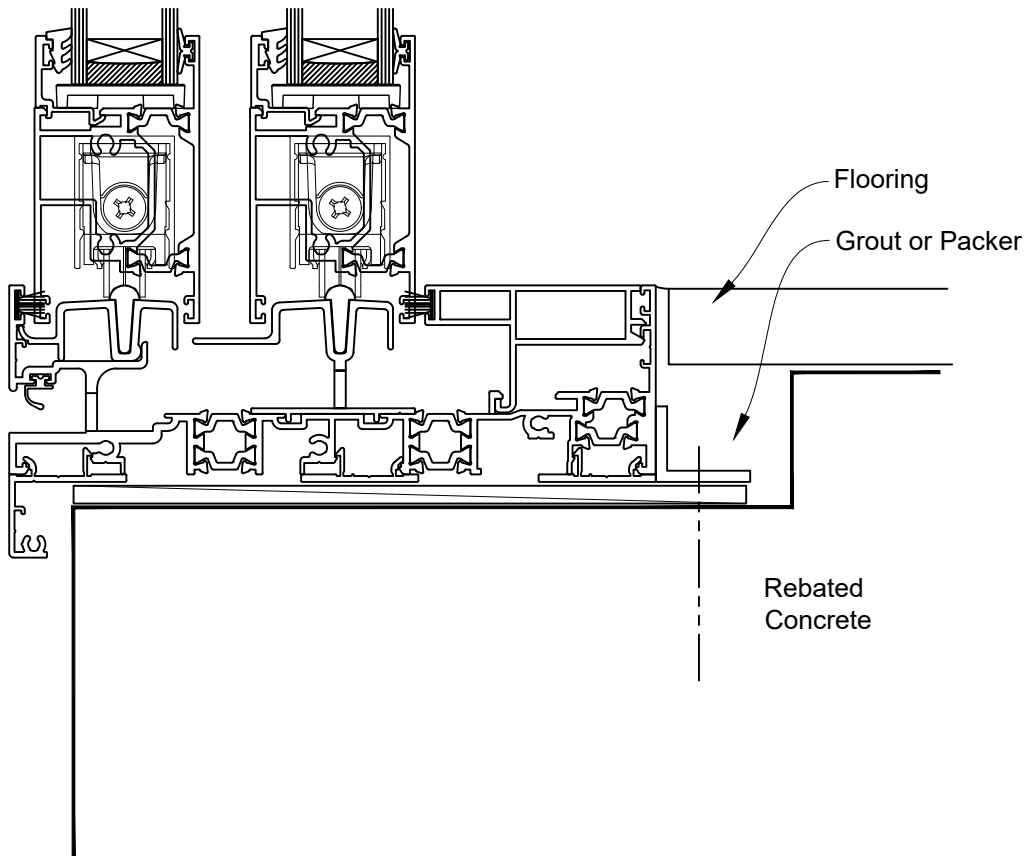
# INSTALLATION DETAIL - ARCHITECTURAL THERMAL HEART 171mm SLIDING DOOR ON PROFILE METAL DIRECT FIXED CLADDING

Date: 01.09.23

Scale: 1:2

CAD Ref.: TA171SDPM-DS

## FACING INFILL OPTION





# INSTALLATION DETAIL - ARCHITECTURAL THERMAL HEART 171mm SLIDING DOOR ON PROFILE METAL DIRECT FIXED CLADDING

Date: 01.09.23

Scale: 1:2

CAD Ref.: TA171SDPM-DS2

## SILL TRAY OPTION

