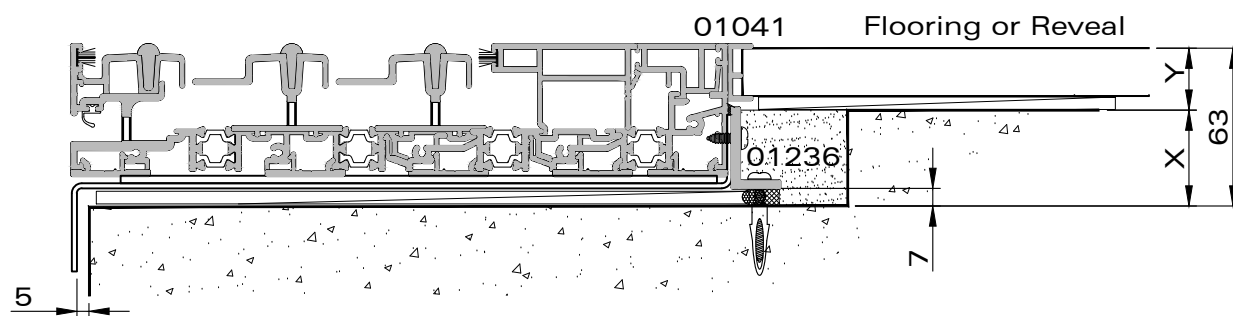
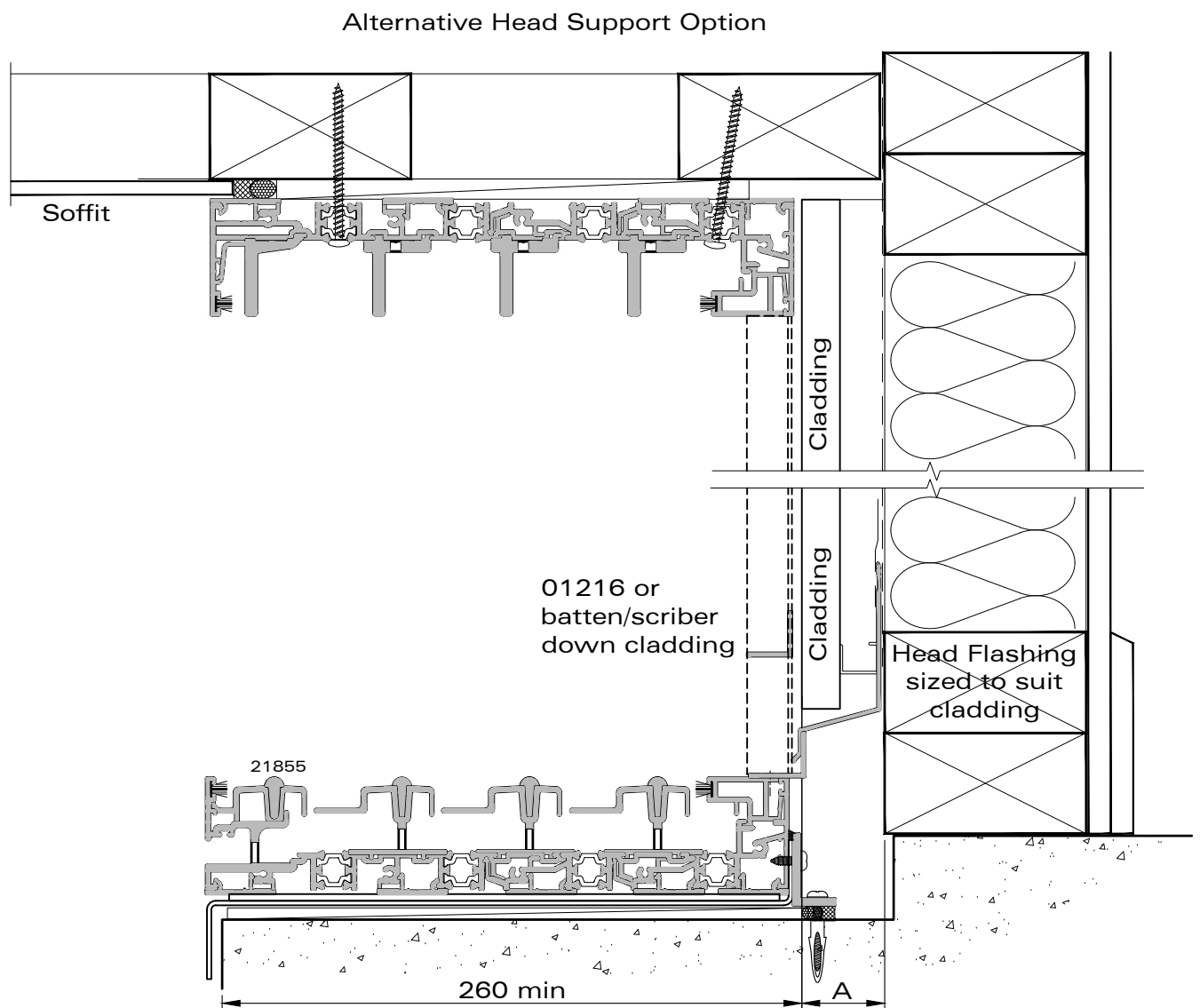
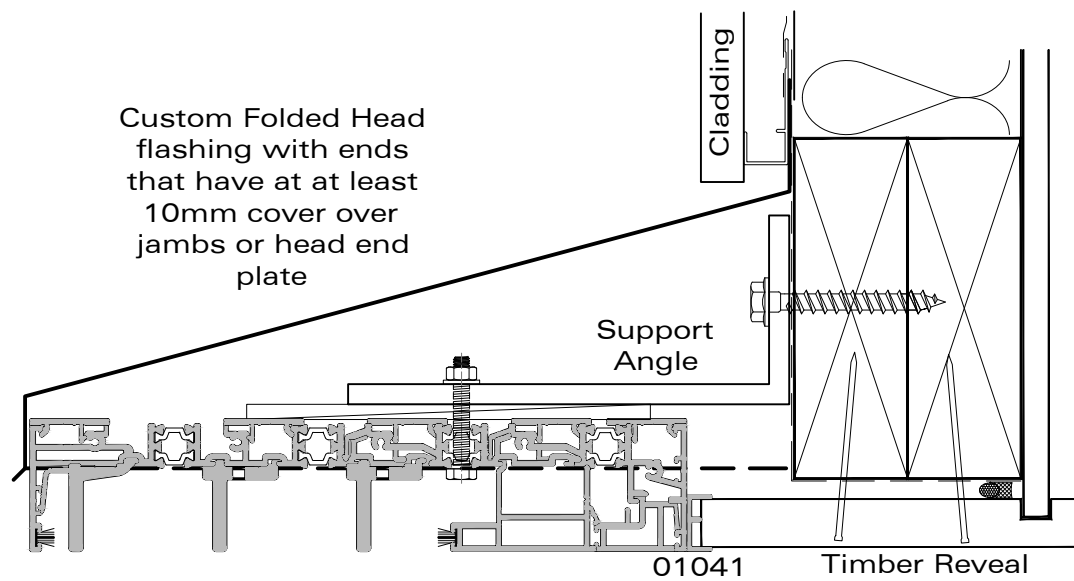
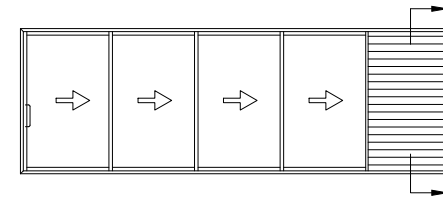


Details on this page are indicative only. Responsibility for flashing design and cladding junctions remain with the designer of the building. Support angles and built out framing will need to be engineered to suit the application.

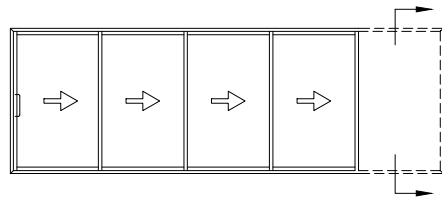


Rebate Height (X) = 63 - (Y) Flooring Thickness

Rebate Depth (B) = 260 + (A) Cladding Thickness

Horizontal details on AS12.8.18 can be adapted for the Multi Stacker Frames

NB. Technical specification subject to change without notice.



Details on this page are indicative only. Responsibility for flashing design and cladding junctions remain with the designer of the building.

it is optional whether a jamb frame is used inside the cavity. Refer to over wall Sectionals for ideas on detailing the frame outside of the cavity.

