

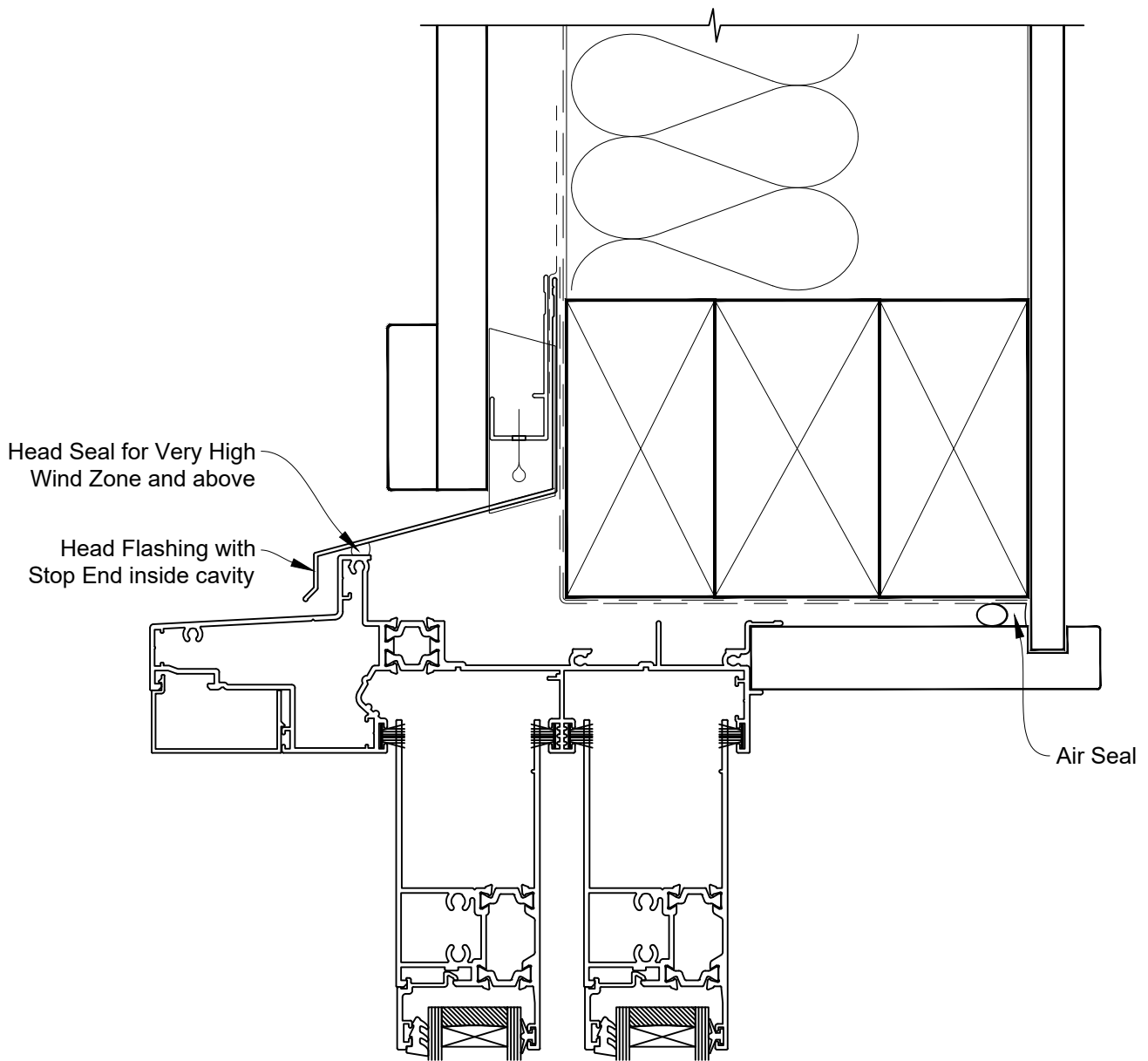


INSTALLATION DETAIL - RESIDENTIAL THERMAL HEART PROJECTING SLIDING DOOR FRAME ON BOARD & BATTEN CAVITY CONSTRUCTION

Date: 01.04.24

Scale: 1:2

CAD Ref.: TRPMDBB-CH



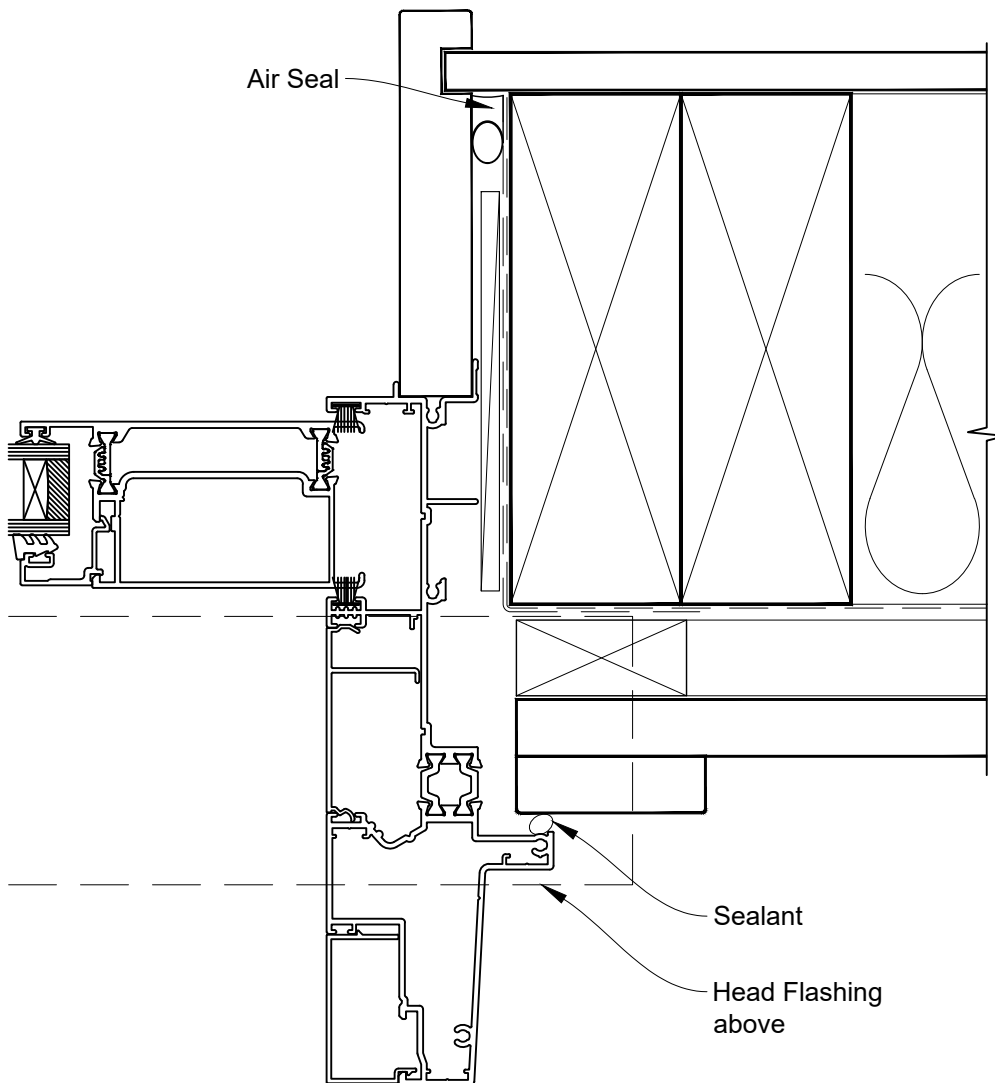


INSTALLATION DETAIL - RESIDENTIAL THERMAL HEART PROJECTING SLIDING DOOR FRAME ON BOARD & BATTEN CAVITY CONSTRUCTION

Date: 01.04.24

Scale: 1:2

CAD Ref.: TRPMDBB-CJ



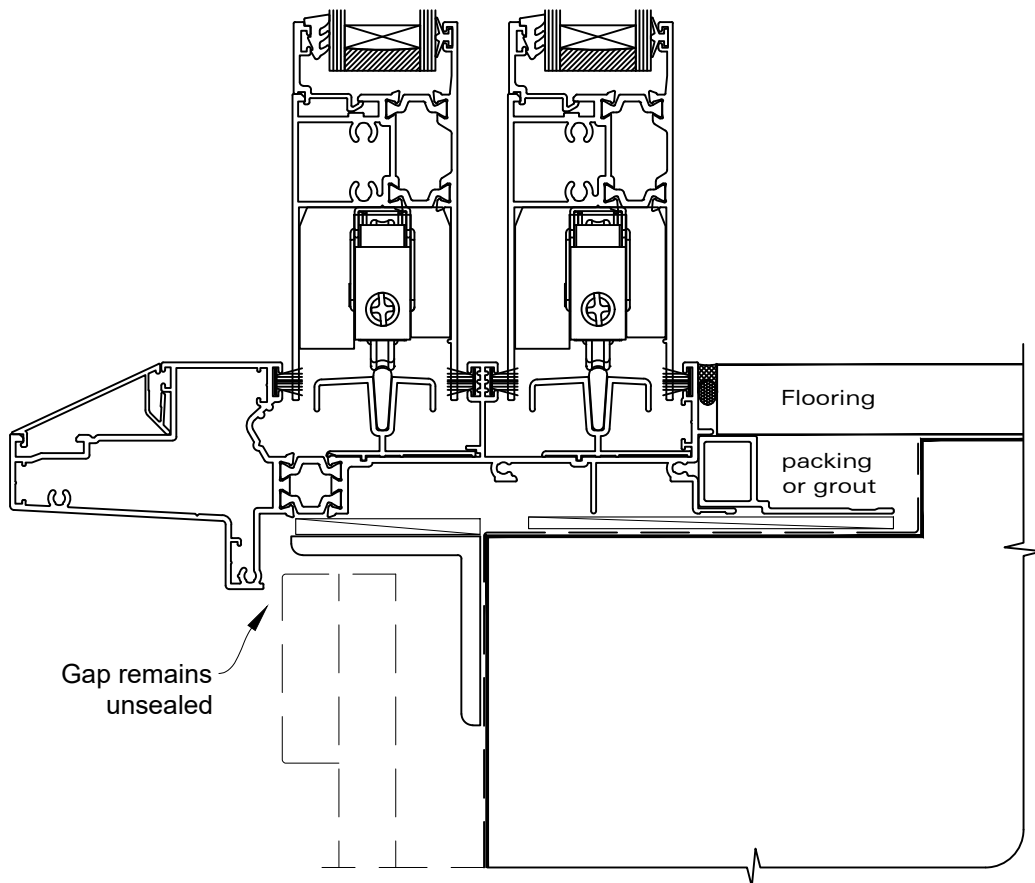


INSTALLATION DETAIL - RESIDENTIAL THERMAL HEART PROJECTING SLIDING DOOR FRAME ON BOARD & BATTEN CAVITY CONSTRUCTION

Date: 01.04.24

Scale: 1:2

CAD Ref.: TRPMDBB-CS



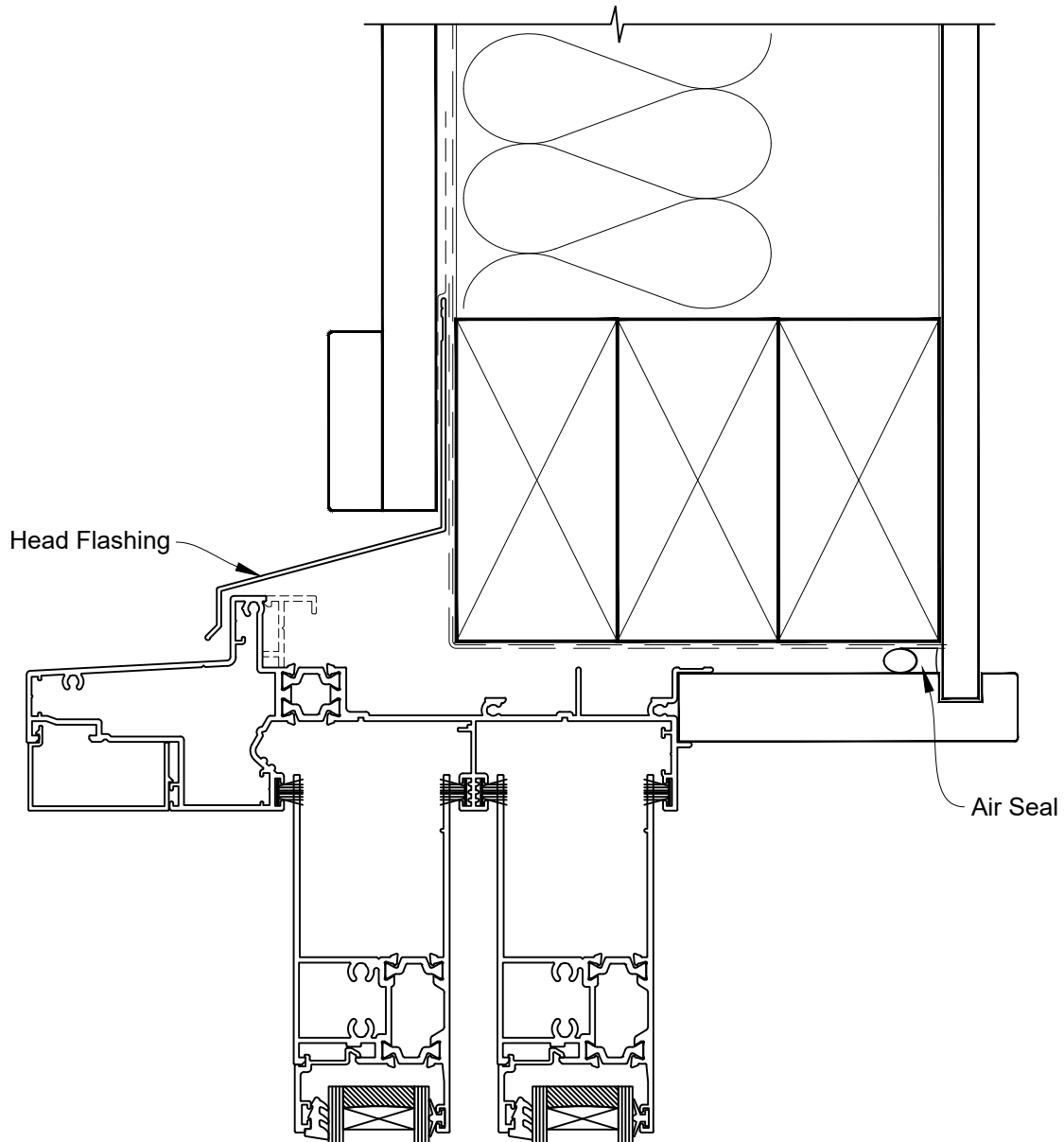


INSTALLATION DETAIL - RESIDENTIAL THERMAL HEART PROJECTING SLIDING DOOR FRAME ON BOARD & BATTEN DIRECT FIXED CLADDING

Date: 01.04.24

Scale: 1:2

CAD Ref.: TRPMDBB-DH



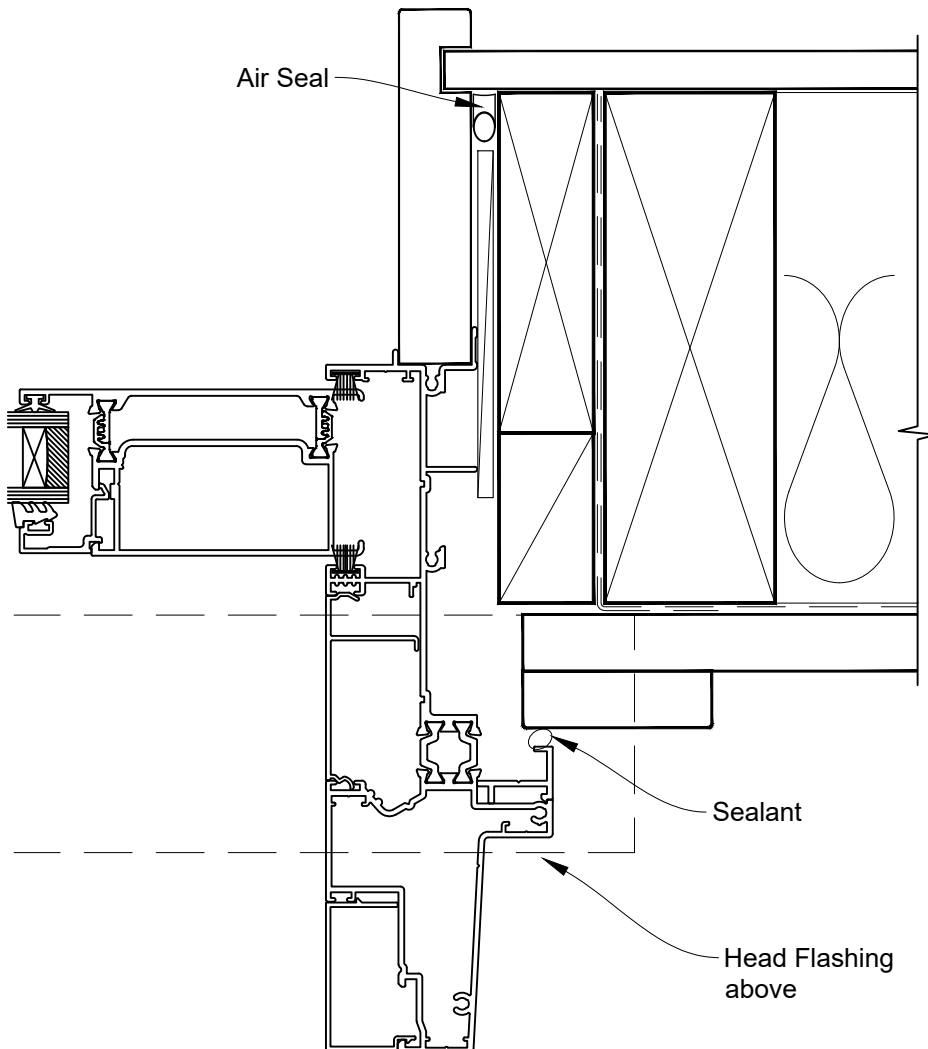


INSTALLATION DETAIL - RESIDENTIAL THERMAL HEART PROJECTING SLIDING DOOR FRAME ON BOARD & BATTEN DIRECT FIXED CLADDING

Date: 01.04.24

Scale: 1:2

CAD Ref.: TRPMDBB-DJ





INSTALLATION DETAIL - RESIDENTIAL THERMAL HEART PROJECTING SLIDING DOOR FRAME ON BOARD & BATTEN DIRECT FIXED CLADDING

Date: 01.04.24

Scale: 1:2

CAD Ref.: TRPMDBB-DS

