

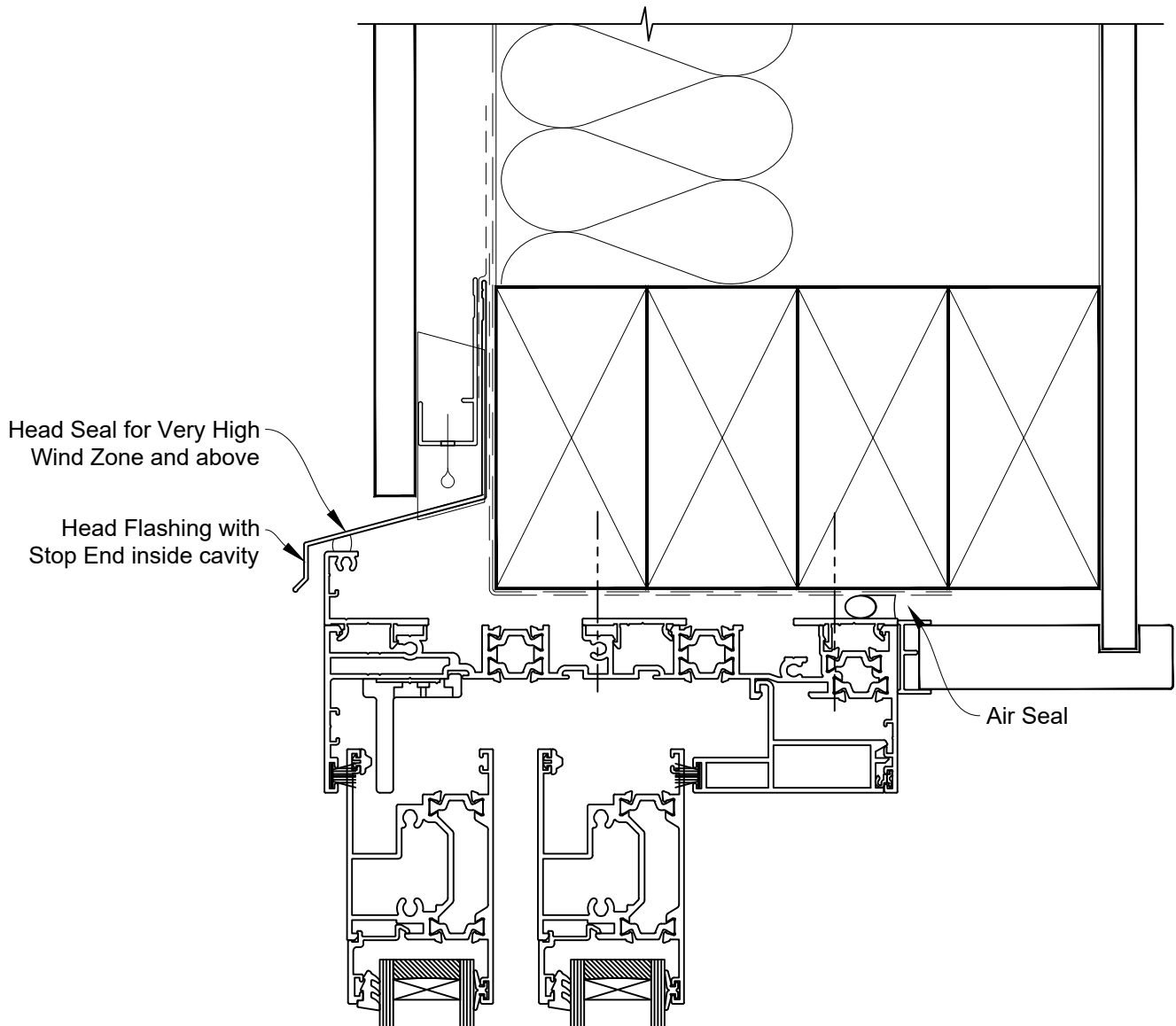


# INSTALLATION DETAIL - ARCHITECTURAL THERMAL HEART 171mm SLIDING WINDOW ON FLAT SHEET CAVITY CONSTRUCTION

Date: 01.09.23

Scale: 1:2

CAD Ref.: TA171SWFS-CH



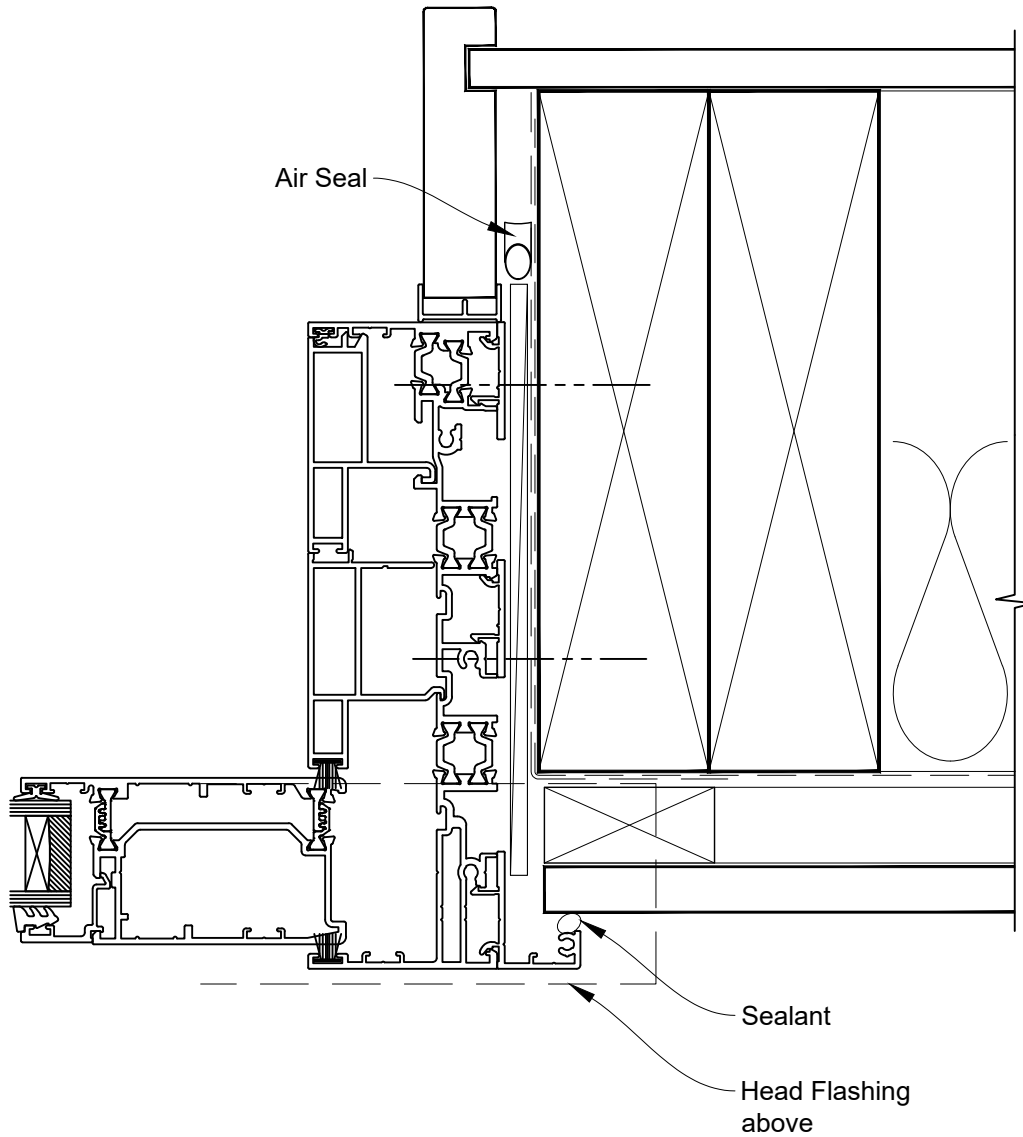


# INSTALLATION DETAIL - ARCHITECTURAL THERMAL HEART 171mm SLIDING WINDOW ON FLAT SHEET CAVITY CONSTRUCTION

Date: 01.09.23

Scale: 1:2

CAD Ref.: TA171SWFS-CJ





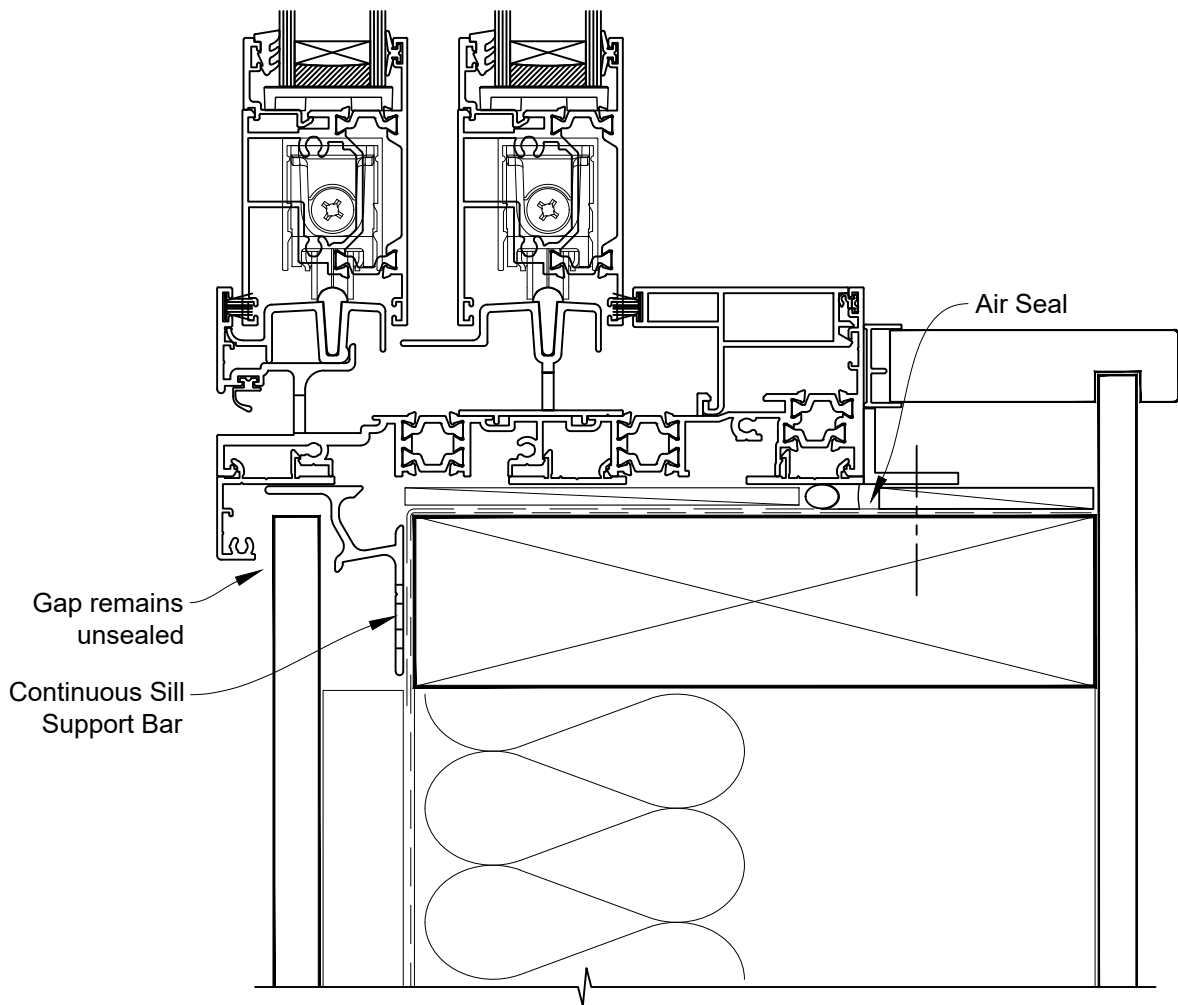
# INSTALLATION DETAIL - ARCHITECTURAL THERMAL HEART 171mm SLIDING WINDOW ON FLAT SHEET CAVITY CONSTRUCTION

Date: 01.09.23

Scale: 1:2

CAD Ref.: TA171SWFS-CS

## FACING INFILL OPTION





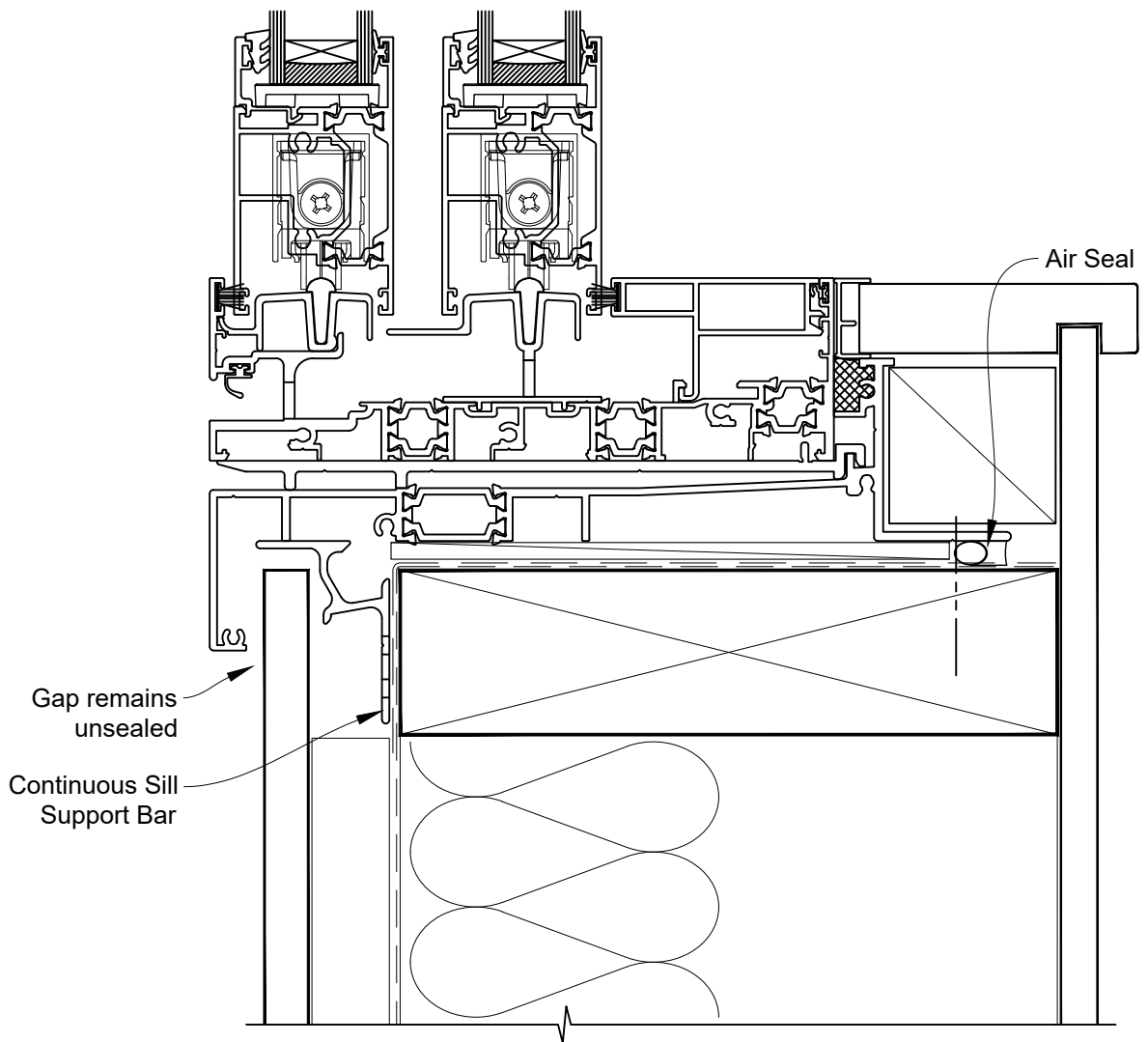
# INSTALLATION DETAIL - ARCHITECTURAL THERMAL HEART 171mm SLIDING WINDOW ON FLAT SHEET CAVITY CONSTRUCTION

Date: 01.09.23

Scale: 1:2

CAD Ref.: TA171SWFS-CS2

## SILL TRAY OPTION



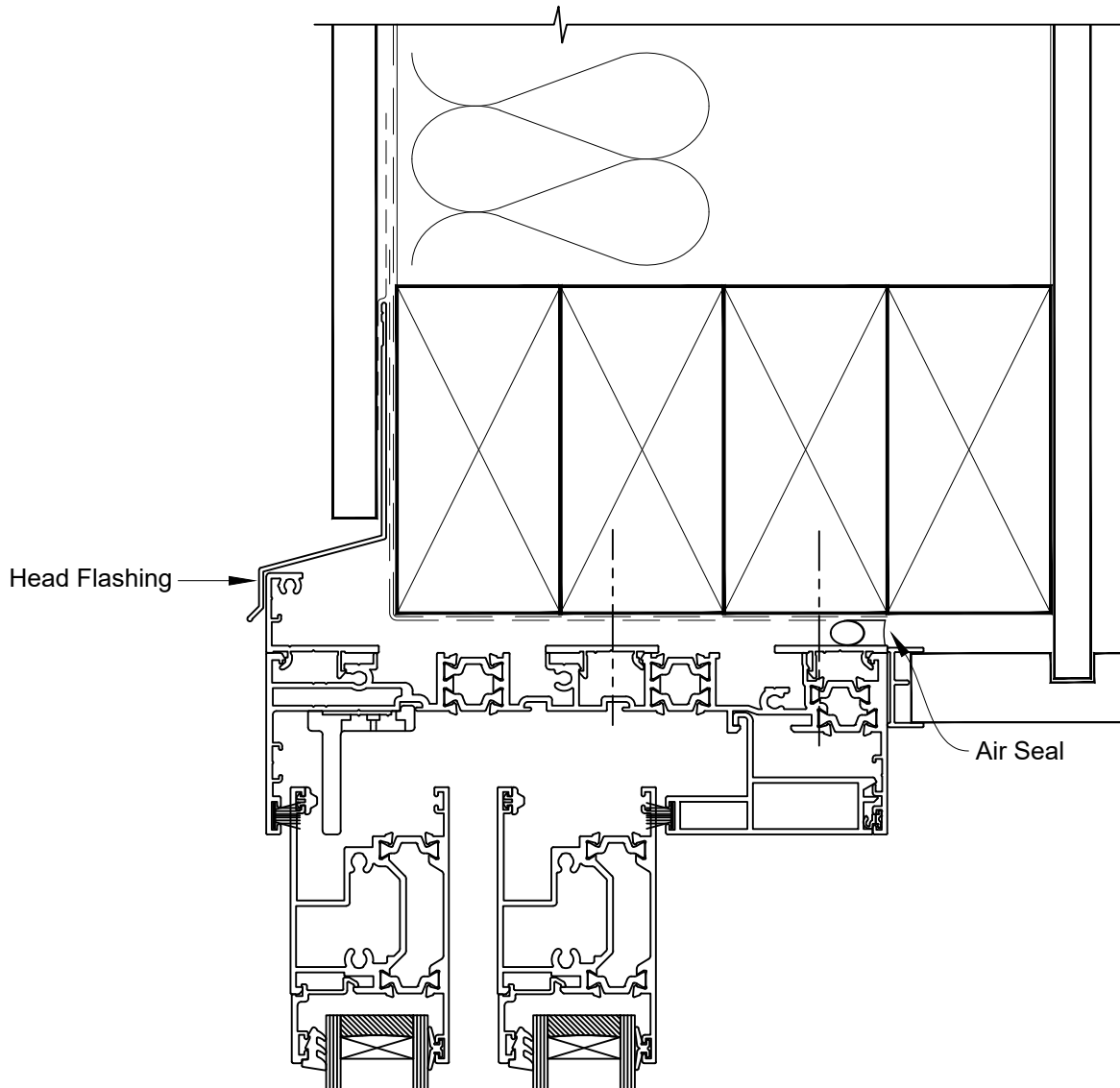


# INSTALLATION DETAIL - ARCHITECTURAL THERMAL HEART 171mm SLIDING WINDOW ON FLAT SHEET DIRECT FIXED CLADDING

Date: 01.09.23

Scale: 1:2

CAD Ref.: TA171SWFS-DH



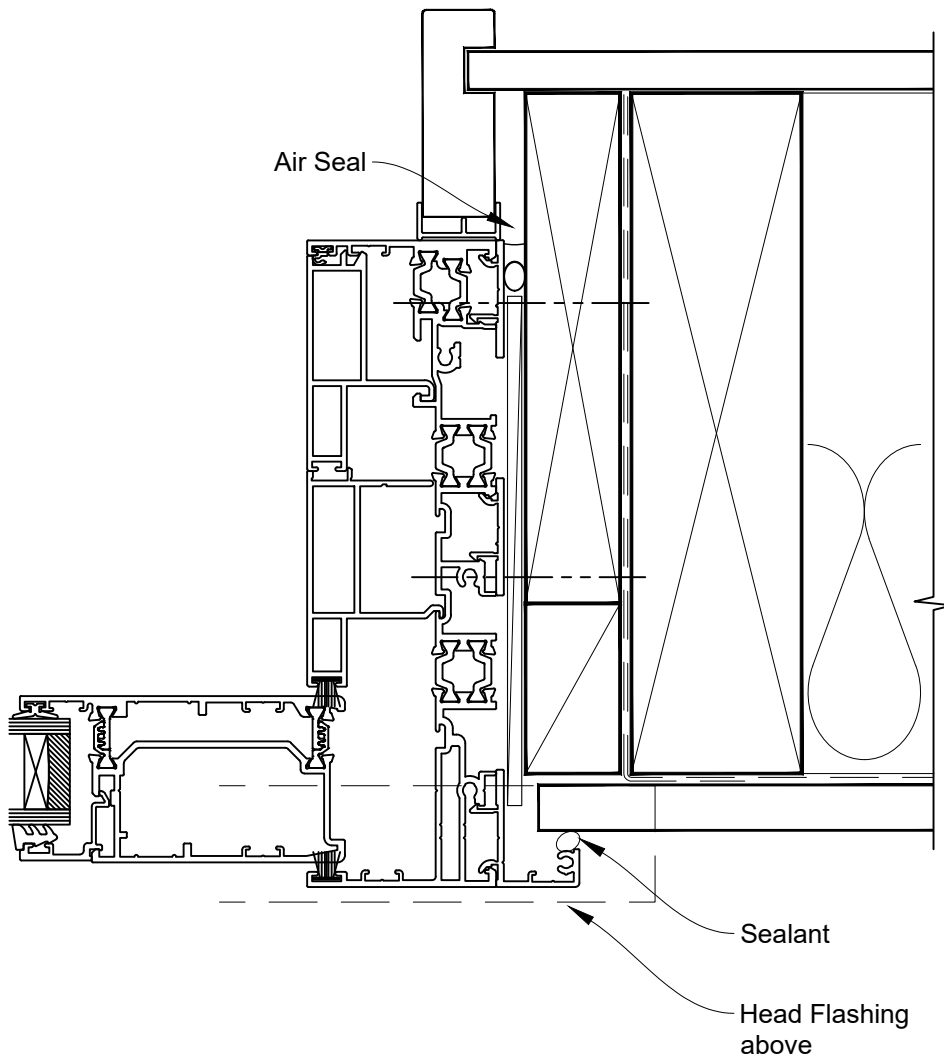


# INSTALLATION DETAIL - ARCHITECTURAL THERMAL HEART 171mm SLIDING WINDOW ON FLAT SHEET DIRECT FIXED CLADDING

Date: 01.09.23

Scale: 1:2

CAD Ref.: TA171SWFS-DJ





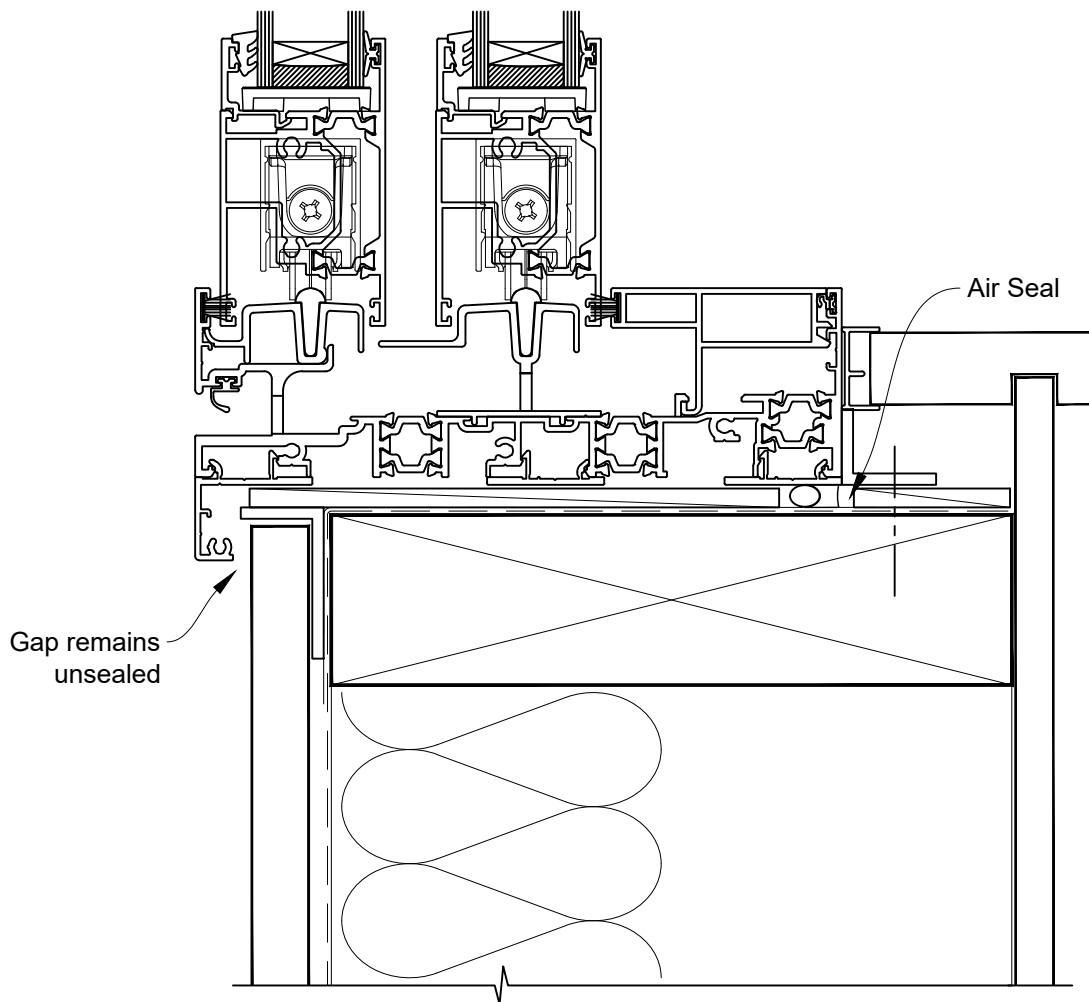
# INSTALLATION DETAIL - ARCHITECTURAL THERMAL HEART 171mm SLIDING WINDOW ON FLAT SHEET DIRECT FIXED CLADDING

Date: 01.09.23

Scale: 1:2

CAD Ref.: TA171SWFS-DS

## FACING INFILL OPTION





# INSTALLATION DETAIL - ARCHITECTURAL THERMAL HEART 171mm SLIDING WINDOW ON FLAT SHEET DIRECT FIXED CLADDING

Date: 01.09.23

Scale: 1:2

CAD Ref.: TA171SWFS-DS2

## SILL TRAY OPTION

