

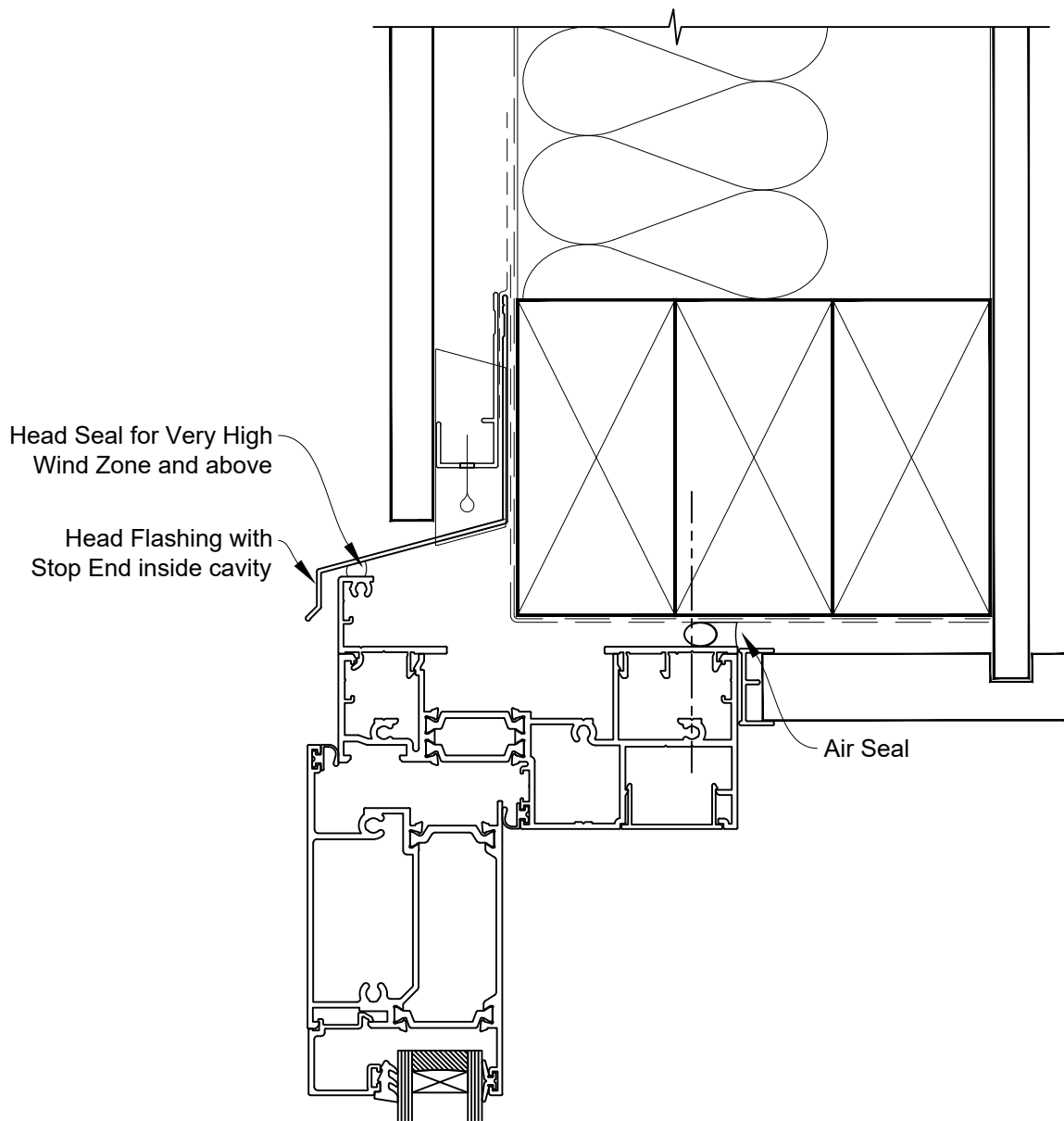


INSTALLATION DETAIL - ARCHITECTURAL THERMAL HEART HINGED DOOR OPEN OUT ON FLAT SHEET CAVITY CONSTRUCTION

Date: 01.09.23

Scale: 1:2

CAD Ref.: TAHOFS-CH



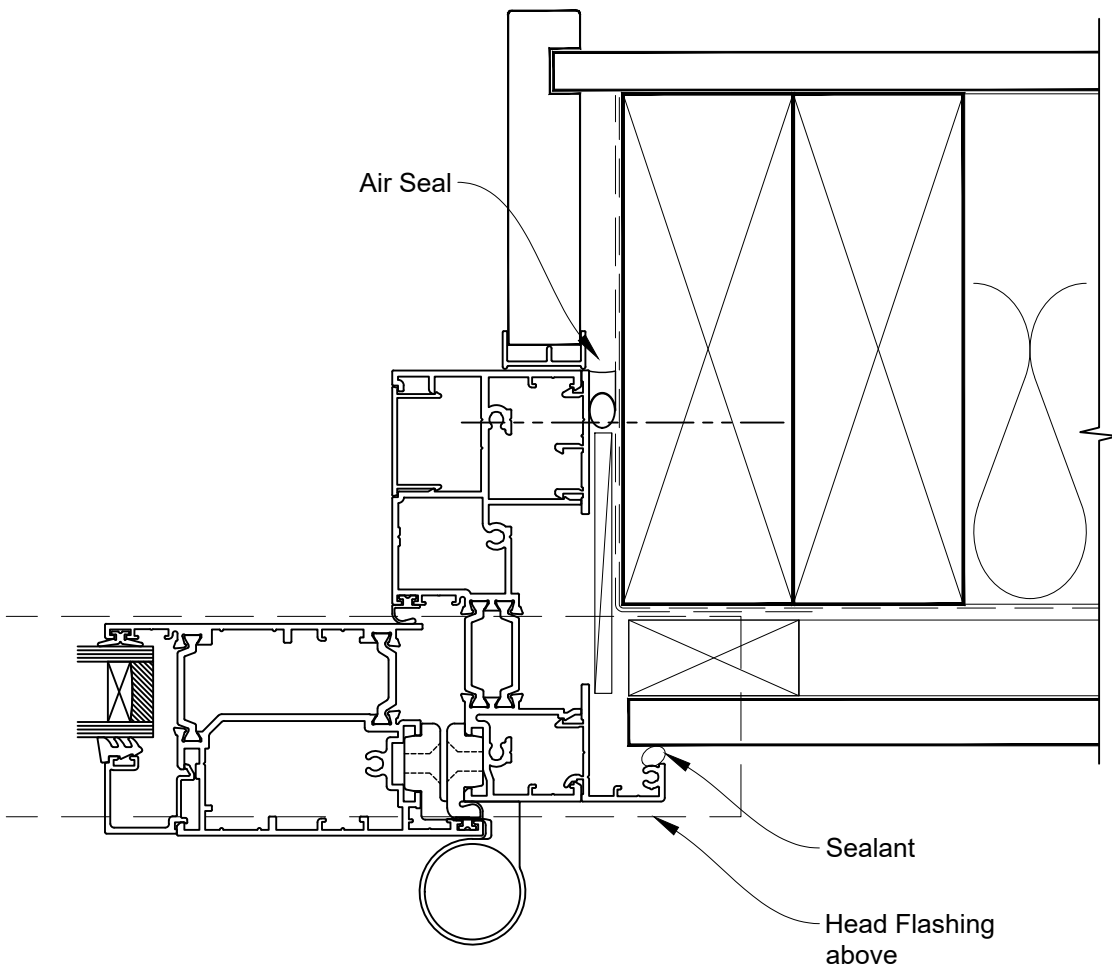


INSTALLATION DETAIL - ARCHITECTURAL THERMAL HEART HINGED DOOR OPEN OUT ON FLAT SHEET CAVITY CONSTRUCTION

Date: 01.09.23

Scale: 1:2

CAD Ref.: TAHOFS-CJ





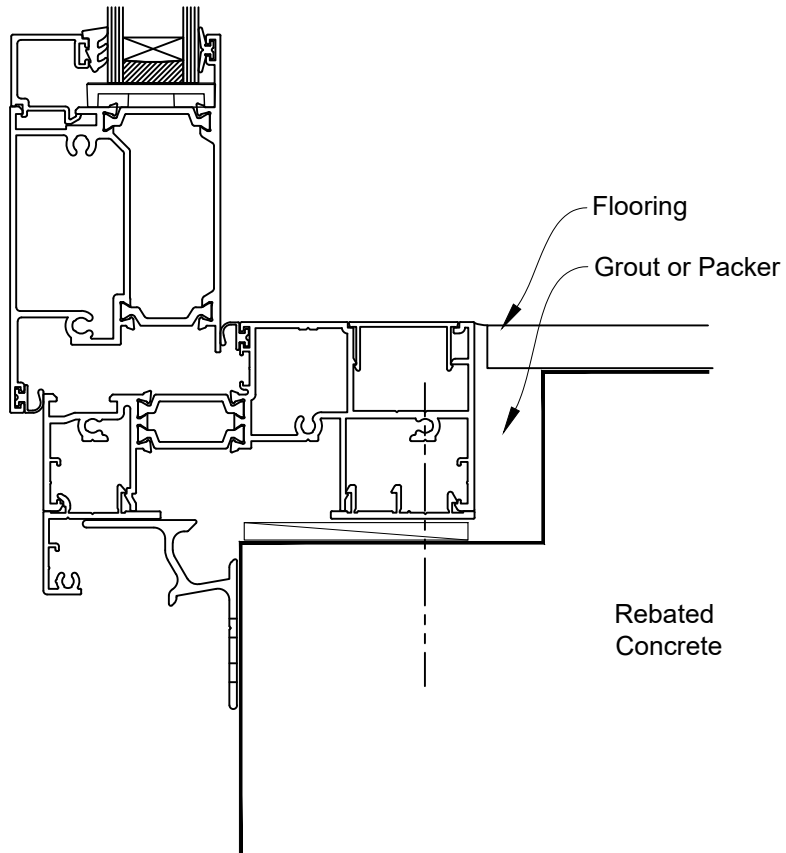
INSTALLATION DETAIL - ARCHITECTURAL THERMAL HEART HINGED DOOR OPEN OUT ON FLAT SHEET CAVITY CONSTRUCTION

Date: 01.09.23

Scale: 1:2

CAD Ref.: TAHOFS-CS

FLANGED BOTTOM RAIL OPTION ON FACING INFILL





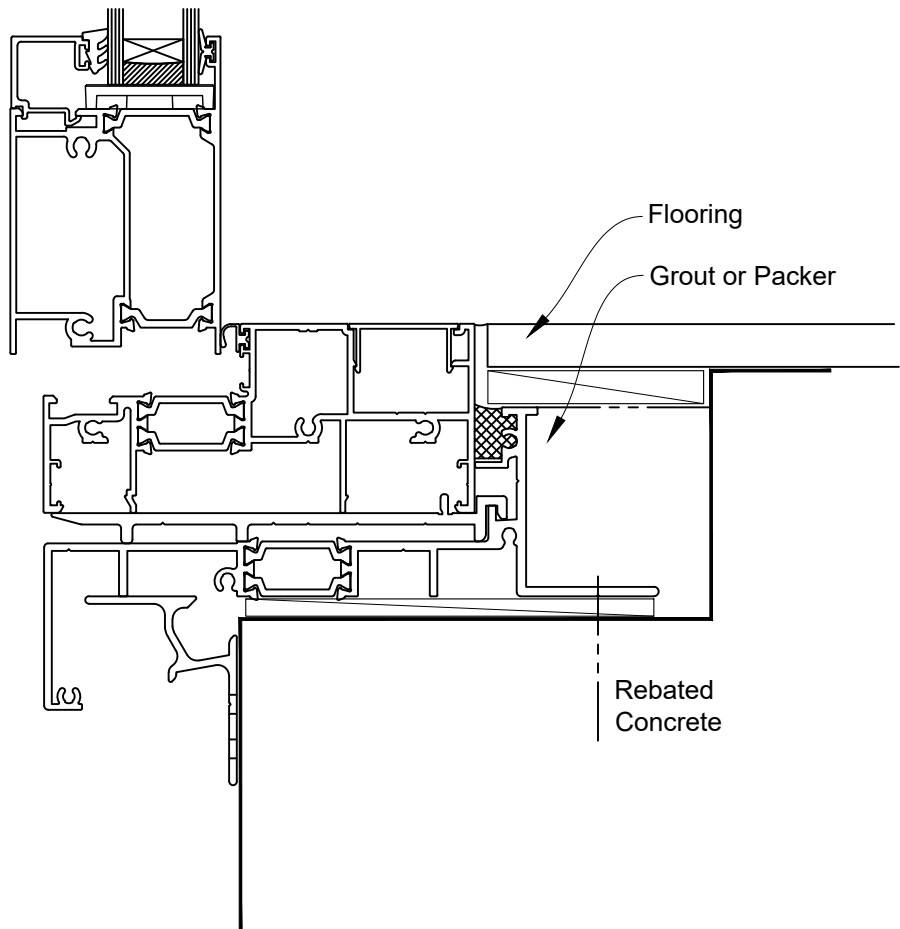
INSTALLATION DETAIL - ARCHITECTURAL THERMAL HEART HINGED DOOR OPEN OUT ON FLAT SHEET CAVITY CONSTRUCTION

Date: 01.09.23

Scale: 1:2

CAD Ref.: TAHOFS-CS2

FLUSH BOTTOM RAIL OPTION ON SILL TRAY



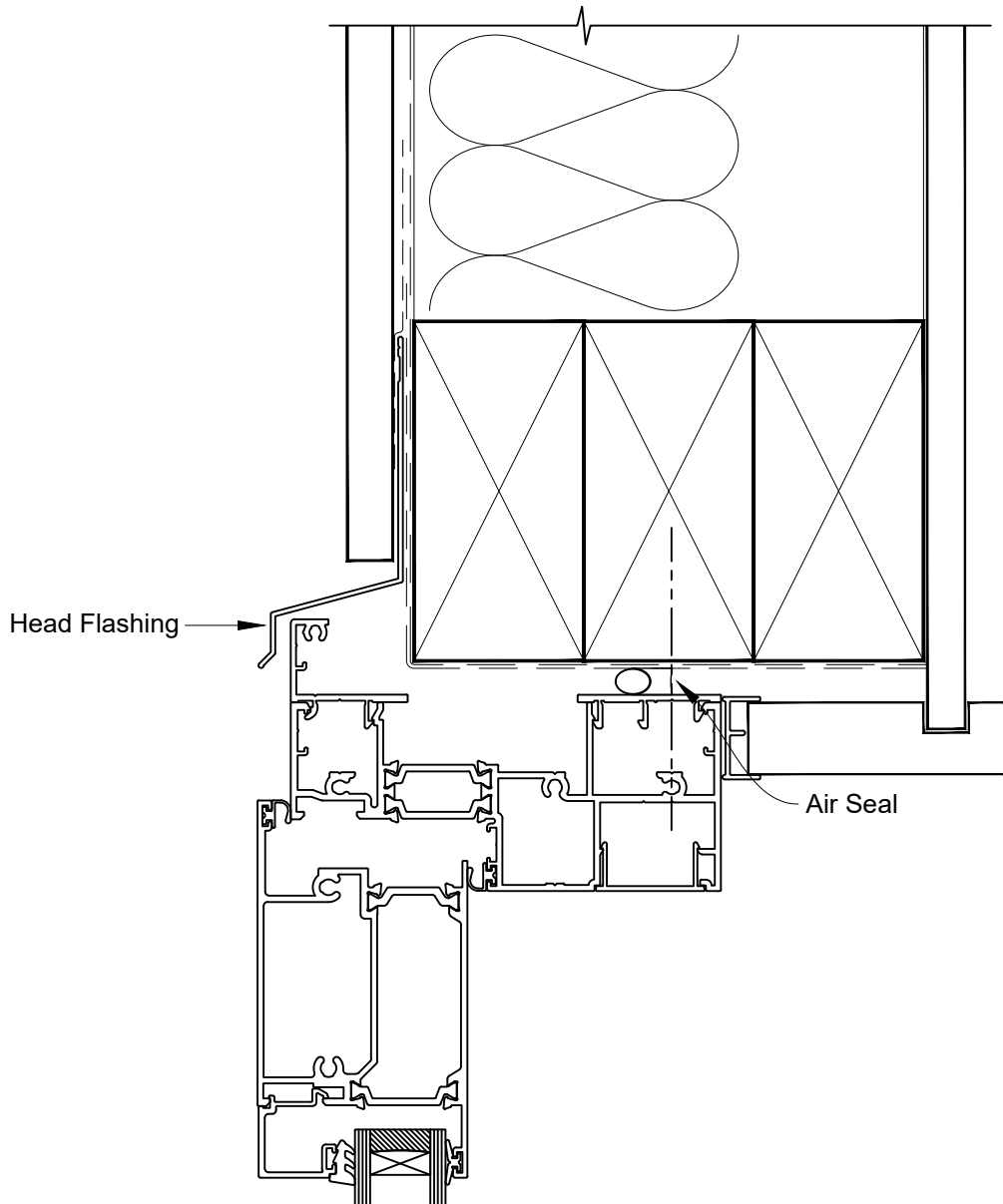


INSTALLATION DETAIL - ARCHITECTURAL THERMAL HEART HINGED DOOR OPEN OUT ON FLAT SHEET DIRECT FIXED CLADDING

Date: 01.09.23

Scale: 1:2

CAD Ref.: TAHOFS-DH



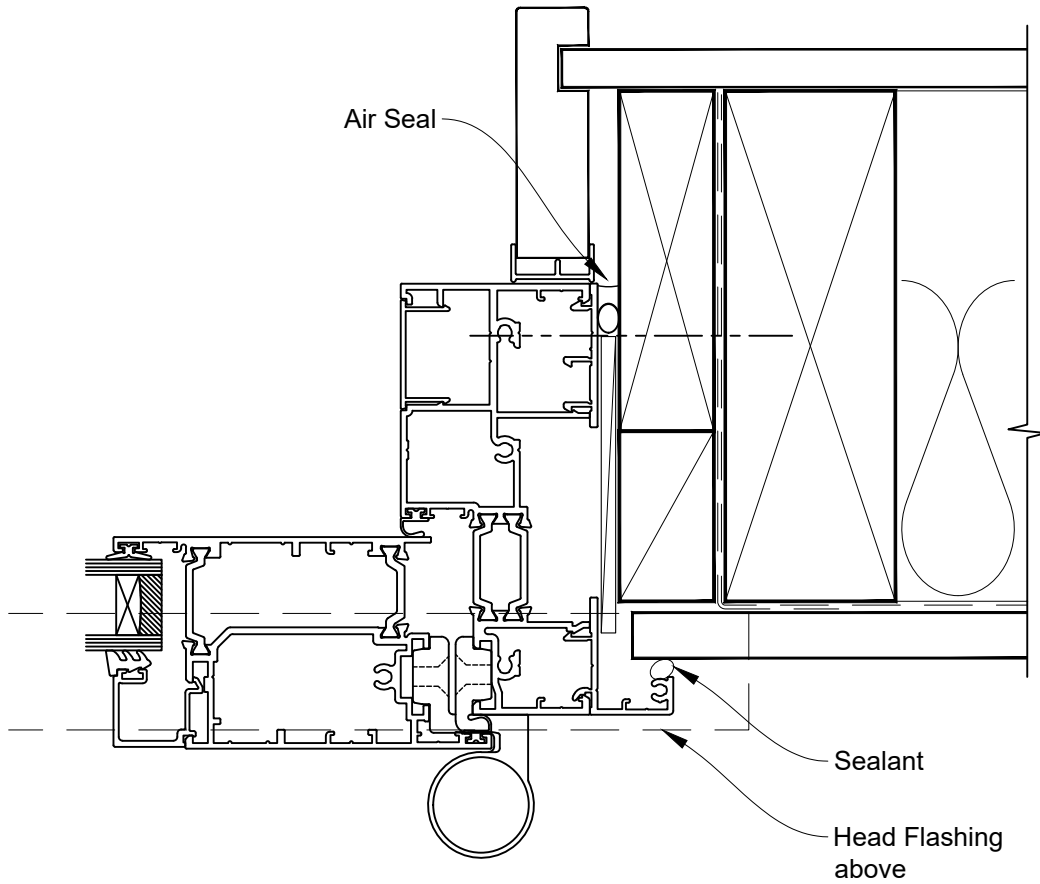


INSTALLATION DETAIL - ARCHITECTURAL THERMAL HEART HINGED DOOR OPEN OUT ON FLAT SHEET DIRECT FIXED CLADDING

Date: 01.09.23

Scale: 1:2

CAD Ref.: TAHOFS-DJ





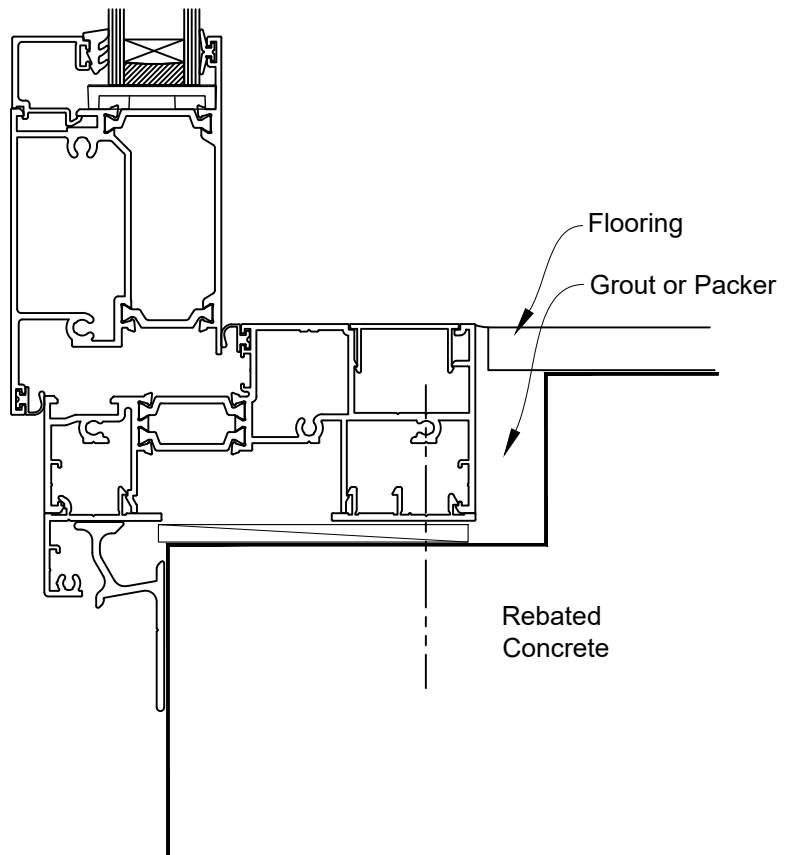
INSTALLATION DETAIL - ARCHITECTURAL THERMAL HEART HINGED DOOR OPEN OUT ON FLAT SHEET DIRECT FIXED CLADDING

Date: 01.09.23

Scale: 1:2

CAD Ref.: TAHOFS-DS

FLANGED BOTTOM RAIL OPTION ON FACING INFILL





INSTALLATION DETAIL - ARCHITECTURAL THERMAL HEART HINGED DOOR OPEN OUT ON FLAT SHEET DIRECT FIXED CLADDING

Date: 01.09.23

Scale: 1:2

CAD Ref.: TAHOFS-DS2

FLUSH BOTTOM RAIL OPTION ON SILL TRAY

